

DS-PD2-D10P-W

Wireless 10m Pet Immune Dual Technology Detector



This product and - if applicable - the supplied accessories too are marked with "CE" and comply therefore with the applicable harmonized European standards listed under the RE Directive 2014/53/EU, the EMC Directive 2014/30/EU, the LVD Directive 2014/35/EU, the RoHS Directive 2011/65/EU.

Diagram References

A APPEARANCE AND COMPONENT

B REGISTER LOCALLY

Please register the detector within 90 seconds after it being powered on.

C REGISTER VIA APP

Please register the detector within 90 seconds after it being powered on.

D CHANGE INPUTS (PROGRAM INPUTS)

Specification

Lens characteristics	
Detection Range	10m
Detection Angle	85°
Detection Zones	7 planes - 30 zones
Detection speed	0.3 - 3m/s
Mounting Height	1.8-2.4m
Key features	
Animal immune	Up to 20kg
Blue Wave Technology	YES
Automatic sensitivity	YES
Digital temperature compensation	YES
Separate indication: microwave, PIR and alarm	YES
3 microwave frequencies to avoid interference	YES
Tamper protection	Front and rear
Signal Strength Indicators (SSI)	YES
Electrical & battery	
Microwave frequency	10.515, 10.525, 10.535GHz
Transmission frequency	433.6MHz
Range in open space	800m
3V lithium battery included	2x CR123A
Minimum battery life (years)	2
Environment features	
Operating temperature	-10°C / +40°C
Weight	135g
Dimensions	117x69x59mm
Direct light filter	6500 Lux
Optics	Sealed
Geometric lens configuration	3D
Certifications and warranty	
Electrical conformity	CE
Warranty	2 years
Accessories	
Ceiling mounted bracket included	yes
Wall mounted bracket included	yes

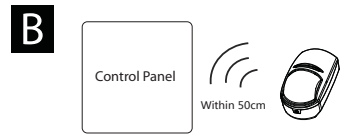
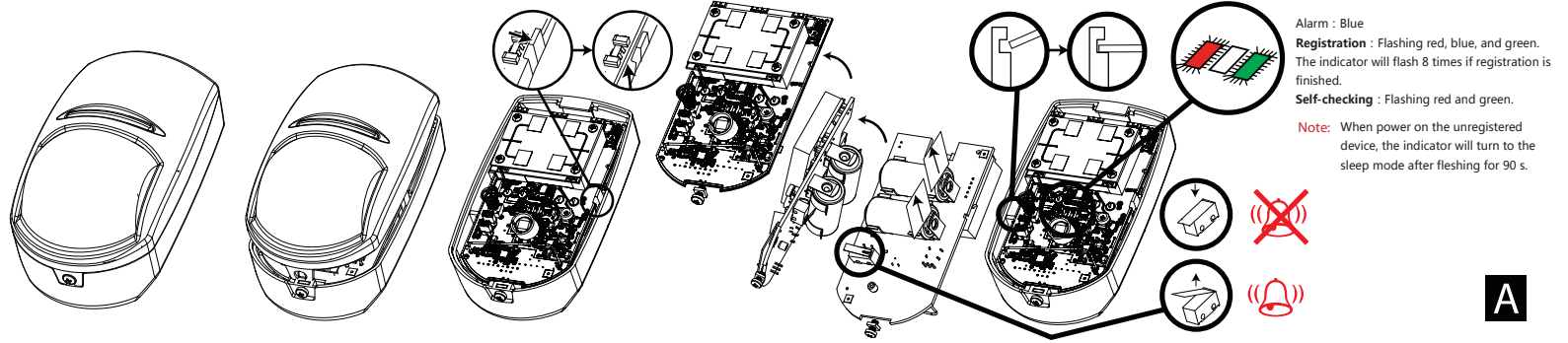
Battery Information



The batteries supplied have been chosen to provide long service life whilst, for safety reasons, having limited output current.



The battery is protected on purchase by a piece of plastic that must be removed for operation. When disposing of the product, the battery must be removed and disposed of separately in accordance with the local regulations.



Register Detector

1. Make the security control panel enter the registration mode.
2. Register the detector: Hold the learnt key until the three LEDs flash alternately. The green LED will flash 8 times if the registration is finished.
3. Communication Test: Release the TAMPER spring to trigger the alarm.

Note: The distance between the security control panel and the detector should be less than 50 cm.

Unregister Detector

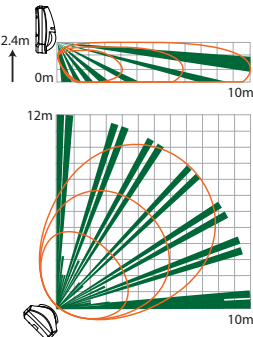
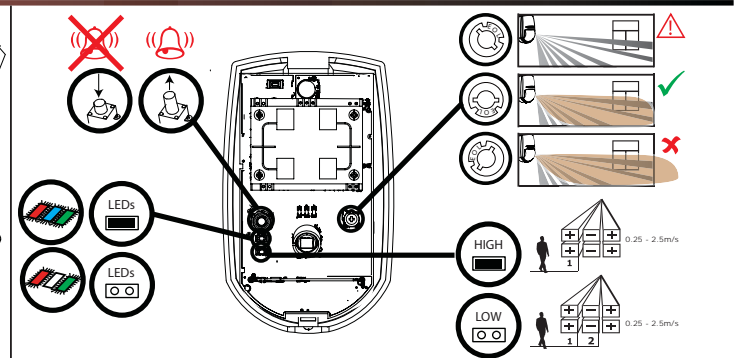
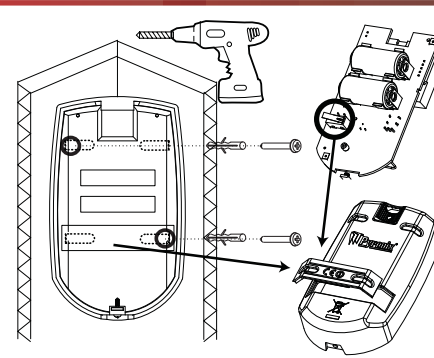
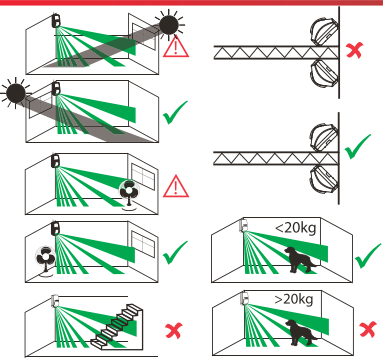
- Delete the Detector from the Control Panel
1. Make the security control panel enter the unregistration mode.
 2. Unregister the detector: Hold the registration key until the three LEDs flash alternately.

Initialize the Detector

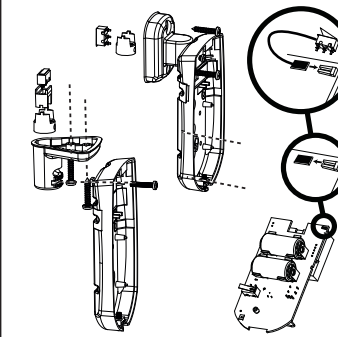
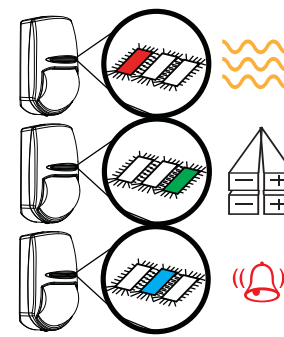
1. Remove the battery to power the detector off.
2. 5s later, hold the registration key and reinstall the battery to power the detector on at the same time to make the three LEDs start flashing alternately. Release the registration key while the three LEDs flash once together.

C

- 1 Log in to the APP Store and input "Hik-Connect" to search the mobile client.
- 2 Download and install Hik-Connect to your phone.
- 3 After installing, tap to run the client.
- 4 Power on the security control panel.
- 5 Log in the Hik-Connect and ap the icon "+" at the upper-right corner of the Hik-Connect page to add the security control panel. You can scan the QR code on the device rear panel or on the package box, or input the device serial No. manually to add the device when the device is in the registration mode.
- 6 After adding the security control panel, tap the arming status icon on the right of the security control panel's name to enter the Partition page.
- 7 Tap the "+" icon on the Partition page to add the peripherals.



D



Product Information

User Manual
COPYRIGHT ©2018 Hangzhou Hikvision Digital Technology Co., Ltd.

ALL RIGHTS RESERVED.

Any and all information, including, among others, wordings, pictures, graphs are the properties of Hangzhou Hikvision Digital Technology Co., Ltd. or its subsidiaries (hereinafter referred to be "Hikvision"). This user manual (hereinafter referred to be "the Manual") cannot be reproduced, changed, translated, or distributed, partially or wholly, by any means, without the prior written permission of Hikvision. Unless otherwise stipulated, Hikvision does not make any warranties, guarantees or representations, express or implied, regarding to the Manual.

About this Manual

This manual is applicable to detector.

The Manual includes instructions for using and managing the product. Pictures, charts, images and all other information hereinafter are for description and explanation only. The information contained in the Manual is subject to change, without notice, due to firmware updates or other reasons. Please find the latest version in the company website (<http://overseas.hikvision.com/en/>).

Please use this user manual under the guidance of professionals.

Trademarks Acknowledgement

HIKVISION and other Hikvision's trademarks and logos are the properties of Hikvision in various jurisdictions. Other trademarks and logos mentioned below are the properties of their respective owners.

FCC Information

FCC Information

Please take attention that changes or modification not expressly approved by the party responsible for compliance could void the user's authority to operate the equipment.

FCC compliance: This equipment has been tested and found to comply with the limits for a Class B digital device, pursuant to part 15 of the FCC Rules. These limits are designed to provide reasonable protection against harmful interference in a residential installation. This equipment generates, uses and can radiate radio frequency energy and, if not installed and used in accordance with the instructions, may cause harmful interference to radio communications. However, there is no guarantee that interference will not occur in a particular installation. If this equipment does cause harmful interference to radio or television reception, which can be determined by turning the equipment off and on, the user is encouraged to try to correct the interference by one or more of the following measures:

- Reorient or relocate the receiving antenna.
- Increase the separation between the equipment and receiver.
- Connect the equipment into an outlet on a circuit different from that to which the receiver is connected.
- Consult the dealer or an experienced radio/TV technician for help.

FCC Conditions

This device complies with part 15 of the FCC Rules. Operation is subject to the following two conditions:

1. This device may not cause harmful interference.
2. This device must accept any interference received, including interference that may cause undesired operation