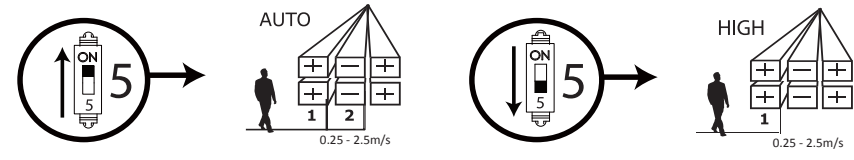
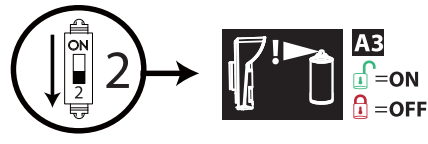
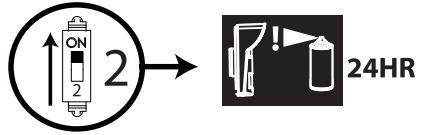


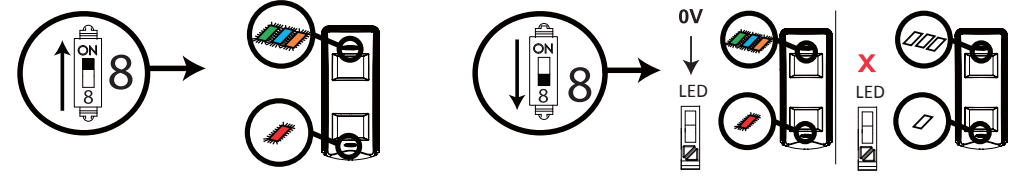
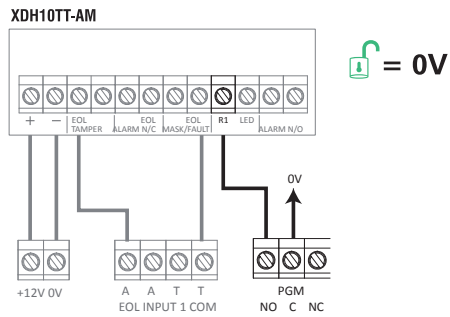
ENGLISH

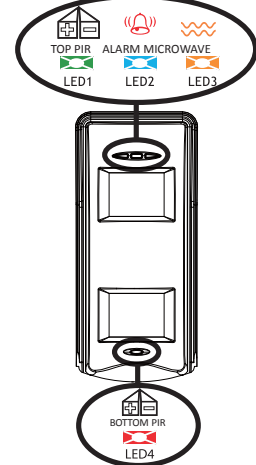
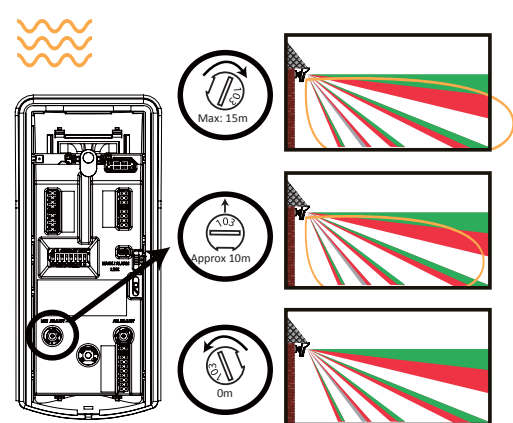
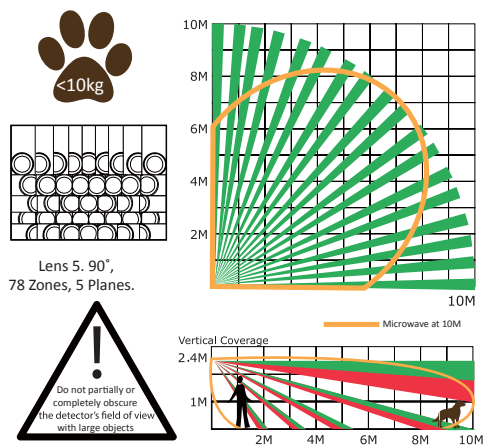
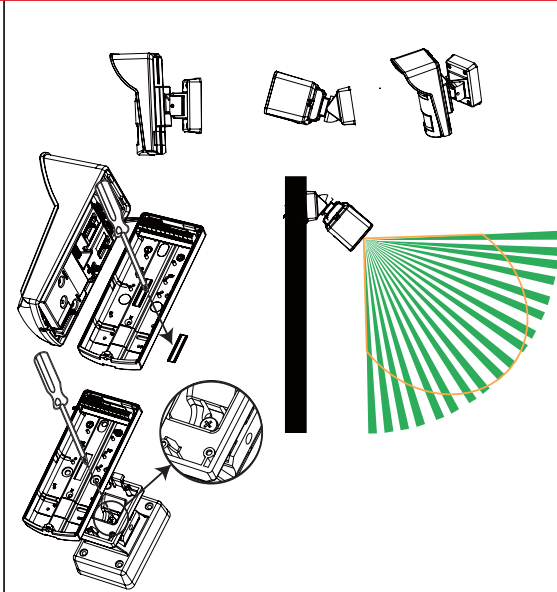
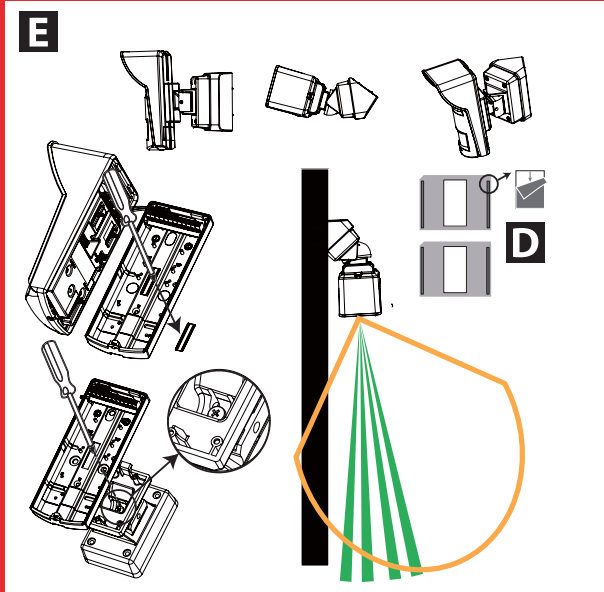
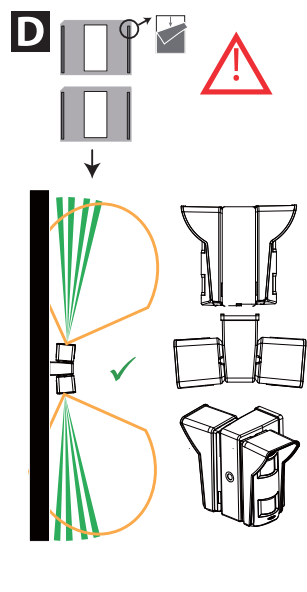
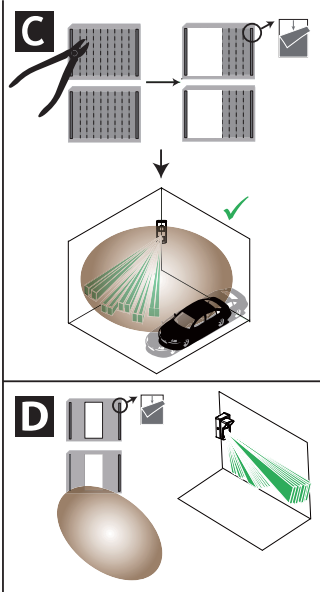
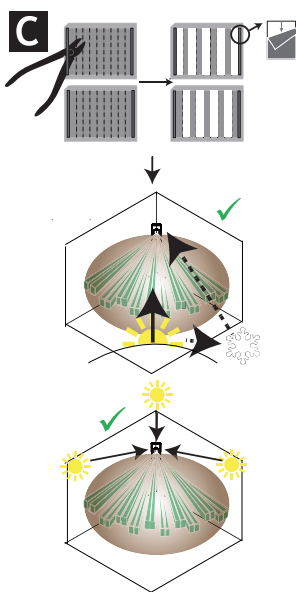
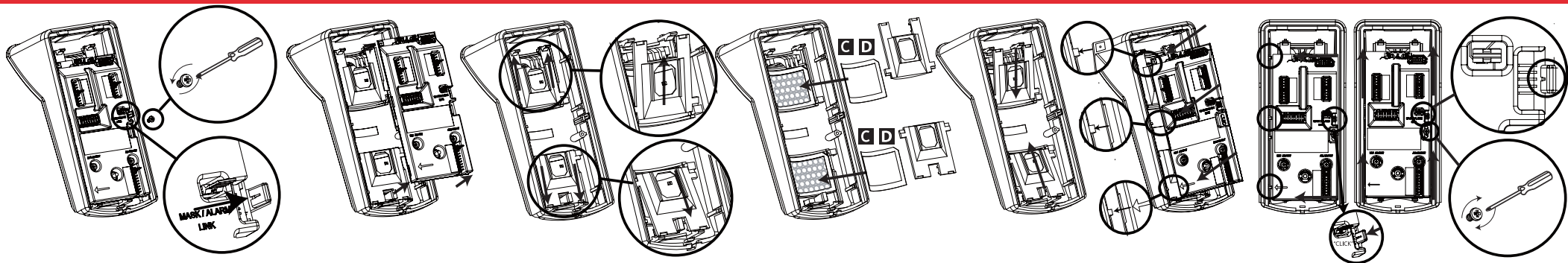
- | | | |
|--------------------------|--------|----------------------|
| LEDs ON | ON/OFF | LEDs OFF |
| Buzzer ON | ON/OFF | Buzzer OFF |
| Open Mask & Alarm Relays | ON/OFF | Open Mask Relay Only |
| Auto Sensitivity | ON/OFF | High Sensitivity |
| RI Off | ON/OFF | RI On |
| Blocking Off | ON/OFF | Blocking On |
| A.M. 24 hour | ON/OFF | A.M. If Disarmed |
| 50Hz | ON/OFF | 60Hz |



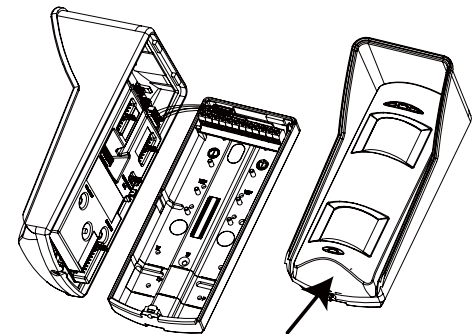
ITALIAN

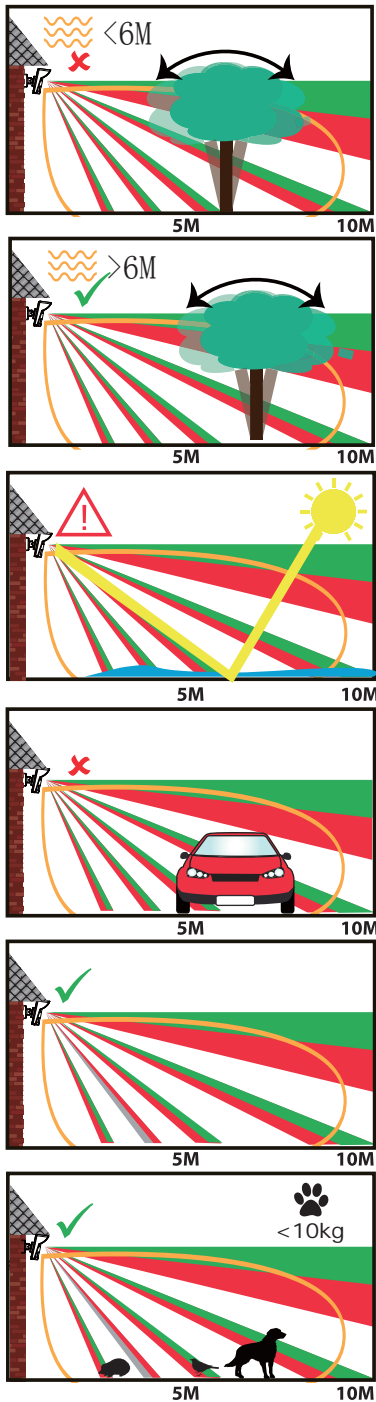
- | | | |
|--------------------------------------|--------|---|
| LED abilitati | ON/OFF | LED da abilitare su controllo remoto |
| Buzzer ON | ON/OFF | Buzzer Off |
| ALARM e MASK aperti in mascheramento | ON/OFF | Solo MASK aperto in mascheramento |
| Sensibilità auto | ON/OFF | Sensibilità alta |
| RI (controllo remoto) disabilitato | ON/OFF | RI (controllo remoto) abilitato |
| Blocking disabilitato | ON/OFF | Blocking da abilitare su controllo remoto |
| Anti-Mascheramento abilitato | ON/OFF | Anti-Mascheramento da abilitare su controllo remoto |
| 50Hz | ON/OFF | 60Hz |





- Powering Up
- Masked/Blocked
- Top PIR Failed Self Test
- Microwave Failed Self Test
- Bottom PIR Failed Self Test
- Low Voltage
- Top PIR Activated
- Microwave Activated
- Bottom PIR Activated
- Alarm
- Mask Processing





FCC Information

Please take attention that changes or modification not expressly approved by the party responsible for compliance could void the user's authority to operate the equipment.

FCC compliance: This equipment has been tested and found to comply with the limits for a Class B digital device, pursuant to part 15 of the FCC Rules. These limits are designed to provide reasonable protection against harmful interference in a residential installation. This equipment generates, uses and can radiate radio frequency energy and, if not installed and used in accordance with the instructions, may cause harmful interference to radio communications. However, there is no guarantee that interference will not occur in a particular installation. If this equipment does cause harmful interference to radio or television reception, which can be determined by turning the equipment off and on, the user is encouraged to try to correct the interference by one or more of the following measures:

- Reorient or relocate the receiving antenna.
- Increase the separation between the equipment and receiver.
- Connect the equipment into an outlet on a circuit different from that to which the receiver is connected.
- Consult the dealer or an experienced radio/TV technician for help

FCC Conditions

This device complies with part 15 of the FCC Rules.

Operation is subject to the following two conditions:

1. This device may not cause harmful interference.
2. This device must accept any interference received, including interference that may cause undesired operation.