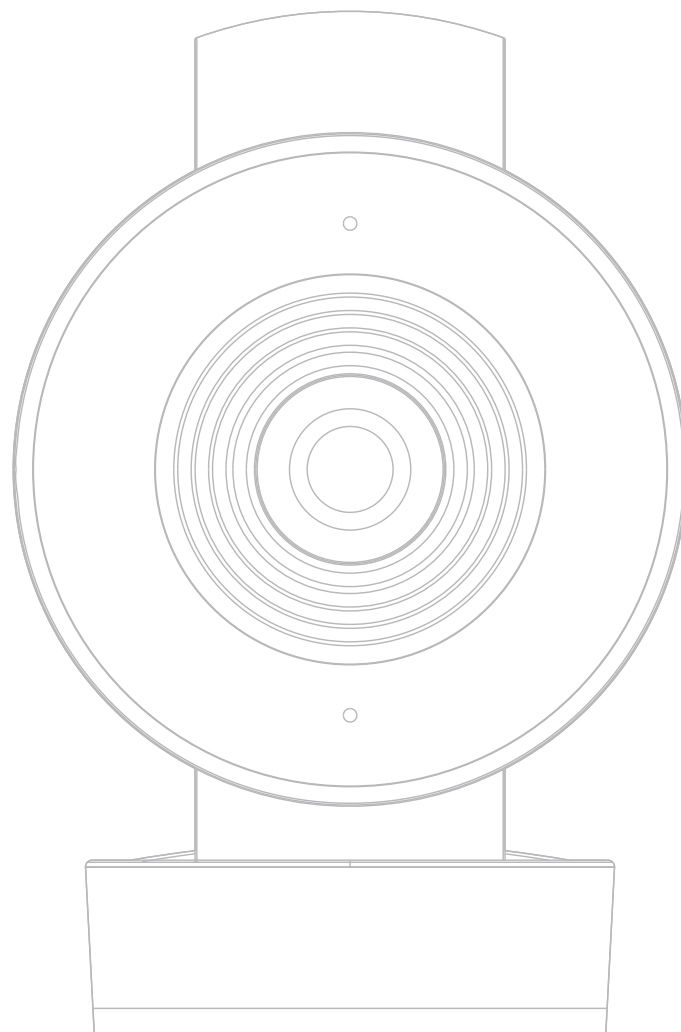


# Mini 2C

ORIGINALITY DESIGN SMART – AND BEAUTIFUL

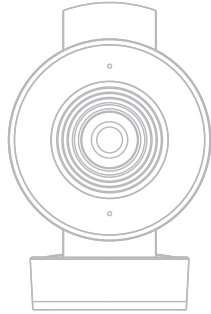


# QUICK GUIDE

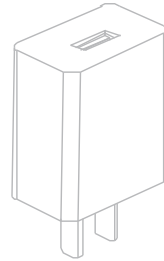


## What's in the box

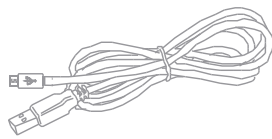
Please consult this checklist for all parts.



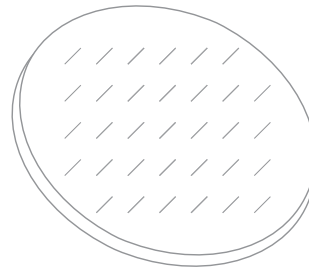
Mini 2



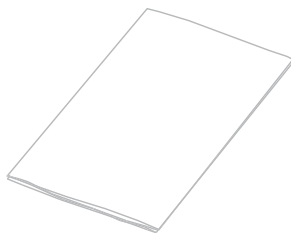
Power adapter



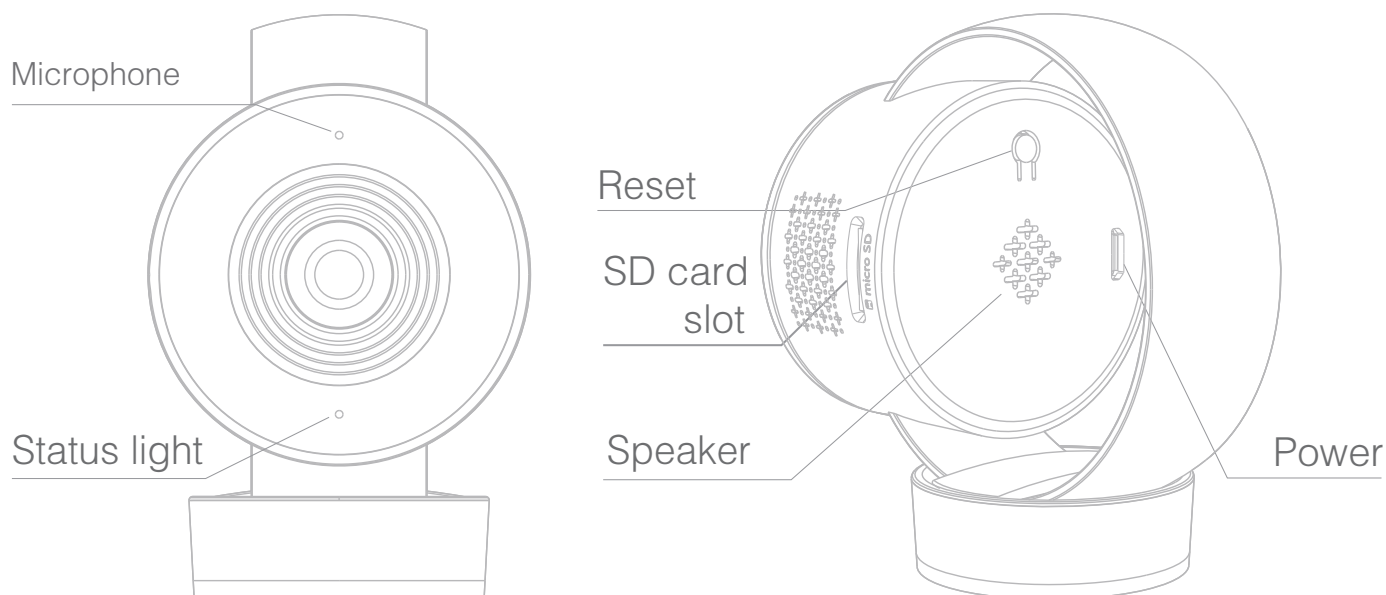
USB cable



Adhesive tape



I/M



## Description

Power DC5V  $\pm$  10%

- Status light
- Red light solid on: the camera network is abnormal
  - Blinking red light: awaiting WiFi connecting, or currently connecting (faster blinking)
  - Blue light solid on: camera running correctly
  - Blinking blue light: awaiting manual WiFi configuration, or currently connecting (faster blinking)

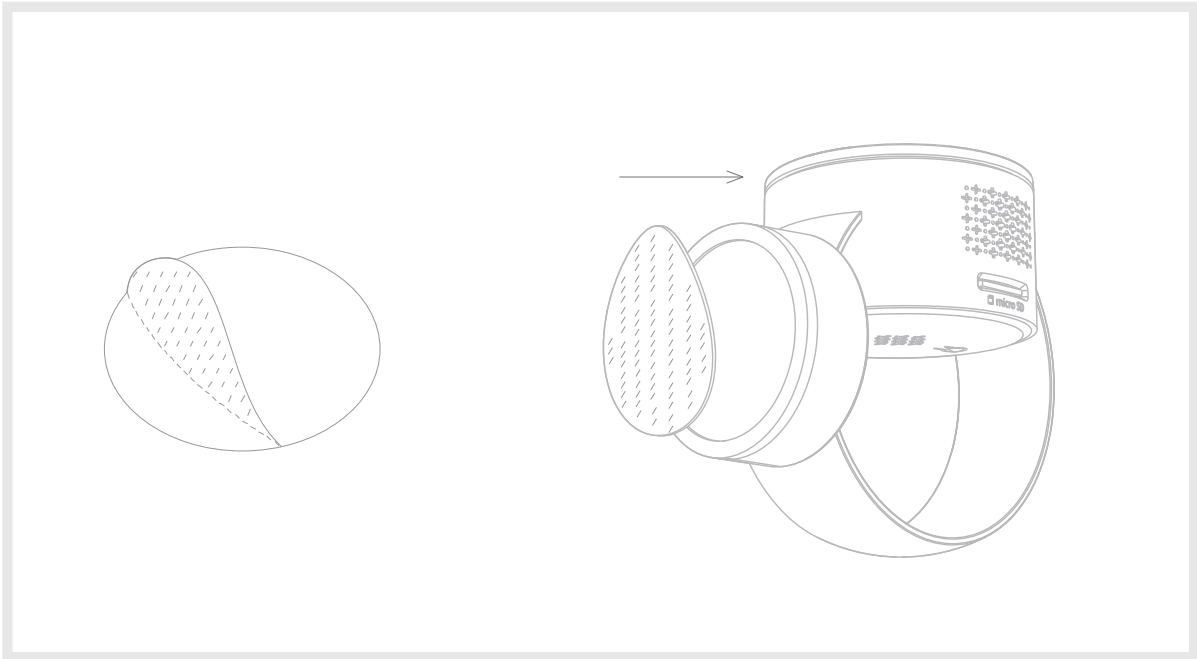
Microphone Captures sounds for your video

SD card slot Supports local SD Card storage (Max.128G)

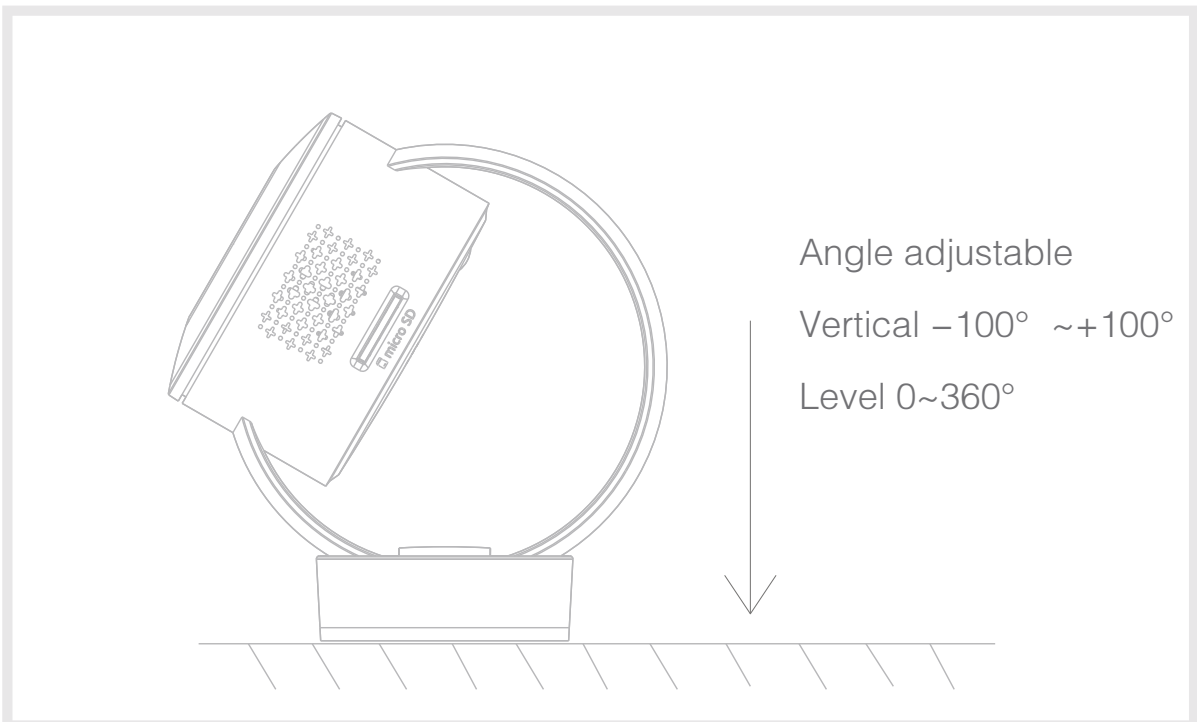
Reset Press and hold the 'RESET' for 5 seconds to reset the device(if you have modified settings, they will return to factory defaults)  
Pressing for 1 second will activate manual WiFi setup mode

## Install

- 1 Stick the adhesive tape in the middle of camera bottom



- 2 Put the camera on the clean plane

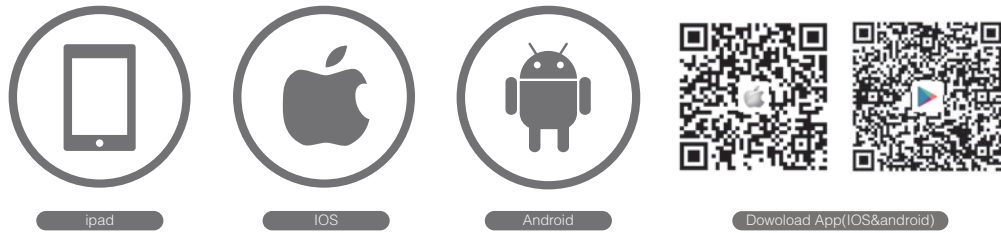


## Connect

### Download

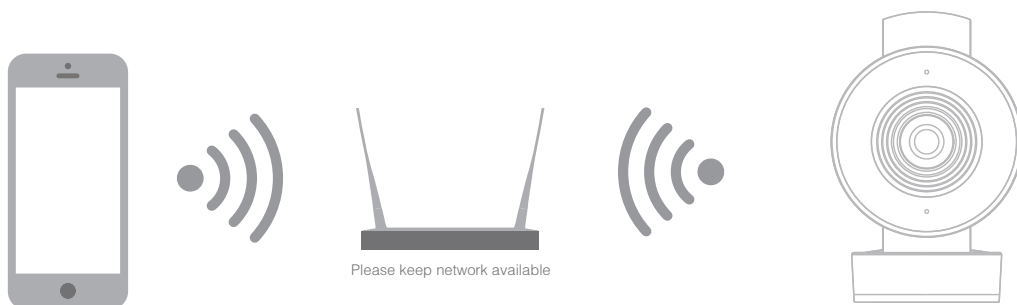
CloudEdge is available for both iOS and Android OS. Search the name 'CloudEdge' in App Store or Android Market, or scan upper QR-Code to download the App.

#### • Support



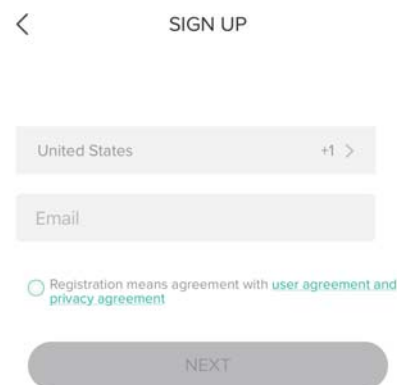
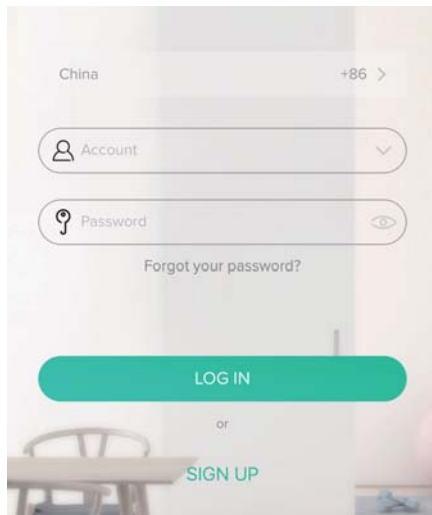
### Set up router

This product only supports 2.4GHz frequency band router, does not support 5GHz frequency band router, please set the relevant parameters of the router before WiFi configuration, WiFi passwords do not include special characters such as ~!@#\$\$%^&\*(). When the device is configured in WiFi, the mobile phone and device are as close as to the router, which can speed up the configuration of the device.

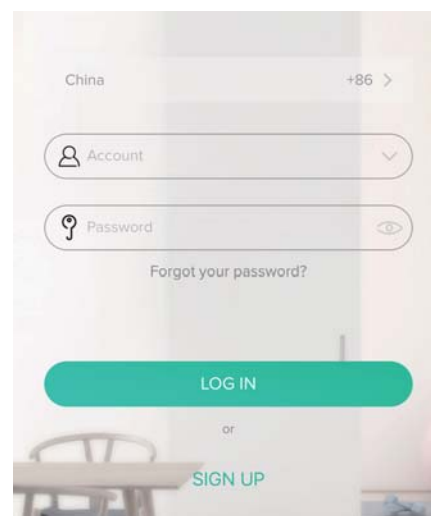
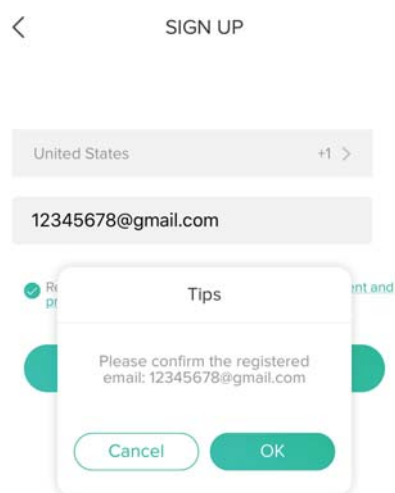


## Registration process

Step 1 Open the CloudEdge App, click 'SIGN UP', input a valid email address and select 'registration means agreement with user agreement privacy agreement' then click 'NEXT'.



Step 2 Enter the email address and click 'OK', create a nickname and login password.



Note: Make sure your router, device, and mobile phone are nearby.

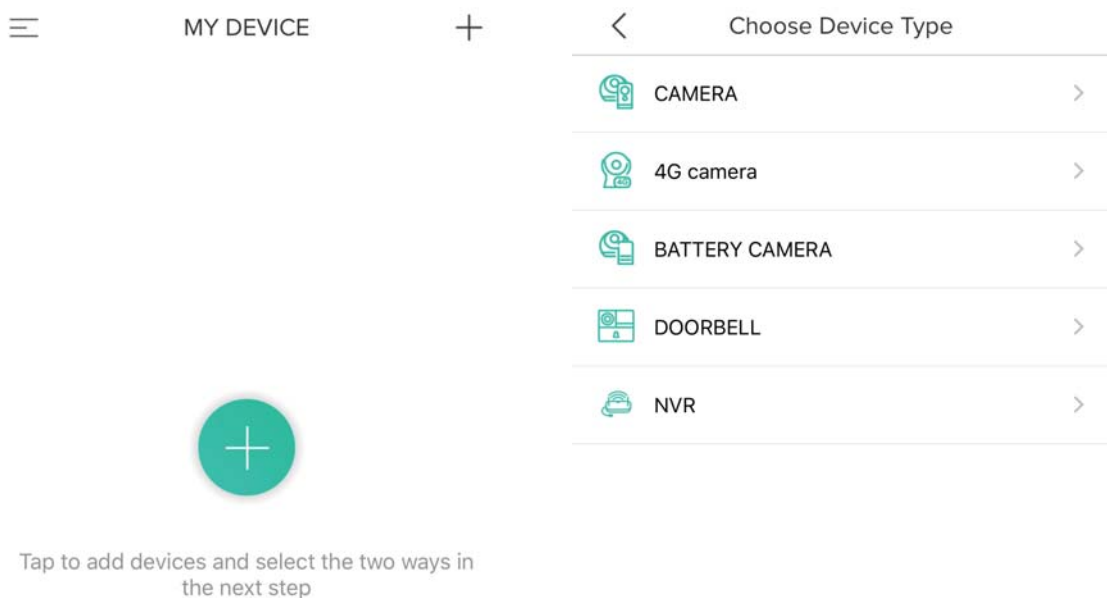
## QR Code Configuration

### Few notices before adding the device

1. This device only supports 2.4GHz WiFi router, please make sure you are using a 2.4GHz WiFi router.
2. Please follow the instructions and make sure the password is inputed correctly.
3. One device can only be added with one App account, if the device has been added with another account already, then it can't be added to any another account again.

### Process

Step 1 Open the CloudEdge App, click '+', and select the type of device to add.



Step 2 Please confirm the red LED light blinks, select 'The device has flashed red slowly or you hear a tone', click 'Next'. Then input the wireless password, click 'Next'.



1. After powering on the device, wait until the device starts
2. Make sure the status indicator changes from steady red to slow red, or hear the device prompt: "Please configure wireless network for camera".

[Descriptions for Status light](#)

The device has flashed red slowly or you hear a tone

Next

Please fill in the wireless network to be connected  
Please ensure that the mobile phone is connected to the 2.4G WIFI network.

XXXXXXXX [Change WiFi](#)

.....

[Show password](#)

Next

Step 3 The device is scanning the QR code at a distance of 15~25cm (you can click the 'operation' to view the scanning mode). After the device scans successfully, click 'Hear tone'.

**Equipment scanning QR code**

The distance between the two-dimension code is about 15~25cm, and the device scans the two-dimensional code and it will send a tone

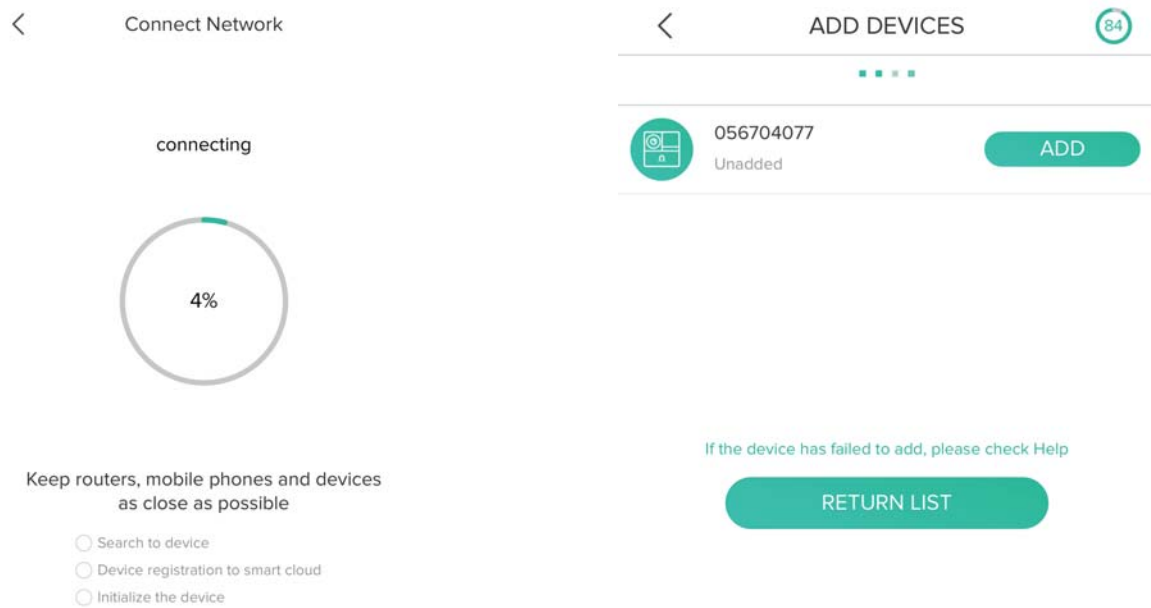


[Did not hear the tone](#)

[Hear tone](#)



Step 4 The device is successfully connected to the network. After the configuration is completed, the App automatically adds the successfully scanned device, and return to the device list. The configuration is completed.



## Functions

### Video flip

Flip your video stream vertically anytime for maximum flexibility.

### Motion detection

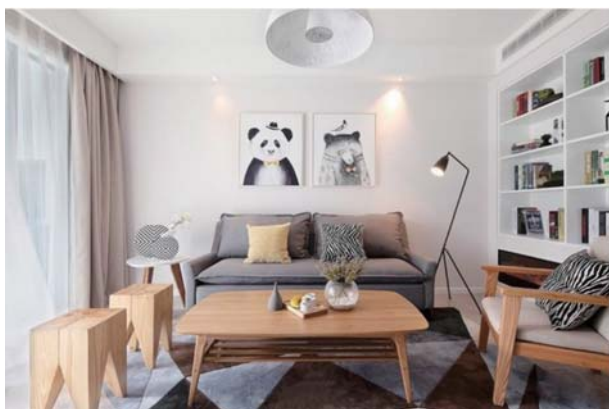
Motion sensors will notify you when movement is detected.

### Record

Record every moment using high capacity SD card storage.

### Day & Night

Powerful night vision means no interruptions, even in complete darkness.



Daytime



Night

Q: The device cannot be previewed properly?

A: Check whether the network is normal, you can place the camera close to the router, and if not, it is recommended to reset the device and add it again.

Q: Why is it still in the list of devices after resetting?

A: The reset device only resets the network configuration of the camera, but cannot change the configuration on the App, remove the camera, and must be deleted by the App.

Q: How to cut the camera network to another router?

A: First remove and reset the device on the App and then configure the device again by the App.

Q: Why doesn't the device identify the SD card?

A: It is recommended to plug in SD card after power cut. Confirm whether the SD card is normally available and the format is FAT32. And the TF card can't be identified when the internet environment is not good.

Q: Why I can't get the notifications with my cell phone App?

A: Please confirm that the App has been running on the phone, and the relevant reminder function has been opened; Message notification and authority confirmation in the mobile phone system have been opened.

## FCC Statement

Any Changes or modifications not expressly approved by the party responsible for compliance could void the user's authority to operate the equipment.

This device complies with part 15 of the FCC Rules. Operation is subject to the following two conditions:

- (1) This device may not cause harmful interference, and
- (2) This device must accept any interference received, including interference that may cause undesired operation.

## **FCC Radiation Exposure Statement:**

This equipment complies with FCC radiation exposure limits set forth for an uncontrolled environment. This equipment should be installed and operated with minimum distance 20cm between the radiator & your body.

Note: This equipment has been tested and found to comply with the limits for a Class B digital device, pursuant to part 15 of the FCC Rules. These limits are designed to provide reasonable protection against harmful interference in a residential installation. This equipment generates, uses and can radiate radio frequency energy and, if not installed and used in accordance with the instructions, may cause harmful interference to radio communications. However, there is no guarantee that interference will not occur in a particular installation. If this equipment does cause harmful interference to radio or television reception, which can be determined by turning the equipment off and on, the user is encouraged to try to correct the interference by one or more of the following measures:

- Reorient or relocate the receiving antenna.
- Increase the separation between the equipment and receiver.
- Connect the equipment into an outlet on a circuit different from that to which the receiver is connected.
- Consult the dealer or an experienced radio/TV technician for help.