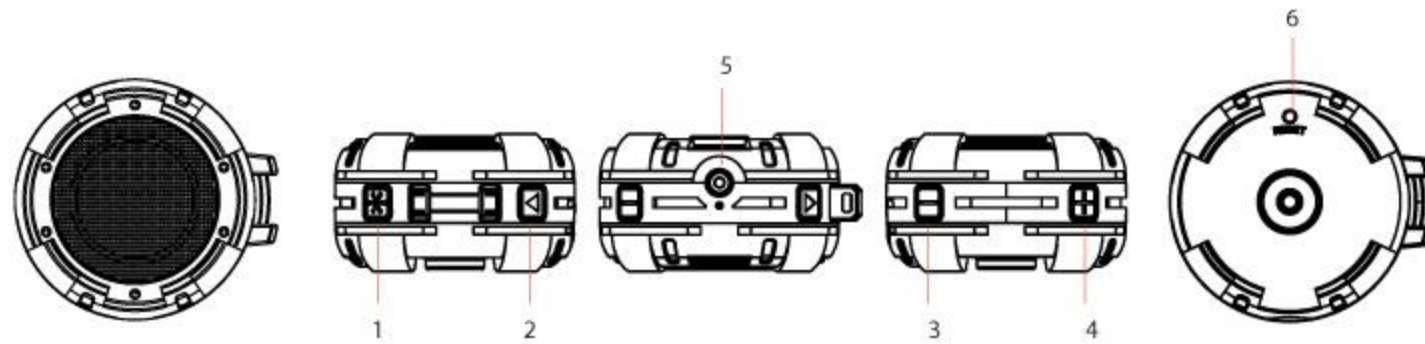


Bluetooth Speaker Instruction Manual

Thank you for choosing our wireless Bluetooth Speaker! Before you use the speaker make sure to completely charge the device, and become familiar with the Bluetooth function on your paired devices.

How to use the Bluetooth Speaker

The General Features



- 1. LED Light Mode Button/ Play Mode Button**
Press the button to change the light status. The default mode is flashing with rhythm light. Second light mode is breath light. Press again to shut down the light.
Long press the button to switch from Bluetooth mode to line-in mode.
- 2. Play/Pause Button/Hands free Button**
Short press to play/pause the music when in Bluetooth mode.
Short press to answer phone call. Short press it again to hang up. Long press it to reject incoming phone call.
- 3. PREV/Volume Less Button**
Short press the "-" button to play the previous track. Holding the "-" to lessen the volume.
- 4. NEXT/Volume Plus Button**
Short press the "+" button to play the next track. Holding the "+" to add the volume.
- 5. Line-in/Charging Interface**
Insert the 3.5mm audio cable, then long press the button "2" to get into line-in mode.
Insert the 3.5mm to USB cable to charging the speaker.
- 6. Reset Button**
Press reset button to sweep all status and restart the speaker.

Red Working Instruction Light:

It will be red when it is charging, and it will go off automatically when it is fully charged.

Note: This equipment has been tested and found to comply with the limits for a Class B digital device, pursuant to part 15 of the FCC Rules. These limits are designed to provide reasonable protection against harmful interference in a residential installation. This equipment generates, uses and can radiate radio frequency energy and, if not installed and used in accordance with the instructions, may cause harmful interference to radio communications. However, there is no guarantee that interference will not occur in a particular installation. If this equipment does cause harmful interference to radio or television reception, which can be determined by turning the equipment off and on, the user is encouraged to try to correct the interference by one or more of the following measures:

- Reorient or relocate the receiving antenna.
- Increase the separation between the equipment and receiver.
- Connect the equipment into an outlet on a circuit different from that to which the receiver is connected.
- Consult the dealer or an experienced radio/TV technician for help.

Pairing with Mobile Device

The speaker needs to be connected with a Mobile Device to use the wireless Bluetooth function. If the mobile device has paired with a Bluetooth speaker previously, the match will finish automatically.

- Active Bluetooth mode on mobile device and turn speaker ON. Speaker will automatically enter pairing mode.
- Search for the Bluetooth Speaker from your mobile device
- Mobile device will display the Bluetooth Speaker as "HB098" in list of available devices. Select pair.
- Follow instruction on mobile device to complete pairing. If pass-code is needed, enter "0000"
- After the Mobile Device and Bluetooth Speaker connect, sound can be controlled from the Volume Buttons (2)

Technology Specifications

| Parameters | Index |
|-------------------------|----------------|
| Bluetooth specification | 2.4GHz |
| Communication distance | 10 M |
| Frequency response | 100HZ-20KHZ |
| Horn Output power | 5W |
| Playing time | 8hours |
| Size | Φ90 mm x 52 mm |

Safety Information:

- Avoid contact with liquids and damp areas
- Charging battery fully before use
- If speaker is damaged seek professional consultation, do not repair
- Do not take speaker apart to avoid electrocution
- Keep speaker away from flame
- Keep out of reach of children

Warnings

Any Changes or modifications not expressly approved by the party responsible for compliance could void the user's authority to operate the equipment.

This device complies with part 15 of the FCC Rules. Operation is subject to the following two conditions: (1) This device may not cause harmful interference, and (2) this device must accept any interference received, including interference that may cause undesired operation.

This equipment complies with FCC radiation exposure limits set forth for an uncontrolled environment.

This transmitter must not be co-located or operating in conjunction with any other antenna or transmitter.