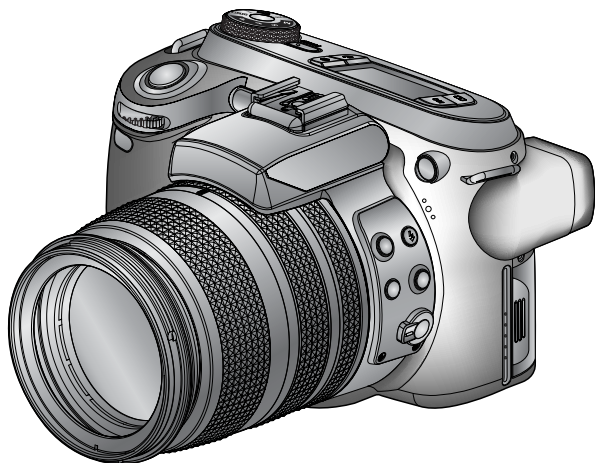


SAMSUNG



Pro 815

User's Manual

Thank you for buying a Samsung Camera.
This manual will guide you through using the camera, including capturing images,
downloading images and using the application software.
Please read this manual carefully before using your new camera.

ENGLISH

Instructions

- Use this camera in the following order

Set up the camera driver

Before connecting the camera to a PC, via the USB cable, you will need to set up the camera driver. Install the camera driver that is contained in Application software CD-ROM. (p.96)

Take a picture

Take a picture. (p.20)

Insert the USB cable

Insert the supplied USB cable into the PC's USB port and the camera's USB connection terminal. (p.102)

Check the camera's power

Check the camera's power. If the power is turned off, press the camera button to turn it on. (p.31)

Check [Removable Disk]

Open Window's EXPLORER and search for [Removable Disk]. (p.103)

- If you use a card reader to copy the images on the memory card to your PC, the images could be damaged. When transferring the images taken with the camera to your PC, be sure to use the supplied USB cable to connect the camera to your PC. Please note that the manufacturer holds no responsibility for loss or damage of images on the memory card due to the use of a card reader.

Contents

READY

● Getting to know your camera	5
● Danger	6
● Warning	6
● Caution	7
● An FCC warning	7
● System chart	8
● Identification of features	10
■ Front & Top	10
■ Back & Bottom	10
■ Bottom/ 5-function button	11
■ Cradle	11
■ Self-timer lamp	12
■ Camera Status Lamp	12
■ Mode icon	12
● Connecting to a Power Source	13
■ Using the SAC-41	14
■ Using the battery	18
■ Removing the battery	18
● Instructions on how to use the memory card	19
● Inserting the memory card	21
● Removing the memory card	21
● When Using the Camera for the First Time	22

RECORDING

● LCD monitor indicator	23
● Changing the recording mode	24
■ Selecting the [Mode] menu	24
■ How to use the Auto mode	26
■ How to use the Movie clip mode	26
■ Recording the movie clip without voice	27
■ Using Successive Recording	27
■ How to use the Manual mode	27
■ How to use the Scene modes	28
■ How to use the VOICE RECORDING mode	29

■ How to use the SF mode	29
● Things to Watch Out for When Taking Pictures	30
● Using the camera buttons to adjust the camera	31
■ POWER button	31
■ SHUTTER button	31
● ZOOM W/T button	31
● Voice recording/ Voice memo/ UP button	34
● Macro/ Down button	35
● Focus lock	36
● Flash/ Left button	37
● Self-timer/ Right button	39
● MENU/ OK button	40
● M (Mode) button	40
● SF button	42
● +/- button	43
● Using the LCD monitor to adjust the camera settings	47
● How to use the menu	49
● Mode	49
● Mode Set	50
● Size	51
● Quality / Frame rate	52
● Metering	53
● Continuous shot	53
● Sharpness	54
● OSD information	54
● Effect	55
● Special Effect	56
● Special Effect : Preset focus frames	56
● Special Effect : Composite shooting	58
● Special Effect : Photo Frame	60
● Movie Clip frame stabiliser	61

PLAY

● Starting play mode	62
■ Playing back a still image	62

Contents

● Playing back a movie clip	63	● Formatting a memory card	97
■ How to capture the movie clip	63	● Setting up the Date/ Time/ Date type	98
■ On-camera movie trimming	64	● Imprinting the recording date	98
■ Playing back a recorded voice	65	● Sound	99
● LCD monitor indicator	66	● Connecting an External Device (USB)	99
● Using the camera buttons to adjust the camera	67	● Auto Focus lamp	100
■ Play mode button	67	● LCD brightness	100
● Thumbnail/ Enlargement button	68	● Selecting Video out type	101
● Voice memo/ Up button	69	● Quick view	103
● Play & Pause/ Down button	70	● Initialisation	103
● Delete button	71	● Setting up the Mycam menu	104
● Left / Right / Menu / OK button	72	● Start up image	104
● Album button	73	● Start up sound	105
● Setting up the play back function using the LCD monitor	76	● Shutter sound	105
● Starting the slide show	79	● Important notes	106
● Protecting images	81	● Warning indicator	108
● Deleting images	82	● Before contacting a service centre	109
● Resize	83	● Specifications	112
● Effect	84		
● Rotating an image	85		
● DPOF	85		
● DPOF : Standard	86		
● DPOF : Index	86		
● DPOF : Print size	87		
● Copy To Card	88		
● PictBridge	89		
● PictBridge : Picture Selection	90		
● PictBridge : Print Setting	91		
● PictBridge : Printing	92		
● PictBridge : RESET	93		

SETUP

● Setup menu	94
● File name	95
● Auto power off	96
● Language	97

SOFTWARE

● Software Notes	114
● System Requirements	114
● About the software	115
● Setting up the application software	117
● Starting PC mode	127
● Removing the USB Driver for Windows 98SE	130
● Removable Disk	131
● Removing the removable disk	132
● Setting up the USB Driver for MAC	133
● Using the USB Driver for MAC	133
● Digimax Viewer 2.1	134
● Digimax Reader	135
● Using PhotoImpression	137
● FAQ	139

Getting to know your camera

Thank you for buying a Samsung Digital Camera.

- Prior to using this camera, please read the user manual thoroughly.
- When you require After Sales service, please bring the camera and the cause of the camera malfunction (such as battery, Memory card etc.) to the A/S centre.
- Please check that the camera is operating properly prior to when you intend to use it (e.g. for a trip or an important event) to avoid disappointment. Samsung camera takes no responsibility for any loss or damages that may result from camera malfunction.
- Keep the manual in a safe place.
- * Microsoft, Windows and Windows logo are registered trademarks of Microsoft Corporation incorporated in the United States and/or other countries.
- * CompactFlash logo is registered trademarks of SanDisk Corporation.
- * All brand and product names appearing in this manual are registered trademarks of their respective companies.

This manual contains instructions on using this camera that will help you to use this camera safely and correctly. This will help prevent danger and injury to others.



DANGER

DANGER indicates an imminently hazardous situation which, if not avoided, will result in death or serious injury.



WARNING

WARNING indicates a potentially hazardous situation, which, if not avoided, could result in death or serious injury.



CAUTION

CAUTION indicates a potentially hazardous situation, which, if not avoided, may result in a minor or moderate injury.



Correct Disposal of This Product (Waste Electrical & Electronic Equipment)

(Applicable in the European Union and other European countries with separate collection systems) This marking shown on the product or its literature, indicates that it should not be disposed with other household wastes at the end of its working life.

To prevent possible harm to the environment or human health from uncontrolled waste disposal, please separate this from other types of wastes and recycle it responsibly to promote the sustainable reuse of material resources. Household users should contact either the retailer where they purchased this product, or their local government office, for details of where and how they can take this item for environmentally safe recycling. Business users should contact their supplier and check the terms and conditions of the purchase contract.

This product should not be mixed with other commercial wastes for disposal.

Information to the user

NOTE: This equipment has been tested and found to comply with the limits for a Class B digital device, pursuant to part 15 of the FCC Rules. These limits are designed to provide reasonable protection against harmful interference in a residential installation.

This equipment generates, uses and can radiate radio frequency energy and, if not installed and used in accordance with the instructions, may cause harmful interference to radio communications. However, there is no guarantee that interference will not occur in a particular installation. If this equipment does cause harmful interference to radio or television reception, which can be determined by turning the equipment off and on, the user is encouraged to try to correct the interference by one or more of the following measures:

- Reorient or relocate the receiving antenna.
- Increase the separation between the equipment and receiver.
- Connect the equipment into an outlet on a circuit different from that to which the receiver is connected.
- Consult the dealer or an experienced radio/TV technician for help.

CAUTION : Changes or modifications not expressly approved by the party responsible for compliance could void the user's authority to operate the equipment.

Danger

- Do not attempt to modify this camera in any way. This may result in fire, injury, electric shock or severe damage to you or your camera. Internal inspection, maintenance and repairs should be carried out by your dealer or Samsung Camera Service centre.
- Please do not use this product in close proximity to flammable or explosive gases, as this could increase the risk of explosion.
- Should any form of liquid or a foreign object enter the camera, do not use it. Switch off the camera, and then disconnect the power source (batteries or AC Power Adapter). You must contact your dealer or Samsung Camera Service centre. Do not continue to use the camera as this may cause a fire or electric shock.
- Do not insert or drop metallic or inflammable foreign objects into the camera through access points e.g. the memory card slot and battery chamber. This may cause a fire or electric shock.
- Do not operate this camera with wet hands. This could pose a risk of electric shock.

DANGER

Warning

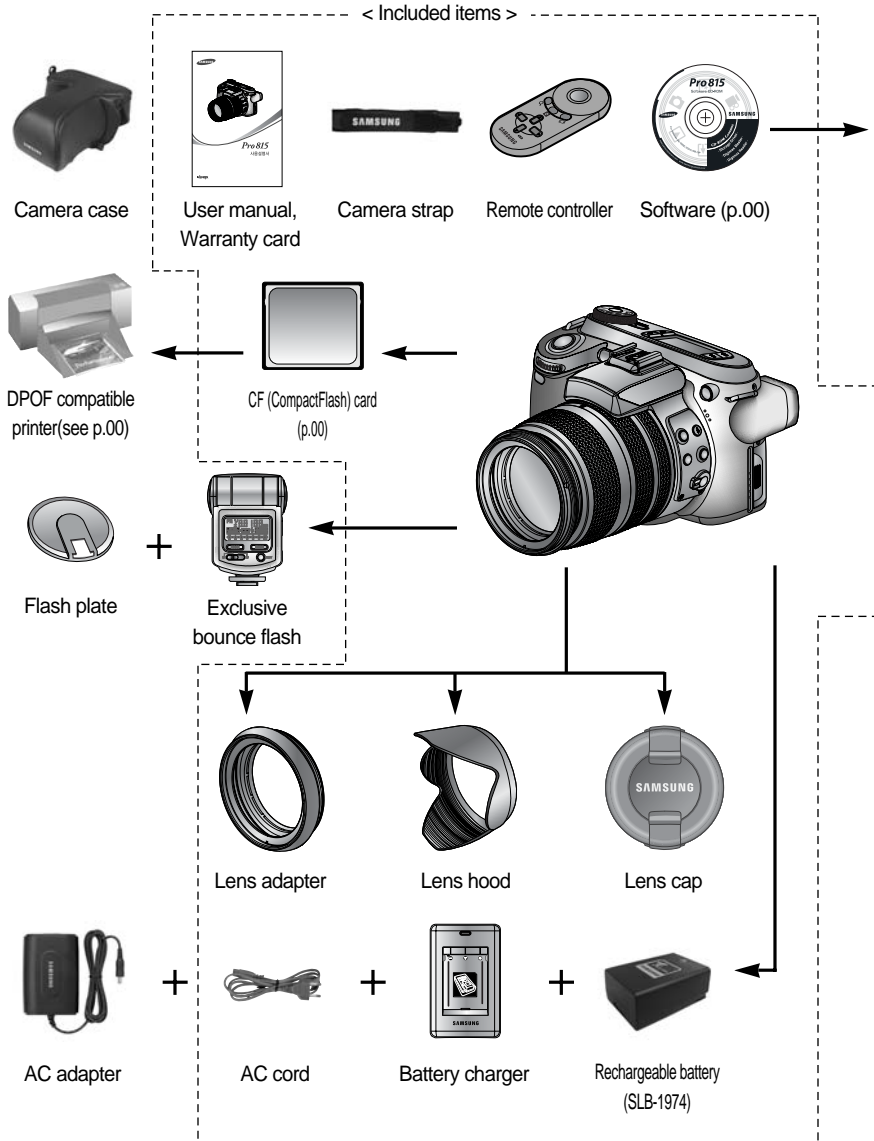
- Do not use the flash in close proximity to people or animals. Positioning the flash too close to your subject's eyes, may cause eyesight damage.
- When taking photographs, never point the lens of the camera directly into very strong light. This may result in permanent damage to your eyesight.
- For safety reasons keep this product and accessories out of reach of children or animals to prevent accidents e.g.:
 - Swallowing batteries or small camera accessories. If an accident should occur, please consult a doctor immediately.
 - There is the possibility of injury from the camera's moving parts.
- Batteries and camera may become hot during prolonged use and it may result in camera malfunction. Should this be the case, allow the camera to sit idle for a few minutes to allow it time to cool.
- Do not recharge non rechargeable batteries. This may cause an explosion.
- Do not leave this camera in places subject to extremely high temperatures, such as a sealed vehicle, direct sunlight or other places of extreme variances in temperature. Exposure to extreme temperatures may adversely affect the camera's internal components and could cause a fire.
- When in use, do not cover the camera or AC Power Adapter. This may cause heat to build up and distort the camera body or cause a fire. Always use the camera and its accessories in a well-ventilated area.

Caution

- Leaking, overheating, or burst batteries could result in fire or injury.
 - Use batteries with the correct specification for the camera.
 - Do not short circuit, heat or dispose of batteries in fire.
 - Do not insert the batteries with the reverse polarities.
- Remove the batteries when not planning to use the camera for a long period of time. Batteries may leak corrosive electrolyte and permanently damage the camera's components.
- Do not fire the flash while it is in contact with hands or objects. Do not touch the flash after using it continuously. It may cause burns.
- Do not move the camera while it is switched on, if you are using the AC Power Adapter. After use, always switch off the camera before unplugging the adapter from the wall socket. Then make sure that any connector cords or cables to other devices are disconnected before moving the camera. Failure to do so may damage the cords or cables and cause a fire or electric shock.
- The Lens is attached to the camera body. Do not drop or press the lens by force. It may cause a camera malfunction.
- Do not pull the lens by hand or do not rotate the zoom ring quickly. It may cause a camera malfunction. Please be careful when using the lens.

System chart

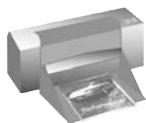
Please check that you have the correct contents before using this product. To buy the optional equipment, contact your nearest Samsung dealer or Samsung service centre.



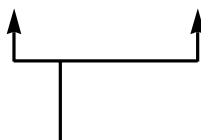
System chart



Computer (p.00)



PictBridge compatible printer(see p.00)



USB cable



AV cable



External monitor
Yellow cable - Video,
White/Red colour - Stereo
voice (see p.83)

System Requirements

For Windows

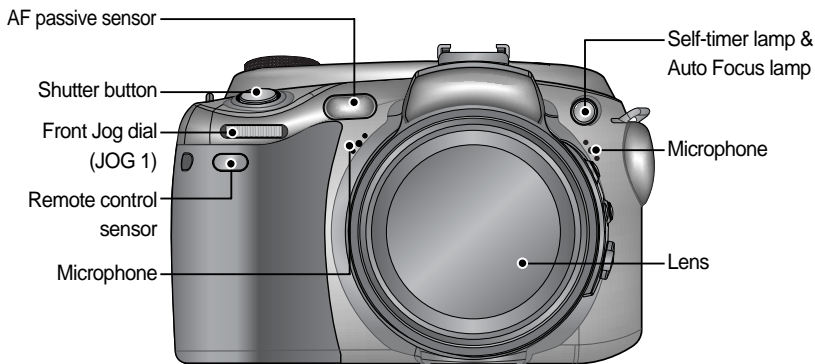
- PC with processor better than Pentium II 450MHz (Pentium 700MHz or better is recommended)
- Windows 98/ 98SE/ 2000/ ME/ XP
- Minimum 64MB RAM (XP : 128MB)
- 200MB of available hard-disk space (Over 1GB is recommended)
- USB port
- CD-ROM drive
- 1024x768 pixels, 16-bit colour display compatible monitor (24-bit colour display recommended)
- DirectX 9.0 or later

For Macintosh

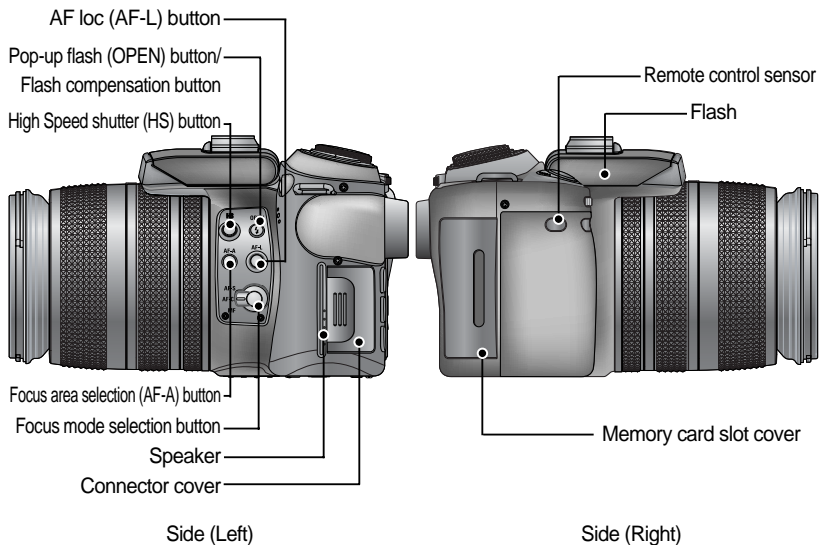
- Power Mac G3 or later
- Mac OS 10.0 or later
- Minimum 64MB RAM
- 110MB of available hard-disk space
- USB port
- CD-ROM drive

Identification of features

Front

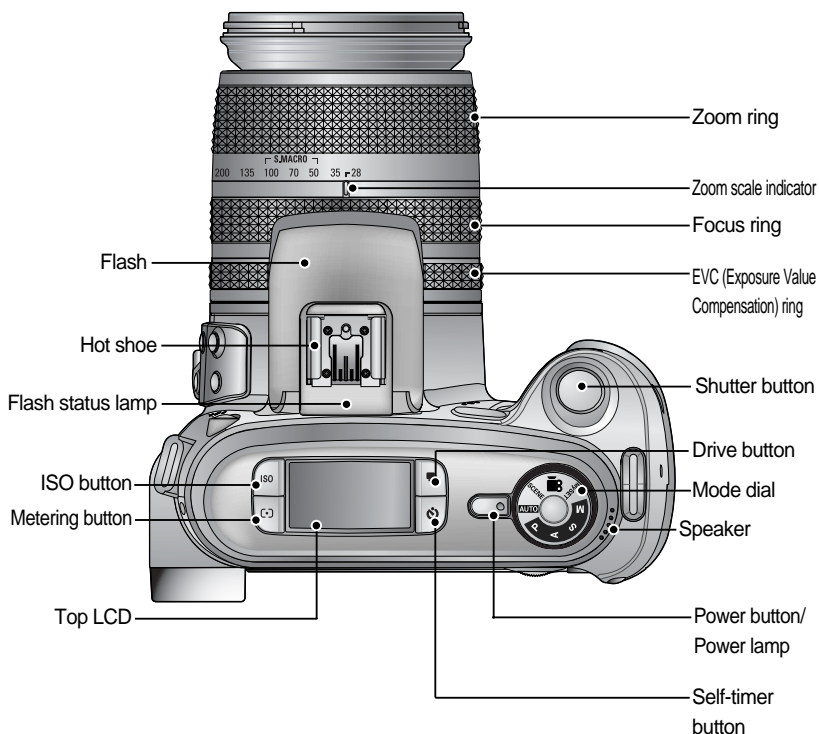


Side (Left/ Right)



Identification of features

Top



Hot shoe cap

