

# Owner's Manual & Safety Instructions

**Save This Manual** Keep this manual for the safety warnings and precautions, assembly, operating, inspection, maintenance and cleaning procedures. Write the product's serial number in the back of the manual near the assembly diagram (or month and year of purchase if product has no number). Keep this manual and the receipt in a safe and dry place for future reference.



## 12 VOLT 15 GALLON SPOT SPRAYER



Visit our website at: <http://www.harborfreight.com>  
Email our technical support at: [tech@harborfreight.com](mailto:tech@harborfreight.com)

**ITEM 61263**






When unpacking, make sure that the product is intact and undamaged. If any parts are missing or broken, please call 1-800-444-3353 as soon as possible.

Copyright© 2013 by Harbor Freight Tools®. All rights reserved.  
No portion of this manual or any artwork contained herein may be reproduced in any shape or form without the express written consent of Harbor Freight Tools. Diagrams within this manual may not be drawn proportionally. Due to continuing improvements, actual product may differ slightly from the product described herein. Tools required for assembly and service may not be included.

### **⚠WARNING**

**Read this material before using this product.  
Failure to do so can result in serious injury.  
SAVE THIS MANUAL.**

## WARNING SYMBOLS AND DEFINITIONS

	This is the safety alert symbol. It is used to alert you to potential personal injury hazards. Obey all safety messages that follow this symbol to avoid possible injury or death.
	Indicates a hazardous situation which, if not avoided, will result in death or serious injury.
	Indicates a hazardous situation which, if not avoided, could result in death or serious injury.
	Indicates a hazardous situation which, if not avoided, could result in minor or moderate injury.
	Addresses practices not related to personal injury.

## IMPORTANT SAFETY INFORMATION

### **WARNING**

**Read all safety warnings and instructions.**

*Failure to follow the warnings and instructions may result in serious injury.*

### Work Area


- 1. Keep your work area clean and well lit.**  
Cluttered dark areas invite accidents.
- The work area should have adequate drainage to reduce the possibility of a fall due to slippery surfaces.
- 3. Keep bystanders, children, and visitors away while operating the Sprayer.**  
Distractions can cause you to lose control.

### Electrical Safety

1. Connect to breaker/fuse protected, switch-controlled circuit if permanently installing pump. Do not use with longer or thinner wires than those provided.
2. Do not connect when wet or while standing on damp/wet ground.
3. Make sure the Harness is disconnected from the Pump Wiring before connecting to the 12VDC power supply.
4. Connect to 12VDC power supply only. Different voltage may cause motor/wiring damage, fire, or electric shock.

## Personal Safety

---

1. **Follow all guidelines regarding chemicals sprayed, including MSDS instructions and EPA regulations.**
2. **If battery acid contacts skin or clothing, wash immediately with soap and water. If acid enters eye, immediately flood eye with running cold water for a minimum of 10 minutes and get medical attention immediately.**
3. **Stay alert. Watch what you are doing and use common sense when operating the Sprayer. Do not use the Sprayer while tired or under the influence of drugs, alcohol, or medication.**  
A moment of inattention while operating the Sprayer may result in serious personal injury.
4. **Dress properly.** Do not wear loose clothing or jewelry. Contain long hair.
5. **Do not overreach. Keep proper footing and balance at all times.**  
Proper footing and balance enable better control of the tool in unexpected situations.
6.  **Always wear eye protection.**  
Wear ANSI-approved safety goggles while connecting battery and during operation.

## Use

---

1. **Use only for water or water-based fertilizers, herbicides, pesticides and sealers. Do not use to spray combustible or corrosive chemicals.**
2. Do not point the Sprayer at yourself, other people or animals.
3. Industrial applications must follow OSHA requirements.
4. Make sure the liquid used in the Sprayer is not dirty or sandy.
5. This product is not a toy. Do not allow children to play with or near this item.
6. Use as intended only.
7. Inspect before every use; do not use if parts are loose or damaged.
8. Maintain product labels and nameplates. These carry important safety information. If unreadable or missing, contact Harbor Freight Tools for a replacement.
9. **WARNING:** The brass components of this product contain lead, a chemical known to the State of California to cause birth defects (or other reproductive harm). (California Health & Safety code § 25249.5, *et seq.*)
10. The warnings and cautions discussed in this manual cannot cover all possible conditions and situations that may occur. The operator must understand that common sense and caution are factors that cannot be built into this product, but must be supplied by the operator.

## Service

---

1. **Have your Sprayer serviced by a qualified repair person using only identical replacement parts.**  
This will ensure that the safety of the tool is maintained.
2. Store idle tools and equipment out of reach of children and other untrained people. Tools and equipment are dangerous in the hands of untrained users.
3. Maintain the Sprayer with care. Keep this product clean. A properly maintained Sprayer is easier to control.



**SAVE THESE INSTRUCTIONS.**

## Specifications

Pump	12VDC / 2A Diaphragm
Maximum Spray Output	1 GPM, 40 PSI
Tank Capacity	15 gallons
Weight	160 lb (with full tank)
Mounting Hardware	4x Ø5/16" x 1/2" bolts and Ø5/16" washers (not included)

## Components and Controls

**Note:** For additional information regarding the parts listed in the following pages, refer to the Assembly Diagram near the end of this manual.

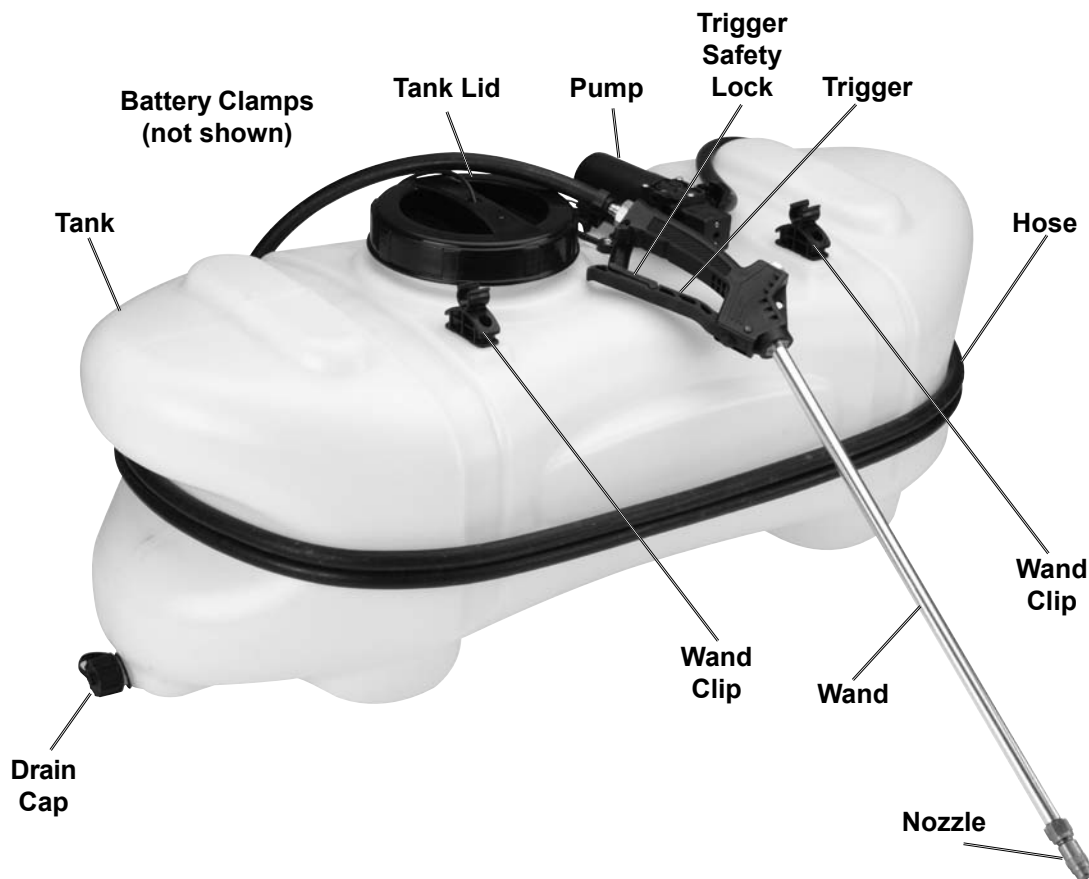


Figure A:

## Assembly and Installation Instructions



Read the **ENTIRE IMPORTANT SAFETY INFORMATION** section at the beginning of this document including all text under subheadings therein before set up or use of this product.

### Assembly

1. Attach Wand Clips with Screws (14).

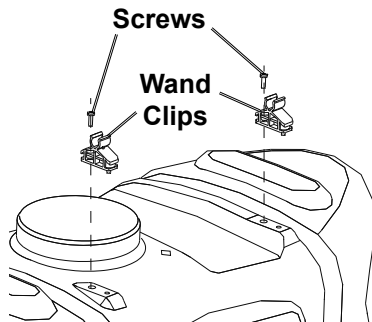


Figure B

2. Attach one end of Hose to Pump Discharge Port using Hose Clamp (11).
3. Attach the other end of Hose to Wand assembly using Hose Clamp.

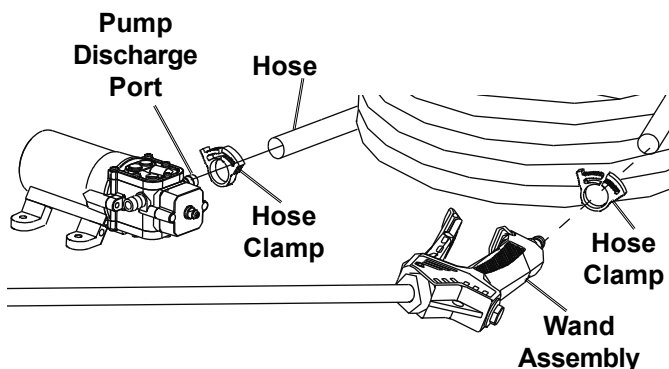


Figure C

4. Push Washer (17) into Drain Cap.
5. Push large ring of Drain Cap Tether (16) over drain tube as far as it will go.
6. Thread Drain Cap onto drain tube.
7. Push small ring of Tether over nub on Drain Cap.

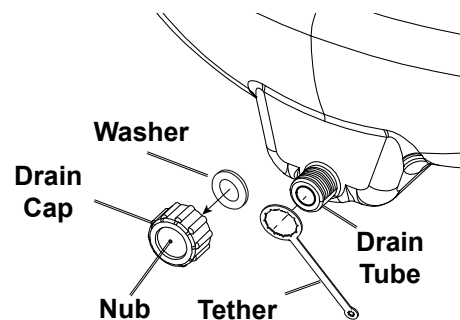


Figure D

8. Push the pointed end of the Lid Tether (2) up through the Tank Lid.
9. Thread Tank Lid onto Tank.
10. Push the pointed end of Tether through the Tether Hole, then pull back on Tether to make sure it is secure.

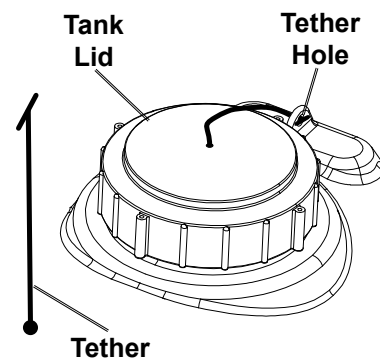


Figure E

# Installation

---

**WARNING!** Refer to mounting vehicle's owner's manual for vehicle load rating and safety instructions regarding driving while carrying a load.

1. Before filling with liquid, mount the Sprayer to the vehicle's rack, making sure that the Battery Clamps can reach the 12VDC source.
2. Attach Tank Bottom Mounts to rack with mounting hardware (sold separately) from Specifications chart.
3. Then, secure with two 1" wide ratchet straps (sold separately).

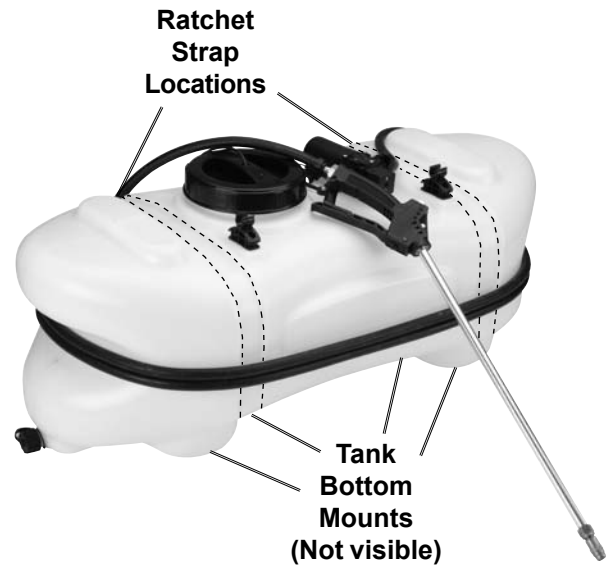


Figure F



**GREENWOOD™**

## Operating Instructions



Read the **ENTIRE IMPORTANT SAFETY INFORMATION** section at the beginning of this document including all text under subheadings therein before set up or use of this product.

**WARNING!** Follow all guidelines regarding chemicals sprayed, including MSDS instructions and EPA regulations.

**Note:** Before first use, spray half a tank full of water through the Sprayer.

1. Remove Tank Lid and fill Tank, through a strainer (sold separately), no higher than top fill line. Replace Tank Lid.

**WARNING!** Connect to breaker/fuse protected, switch-controlled circuit if permanently installing pump. Do not use with longer or thinner wires than those provided. Do not connect when wet or while standing on damp/wet ground.

2. Make sure the Harness is disconnected from the Pump Wiring.
3. Connect the Battery Clamps to the 12VDC source. Connect the **red** Clamp to the positive (+) post and connect the **black** Clamp to the negative (-) post.
4. Connect the Harness to the Pump wiring.

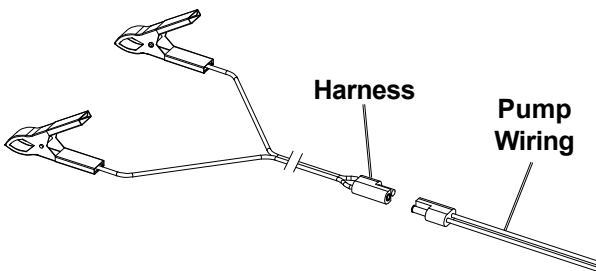


Figure G

5. **Note:** The pump operates on demand; it will run while the Trigger is depressed and stop when the Trigger is released.

6. Disengage the Trigger Safety Lock by collapsing it into the Trigger. Its purpose is to prevent the Trigger from being depressed accidentally.



Figure H

7. Point the Nozzle toward the area to be sprayed, then depress the Trigger to begin spraying.

**Note:** Stop spraying, then turn Nozzle to adjust spray pattern.

8. **When finished spraying:**
  - a. Engage the Trigger Safety Lock by swinging it into the groove in the Handle. (See Figure H.)
  - b. Disconnect the Harness from the Pump Wiring.
  - c. Disconnect the Battery Clamps from the 12VDC source.
  - d. Dispose of liquid according to manufacturer guidelines.
  - e. Clean the Sprayer according to Maintenance Instructions.



**GREENWOOD™**

## Inspection, Maintenance, and Cleaning



Procedures not specifically explained in this manual must be performed only by a qualified technician.

### **⚠️ WARNING**

**TO PREVENT SERIOUS INJURY FROM ACCIDENTAL OPERATION:**

**Disconnect Battery Clamps before performing any procedure in this section.**

**Do not use damaged equipment. If abnormal noise, vibration, or leaking air occurs, have the problem corrected before further use.**

**Follow all guidelines regarding chemicals sprayed, including MSDS instructions and EPA regulations.**

1. **BEFORE EACH USE**, inspect the general condition of the Sprayer. Check for:
  - loose hardware,
  - misalignment or binding of moving parts,
  - cracked or broken parts, and
  - any other condition that may affect its safe operation.
2. **AFTER EVERY USE**, clean the Sprayer:
  - a. Open Drain Cap to drain liquid from tank.
  - b. Flush Sprayer with water.
  - c. Clean Nozzle and Inlet Filter (7).
  - d. Rinse with water and allow to air-dry.
3. Store the Sprayer in a safe, dry, clean location out of reach of children and out of sunlight.

**Note:** When storing the Sprayer for an extended period of time, anti-freeze added to the rinse water will leave a rust inhibiting film in the Sprayer.



**GREENWOOD™**



# Troubleshooting

Problem	Possible Causes	Likely Solutions
Unit does not spray	<ol style="list-style-type: none"> <li>1. Power not connected.</li> <li>2. Internal Hose (8) detached.</li> <li>3. Not enough liquid in tank.</li> <li>4. Spray fluid contains particles or sand.</li> <li>5. Nozzle and/or Inlet Filter clogged with mineral buildup.</li> </ol>	<ol style="list-style-type: none"> <li>1. Connect power.</li> <li>2. Reattach Hose.</li> <li>3. Add liquid to tank.</li> <li>4. Disassemble, clean, then reassemble Nozzle and/or Inlet Filter (7). Empty, clean, then refill Tank with properly strained fluid.</li> <li>5. Disassemble, clean, then reassemble Nozzle and/or Inlet Filter.</li> </ol>
Spray pattern is uneven	<ol style="list-style-type: none"> <li>1. Nozzle needs adjustment.</li> <li>2. Spray fluid contains particles or sand.</li> <li>3. Nozzle and/or Inlet Filter clogged with mineral buildup.</li> </ol>	<ol style="list-style-type: none"> <li>1. Adjust Nozzle.</li> <li>2. Disassemble, clean, then reassemble Nozzle and/or Inlet Filter. Empty, clean, then refill Tank with properly strained fluid.</li> <li>3. Disassemble, clean, then reassemble Nozzle and/or Inlet Filter.</li> </ol>



**Follow all safety precautions whenever diagnosing or servicing the Sprayer.**



**GREENWOOD™**

## Parts List and Diagram

### PLEASE READ THE FOLLOWING CAREFULLY

THE MANUFACTURER AND/OR DISTRIBUTOR HAS PROVIDED THE PARTS LIST AND ASSEMBLY DIAGRAM IN THIS DOCUMENT AS A REFERENCE TOOL ONLY. NEITHER THE MANUFACTURER OR DISTRIBUTOR MAKES ANY REPRESENTATION OR WARRANTY OF ANY KIND TO THE BUYER THAT HE OR SHE IS QUALIFIED TO MAKE ANY REPAIRS TO THE PRODUCT, OR THAT HE OR SHE IS QUALIFIED TO REPLACE ANY PARTS OF THE PRODUCT. IN FACT, THE MANUFACTURER AND/OR DISTRIBUTOR EXPRESSLY STATES THAT ALL REPAIRS AND PARTS REPLACEMENTS SHOULD BE UNDERTAKEN BY CERTIFIED AND LICENSED TECHNICIANS, AND NOT BY THE BUYER. THE BUYER ASSUMES ALL RISK AND LIABILITY ARISING OUT OF HIS OR HER REPAIRS TO THE ORIGINAL PRODUCT OR REPLACEMENT PARTS THERETO, OR ARISING OUT OF HIS OR HER INSTALLATION OF REPLACEMENT PARTS THERETO.

### Parts List

Part	Description	Qty
1	Harness	1
2	Lid Tether	1
3	Tank	1
4	Filter	1
5	Washer	1
6	Tank Lid	1
7	Inlet Filter	1
8	Hose	1
9	Screw M5x20	4

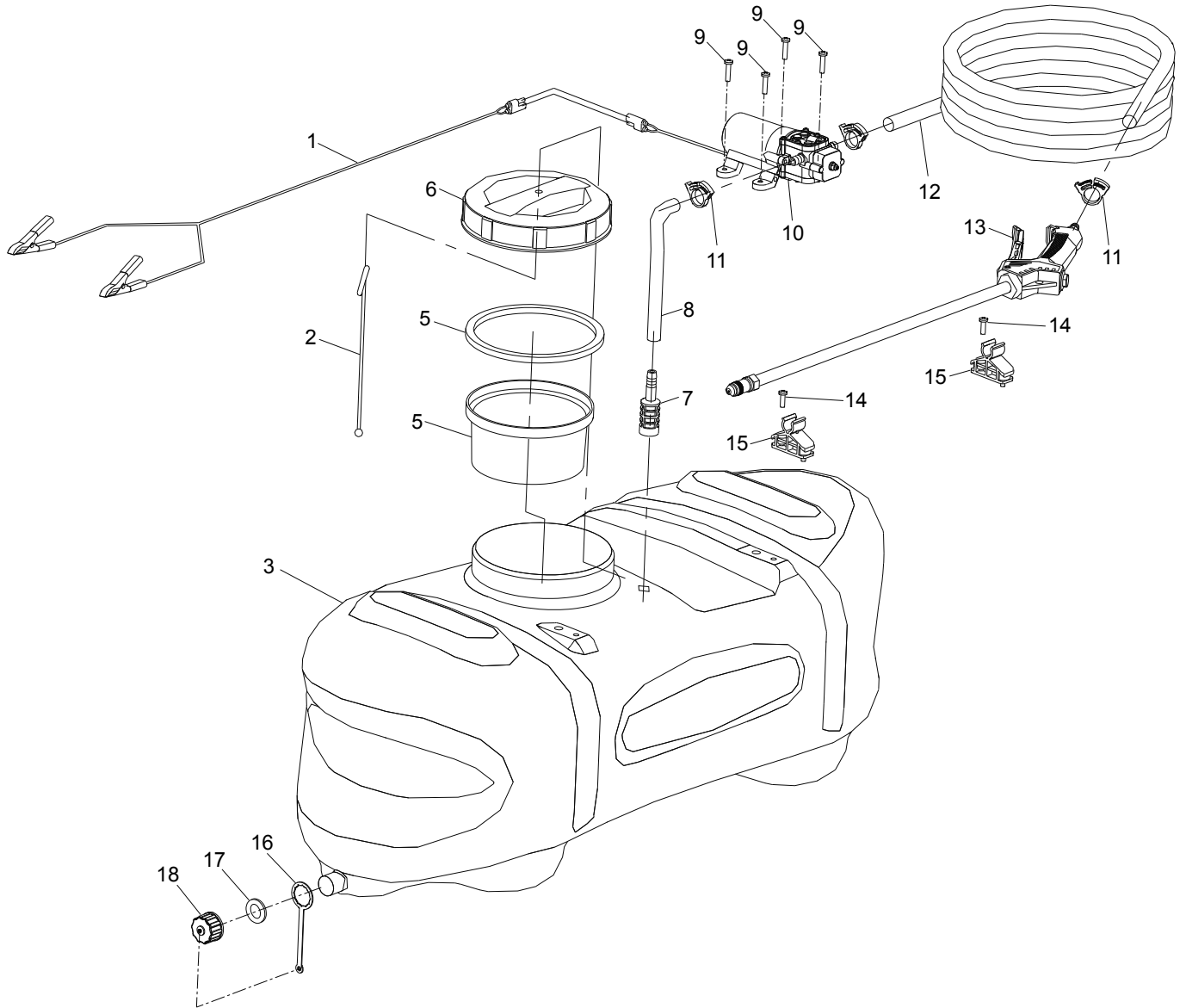
Part	Description	Qty
10	12VDC Diaphragm Pump	1
11	Hose Clamp	3
12	Hose	1
13	Wand Assembly	1
14	Screw M5x16	2
15	Wand Clip	2
16	Drain Cap Tether	1
17	Washer	1
18	Drain Cap	1

Record Serial Number Here:

**Note:** If product has no serial number, record month and year of purchase instead.

**Note:** Some parts are listed and shown for illustration purposes only, and are not available individually as replacement parts.

# Assembly Diagram



## Limited 90 Day Warranty

Harbor Freight Tools Co. makes every effort to assure that its products meet high quality and durability standards, and warrants to the original purchaser that this product is free from defects in materials and workmanship for the period of 90 days from the date of purchase. This warranty does not apply to damage due directly or indirectly, to misuse, abuse, negligence or accidents, repairs or alterations outside our facilities, criminal activity, improper installation, normal wear and tear, or to lack of maintenance. We shall in no event be liable for death, injuries to persons or property, or for incidental, contingent, special or consequential damages arising from the use of our product. Some states do not allow the exclusion or limitation of incidental or consequential damages, so the above limitation of exclusion may not apply to you. THIS WARRANTY IS EXPRESSLY IN LIEU OF ALL OTHER WARRANTIES, EXPRESS OR IMPLIED, INCLUDING THE WARRANTIES OF MERCHANTABILITY AND FITNESS.

To take advantage of this warranty, the product or part must be returned to us with transportation charges prepaid. Proof of purchase date and an explanation of the complaint must accompany the merchandise. If our inspection verifies the defect, we will either repair or replace the product at our election or we may elect to refund the purchase price if we cannot readily and quickly provide you with a replacement. We will return repaired products at our expense, but if we determine there is no defect, or that the defect resulted from causes not within the scope of our warranty, then you must bear the cost of returning the product.

This warranty gives you specific legal rights and you may also have other rights which vary from state to state.



**GREENWOOD™**

3491 Mission Oaks Blvd. • PO Box 6009 • Camarillo, CA 93011 • (800) 444-3353