



# ADJUSTABLE TOW BAR

5,000 LB. CAPACITY

**Model 94696**

## ASSEMBLY AND OPERATING INSTRUCTIONS



### WARNING!

#### IMPORTANT INFORMATION

This Tow Bar's Hitch Coupler **MUST** be properly secured to the hitch ball of the towing vehicle. After assembly and attachment, pull up and down on the Hitch Coupler to make sure the hitch ball is fitting snugly in the Hitch Coupler. **There must be no play between the hitch ball and Hitch Coupler.** If there is play, tighten the Adjustment Nut until no play is present. If the Adjustment Nut is too tight, the Handle will not lock. **Carefully read and follow the complete instructions in this manual BEFORE setup or use.**

If the Coupler is not secured properly, the ball could come loose while the trailer is in motion, possibly causing property damage, **SERIOUS PERSONAL INJURY, or DEATH.**

**Please note: Most vehicles will require custom brackets. For front towing of some vehicles, the vehicle's bumper will have to be removed first. If not experienced in setting up this type of equipment and installing brackets, assistance from a qualified service technician is recommended.**

Visit our website at: <http://www.harborfreight.com>



**Read this material before using this product.  
Failure to do so can result in serious injury.  
SAVE THIS MANUAL.**

Copyright© 2006 by Harbor Freight Tools®. All rights reserved. No portion of this manual or any artwork contained herein may be reproduced in any shape or form without the express written consent of Harbor Freight Tools. Diagrams within this manual may not be drawn proportionally. Due to continuing improvements, actual product may differ slightly from the product described herein. Tools required for assembly and service may not be included.

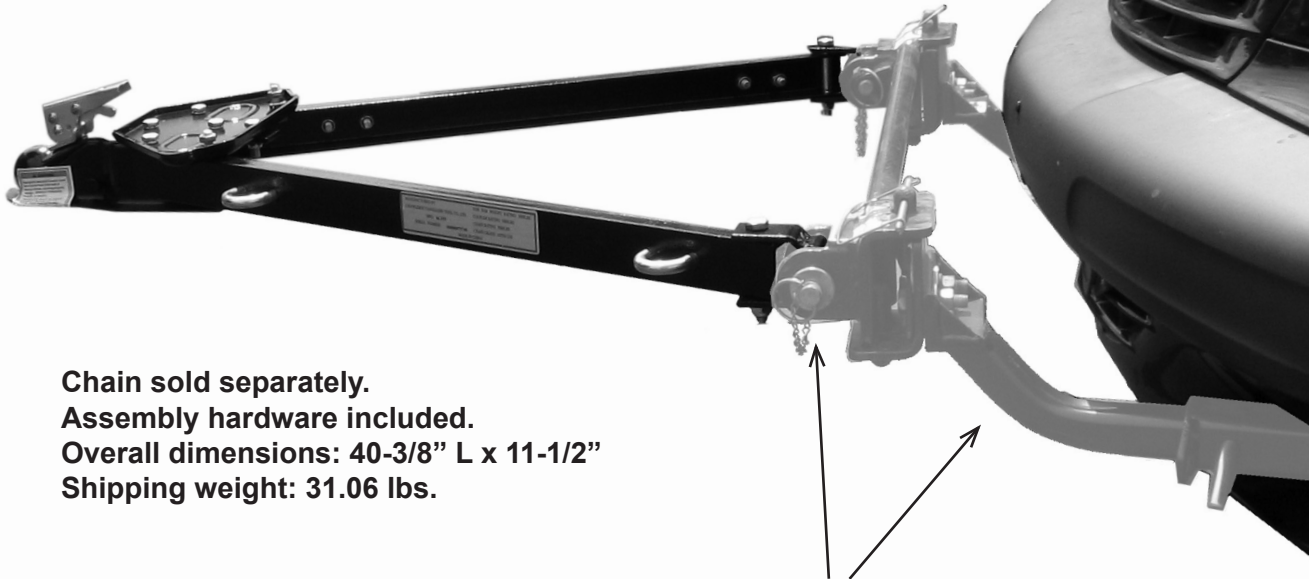
**For technical questions or replacement parts, please call 1-800-444-3353.**

**Includes two quick disconnect pull pins and 2" coupler for easy connection and disconnection from Mounting Bracket Assembly.**

**Arms open from 24" to 43"**

**Folds for easy storage**

**Gloss black enamel finish**



**Chain sold separately.  
Assembly hardware included.  
Overall dimensions: 40-3/8" L x 11-1/2"  
Shipping weight: 31.06 lbs.**

**After-market Mounting Bracket Assembly shown in light shaded gray is not included.**

## NOTICE

**CAN BE MODIFIED TO FIT MOST VEHICLES WITH MOUNTING BRACKET ASSEMBLY (Not Included) AS SHOWN IN LIGHT SHADED GRAY.**

1. Adjustable Tow Bar is designed as a bolt-on mount only. A mounting bracket assembly (not included) needs to be connected to your vehicle's frame or chassis and must extend beyond the bumper to install the Adjustable Tow Bar.
2. Under no circumstances should the Adjustable Tow Bar be welded to the vehicle nor should any of the mounting holes be altered. Must be mounted to vehicle by a qualified auto technician.



**Included bracket can be bolted directly to frame or bumper of some vehicles. Drilling of holes is required.**

## PRODUCT SPECIFICATIONS

ITEM	DESCRIPTION
Maximum Towing Capacity	5,000 lbs.
Coupler Ball Capacity	2"
Mounting Width Capacity	24" to 43"
Overall Dimensions	40-3/8" Long x 11-1/2" Wide
Unit Weight	29.20 lbs.

**Independently tested to comply with SAE J684 and V5 standards.**

**Note: Four (4) sets of safety chains are required but not included with Kit. SKU 92450 Frame Chain, 3/8" - 5' Length (4 sets required) can be used with this Adjustable Tow Bar. This sku is sold separately at Harbor Freight Tools.**

## UNPACKING

When unpacking, make sure all the parts and hardware shown on the **Parts List on page 11** are included. If any parts are missing or broken, please call Harbor Freight Tools at the number shown on the cover of this manual as soon as possible.

## SAVE THIS MANUAL

You will need this manual for the safety warnings and precautions, assembly, operating, inspection, maintenance and cleaning procedures, parts list and assembly diagram. Keep your invoice with this manual. Write the invoice number on the inside of the front cover. Keep this manual and invoice in a safe and dry place for future reference.

## GENERAL SAFETY RULES

### IMPORTANT SAFETY INSTRUCTIONS




**Read and adhere to the following instructions. Failure to read and obey all of the following instructions COMPLETELY will void the warranty and can result in damage to the Tow Bar, property damage, or SERIOUS PERSONAL INJURY. SAVE THESE INSTRUCTIONS.**

## WORK AREA

1. **Keep work area clean and dry.** Cluttered, damp, or wet work areas invite injuries.
2. **Keep children away from work area.** Do not allow children to play with or climb on this product.

REV 07a; 07b; 09h

3. **Store idle equipment.** When not in use, tools and equipment should be stored in a dry location to inhibit rust. Always lock up tools and equipment, and keep out of reach of children.
4. **Do not use this product if under the influence of alcohol or drugs.** Read warning labels on prescriptions to determine if your judgement or reflexes are impaired while taking drugs. If there is any doubt, do not attempt to use this product.
5.  **Use eye protection.** Wear ANSI approved safety impact eye goggles when assembling this product. ANSI approved safety impact eye goggles are available from Harbor Freight Tools.
6. **Dress safely.** Do not wear loose clothing or jewelry, as they can become caught in moving parts. Wear a protective hair covering to prevent long hair from becoming caught in moving parts. If wearing a long-sleeve shirt, roll sleeves up above elbows.
7. **Do not overreach.** Keep proper footing and balance at all times to prevent tripping, falling, back injury, etc.
8. **Industrial applications must follow OSHA requirements.**
9. **Stay alert.** Watch what you are doing at all times. Use common sense. Do not use this product when you are tired or distracted from the job at hand.

## EQUIPMENT USE AND CARE

1. **Check for damaged parts.** Before using this product, carefully check that it will operate properly and perform its intended function. Check for damaged parts and any other conditions that may affect the operation of this product. Replace or repair damaged or worn parts immediately.
2. **Replacement parts and accessories:** When servicing, use only identical replacement parts. Only use accessories intended for use with this product. Approved accessories are available from Harbor Freight Tools.
3. **Maintain this product with care.** Keep this product clean and dry for better and safer performance.
4. **Maintenance:** For your safety, service and maintenance should be performed regularly by a qualified technician.
5. **Use the right equipment for the job.** Do not attempt to force small equipment



to do the work of larger industrial equipment. There are certain applications for which this product was designed. It will do the job better and more safely at the capacity for which it was intended. Do not modify this product, and do not use this product for a purpose for which it was not intended.

## PRODUCT SERVICE

1. **Equipment service must be performed only by qualified repair personnel.** Service or maintenance performed by unqualified personnel could result in a risk of injury.
2. **When servicing equipment, use only identical replacement parts. Follow instructions in the “*Inspection, Maintenance, and Cleaning*” section of this manual.** Use of unauthorized parts or failure to follow maintenance instructions may create a risk of personal injury.

## SPECIFIC PRODUCT WARNINGS AND PRECAUTIONS

1. **To avoid personal injury and/or property damage, do not exceed the Tow Bar’s maximum towing capacity of 5,000 pounds or the maximum tongue weight of 750 pounds.** The towing capacity rating includes the towed vehicle, additional towing equipment, etc. The tongue weight capacity rating refers to the downward force exerted on the Hitch Ball (not included) by the towed vehicle including cargo onboard.
2. **Use a public, commercial scale to determine the actual weight of the towed vehicle and its payload.** Do not exceed the weight capacity of any towing equipment.
3. **Tow at your own risk.** Failure to heed and follow all instructions and warnings can result in a vehicle accident, personal injury and/or property damage. Harbor Freight Tools cannot be held responsible for any damage incurred while using the Tow Bar.
4. **Make sure to read and fully understand the *tow vehicle* manufacturer’s manual to determine the proper towing capacities.**
5. **Make sure to read and fully understand the *towed vehicle* manufacturer’s manual to determine the proper additional towing equipment needed.**
6. **Before each use, always examine the Tow Bar for loose bolts and nuts, structural cracks and bends, and any other condition that may affect its safe operation.** Do not use the Tow Bar even if minor damage appears.

7. **Before each use, always attach Safety Chains** (not included) **to the towing vehicle and towed vehicle.** Make sure the Safety Chains are attached to the towing vehicle with the same length for each side. Do not allow the Safety Chains to drag on the ground. Inspect the Safety Chains before every tow.
8. **Make sure to connect the electrical system from the towing vehicle to the towed vehicle.** Never tow a vehicle without the running lights and brake lights connected and in proper working condition.
9. **Make sure the Coupler and the vehicle's Hitch Ball** (not included) **are of equal mating size (2") and are rated equal to or greater than the weight of the towed vehicle and its payload.**
10. **Do not exceed 55 miles per hour when using the Tow Bar.** Excess speed is a major cause of vehicular accidents.
11.  **CAUTION! Care must be taken when backing up a towed vehicle. Only back up the towed vehicle on a straight path.** If the towed vehicle is allowed to turn off the straight path while backing up, the vehicle could jackknife, causing severe damage to the Tow Bar, towed vehicle, and towing vehicle.
12. **Maintain labels and nameplates on the Tow Bar.** These carry important information. If unreadable or missing, contact Harbor Freight Tools for a replacement.
13. **Never drive the towed vehicle while the Tow Bar is attached to the front.**
14. **Never tow a vehicle with passengers or animals riding in the towed vehicle.**
15. **Contact your local Department of Motor Vehicles (or other regulatory agency) for pertinent regulations before installation or use of this Tow Bar.** Always use this product in full accord with all federal, state, and local laws.
16. **Connection of this Tow Bar must only be attempted on flat, level ground.**
17.  **WARNING! Use extreme caution if a vehicle suddenly sways while being towed.** A vehicle that sways is extremely dangerous and can cause loss of control of the towing vehicle and towed vehicle. If swaying occurs, gradually slow down and drive to a safe location of the road to correct the problem. Do not brake suddenly or hard, as this will intensify the swaying and make the towing vehicle and towed vehicle even more difficult to control. Turbulence from another vehicle, wind gusts, downgrades, shifting cargo or tire failure also may be the cause of swaying. It is the driver's responsibility to assess the situation and take appropriate action. If the swaying problem cannot be corrected, seek help from a qualified towing professional.

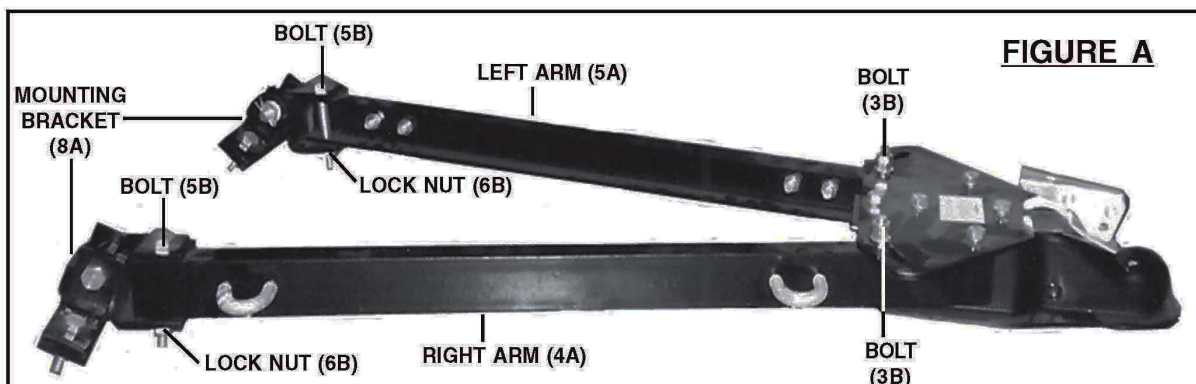
18. **Before every tow, check all towing equipment.** Repair or replace any damaged equipment. When towing over a long distance recheck all equipment at short, regular intervals. Make sure to check tire inflation for both the towing vehicle and towed vehicle.
19. **Drive safely.** When the weight of a towed vehicle is coupled to a towing vehicle, the effect of the additional weight will diminish the performance of the towing vehicle, resulting in decreased acceleration of the towing vehicle and increased stopping distances. The added weight will also cause an adverse affect on the towing vehicle's handling characteristics. Always reduce speed when towing a vehicle.
20. **WARNING!** The warnings, precautions, and instructions discussed in this manual cannot cover all possible conditions and situations that may occur. The operator must understand that common sense and caution are factors, which cannot be built into this product, but must be supplied by the operator.

## ASSEMBLY INSTRUCTIONS

**NOTE:** Most vehicles will require an after market mounting bracket assembly (not included), which then connects to the Tow Bar (see photos on page 2). Installing after-market mounting bracket assembly should be done by a qualified auto technician.

**NOTE:** On some vehicles the included Mounting Brackets (8A) can be bolted directly to frame or bumper. Instructions below cover the assembly and set up of the Tow Bar in these instances.

1. Loosen the two Bolts (3B), and spread apart the Right Arm (4A) and Left Arm (5A).  
**(See Figure A.)**
2. On the Right Arm (4A) and Left Arm (5A), unscrew the Lock Nuts (6B) and remove the Bolt (5B). Then slide the Mounting Brackets (8A) off the Right and Left Arms.  
**(See Figure A.)**
3. Select **two** locations in the front of the vehicle to be towed that fit ALL of the following criteria:
  - A. Can adequately support the entire towing weight of the vehicle without damage to the vehicle.
  - B. Have less than 5/8" mounting surface thickness, and can each support two



**FIGURE A**

1/2" diameter holes drilled 3.3" apart.

C. Are less than 43" but more than 24" apart.

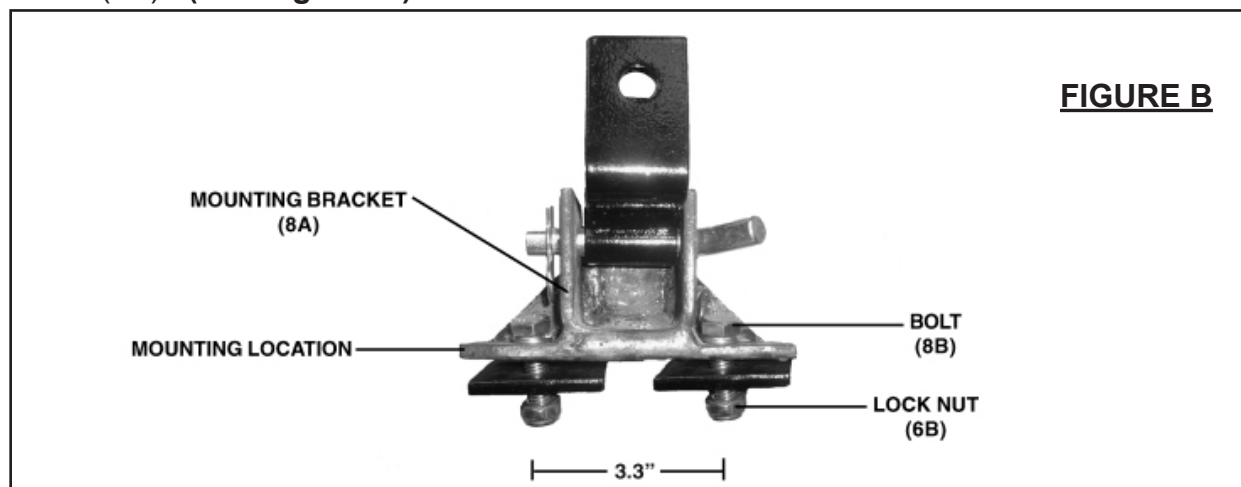
D. Can properly accommodate the protruding Bolts (8B), Support Plates (9A), and Lock Nuts (6B) needed for installation; allowing all the hardware to fit flush and level against a solid surface. **(See Assy. Diagram.)**

E. Are equally distant from the center of the vehicle, and are level.

F. Are free and clear from all electronics, sensors, or engine components.

G. Will not structurally weaken the vehicle.

3. After locations fitting all of the aforementioned requirements are found, drill the 1/2" diameter holes, 3.3" apart horizontally. Then install the Mounting Brackets (8A). **(See Figure B.)**



4. **⚠ WARNING!** If adequate mounting locations cannot be found or if there is any doubt about the suitability of the locations, have a professional mechanic install this product to the towed vehicle.
5. Re-attach the Tow Bar to the Mounting Brackets (8A). Re-tighten the two Bolts (3B). Then inspect the entire Tow Bar and tighten all nuts and bolts securely. **(See Figure A.)**

## OPERATING INSTRUCTIONS

1. Only use a 2" Hitch Ball (not included) on the towing vehicle. **(See Figure C, next page.)**

2.

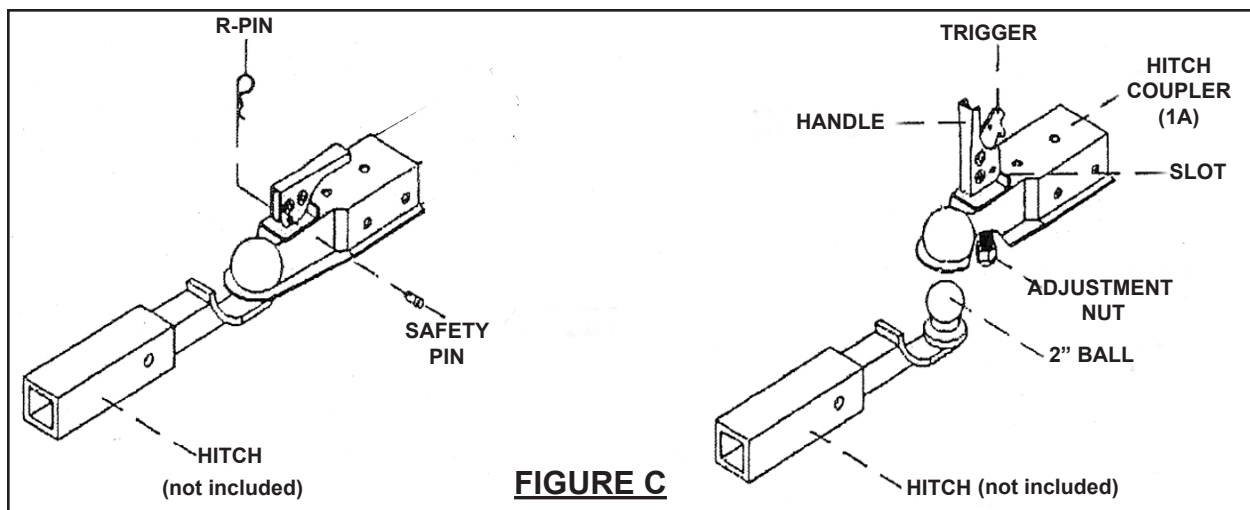
**⚠ WARNING!**

**IMPORTANT INFORMATION**

This Tow Bar's Hitch Coupler (1A) **MUST** be properly secured to the Hitch Ball of the towing vehicle. After assembly and attachment, pull up and down on the Hitch Coupler to make sure the Hitch Ball is fitting snugly in the Hitch Coupler. **There must be no play between the Hitch Ball and Hitch Coupler.** If there is play, tighten the Adjustment Nut until no play is present. If the Adjustment Nut is too tight, the Handle will not lock. **Carefully read and follow the complete instructions in this manual BEFORE setup or use.**

**If the Hitch Coupler is not secured properly, the Hitch Ball could come loose while the towed vehicle is in motion, possibly causing property damage, SERIOUS PERSONAL INJURY, or DEATH.**

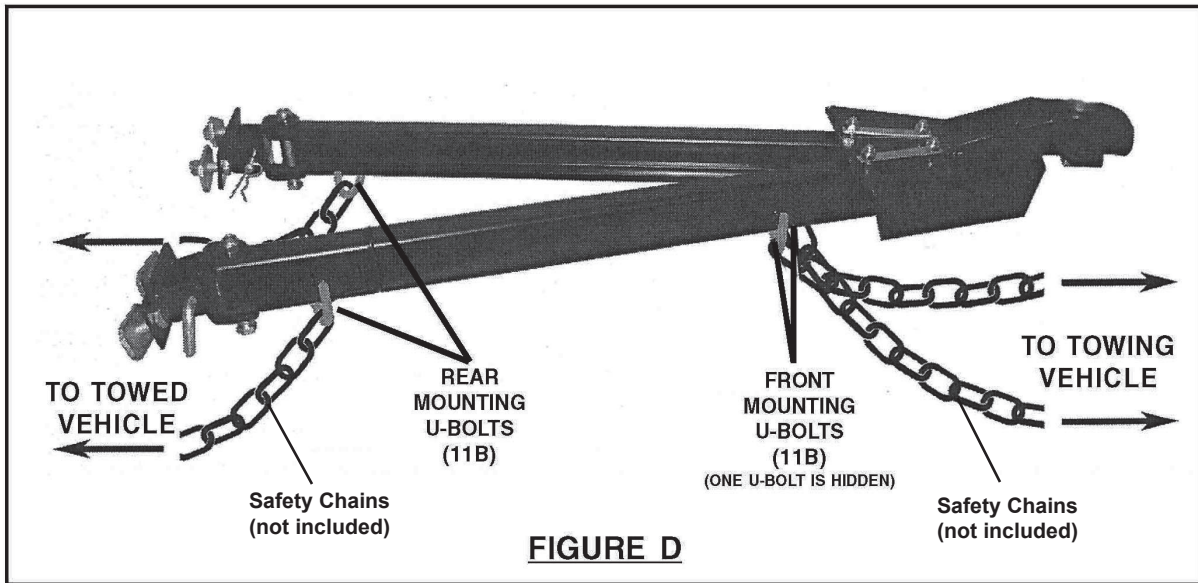
3. **NOTE:** To reduce friction between the 2" Hitch Ball (not included) and Hitch Coupler (1A), apply a layer of heavy grease over the Hitch Ball. **(See Figure C.)**
4. Temporarily remove the R-Pin and Safety Pin from the Hitch Coupler (1A). Then, pull up on the Trigger and lift up on the Handle. **(See Figure C.)**
5. With assistance, place the Hitch Coupler (1A) over the vehicle's Hitch Ball and push down on the Handle until the Trigger locks in the slot. Pull up and down on the Hitch Coupler to make sure the Hitch Ball is fitting snugly in the Hitch Coupler. **(See Figure C.)**
6. There should be no play between Hitch Ball and Hitch Coupler. If there is play, tighten the Adjustment Nut with a 19MM socket (not included) until no play is present. If the Nut is too tight, the Handle will not lock. **(See Figure C.)**
7. Re-install the Safety Pin and R-Pin. **(See Figure C.)**
8. Make sure to attach each side of an appropriate Safety Chains (not included) equally from the front mounting U-Bolt (11B) to the towing vehicle's rear



REV 07a; 09h



bumper or frame crossing them underneath the Hitch Coupler, leaving just enough slack to allow the vehicle to turn properly. **(See Figure D.)**

9. Attach another pair of Safety Chains (not included) from the rear mounting U-Bolt (11B) underneath the Right and Left Arms (4A, 5A) to the frame of the towed vehicle as close to the front as possible. Allow enough slack for the Tow Bar to pivot, but that is all. **(See Figure D.)**



10. Connect the towing light wiring system (not included) according to its instructions. **NOTE: Make sure to consult the operator's manual of the towing vehicle for proper connection instructions.**
11. **⚠ CAUTION!** Do not attempt to back up while using this Tow Bar. If the towed vehicle is allowed to turn off the straight path while backing up, the towed vehicle could jackknife, causing severe damage to the towed vehicle and to the towing vehicle. Even if the towed vehicle does not jackknife, backing up may damage the Tow Bar and towed vehicle, and the towed vehicle will not be able to be controlled properly.
12. Disengage the parking brake of the vehicle to be towed. Set the transmission to the neutral position. Steering wheel of towed vehicle must be free to turn. **If the towed vehicle is not properly prepared for towing, property damage or severe personal injury may result.**
13. When towing the vehicle over long distances stop and check the tightness of all connections, *at least* every 100 miles.

## INSPECTION, MAINTENANCE, AND CLEANING

1.  **WARNING!** Before driving a towed vehicle, always remove the Tow Bar. Remove the Tow Bar from the towed vehicle before performing any inspection, maintenance, or cleaning.
2. **Before each use:** Inspect the general condition of the Tow Bar. Check for cracks and bends in the product, loose or improper mounting, loose Bolts or Nuts, loose Hitch Coupler connection, and any other condition that may affect its safe operation. If abnormal noise or vibration occurs, release the load from the Tow Bar immediately and have the problem corrected before further use.  
**Do not use damaged equipment.**
3. Do not use solvents to wipe off the Tow Bar, as damage may result. If necessary, wipe with a damp cloth and mild detergent.
4.  **CAUTION!** All maintenance, service, or repairs listed in this manual are only to be attempted by a qualified service technician.

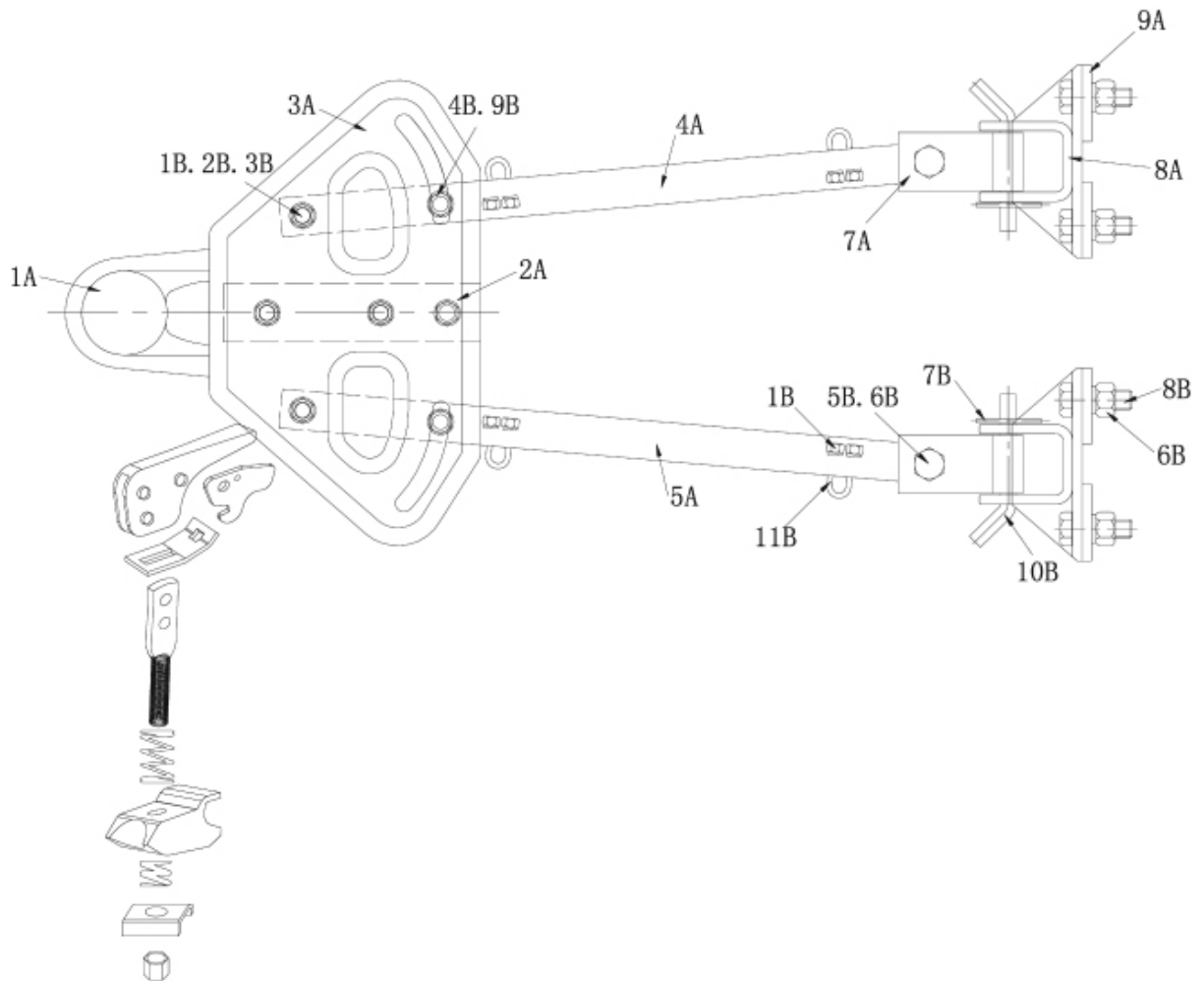
## PLEASE READ THE FOLLOWING CAREFULLY

THE MANUFACTURER AND/OR DISTRIBUTOR HAS PROVIDED THE PARTS LIST AND ASSEMBLY DIAGRAM IN THIS MANUAL AS A REFERENCE TOOL ONLY. NEITHER THE MANUFACTURER OR DISTRIBUTOR MAKES ANY REPRESENTATION OR WARRANTY OF ANY KIND TO THE BUYER THAT HE OR SHE IS QUALIFIED TO MAKE ANY REPAIRS TO THE PRODUCT, OR THAT HE OR SHE IS QUALIFIED TO REPLACE ANY PARTS OF THE PRODUCT. IN FACT, THE MANUFACTURER AND/OR DISTRIBUTOR EXPRESSLY STATES THAT ALL REPAIRS AND PARTS REPLACEMENTS SHOULD BE UNDERTAKEN BY CERTIFIED AND LICENSED TECHNICIANS, AND NOT BY THE BUYER. THE BUYER ASSUMES ALL RISK AND LIABILITY ARISING OUT OF HIS OR HER REPAIRS TO THE ORIGINAL PRODUCT OR REPLACEMENT PARTS THERETO, OR ARISING OUT OF HIS OR HER INSTALLATION OF REPLACEMENT PARTS THERETO.

## PARTS LIST & ASSEMBLY DIAGRAM

Part#	Description	Qty
1A	COUPLER	1
2A	COUPLER BASE	1
3A	ADJUSTABLE PLATE	1
4A	RIGHT ARM	1
5A	LEFT ARM	1
7A	ARM BRACKET	2
8A	MOUNTING BRACKET	2
9A	SUPPORT PLATE	4
1B	M10 LOCK NUT	13
2B	SPRING WASHER	5

Part#	Description	Qty
3B	BOLT(M10X35)	7
4B	NUT W/WASHER (M10)	2
5B	BOLT (M12X85)	2
6B	LOCK NUT (M12)	6
7B	HAIRPIN (2.5 mm)	2
8B	BOLT (M12X41)	4
9B	NUT M10	2
10B	LATCH 12 mm	2
11B	U-BOLT (M10)	4



---

## LIMITED 90 DAY WARRANTY

---

Harbor Freight Tools Co. makes every effort to assure that its products meet high quality and durability standards, and warrants to the original purchaser that this product is free from defects in materials and workmanship for the period of 90 days from the date of purchase. This warranty does not apply to damage due directly or indirectly, to misuse, abuse, negligence or accidents, repairs or alterations outside our facilities, criminal activity, improper installation, normal wear and tear, or to lack of maintenance. We shall in no event be liable for death, injuries to persons or property, or for incidental, contingent, special or consequential damages arising from the use of our product. Some states do not allow the exclusion or limitation of incidental or consequential damages, so the above limitation of exclusion may not apply to you. THIS WARRANTY IS EXPRESSLY IN LIEU OF ALL OTHER WARRANTIES, EXPRESS OR IMPLIED, INCLUDING THE WARRANTIES OF MERCHANTABILITY AND FITNESS.

To take advantage of this warranty, the product or part must be returned to us with transportation charges prepaid. Proof of purchase date and an explanation of the complaint must accompany the merchandise. If our inspection verifies the defect, we will either repair or replace the product at our election or we may elect to refund the purchase price if we cannot readily and quickly provide you with a replacement. We will return repaired products at our expense, but if we determine there is no defect, or that the defect resulted from causes not within the scope of our warranty, then you must bear the cost of returning the product.

This warranty gives you specific legal rights and you may also have other rights which vary from state to state.

***3491 Mission Oaks Blvd. • PO Box 6009 • Camarillo, CA 93011 • (800) 444-3353***