

CENTRAL PNEUMATIC®  
**Professional**

# 3" COMPOSITE AIR CUT-OFF TOOL

**Model 95028**

## ASSEMBLY AND OPERATING INSTRUCTIONS



Due to continuing improvements, actual product may differ slightly from the product described herein.



3491 Mission Oaks Blvd., Camarillo, CA 93011  
Visit our Web site at <http://www.harborfreight.com>

**TO PREVENT SERIOUS INJURY,  
READ AND UNDERSTAND ALL WARNINGS  
AND INSTRUCTIONS BEFORE USE.**

Copyright© 2006 by Harbor Freight Tools®. All rights reserved. No portion of this manual or any artwork contained herein may be reproduced in any shape or form without the express written consent of Harbor Freight Tools.

**For technical questions and replacement parts, please call 1-800-444-3353.**

## Specifications

Maximum RPM	20,000 RPM at 90 PSI
Maximum Air Pressure	90 PSI
Air Consumption	5 CFM at 90 PSI
Air Inlet Diameter	1/4" - 18 NPT (female inlet)
Spindle Diameter	3/8"
Accessories	3" Diameter Cut-Off Wheel 14 mm Spanner Wrench 5 mm Hex Key
Overall Dimensions	3-3/8" D X 7-3/8" L X 3" H
Weight	1.8 lbs.

## Save This Manual

You will need the manual for the safety warnings and precautions, assembly instructions, operating and maintenance procedures, parts list and diagram. Keep your invoice with this manual. Write the invoice number on the inside of the front cover. Keep the manual and invoice in a safe and dry place for future reference.

## Safety Warnings and Precautions

**WARNING: When using tool, basic safety precautions should always be followed to reduce the risk of personal injury and damage to equipment.**

**Read all instructions before using this tool!**

1. **Keep work area clean.** Cluttered areas invite injuries.
2. **Do not operate pneumatic tools in explosive atmospheres, such as in the presence of flammable liquids, gases, or dust.** Pneumatic tools create sparks which may ignite flammables..
3. **Keep children away.** Children must never be allowed in the work area. Do not let them handle machines, tools, extension cords, or air hoses.
4. **Store idle equipment.** When not in use, tools must be stored in a dry location to inhibit rust. Always lock up tools and keep out of reach of children.
5. **Use the right tool for the job.** Do not attempt to force a small tool or attachment to do the work of a larger industrial tool. There are certain applications for which this tool was designed. It will do the job better and more safely at the rate for which it was intended. Do not modify this tool and do not use this tool for a purpose for which it was not intended.

6. **Stay alert. Watch what you are doing and use common sense when operating a pneumatic tool. Do not use a pneumatic tool while tired or under the influence of drugs, alcohol or medication.** Doing so may result in serious personal injury.
7. **Dress properly. Do not wear loose clothing or jewelry. Contain long hair. Keep your hair, clothing, and gloves away from moving parts.** Loose clothes, jewelry, or long hair can be caught in moving parts.
8. **Avoid accidental starting. Be sure the Trigger Lever (14) is off before connecting to the air supply.** Carrying pneumatic tools with your finger on the Trigger, or connecting pneumatic tools to the air supply with the Trigger on, invites accidents.
9. **Remove adjusting keys or wrenches before turning on the tool.** A wrench or a key that is left attached to a rotating part of the tool may result in personal injury.
10. **Do not overreach. Keep proper footing and balance at all times.** Proper footing and balance enables better control and of the toll in unexpected situations.
11. **Use safety equipment. Always wear ANSI-approved safety glasses underneath a full face shield, and hearing protection.**
12. **Replacement parts and accessories.** When servicing, use only identical replacement parts. Use of any other parts will void the warranty. Only use accessories intended for use with this tool. Approved accessories are available from Harbor Freight Tools.
13. **Do not operate tool if under the influence of alcohol or drugs.** Read warning labels if taking prescription medicine to determine if your judgement or reflexes are impaired while taking drugs. If there is any doubt, do not operate the Cut-Off Tool.
14. **Use proper size and type extension cord.** If an extension cord is required, it must be of the proper size and type to supply the correct current to the compressor without heating up. Otherwise, the extension cord could melt and catch fire, or cause electrical damage to the compressor. Check your air compressor's manual for the appropriate size cord.
15. **Maintenance.** For your safety, maintenance should be performed regularly by a qualified technician.
16. **Compressed air only.** Use clean, dry regulated, compressed air at 90 PSI. Never use oxygen, carbon dioxide, combustible gases, or any other bottled gas as a power source for this tool.
17. **When connecting to the air supply:** Prior to each use, if an automatic oiler is not used, add two drops of air tool oil (not included) into the Air Inlet (13) fitting of the Cut-Off Tool.
18. **Always disconnect the Cut-Off Tool from its compressed air supply source, and squeeze the Trigger Lever (14) to release all compressed air in the tool before performing any maintenance or services.**

**Note:** Performance of the compressor (if powered by line voltage) may vary depending on variations in local line voltage. Extension cord usage may also affect tool performance.

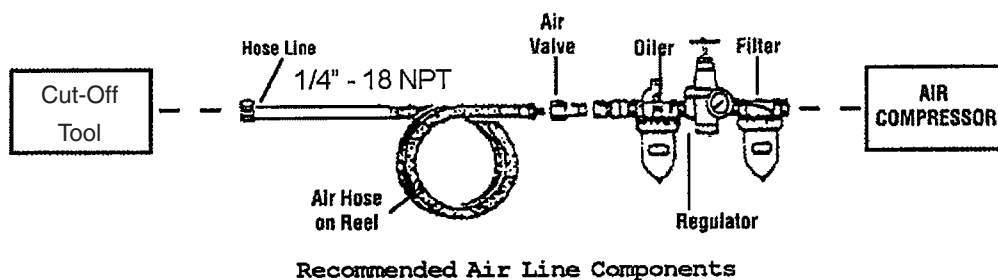
19. Industrial applications must follow OSHA requirements.
20. **Warning: Use 3" Cutting Disc. Only use a standard 3" cutting disc (rated at 20,000 RPM or greater) with this Cut-Off Tool. Never use any other kind of disc, blade or cutter. Do not bind the cut-off wheel/disc.**
21. **Warning: Some dust created by power sanding, sawing, grinding, drilling and other construction activities contain chemicals known (to the State of California) to cause cancer, birth defects or other reproductive harm. Some examples of these chemicals are: lead from lead-based paints, crystalline silica from bricks and cement or other masonry products, arsenic and chromium from chemically treated lumber. Your risk from these exposures varies, depending on how often you do this type of work. To reduce your exposure to these chemicals: work in a well ventilated area and work with approved safety equipment, such as those dust masks that are specifically designed to filter out microscopic particles (California Health & Safety Code 25249.5, et seq.)**

## Unpacking

When unpacking, check to make sure the parts listed on page 7 are included. If any parts are missing or broken, please call Harbor Freight Tools at the number on the cover of this manual as soon as possible.

## Assembly and Operating Instructions

For best service, you should incorporate an oiler, regulator, and inline filter, as shown in the diagram above. Hoses, couplers, oilers, regulators, and filters are all available at Harbor Freight Tools.



## Assembly and Operation Instructions (continued)

**Note:** Performance of the compressor (if powered by line voltage) may vary depending on variations in local line voltage. Extension cord usage may also affect tool performance.

1. You will need to prepare a 1/4" air connector (sold separately) to connect to the Air Inlet (13) on the Air Cut-Off Tool. First, wrap the 1/4" air connector (not included) with pipe thread seal tape before threading into the Air Inlet (13). Connect a 3/8" I.D. Air Source Hose to the Cut-Off Tool.

**Note:** If you are not using an automatic oiler system, before operation add a few drops of Pneumatic Tool Oil to the airline connection. Add a few more drops after each hour of continual use.

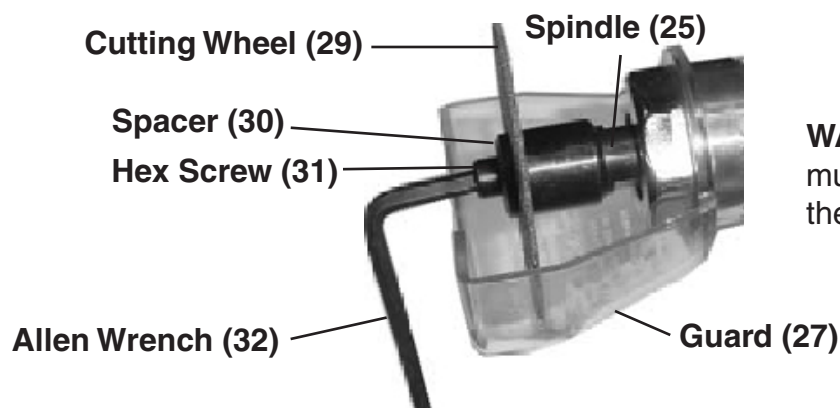
2. Set the air pressure on your compressor to 90 PSI. Do not exceed the recommended air pressure of 90 PSI.
3. Check the air connection for leaks.
4. Disconnect the air hose until instructed to reconnect.
5. After disconnecting the air supply, squeeze the Trigger Lever (14) to make sure no air remains in the unit.

### Assembly:

The only assembly required is the mounting of the Cutting Wheel (29).

**Warning:** the Cut-Off Tool must be disconnected from the air supply when changing the Cutting Wheel (29). After disconnecting the air supply, squeeze the Trigger Lever (14) to make sure no air remains in the unit.

1. Place the Wrench (33) on the flats of the Spindle (25) to hold it in place.
2. Using the Allen Wrench (32), loosen and remove Hex Screw (31) and Spacer (30).
3. Remove and replace the Cutting Wheel (29).
4. Replace the Hex Screw (31) and the Spacer (30). Tighten the Hex Screw (31) while holding the Spindle (25) in place with the Wrench (33). **See Figure 1.**



**WARNING:** The Guard (27) must be in place when using the Cut-Off Tool.

Figure 1

## Assembly and Operation Instructions (continued)

**WARNING:** Always check the Cutting Wheel (29) for possible wear. Do not use a worn, torn, or defective cutting wheel.

**WARNING:** Position the Cut-Off Tool so that the attached guard is in position between you and the workpiece to protect you from flying debris.

**WARNING:** The Guard (27) must always be attached to the Cut-Off Tool.

1. Check the Cutting Wheel (29) for wear, Replace if necessary.
2. Set the compressor to 90 PSI. Do not exceed 90 PSI.
3. Connect the Cut-Off Tool to the air hose as explained on Page 5 of this manual.
4. **Use both hands to grip the Cut-Off Tool.** Gently squeeze down on the Trigger Lever (14). Allow the Cut-Off Tool to run for a few seconds before approaching the workpiece.
5. Let the Cut-Off Tool do the work. Do not apply force on the workpiece.
6. When finished, release the Trigger Lever (14).
7. Disconnect the Air Hose.
8. Gently squeeze down on the Trigger Lever (14) to release any air that might still remain in the Cut-Off Tool.

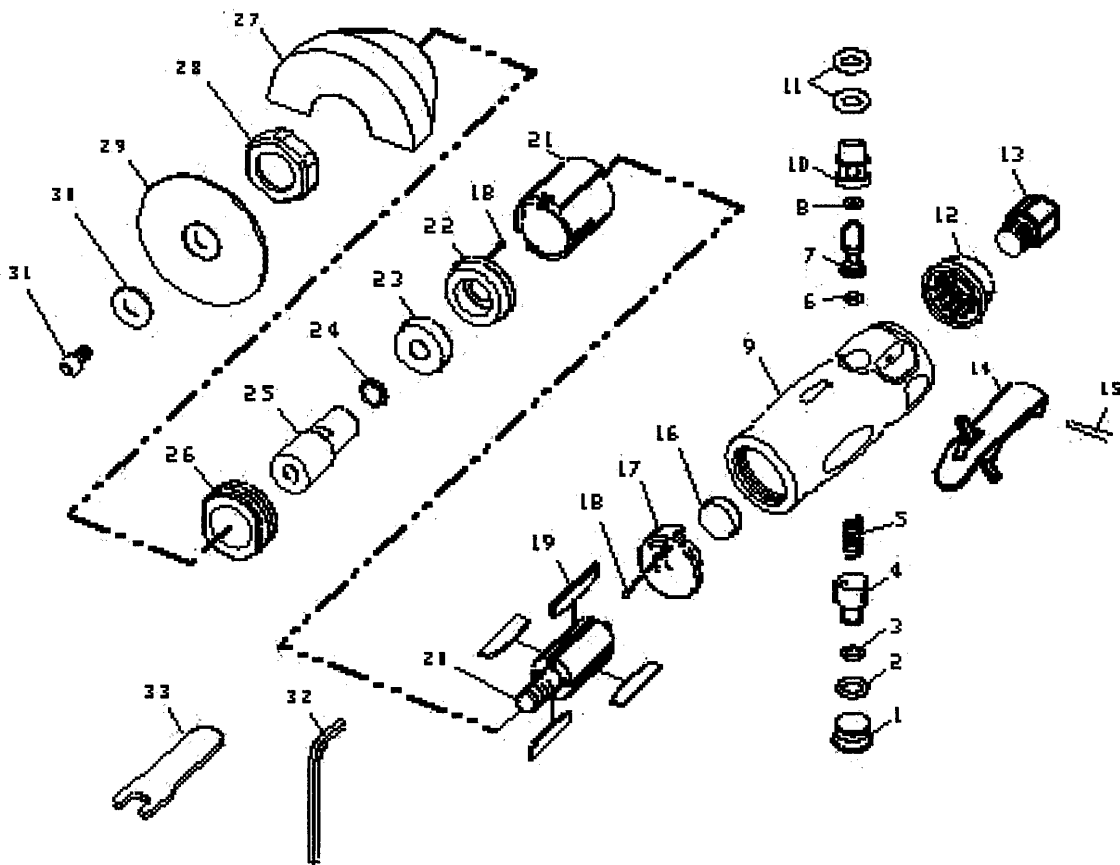
## Inspection, Maintenance, and Cleaning

1. **Warning: Always release any excess air, make sure the Trigger Lever (14) is in its “OFF” position, and disconnect the Cut-Off Tool from its compressed air supply before performing any inspection, adjustments, maintenance, or cleaning.**
2. **Before each use,** inspect the general condition of the Cut-Off Tool. Check for loose screws, misalignment or binding of moving parts, cracked or broken parts, damaged air hose, and any other condition that may affect its safe operation. If abnormal noise or vibration occurs, have the problem corrected before further use. **Never use damaged equipment.**
3. **After each use,** wipe down the Cut-Off Tool with a clean cloth, remove all dirt, oil, and grease from the Cut-Off Tool. If necessary, you may use a mild detergent. Do not use solvents, as damage to the Cut-Off Tool may occur. Do not immerse the Cut-Off Tool in any liquids.

## Parts List and Diagram

Part	Description	Q'ty
1	Plug Screw	1
2	O-Ring	1
3	O-Ring	1
4	Air Regulator	1
5	Valve Spring	1
6	O-Ring	1
7	Valve Stem	1
8	O-Ring	1
9	Motor Housing	1
10	Valve Bushing	1
11	O-Ring	2
12	Muffler	1
13	Air Inlet	1
14	Trigger Lever	1
15	Lever Pin	1
16	Bearing	1
17	Bearing Plate	1

Part	Description	Q'ty
18	Ball	2
19	Rotor Blade	4
20	Rotor	1
21	Cylinder	1
22	Bearing Plate	1
23	Bearing	1
24	Washer	1
25	Spindle	1
26	Lock Ring	1
27	Guard	1
28	Nut	1
29	Cutting Wheel	1
30	Spacer	1
31	Hex Screw	1
32	Allen Wrench	1
33	Wrench	1



**NOTE:** Some parts are listed and shown for illustration purposes only and are not available individually as replacement parts.

## Warranty



**CENTRAL PNEUMATIC®**  
**Professional**

**LIMITED 1 YEAR WARRANTY**

Harbor Freight Tools Co. makes every effort to assure that its products meet high quality and durability standards, and warrants to the original purchaser that this product is free from defects in materials and workmanship for the period of 1 year from the date of purchase. This warranty does not apply to damage due directly or indirectly, to misuse, abuse, negligence or accidents, repairs or alterations outside our facilities, or to lack of maintenance. We shall in no event be liable for death, injuries to persons or property, or for incidental, contingent, special or consequential damages arising from the use of our product. Some states do not allow the exclusion or limitation of incidental or consequential damages, so the above limitation of exclusion may not apply to you. THIS WARRANTY IS EXPRESSLY IN LIEU OF ALL OTHER WARRANTIES, EXPRESS OR IMPLIED, INCLUDING THE WARRANTIES OF MERCHANTABILITY AND FITNESS.

To take advantage of this warranty, the product or part must be returned to us with transportation charges prepaid. Proof of purchase date and an explanation of the complaint must accompany the merchandise. If our inspection verifies the defect, we will either repair or replace the product at our election or we may elect to refund the purchase price if we cannot readily and quickly provide you with a replacement. We will return repaired products at our expense, but if we determine there is no defect, or that the defect resulted from causes not within the scope of our warranty, then you must bear the cost of returning the product.

This warranty gives you specific legal rights and you may also have other rights which vary from state to state.

**3491 Mission Oaks Blvd. • PO Box 6009 • Camarillo, CA 93011 • (800) 444-3353**

### PLEASE READ THE FOLLOWING CAREFULLY

THE MANUFACTURER AND/OR DISTRIBUTOR HAS PROVIDED THE PARTS DIAGRAM IN THIS MANUAL AS A REFERENCE TOOL ONLY. NEITHER THE MANUFACTURER NOR DISTRIBUTOR MAKES ANY REPRESENTATION OR WARRANTY OF ANY KIND TO THE BUYER THAT HE OR SHE IS QUALIFIED TO MAKE ANY REPAIRS TO THE PRODUCT OR THAT HE OR SHE IS QUALIFIED TO REPLACE ANY PARTS OF THE PRODUCT. IN FACT, THE MANUFACTURER AND/OR DISTRIBUTOR EXPRESSLY STATES THAT ALL REPAIRS AND PARTS REPLACEMENTS SHOULD BE UNDERTAKEN BY CERTIFIED AND LICENSED TECHNICIANS AND NOT BY THE BUYER. THE BUYER ASSUMES ALL RISK AND LIABILITY ARISING OUT OF HIS OR HER REPAIRS TO THE ORIGINAL PRODUCT OR REPLACEMENT PARTS THERETO, OR ARISING OUT OF HIS OR HER INSTALLATION OF REPLACEMENT PARTS THERETO.