

Owner's Manual & Safety Instructions

Save This Manual Keep this manual for the safety warnings and precautions, assembly, operating, inspection, maintenance and cleaning procedures. Write the product's serial number in the back of the manual near the assembly diagram (or month and year of purchase if product has no number). Keep this manual and the receipt in a safe and dry place for future reference.

PITTSBURGH[®] AUTOMOTIVE

ITEM 92961

Bead Breaker



Visit our website at: <http://www.harborfreight.com>
Email our technical support at: productsupport@harborfreight.com

When unpacking, make sure that the product is intact and undamaged. If any parts are missing or broken, please call 1-888-866-5797 as soon as possible.

Copyright © 2005 by Harbor Freight Tools®. All rights reserved.

No portion of this manual or any artwork contained herein may be reproduced in any shape or form without the express written consent of Harbor Freight Tools. Diagrams within this manual may not be drawn proportionally. Due to continuing improvements, actual product may differ slightly from the product described herein. Tools required for assembly and service may not be included.

⚠ WARNING

**Read this material before using this product.
Failure to do so can result in serious injury.
SAVE THIS MANUAL.**

Specifications

Construction	Steel Rod and Tubing
Tire Size Capacity	most tire sizes fitting passenger car and light truck models
Features	4 Height Settings
Dimensions	23-1/4" H x 10-3/4" W x 2 7-1/4" L
Net Weight	22.30 Lbs.

This tool is ideal for breaking the beads of tires to inspect and repair the tire. It will accept a wide variety of tire sizes and types of tires. The 4-dimension cam lock will press the tire open at the best angle for dismounting from the wheel.

Save This Manual

You will need the manual for the safety warnings and precautions, assembly instructions, operating and maintenance procedures, parts list and diagram. Keep your invoice with this manual. Write the invoice number on the inside of the front cover. Keep the manual and invoice in a safe and dry place for future reference.

Safety Warnings and Precautions

WARNING: When using tool, basic safety precautions should always be followed to reduce the risk of personal injury and damage to equipment.

Read all instructions before using this tool!

1. **Keep work area clean.** Cluttered areas invite injuries.
2. **Observe work area conditions.** Do not use machines or power tools in damp or wet locations. Don't expose to rain. Keep work area well lit. Do not use electrically powered tools in the presence of flammable gases or liquids.
3. **Keep children away.** Children must never be allowed in the work area. Do not let them handle machines, tools, or extension cords.
4. **Store idle equipment.** When not in use, tools must be stored in a dry location to inhibit rust. Always lock up tools and keep out of reach of children.
5. **Use the right tool for the job.** Do not attempt to force a small tool or attachment to do the work of a larger industrial tool. There are certain applications for which this tool was designed. It will do the job better and more safely at the rate for which it was intended. Do not modify this tool and do not use this tool for a purpose for which it was not intended.
6. **Dress properly.** Do not wear loose clothing or jewelry as they can be caught

in moving parts. Protective, electrically non-conductive clothes and non-skid footwear are recommended when working. Wear restrictive hair covering to contain long hair.

7. **Use eye and ear protection.** Always wear ANSI approved impact safety goggles when working. Wear a full face shield if you are producing metal filings. Wear an ANSI approved dust mask or respirator when working around metal, wood, and chemical dusts and mists.
8. **Do not overreach.** Keep proper footing and balance at all times. Do not reach over or across running machines.
9. **Maintain tools with care.** Keep tools maintained and clean for better and safer performance. Follow instructions for lubricating and changing accessories. The handles must be kept clean, dry, and free from oil and grease at all times.
10. **Stay alert.** Watch what you are doing, use common sense. Do not operate any tool when you are tired.
11. **Check for damaged parts.** Before using any tool, any part that appears damaged should be carefully checked to determine that it will operate properly and perform its intended function. Check for alignment and binding of moving parts; any broken parts or mounting fixtures; and any other condition that may affect proper operation. Any part that is damaged should be properly repaired or replaced by a qualified technician.
12. **Replacement parts and accessories.** When servicing, use only identical replacement parts. Use of any other parts will void the warranty. Only use accessories intended for use with this tool. Approved accessories are available from Harbor Freight Tools.
13. **Do not operate tool if under the influence of alcohol or drugs.** Read warning labels on prescriptions to determine if your judgment or reflexes are impaired while taking drugs. If there is any doubt, do not operate the tool.
14. **Maintenance.** For your safety, service and maintenance should be performed regularly by a qualified technician.
15. **Only use this product on a flat, level, solid surface.**
16. **Do not use for aircraft purposes.**

Warning: The warnings, cautions, and instructions discussed in this instruction manual cannot cover all possible conditions and situations that may occur. It must be understood by the operator that common sense and caution are factors which cannot be built into this product, but must be supplied by the operator.

Unpacking

When unpacking, check to make sure the following parts are included.

6 pieces Bead Breaker Main Components

Small Parts Package including:

3-Hex Head Bolts

3-Large Wing Nuts

3-Split Lock Washers

2-Steel Pins

2-Steel Splitpins

Please review Parts List and Assembly Diagram on pages 8 and 9.

If any parts are missing or broken, please call Harbor Freight Tools at the number on the cover of this manual.

Assembly

Refer to the Assembly Drawing on page 8 while assembling.

1. Insert the Column (6) into the Base (1). Fix the Column (6) into place using a Bolt (3), Spring Washer (4) and Wing Nut (5). Hand tighten firmly, but allow the Column (6) to rotate on the Base (1).
2. Attach the Connecting Levers (2), as shown in the Assembly Diagram, using Bolts (3), Spring Washers (4) and Wing Nuts (5).
3. Attach the Breaker (10) to the Handle (11) using Pin (7), Flat Washer (8) and Split Pin (9). Turn the ends of the Split Pin out to prevent its coming loose.
4. Attach the Handle (11) to the Column (6) using Pin (7), Flat Washer (8) and Split Pin (9). Turn the ends of the Split Pin out to prevent its coming loose.

Operation

WARNING: Tires are usually pressurized. DO NOT break the bead on any tire unless you have ensured that all pressure has been released from the tire. Do this by relieving or removing the valve in the stem.

CAUTION: Tires sometimes contain fluids such as leak sealers. Use caution when breaking the bead to prevent any material in the tire from getting in your face, on equipment or otherwise injuring any person or animal or causing property damage.

CAUTION: Do not force this tool if it is not compatible to the size of the tire being worked on.

1. To inspect or repair a tire, first remove the wheel from the vehicle. Make sure the tire is basically clean so you can see any damage.
2. Place the tire flat on the Base (1).
3. Lift the Handle (11) up, and place the Breaker (10) on the tire bead.

NOTE: This tool has four settings for different tire widths. Adjust the Pin (7) in the slots at the top of the Column (6) as needed. Higher settings are for thicker tires. Lower settings are for thinner tires. Select a setting that best fits the tire you are working on.

4. Press the Handle (11) down to break the bead. If necessary, rotate the wheel to break the bead around its edge.
5. Repeat this process on the reverse side of the tire to completely loosen the tire from the wheel.

Maintenance

1. Periodically inspect this machine for loose bolts, bent or damaged components.
2. Regularly wipe down and clean this tool to keep it in best condition.
3. Occasionally lubricate the many hinge points of this tool with a medium weight oil.



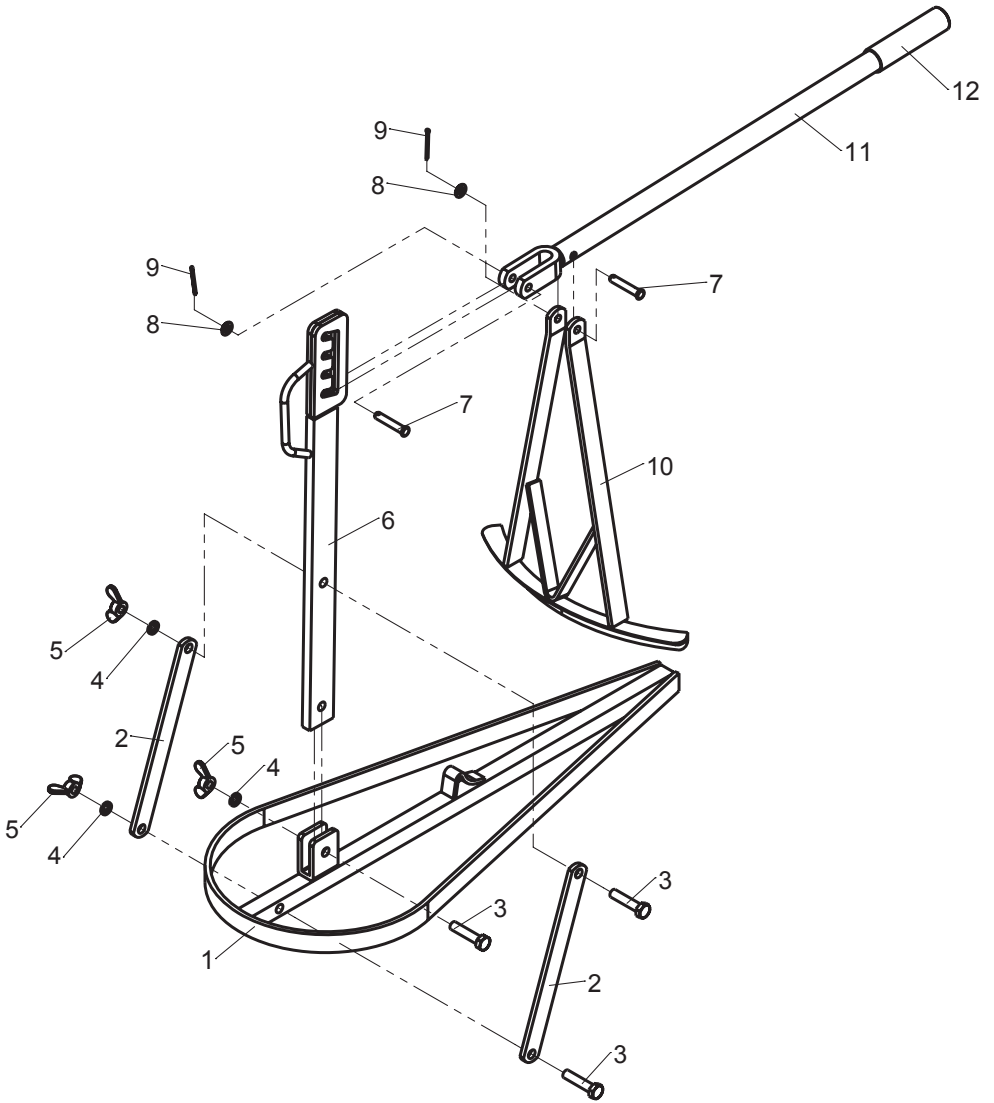
4. When not in use, store this tool in a dry place, protecting it from wet or corrosive atmosphere. Protect this tool from accidental damage by placing it in a storage area away from other work or traffic.

Parts List

Part #	Description	Qty
1	Base	1
2	Connecting Lever	2
3	Bolt m10 x 45	3
4	Spring Washer	3
5	Wing Nut m10	3
6	Column	1
7	Pin m8	2
8	Flat Washer m8	2
9	Split Pin m2.5	2
10	Breaker	1
11	Handle	1
12	Handle Grip	1

NOTE: Some parts are listed and shown for illustration purposes only and are not available individually as replacement parts.

Assembly Drawing



PLEASE READ THE FOLLOWING CAREFULLY

THE MANUFACTURER AND/OR DISTRIBUTOR HAS PROVIDED THE PARTS LIST AND ASSEMBLY DIAGRAM IN THIS DOCUMENT AS A REFERENCE TOOL ONLY. NEITHER THE MANUFACTURER OR DISTRIBUTOR MAKES ANY REPRESENTATION OR WARRANTY OF ANY KIND TO THE BUYER THAT HE OR SHE IS QUALIFIED TO MAKE ANY REPAIRS TO THE PRODUCT, OR THAT HE OR SHE IS QUALIFIED TO REPLACE ANY PARTS OF THE PRODUCT. IN FACT, THE MANUFACTURER AND/OR DISTRIBUTOR EXPRESSLY STATES THAT ALL REPAIRS AND PARTS REPLACEMENTS SHOULD BE UNDERTAKEN BY CERTIFIED AND LICENSED TECHNICIANS, AND NOT BY THE BUYER. THE BUYER ASSUMES ALL RISK AND LIABILITY ARISING OUT OF HIS OR HER REPAIRS TO THE ORIGINAL PRODUCT OR REPLACEMENT PARTS THERETO, OR ARISING OUT OF HIS OR HER INSTALLATION OF REPLACEMENT PARTS THERETO.

Limited 90 Day Warranty

Harbor Freight Tools Co. makes every effort to assure that its products meet high quality and durability standards, and warrants to the original purchaser that this product is free from defects in materials and workmanship for the period of 90 days from the date of purchase. This warranty does not apply to damage due directly or indirectly, to misuse, abuse, negligence or accidents, repairs or alterations outside our facilities, criminal activity, improper installation, normal wear and tear, or to lack of maintenance. We shall in no event be liable for death, injuries to persons or property, or for incidental, contingent, special or consequential damages arising from the use of our product. Some states do not allow the exclusion or limitation of incidental or consequential damages, so the above limitation of exclusion may not apply to you. THIS WARRANTY IS EXPRESSLY IN LIEU OF ALL OTHER WARRANTIES, EXPRESS OR IMPLIED, INCLUDING THE WARRANTIES OF MERCHANTABILITY AND FITNESS.

To take advantage of this warranty, the product or part must be returned to us with transportation charges prepaid. Proof of purchase date and an explanation of the complaint must accompany the merchandise. If our inspection verifies the defect, we will either repair or replace the product at our election or we may elect to refund the purchase price if we cannot readily and quickly provide you with a replacement. We will return repaired products at our expense, but if we determine there is no defect, or that the defect resulted from causes not within the scope of our warranty, then you must bear the cost of returning the product.

This warranty gives you specific legal rights and you may also have other rights which vary from state to state.

PITTSBURGH[®] AUTOMOTIVE