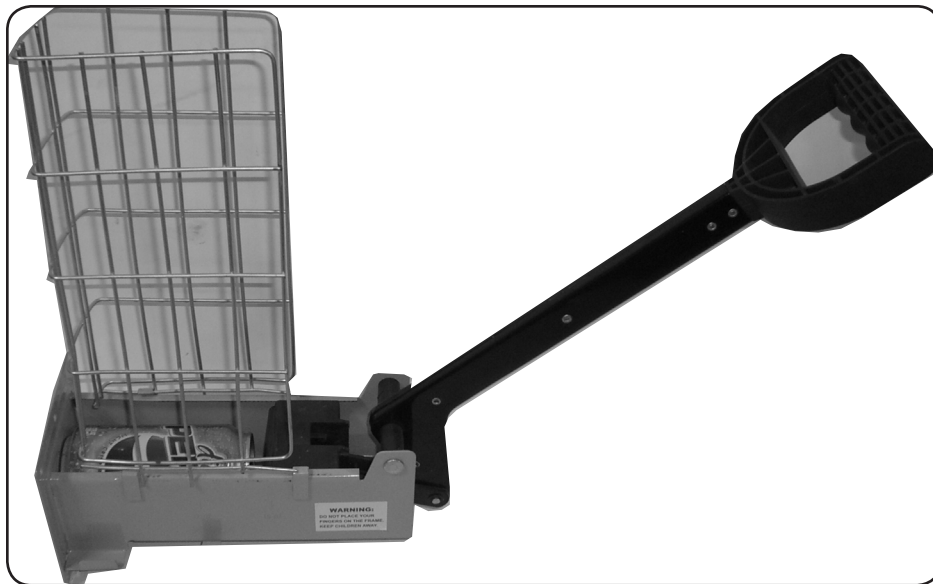


CAN CRUSHER

Model 95678

ASSEMBLY AND OPERATION INSTRUCTIONS



Due to continuing improvements, actual product may differ slightly from the product described herein.



3491 Mission Oaks Blvd., Camarillo, CA 93011

Visit our website at: <http://www.harborfreight.com>

**TO PREVENT SERIOUS INJURY, READ AND UNDERSTAND
ALL WARNINGS AND INSTRUCTIONS BEFORE USE.**

Copyright© 2006 by Harbor Freight Tools®. All rights reserved. No portion of this manual or any artwork contained herein may be reproduced in any shape or form without the express written consent of Harbor Freight Tools.

For technical questions or replacement parts, please call 1-800-444-3353.

SPECIFICATIONS

Overall dimensions - Handle up: 11-3/4"L X 4-3/4"W X 17-3/4" H	Maximum Can Holder quantity: 6 cans
Maximum can size: 16 OZ	Wire Basket dimensions: 5-1/8"L X 11-3/8"H X 3-5/16"W
Handle construction: High impact ABS plastic	Frame construction: Heavy duty welded sheet steel
Wire Basket construction: Zinc chrome plated steel	Crusher Arm length: 15"

NOTE: This Can Crusher is of heavy duty steel construction and the chrome plated Wire Basket holds up to six cans for fast crushing action. The 15" long arm gives quick, easy leverage. Crushed cans drop out of the bottom for fast storage.

Save This Manual

You will need this manual for the safety warnings and precautions, assembly, operating, inspection, maintenance and cleaning procedures, parts list and assembly diagram. Keep your invoice with this manual. Write the invoice number on the inside of the front cover. Write the product's serial number in the back of the manual near the assembly diagram, or write month and year of purchase if product has no number. Keep this manual and invoice in a safe and dry place for future reference.

GENERAL SAFETY RULES



READ AND UNDERSTAND ALL INSTRUCTIONS
Failure to follow all instructions listed below may result in electric shock, fire, and/or serious injury.
SAVE THESE INSTRUCTIONS

PERSONAL SAFETY

1. **Stay alert. Watch what you are doing, and use common sense when operating.**
2. **Dress properly.** Loose clothes, jewelry, or long hair can be caught in moving parts.
3. **Do not overreach. Keep proper footing and balance at all times.** Proper footing and balance enables better control.

4. **Always wear eye protection and work gloves.** Always wear ANSI-approved safety goggles and work gloves when using or performing maintenance on this tool.

TOOL USE AND CARE

1. **Do not force the tool.** Do not force this Can Crusher and do not use it for a purpose for which it is not intended.
2. **Maintain tools with care.** Tag damaged tools “Do not use” until repaired.
3. **Check for misalignment or binding of moving parts, breakage of parts, and any other condition that may affect the Can Crusher’s operation. If damaged, have it serviced before using.** Many accidents are caused by poorly maintained tools.

SERVICE

1. **Tool service must be performed only by qualified repair personnel.** Service or maintenance performed by unqualified personnel could result in a risk of injury.
2. **When servicing a tool, use only identical replacement parts. Follow instructions in the “*Inspection, Maintenance, And Cleaning*” section of this manual.** Use of unauthorized parts or failure to follow maintenance instructions may create a risk of injury.

SPECIFIC SAFETY RULES

1. **Maintain labels and nameplates on the tool.** These carry important information. If unreadable or missing, contact Harbor Freight Tools for a replacement.
2. **Maintain a safe working environment.** Make sure there is adequate space to operate the Can Crusher.
3. **Wear work gloves when using this Can Crusher to prevent pinching hands and fingers.**
4. **Mount the Can Crusher high enough to prevent small children from using or playing with this tool.** The moving parts can pinch. Children should not be allowed to use this Can Crusher without adult supervision.

UNPACKING

When unpacking, check to make sure that the item is intact and undamaged. If any parts are missing or broken, please call Harbor Freight Tools at the number shown on the cover of this manual as soon as possible.

ASSEMBLY INSTRUCTIONS

Note: This Can Crusher comes assembled. For additional information, refer to the Parts Diagram near the end of this manual.

MOUNTING INSTRUCTIONS

1. Remove Can Crusher from its container and mount on a solid surface high enough to prevent small children from using it.
2. Remove the Steel Wire Basket (14) by squeezing it together where it joins the Can Crusher Frame (2). A small amount of pressure will allow the rod ends to release from their slots and the Steel Wire Basket can be set aside while mounting the Can Crusher.
3. Use a pencil to mark where mounting screws will be located.
4. **Preferred method of mounting:** Find a vertical stud behind wallboard and fasten a support board (not included) approximately the same size as the Bottom Plate (1) to the stud. Secure it with nails (not included), or screws (not included) and mount the Can Crusher to the support board (not included) using four wood screws (not included). Always be careful not to nail or screw into hidden electrical wires or cables.
5. **Alternate method of mounting:** Use dry-wall anchors (not included), one in each corner, and screws (not included) to securely mount the Bottom Plate (1) to drywall.
6. Replace the Steel Wire Basket (14) by lining up the rod ends with the holes on the Can Crusher Frame (2), squeezing the Basket slightly and slipping the rod ends into the holes.

Usage

The Basket holds up to six cans. The 15" long arm gives quick, easy leverage. Crushed cans drop out of the bottom of Can Crusher.

INSPECTION, MAINTENANCE, AND CLEANING

1. **BEFORE EACH USE**, inspect the general condition of the tool. Check for loose screws, misalignment or binding of moving parts, cracked or broken parts, and any

other condition that may affect its safe operation. **Do not use damaged equipment.**

MAINTENANCE CHART						
Maintenance Type	Before Use	After Use	Weekly	Monthly	Every 6 Months	Yearly
Inspect Can Crusher for damage (see #1, above)	X					
Wipe off with clean, moist cloth				X		

TROUBLESHOOTING

Problem	Possible Causes	Probable Solutions
Can Crusher Handle is hard to move.	1. Loose Pin, loose rubber bushings, or loose screws.	1. Check all Screws making sure nothing is hindering the motion of the Handle.

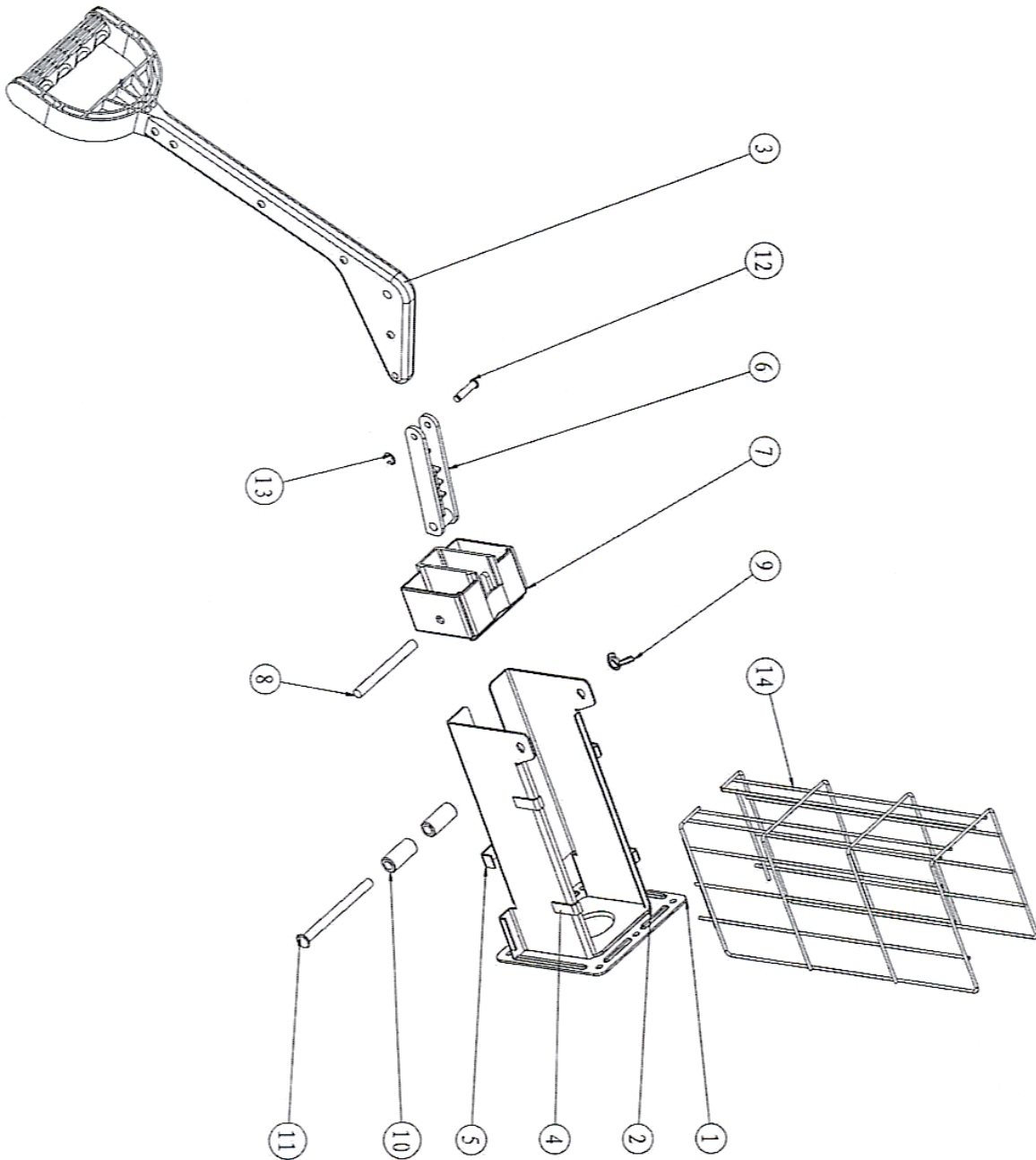
PARTS LIST

Part	Description	Q'ty	Part	Description	Q'ty
1	Bottom Plate	1	8	Pin	1
2	Can Crusher Frame	1	9	Screw	1
3	Handle	1	10	Rubber Bushing	2
4	Hasp	4	11	Threaded Pin	1
5	Hasp	2	12	Joint Pin	1
6	Handle Connecting Rod	1	13	Hose Clamp	1
7	Crushing Block	1	14	Steel Wire Basket	1

PLEASE READ THE FOLLOWING CAREFULLY

THE MANUFACTURER AND/OR DISTRIBUTOR HAS PROVIDED THE PARTS LIST AND ASSEMBLY DIAGRAM IN THIS MANUAL AS A REFERENCE TOOL ONLY. NEITHER THE MANUFACTURER OR DISTRIBUTOR MAKES ANY REPRESENTATION OR WARRANTY OF ANY KIND TO THE BUYER THAT HE OR SHE IS QUALIFIED TO MAKE ANY REPAIRS TO THE PRODUCT, OR THAT HE OR SHE IS QUALIFIED TO REPLACE ANY PARTS OF THE PRODUCT. IN FACT, THE MANUFACTURER AND/OR DISTRIBUTOR EXPRESSLY STATES THAT ALL REPAIRS AND PARTS REPLACEMENTS SHOULD BE UNDERTAKEN BY CERTIFIED AND LICENSED TECHNICIANS, AND NOT BY THE BUYER. THE BUYER ASSUMES ALL RISK AND LIABILITY ARISING OUT OF HIS OR HER REPAIRS TO THE ORIGINAL PRODUCT OR REPLACEMENT PARTS THERETO, OR ARISING OUT OF HIS OR HER INSTALLATION OF REPLACEMENT PARTS THERETO.

ASSEMBLY DIAGRAM



Record Product's Serial Number Here: _____

Note: If product has no serial number, record month and year of purchase instead.

Note: Some parts are listed and shown for illustration purposes only, and are not available individually as replacement parts.