

BDS 280 / BDS 580

Blu-ray Disc System

Quick-Start Guide



harman/kardon
by HARMAN

BDS

Thank you for choosing a Harman Kardon product!

This quick-start guide contains all the information you need to connect and set up your new BDS Blu-ray Disc system.

To conserve our national resources, your BDS system does not include a printed owner's manual. An owner's manual containing complete information about operating all of your new system's features is available on our website. Go to www.harmankardon.com and download the BDS Blu-ray Disc System Owner's Manual.

Your BDS receiver is designed to be compatible with region management information that is encoded on most Blu-ray Disc and DVD recordings. Your receiver will only play discs that contain region coding for the area where your receiver was shipped and intended for sale:

Area Where Sold	Blu-ray Disc Region Code	DVD Region Code
USA, Canada		
Europe, Middle East		
Korea, S.E. Asia		
Mexico, Latin America		
Australia, New Zealand		
Russia, India		
China		

For example, BDS receivers shipped to and sold in the USA will only play Blu-ray Discs that contain region code A and DVD discs that contain region code 1.

Connections

Connect the Speakers

CAUTION: Before making any connections to the BDS system, ensure that the system's AC cord is unplugged from the system and the AC outlet. Making speaker connections with the system plugged in and turned on could damage your speakers.

Your BDS system has color coded speaker terminals:

BDS 280

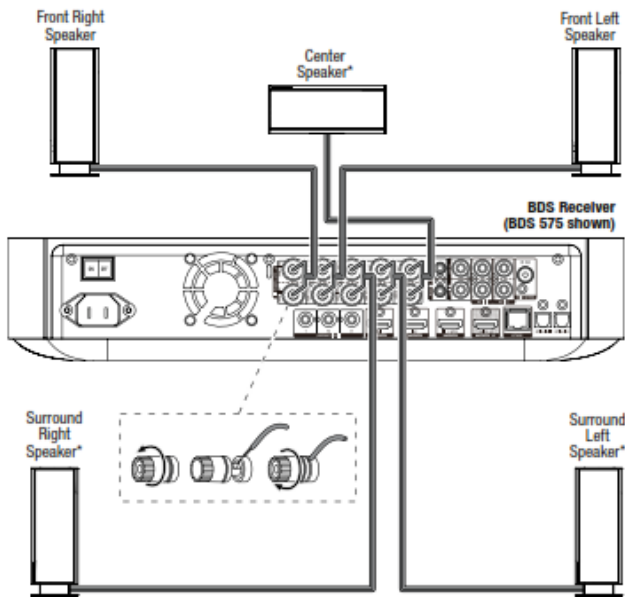
white	left channel (+)
red	right channel (+)
black	(-) on both channels

BDS 580

white	front left (+)
red	front right (+)
blue	surround left (+)
gray	surround right (+)
green	center (+)
black	(-) on both channels

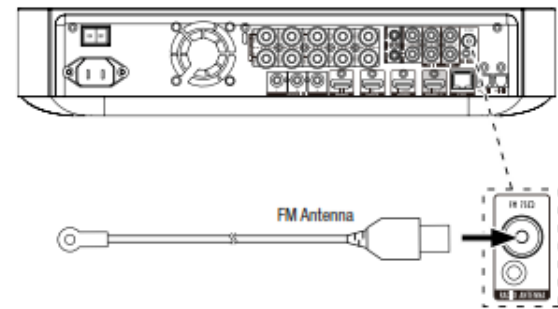
Most speakers use red to denote the (+) terminal and black for the (-) terminal. Be sure to connect each speaker identically: (+) on the speaker to (+) on BDS and (-) on the speaker to (-) on BDS. Miswiring one or more speakers results in thin sound, weak bass, and a poor stereo image.

BDS

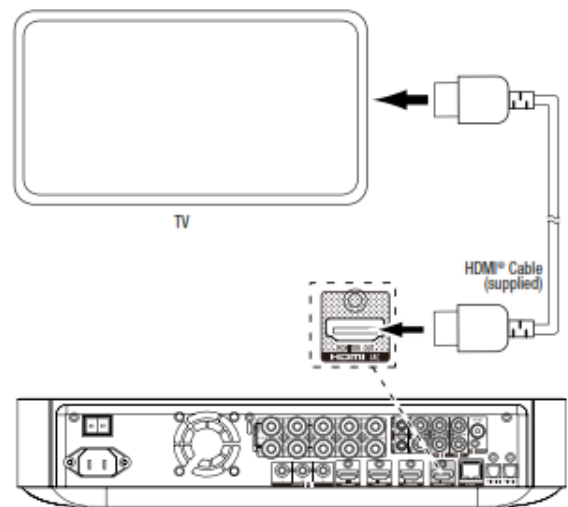


* Used only with BDS 575/BDS 577 receiver

IMPORTANT: Make sure the (+) and (-) bare wires do not touch each other or any metal object on the BDS receiver's rear panel. Touching wires can cause a short circuit that can damage the BDS receiver.



Connect a TV or video display



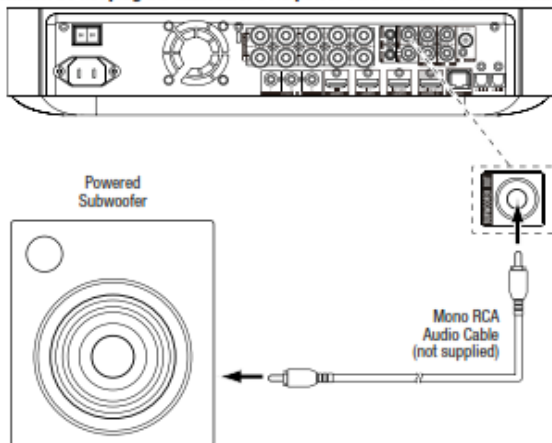
NOTE: If your TV supports HDMI Audio Return Channel (ARC) and you access digital channels from your TV's built-in tuner or you have other sources already connected directly to your TV, you can feed their sound to the BDS system via the HDMI Monitor Out connector's Audio Return Channel, and they will not require additional connections to the system.

Connect to your wired home network

Note: if you have a wireless home network, skip this step for now. You will use the BDS settings menus to connect to it once you've completed wired connections.

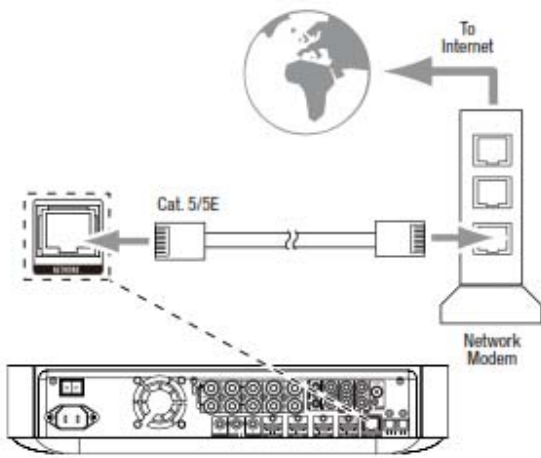
Connect the subwoofer

IMPORTANT: Do not plug the subwoofer's AC power cord into an AC outlet at this time.

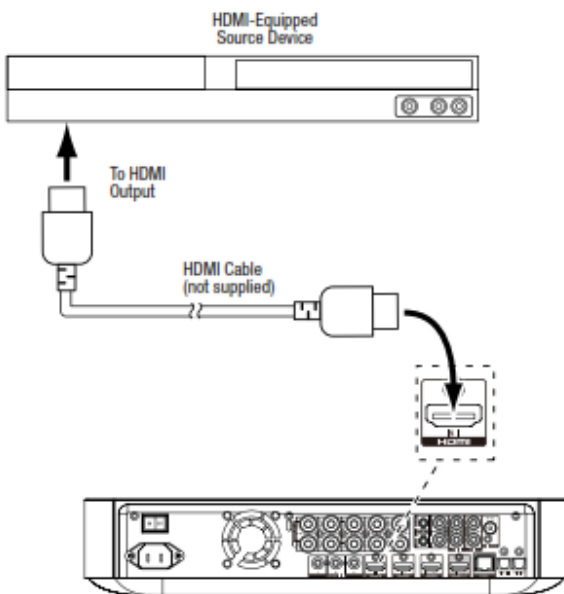


Connect the FM radio antenna

BDS



Connecting an HDMI source device

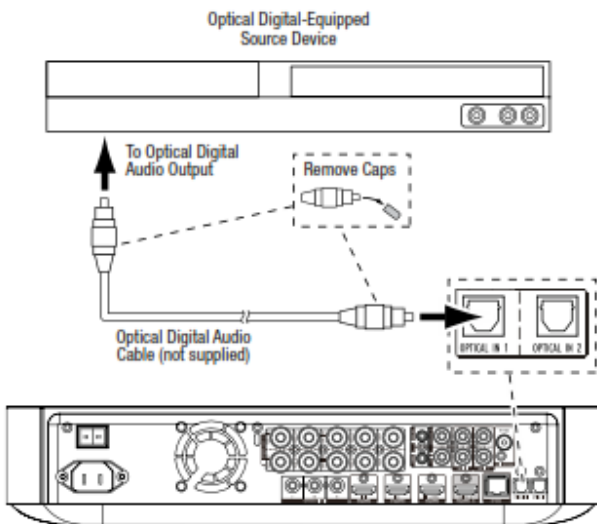


BDS

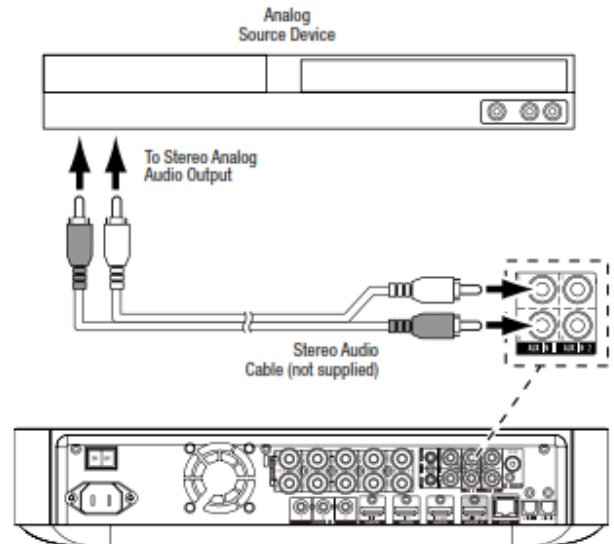
Connecting a component video source device

[Insert new diagram showing to connect component sources to the TV and then use ARC]

Connecting an optical digital audio source device

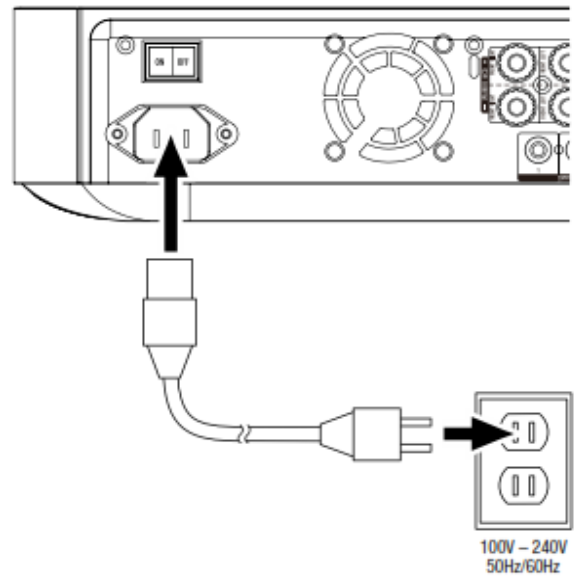


Connecting an analog audio source device

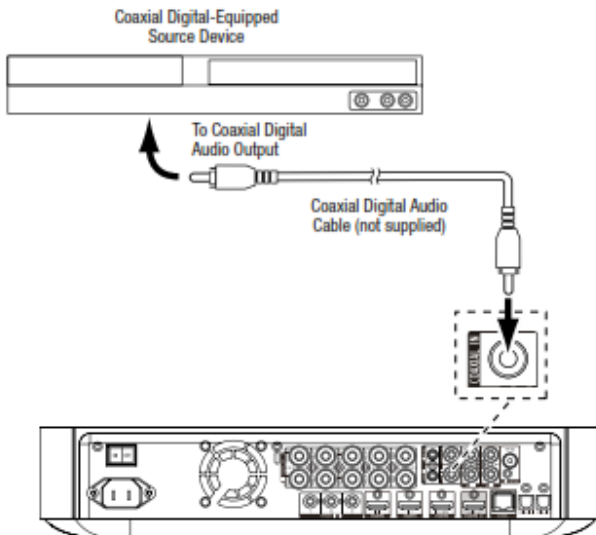


Connecting to AC power

BDS System Rear Panel



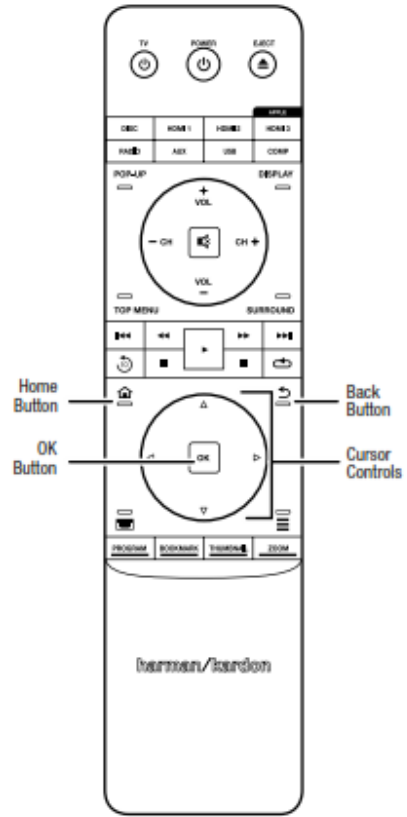
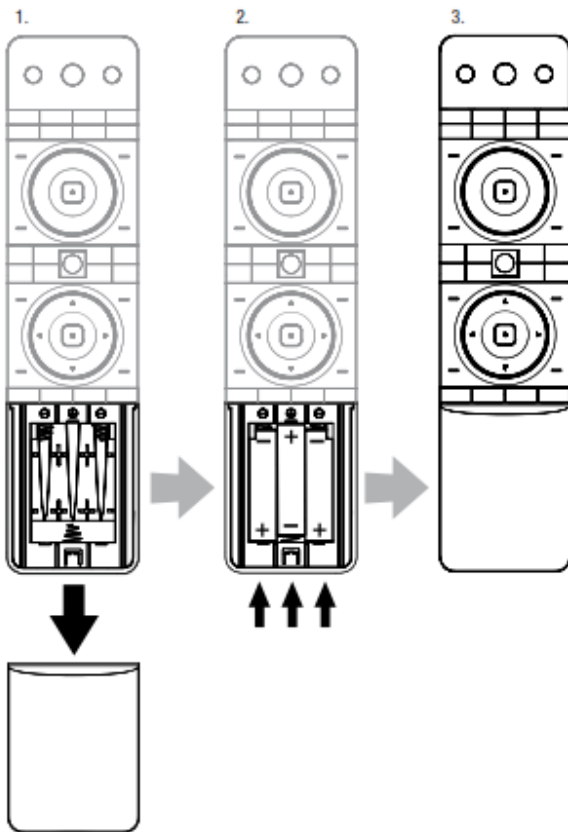
Connecting a coaxial digital audio source device



BDS

Setting up the BDS

Install the batteries in the remote control

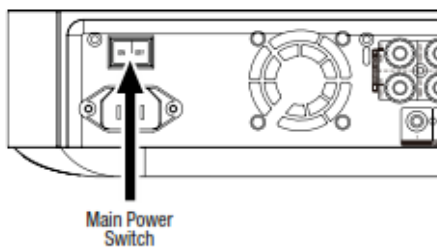


- Use the cursor up/down buttons to navigate through the menu list. When an item is highlighted, a white border will appear around it.
- To select a highlighted item, press the OK button. The screen will change depending on your selection.
- To return to the previous screen, press the Back button.

Turn on the system

Set the system's main power switch to the "ON" position.

BDS System Rear Panel

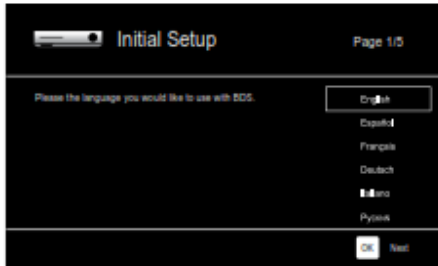


To set up your BDS system, you will use the remote control to navigate through the on-screen menus and to make selections from them.

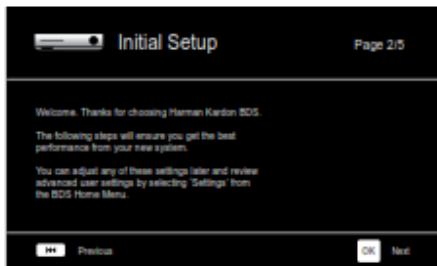
BDS

Initial Setup

When you turn your BDS system on for the first time, the on-screen menu will display the Initial Setup screens. The first screen allows you to set the language you want BDS menus to use.



Highlight your choice and press the OK button, then the Initial Setup introduction screen will appear.



Press the OK button, and the Initial Setup TV resolution screen will appear.



Highlight your choice and press the OK button. Next, the Initial Setup aspect-ratio screen will appear.



16:9 Full is the best choice for most displays. Highlight your choice and press the OK button. Next, the Initial Setup speaker package screen will appear.



This setting enables processing in the BDS system that will maximize your system's audio performance. If you are using a Harman Kardon speaker package with your BDS system, select it's model number from the list. If you're not using a Harman Kardon speaker package, select "Other."

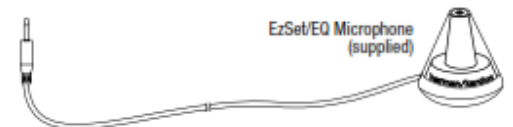
Configuring BDS for your speaker system

Before you use your BDS, you need to configure it to work with your particular speaker system. Harman Kardon's EzSet/EQ system uses the supplied EzSet/EQ microphone to perform this important step automatically. Before beginning, be sure you have correctly connected your speakers to the BDS system. **IMPORTANT: Press the remote control "Disc" button before performing the EzSet/EQ procedure. The EzSet/EQ procedure is only available when the Disc input is selected.**

1. Plug the supplied EzSet/EQ microphone into the BDS's front panel headphone connector.



Microphone input



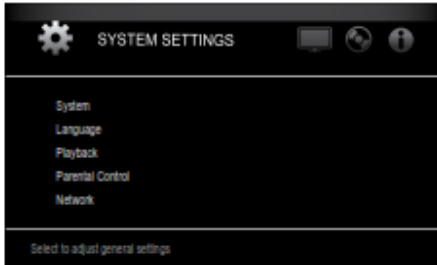
2. Place the microphone at ear height in your main listening position.

3. Press the remote control's Home button. The system's Home Menu screen will appear on the TV.

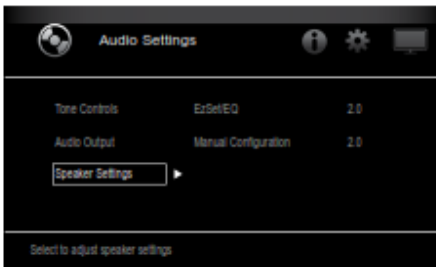


BDS

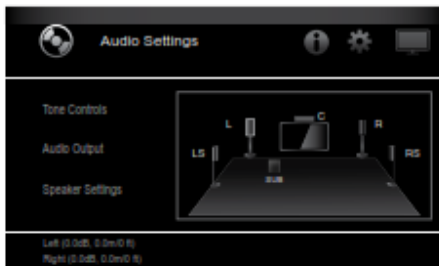
4. Use the cursor and OK buttons to highlight and select Settings. The General Settings menu will appear.



5. Use the down cursor button to select Sound and press OK. Next, use the down cursor to select EzSet/EQ and press OK.



6. Remain silent while the test noise plays through the speakers. As the test noise circulates among the speakers, the screen will show which speaker is being tested.



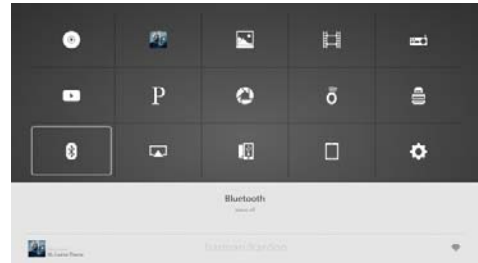
7. When the testing process is complete, the "Testing..." message on the screen will change to "All tests done!"

8. Press the Back button to exit the EzSet/EQ test procedure.

NOTE: If the test fails, the "Testing..." message on the screen will change to "EzSet/EQ failed. Make sure all speakers are connected and the room is quietly then try again." Press the Back button, make sure all speakers are correctly connected and perform the test again from step 5. Make sure the room remains silent during the test.

Using the BDS

Press the remote control Home button to display the Home Menu screen:



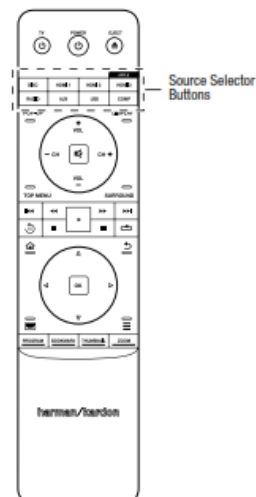
The available sources are shown in a grid. If a disc has been inserted into the system's built-in disc slot, it will be available in the top left. If you have inserted a USB device into the system's USB port, its content can be accessed by the Music, Photo, and Video sources on the top row.

NOTE: Digital and analog audio sources connected to the receiver's rear-panel optical digital, coaxial digital, and analog inputs will not appear on the list but can be selected using the Aux input source.

To select a source from the grid, use the cursor up/down/left/right buttons to highlight the desired source, then press the OK button.

NOTE: There are two pages of available sources. To access more sources, press the cursor down button while highlighting any of the bottom row source icons.

Some sources are also directly accessible by the Source Selector section of the remote control.



For complete information about using all of your BDS system's features, download the BDS 280/BDS580 Blu-ray Disc System Owner's Manual from www.harmanardon.com.

BDS



HARMAN

HARMAN International Industries, Incorporated
8500 Balboa Boulevard, Northridge, CA 91329 USA
516.255.4345 (USA only)

Made in P.R.C.

© 2012 HARMAN International Industries, Incorporated. All rights reserved.

Harman Kardon is a trademark of HARMAN International Industries, Incorporated, registered in the United States and/or other countries. EnticeEQ is a trademark of HARMAN International Industries, Incorporated. Blu-ray Disc and BD-Live are trademarks of the Blu-ray Disc Association. The Bluetooth word mark and logo are registered trademarks and are owned by the Bluetooth SIG, Inc., and any use of such marks by HARMAN International Industries, Incorporated, is under license. DIVX: ABOUT DIVX VIDEO: DivX® is a digital video format created by DivX, LLC, a subsidiary of Rovi Corporation. This is an official DivX Certified® device that plays DivX video. Visit divx.com for more information and software tools to convert your files into DivX video. ABOUT DIVX® VIDEO-ON-DEMAND: This DivX Certified® device must be registered in order to play purchased DivX Video-on-Demand (VOD) movies. To obtain your registration code, locate the DivX VOD section in your device setup menu. Go to vod.divx.com for more information on how to complete your registration. DivX®, DivX Certified® and associated logos are trademarks of Rovi Corporation or its subsidiaries and are used under license. DivX Certified® to play DivX® video up to HD 1080p, including premium content. DLNA®, the DLNA Logo and DLNA CERTIFIED® are trademarks, service marks, or certification marks of the Digital Living Network Alliance. DOLBY DIGITAL PLUS TRUE-HD. Manufactured under license from Dolby Laboratories. Dolby and the double-D symbol are registered trademarks of Dolby Laboratories. DTS DIGITAL SURROUND. Manufactured under license under U.S. Patent # s: 5,956,674; 5,974,380; 6,487,535 & other U.S. and worldwide patents issued & pending. DTS, the Symbol and DTS and the Symbol together are registered trademarks, and DTS Digital Surround and the DTS logos are trademarks, of DTS, Inc. Product includes software. © DTS, Inc. All Rights Reserved. HDMI, the HDMI logo, and High-Definition Multimedia Interface are registered trademarks of HDMI Licensing LLC in the United States and other countries. iPhone, iPod and iPad are trademarks of Apple Inc., registered in the U.S. and other countries. iPod, iPhone and iPad not included. "Made for iPod," "Made for iPhone," and "Made for iPad" mean that an electronic accessory has been designed to connect specifically to iPod, iPhone, or iPad, respectively, and has been certified by the developer to meet Apple performance standards. Apple is not responsible for the operation of this device or its compliance with safety and regulatory standards. Please note that the use of this accessory with iPod, iPhone, or iPad may affect wireless performance. Java, Java Powered and the Java Steaming Coffee Cup logo are trademarks or registered trademarks of Sun Microsystems, Inc., or its subsidiaries in the United States and other countries. Microsoft, Windows and Windows Media are registered trademarks of Microsoft Corporation in the United States and/or other countries.

Pandora is a registered trademark of Pandora Media, Inc.

Picasa is a trademark of Google, Inc.

The Wi-Fi CERTIFIED Logo is a certification mark of the Wi-Fi Alliance.

WMA (Windows Media Audio) is a proprietary file format developed by Microsoft. This firm incorporates copy-protection technology that is protected by U.S. patents and other intellectual-property rights of Rovi Corporation. Reverse engineering and disassembly are prohibited.

YouTube is a trademark of Google, Inc.

Features, specifications and appearance are subject to change without notice.

Part # 950-0466-001, Rev. A


harman/kardon
by HARMAN

www.harmankardon.com

IMPORTANT SAFETY INSTRUCTIONS



FOR ALL PRODUCTS:

1. Read these instructions.
2. Keep these instructions.
3. Heed all warnings.
4. Follow all instructions.
5. Do not use this apparatus near water.
6. Clean only with a dry cloth.
7. Do not block any ventilation openings. Install this apparatus in accordance with the manufacturer's instructions.
8. Do not install this apparatus near any heat sources such as radiators, heat registers, stoves or other apparatus (including amplifiers) that produce heat.
9. Do not defeat the safety purpose of the polarized or grounding-type plug. A polarized plug has two blades with one wider than the other. A grounding-type plug has two blades and a third grounding prong. The wide blade or the third prong is provided for your safety. If the provided plug does not fit into your outlet, consult an electrician for replacement of the obsolete outlet.
10. Protect the power cord from being walked on or pinched, particularly at plugs, convenience receptacles and the point where they exit from the apparatus.
11. Use only attachments/accessories specified by the manufacturer.
12. Use only with the cart, stand, tripod, bracket or table specified by the manufacturer or sold with the apparatus. When a cart is used, use caution when moving the cart/apparatus combination to avoid injury from tip-over. 
13. Unplug this apparatus during lightning storms or when unused for long periods of time.
14. Refer all servicing to qualified service personnel. Servicing is required when the apparatus has been damaged in any way, such as when the power-supply cord or plug is damaged, liquid has been spilled or objects have fallen into the apparatus, or the apparatus has been exposed to rain or moisture, does not operate normally or has been dropped.
15. Do not expose this apparatus to dripping or splashing, and ensure that no objects filled with liquids, such as vases, are placed on the apparatus.
16. To disconnect this apparatus from the AC mains completely, disconnect the power-supply cord plug from the AC receptacle.
17. The mains plug of the power-supply cord shall remain readily operable.
18. Do not expose batteries to excessive heat such as sunshine, fire or the like.

CAUTION

RISK OF ELECTRIC SHOCK. DO NOT OPEN.



THE LIGHTNING FLASH WITH AN ARROWHEAD SYMBOL, WITHIN AN EQUILATERAL TRIANGLE, IS INTENDED TO ALERT THE USER TO THE PRESENCE OF UNINSULATED "DANGEROUS VOLTAGE" WITHIN THE PRODUCT'S ENCLOSURE THAT MAY BE OF SUFFICIENT MAGNITUDE TO CONSTITUTE A RISK OF ELECTRIC SHOCK TO PERSONS.



THE EXCLAMATION POINT WITHIN AN EQUILATERAL TRIANGLE IS INTENDED TO ALERT THE USER TO THE PRESENCE OF IMPORTANT OPERATING AND MAINTENANCE (SERVICING) INSTRUCTIONS IN THE LITERATURE ACCOMPANYING THE PRODUCT.

WARNING: TO REDUCE THE RISK OF FIRE OR ELECTRIC SHOCK, DO NOT EXPOSE THIS APPARATUS TO RAIN OR MOISTURE.

FCC AND IC STATEMENT FOR USERS (USA AND CANADA ONLY)

This device complies with part 15 of the FCC Rules. Operation is subject to the following two conditions: (1) This device may not cause harmful interference, and (2) this device must accept any interference received, including interference that may cause undesired operation.

This Class B digital apparatus complies with Canadian ICES-003.

Cet appareil numérique de la classe B est conforme à la norme NMB-003 du Canada.

FEDERAL COMMUNICATION COMMISSION INTERFERENCE STATEMENT

This equipment has been tested and found to comply with the limits for a Class B digital device, pursuant to Part 15 of the FCC Rules. These limits are designed to provide reasonable protection against harmful interference in a residential installation. This equipment generates, uses and can radiate radio frequency energy and, if not installed and used in accordance with the instructions, may cause harmful interference to radio communications. However, there is no guarantee that interference will not occur in a

particular installation. If this equipment does cause harmful interference to radio or television reception, which can be determined by turning the equipment off and on, the user is encouraged to try to correct the interference by one or more of the following measures:

- Reorient or relocate the receiving antenna.
- Increase the separation between the equipment and receiver.
- Connect the equipment into an outlet on a circuit different from that to which the receiver is connected.
- Consult the dealer or an experienced radio/TV technician for help.

Caution: Changes or modifications not expressly approved by HARMAN could void the user's authority to operate the equipment.

FOR PRODUCTS THAT TRANSMIT RF ENERGY:

FCC AND IC INFORMATION FOR USERS

This device complies with Part 15 of the FCC rules and Industry Canada license-exempt RSS 210. Operation is subject to the following two conditions: (1) This device may not cause harmful interference; and (2) this device must accept any interference received, including interference that may cause undesired operation.

FCC/IC Radiation Exposure Statement

This equipment complies with FCC/IC RSS-102 radiation exposure limits set forth for an uncontrolled environment. This equipment should be installed and operated with minimum distance 20cm between the radiator & your body.

FOR PRODUCTS WITH RADIO RECEIVERS THAT CAN USE AN EXTERNAL ANTENNA (USA ONLY):

CATV (CABLE TV) OR ANTENNA GROUNDING

If an outside antenna or cable system is connected to this product, be certain that it is grounded so as to provide some protection against voltage surges and static charges. Section 810 of the National Electrical Code (NEC), ANSI/NFPA No. 70-1984, provides information with respect to proper grounding of the mast and supporting structure, grounding of the lead-in wire to an antenna discharge unit, size of grounding conductors, location of antenna discharge unit, connection to grounding electrodes and requirements of the grounding electrode.

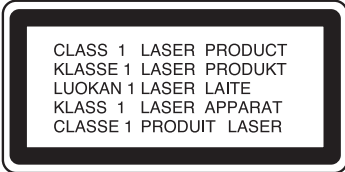
NOTE TO CATV SYSTEM INSTALLER:

This reminder is provided to call the CATV (cable TV) system installer's attention to article 820-40 of the NEC, which provides guidelines for proper grounding and, in particular, specifies that the cable ground shall be connected to the grounding system of the building, as close to the point of cable entry as possible.

IMPORTANT SAFETY INSTRUCTIONS



FOR CD/DVD/BLU-RAY DISC™ PLAYERS:



CAUTION: This product uses a laser system. To prevent direct exposure to the laser beam, do not open the cabinet enclosure or defeat any of the safety mechanisms provided for your protection. **DO NOT STARE INTO THE LASER BEAM.** To ensure proper use of this product, please read the owner's manual carefully and retain it for future use. Should the unit require maintenance or repair, please contact your local JBL service center. Refer servicing to qualified personnel only.

FOR ALL EU COUNTRIES: FOR PRODUCTS THAT INCLUDE AUDIO OUT

Prevention of hearing loss

CAUTION: Permanent hearing loss may occur if earphones or headphones are used at high volume for prolonged periods of time.

For France, the products have been tested to comply with the Sound Pressure Level requirement laid down in the applicable NF EN50332-1:2000 and/or EN50332-2:2003 standards as required by French Article L.5232-1.



Note: To prevent possible hearing damage, do not listen at high volume levels for long periods.

WEEE NOTICE

The Directive on Waste Electrical and Electronic Equipment (WEEE), which entered into force as European law on 13th February 2003, resulted in a major change in the treatment of electrical equipment at end-of-life.

The purpose of this Directive is, as a first priority, the prevention of WEEE, and in addition, to promote the reuse, recycling and other forms of recovery of such wastes so as to reduce disposal.

The WEEE logo on the product or on its box indicating collection for electrical and electronic equipment consists of the crossed-out wheeled bin, as shown below.



This product must not be disposed of or dumped with your other household waste. You are liable to dispose of all your electronic or electrical waste equipment by relocating over to the specified collection point for recycling of such hazardous waste. Isolated collection and proper recovery of your electronic and electrical waste equipment at the time of disposal will allow us to help conserving natural resources. Moreover, proper recycling of the electronic and electrical waste equipment will ensure safety of human health and environment. For more information about electronic and electrical waste equipment disposal, recovery, and collection points, please contact your local city center, household waste disposal service, shop from where you purchased the equipment, or manufacturer of the equipment.

ROHS COMPLIANCE

This product is in compliance with Directive 2011/65/EU of the European Parliament and of the Council of 8 June 2011 on the restriction of the use of certain hazardous substances in electrical and electronic equipment.

FOR PRODUCTS THAT INCLUDE BATTERIES

EU Batteries Directive 2006/66/EC

A new battery directive 2006/66/EC on Battery and Accumulator replacing directive entered into force on the 26th September 2008. The directive applies to all types of batteries and accumulators (AA, AAA, button cells, lead acid, rechargeable packs) including those incorporated into appliances except for military, medical and power tool applications.

The directive sets out rules for collection, treatment, recycling and disposal of batteries, and aims to prohibit certain hazardous substances and to improve environmental performance of batteries and all operators in the supply chain.

Instructions for Users on Removal, Recycling and Disposal of Used Batteries

To remove the batteries from your equipment or remote control, reverse the procedure described in the owner's manual for inserting batteries.

For products with a built-in battery that lasts for the lifetime of the product, removal may not be possible for the user. In this case, recycling or recovery centers handle the dismantling of the product and the removal of the battery. If, for any reason, it becomes necessary to replace such a battery, this procedure must be performed by authorized service centers.

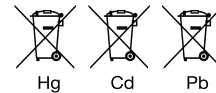
In the European Union and other locations, it is illegal to dispose of any battery with household trash. All batteries must be disposed of in an environmentally sound manner. Contact your local waste-management officials for information regarding the environmentally sound collection, recycling and disposal of used batteries.

WARNING: Danger of explosion if battery is incorrectly replaced. To reduce risk of fire or burns, don't disassemble, crush, puncture, short external contacts, expose to temperature above 60°C (140°F), or dispose of in fire or water. Replace only with specified batteries.

The symbol indicating 'separate collection' for all batteries and accumulators shall be the crossed-out wheeled bin shown below:



In case of batteries, accumulators and button cells containing more than 0.0005 % mercury, more than 0.002 % cadmium or more than 0.004 % lead, shall be marked with the chemical symbol for the metal concerned: Hg, Cd or Pb respectively. Please Refer to the below symbol:



FOR ALL PRODUCTS EXCEPT THOSE WITH WIRELESS OPERATION:

HARMAN International hereby declares that this equipment is in compliance with the EMC 2004/108/EC Directive, LVD 2006/95/EC Directive, ErP 2009/125/EC Directive and RoHS 2011/65/EU Directive. The declaration of conformity may be consulted in the support section of our Web site, accessible from www.jbl.com.

FOR ALL PRODUCTS WITH WIRELESS OPERATION:

HARMAN International hereby declares that this equipment is in compliance with the essential requirements and other relevant provisions of Directive 1999/5/EC, ErP 2009/125/EC Directive and RoHS 2011/65/EU Directive. The declaration of conformity may be consulted in the support section of our Web site, accessible from www.jbl.com.

HARMAN HARMAN International Industries, Incorporated
8500 Balboa Boulevard, Northridge, CA 91329 USA

© 2012 HARMAN International Industries, Incorporated. All rights reserved.

JBL is a trademark of HARMAN International Industries, Incorporated, registered in the United States and/or other countries.

Blu-ray Disc is a trademark of the Blu-ray Disc Association.

Features, specifications and appearance are subject to change without notice.

www.jbl.com

This equipment complies with FCC's and IC's RF radiation exposure limits set forth for an uncontrolled environment. The antenna(s) used for this transmitter must be installed and operated to provide a separation distance of at least 20 cm from all persons and must not be collocated or operating in conjunction with any other antenna or transmitter. Installers must ensure that 20cm separation distance will be maintained between the device (excluding its handset) and users.