

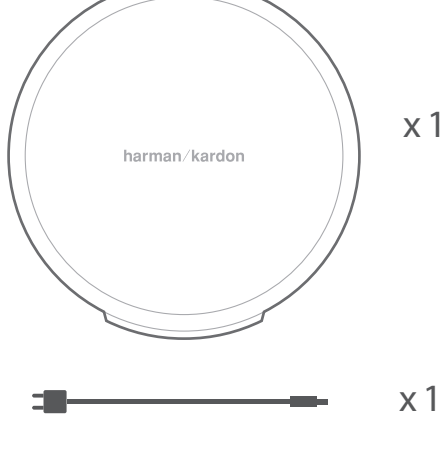


# HK OMNI 10

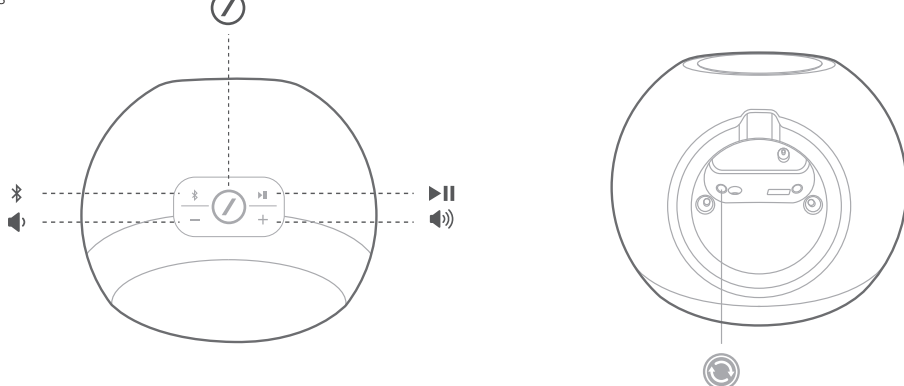
## What's in the box

## Quick Start Guide

Guide de démarrage rapide

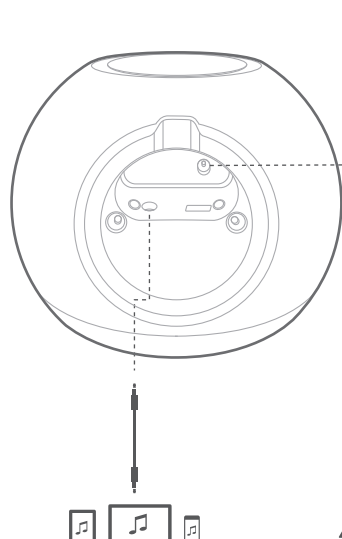


## Buttons

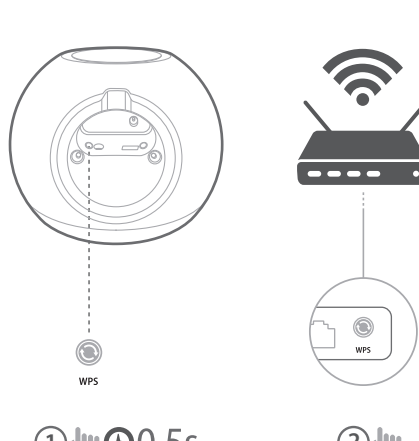


LED Status	LED Behaviors
Out of the box (Restore Factory Setting)	<ul style="list-style-type: none"> <li>Slash - White blinking</li> <li>Ring - Off</li> </ul>

## Connections



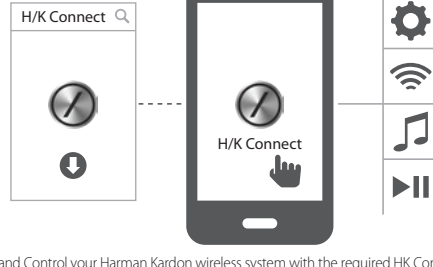
## WPS



① 0.5s

②

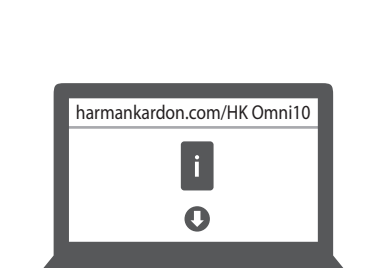
## APP



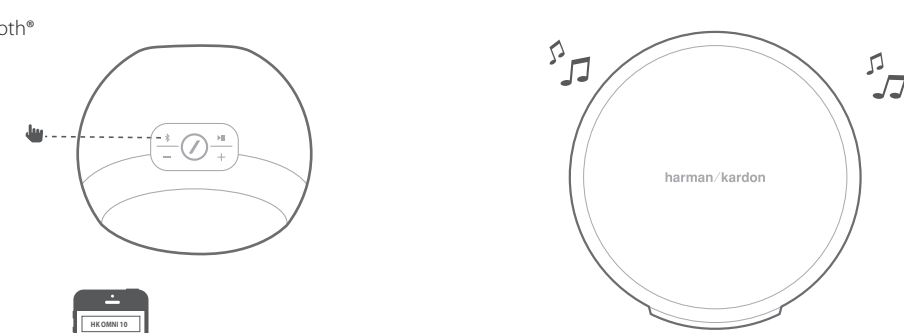
Setup and Control your Harman Kardon wireless system with the required HK Connect app.



## Full owners manual

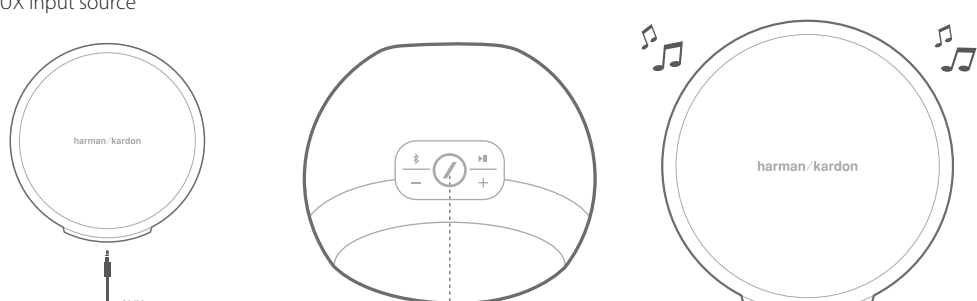


## Bluetooth®



LED Status	LED Behaviors
Bluetooth® pairing mode	<ul style="list-style-type: none"> <li>Slash - Blue blinking</li> <li>Ring - Blue blinking</li> </ul>
Bluetooth® reconnecting	<ul style="list-style-type: none"> <li>Slash - Blue blinking</li> <li>Ring - Off</li> </ul>
Bluetooth® connected, no streaming	<ul style="list-style-type: none"> <li>Slash - Solid Blue</li> <li>Ring - Off</li> </ul>
Bluetooth® connected, streaming	<ul style="list-style-type: none"> <li>Slash - Solid Blue</li> <li>Ring - Solid Blue</li> </ul>

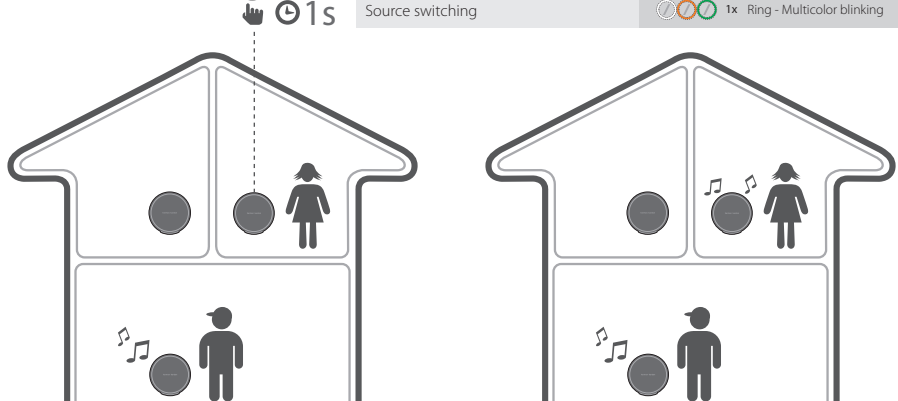
## AUX input source



LED Status	LED Behaviors
Aux active	<ul style="list-style-type: none"> <li>Slash - Solid White</li> <li>Ring - Solid Green</li> </ul>
Inactive	<ul style="list-style-type: none"> <li>Slash - Solid White</li> <li>Ring - Off</li> </ul>

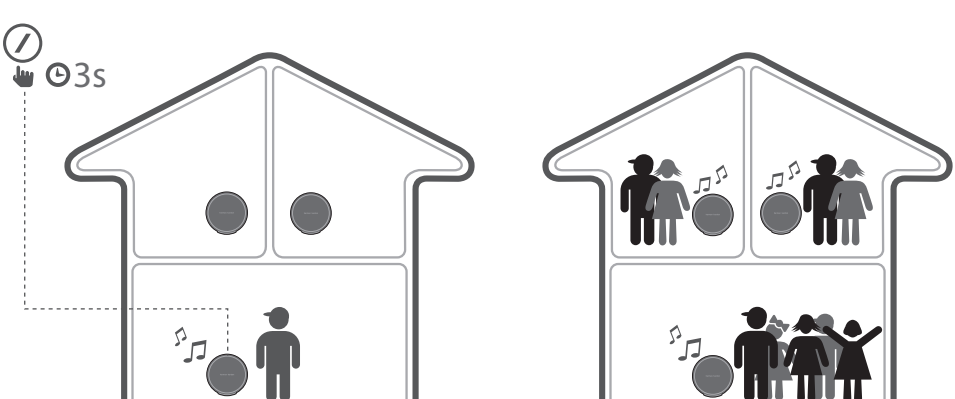
## Multi-room music streaming

LED Status	LED Behaviors
Network streaming	<ul style="list-style-type: none"> <li>Slash - Solid White</li> <li>Ring - Solid White</li> </ul>
Source switching	<ul style="list-style-type: none"> <li> 1x Ring - Multicolor blinking</li> </ul>



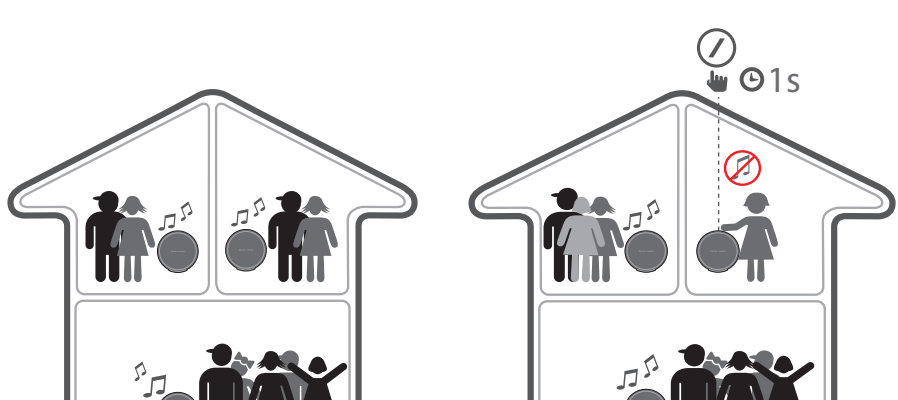
## Party Mode

LED Status	LED Behaviors
Party Mode	<ul style="list-style-type: none"> <li> 3s Ring - Multicolor blinking</li> </ul>



## Single button Play / Stop functionality

LED Status	LED Behaviors
Mute	<ul style="list-style-type: none"> <li></li> </ul>



## FCC Information and Copyright

This equipment has been tested and found to comply with the limits for a Class B digital device, pursuant to part 15 of the FCC Rules.

These limits are designed to provide reasonable protection against harmful interference in a residential installation. This equipment generates,

uses and can radiate radio frequency energy and, if not installed and used in accordance with the instructions, may cause harmful interference

to radio communications. However, there is no guarantee that interference will not occur in a particular installation. If this equipment does

cause harmful interference to radio or television reception, which can be determined by turning the equipment off and on, the user is

encouraged to try to correct the interference by one or more of the following measures:

- Reorient or relocate the receiving antenna.
- Increase the separation between the equipment and receiver.
- Connect the equipment into an outlet on a circuit different from that to which the receiver is connected.
- Consult the dealer or an experienced radio/TV technician for help.

This device complies with part 15 of the FCC Rules. Operation is subject to the following two conditions:

- (1) This device may not cause harmful interference, and
- (2) this device must accept any interference received, including interference that may cause undesired operation.

changes or modifications not expressly approved by the party responsible for compliance could void the user's authority to operate the equipment.

This equipment complies with FCC radiation exposure limits set forth for an uncontrolled environment. This equipment should be installed and operated with minimum distance 20cm between the radiator & your body. This transmitter must not be co-located or operating in conjunction with any other antenna or transmitter.