

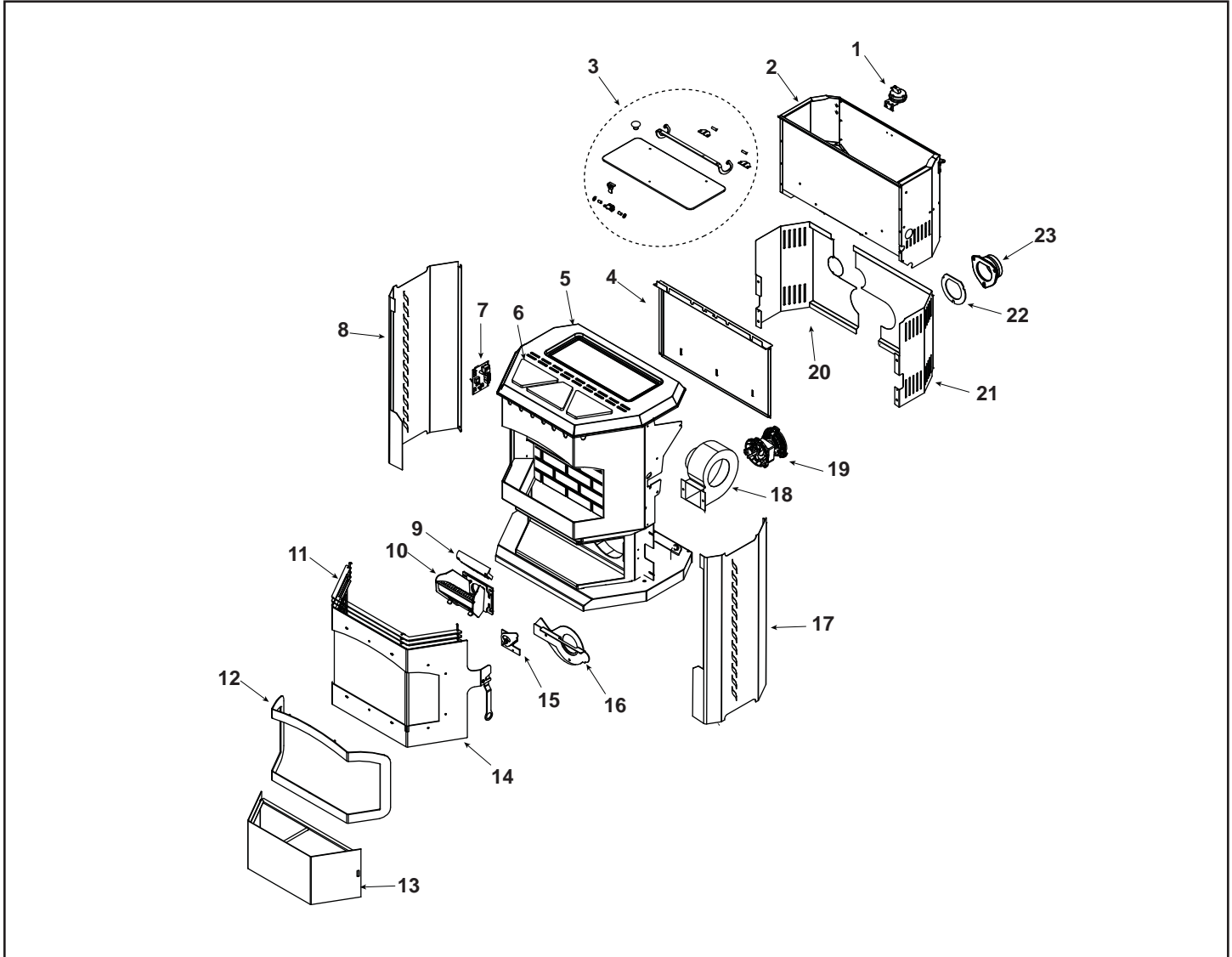
Pellet Stove
1-70-08730-1 (Black)

Beginning Manufacturing Date: N/A
Ending Manufacturing Date: Active

Retired Units

1-70-08730-2 (Charcoal) (Ending Manufacturing Date: June 2009)
1-70-08730-3 (Goldenfire) (Ending Manufacturing Date: June 2009)
1-70-08730-4 (Metallic Blue) (Ending Manufacturing Date Jan 2010)

1-70-08730-5 (Honey Glo) (Ending Manufacturing Date: June 2009)
1-70-08730-10 (Mojave Red) (Ending Manufacturing Date Jan 2010)
1-70-08730-12 (Forest Green) (Ending Manufacturing Date Jan 2010)



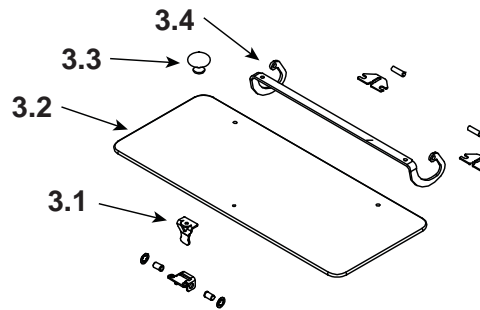
IMPORTANT: THIS IS DATED INFORMATION. Parts must be ordered from a dealer or distributor. **Hearth and Home Technologies does not sell directly to consumers.** Provide model number and serial number when requesting service parts from your dealer or distributor.



**Stocked
at Depot**

ITEM	DESCRIPTION	COMMENTS	PART NUMBER	
1	Differential Switch		3-20-6866	Y
2	UL Hopper Assembly	Pre 008360001	1-10-09731S	Y
		008360001 Thru 008362435/ Must also order Retrofit Switch kit**	1-10-09876A	Y
			1-00-232108**	Y
		Post 008362435	1-10-09876A	Y
	Gasket, Hopper Top		1-00-375501	Y
	Switch, Hopper, 48"	Post 008362469	3-20-232108	Y

#3 Hopper Lid Assembly



IMPORTANT: THIS IS DATED INFORMATION. Parts must be ordered from a dealer or distributor. **Hearth and Home Technologies does not sell directly to consumers.** Provide model number and serial number when requesting service parts from your dealer or distributor.



**Stocked
at Depot**

ITEM	DESCRIPTION	COMMENTS	PART NUMBER	
3	Hopper Lid Assembly			
3.1	Hopper Lid Latch (Male and Female)	2 Sets	1-00-0669697	Y
3.2	Hopper Lid		3-40-06693	Y
3.3	Hopper Knob	Gold	3-43-02000	
		Brushed Nickel	3-43-02000-8	
3.4	Hinge		2-00-06694	
	Ball Plunger	Pkg of 3	3-31-5500-3	
	Hinge Plate	Qty 2 req	2-00-06695L	
	Push Retainers	Pkg of 100	3-31-94807-100	
	Screw Post 1/4"/ Washers (Hopper Lid)	Pkg of 20	1-00-129004	Y
4	Hopper Heat Shield		2-00-06612B	
5	Top		4-00-08739P	
6	Tile Set	Cream	3-43-03000-1	
		No longer available	3-43-03000-2	
		Black	3-43-03000-3	
		No longer available	3-43-03000-4	
7	Circuit Board w/Knobs & Shafts		1-00-05886	Y
	6 Amp Fuse	Pkg of 5	3-20-49447-5	Y
	Control Board Knob/ D-shaft	25 Sets	1-00-015605	Y
8	Side Door - Left		2-00-06610-1P	
9	Flame Guide		3-00-06644	Y
10	Burn Pot		1-10-00675	Y
	Burn Pot Igniter		3-20-677200	Y
		Pkg of 10	1-00-67200	Y
	Arrow Burn Pot Scraper	Pkg of 10	2-00-773850-10	
	Ceramic Insert Gasket		3-44-724114	Y
	Clean Out Cover	2 Sets	1-00-06623	Y
	Thumb Screw	Pkg of 10	3-31-782108-10	Y
	Ignitor Cradle, Holder, & Flat Bottom	3 Sets	1-00-06620	Y

Additional service parts on following page.

IMPORTANT: THIS IS DATED INFORMATION. Parts must be ordered from a dealer or distributor. **Hearth and Home Technologies does not sell directly to consumers.** Provide model number and serial number when requesting service parts from your dealer or distributor.

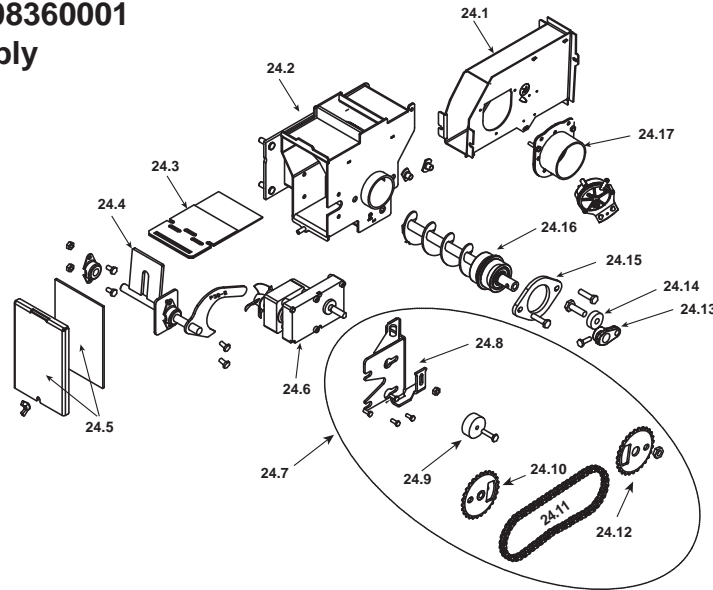


Stocked
at Depot

ITEM	Description	COMMENTS	PART NUMBER	
11	Grill Weldment	Gold	3-43-06642-4	
		Brushed Stain	3-43-06642-7	
		Brushed Nickel	3-43-06642-8	
12	Frame	Gold	3-43-06613-4	
		Brushed Stain	3-43-06613-7	
		Brushed Nickel	3-43-06613-8	
13	Ash Pan Weldment		1-10-07581A	Y
	Ash Pan Gasket	30 Ft	1-00-00888	Y
14	Door Assembly		1-10-08612A	
	Gasket, Door, 1 1/2" x 7/16"	Qty 1 req	2-00-71611	Y
	Gasket, Glass	15 Ft	1-00-2312	Y
	Glass, Large Front		3-40-08728	Y
	Glass, Side		3-40-08729	Y
	Glass Clips	1 Set	1-00-06600	
15	Retainer Assembly		1-10-08553S	Y
16	Combustion Intake Weldment		1-10-07574W	Y
17	Side Door - Right		2-00-06610-2P	
18	Distribution Blower		3-21-33647	Y
19	Combustion Blower		3-21-08639	Y
	Fan Blade, 5" , Double Paddle		3-20-502221	Y
	Blower Mounting Screws	Pkg of 100	1-00-53483208	
20	UL Feeder Hopper Rear Shield Left	Pre 008360001	2-00-06617P	Y
		Post 008360001	2-00-06788P	Y
21	UL Feeder Hopper Rear Shield Right	Pre 008360001	2-00-06616P	Y
		Post 008360001	2-00-06789B	Y
22	Pellet Tailpipe Gasket	Pkg of 5	1-00-07381	Y
23	Pellet Tailpipe Cast		3-00-247237	Y

Additional service parts on following page.

**Pre Serial Number 008360001
Feeder Assembly**



IMPORTANT: THIS IS DATED INFORMATION. Parts must be ordered from a dealer or distributor. **Hearth and Home Technologies does not sell directly to consumers.** Provide model number and serial number when requesting service parts from your dealer or distributor.

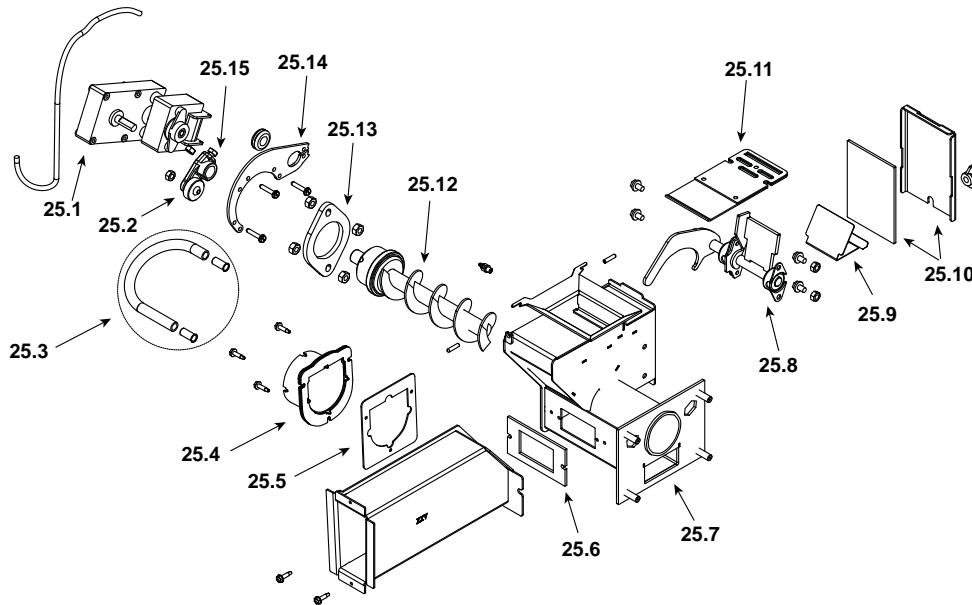


**Stocked
at Depot**

ITEM	DESCRIPTION	COMMENTS	PART NUMBER	
24	Feeder Assembly	Pre 008360001	1-10-09775A	
24.1	Air Intake Weldment		1-10-06593W	
24.2	Feeder Weldment		1-10-677150	Y
24.3	Slide Plate Assembly		1-10-08037	Y
24.4	Pusher Arm Assembly		1-10-01530	Y
24.5	Feed Cover and Gasket	2 Sets	1-00-677152	Y
24.6	Gear Motor, 4 RPM		3-20-08752	Y
24.7	Sprocket Kit		1-00-06626	Y
24.8	Bracket, Gear Motor		1-10-677005	Y
	Grommets & Spacers	25 Sets	1-00-960026	
24.9	3/4 Feeder Tensioner		3-31-00075	Y
24.10	3 1/2" Sprocket		2-00-06626M	Y
24.11	Chain - 60 Pin		3-50-06667	Y
24.12	3 1/2" Sprocket w/Hub		1-10-08550W	Y
24.13	Cast Cam Block		3-00-00153	Y
24.14	Cam Bearing		3-31-3014	Y
24.15	Bearing Flange w/Hardware		1-00-04035	Y
24.16	Auger Assembly		3-50-00465	Y
24.17	Air Intake Damper Assembly		1-10-06466W	
	Gasket, Feeder, Air Intake	Pkg of 6	3-44-72224-6	Y
	Pillow Block	Pkg of 4	3-31-3614087-4	Y
	Feeder Air Crossover Kit		1-00-67900	Y
	Feeder Repair Kit		1-00-677150	Y

Additional service parts on following page.

Post Serial Number 008360001 Feeder Assembly



IMPORTANT: THIS IS DATED INFORMATION. Parts must be ordered from a dealer or distributor. **Hearth and Home Technologies does not sell directly to consumers.** Provide model number and serial number when requesting service parts from your dealer or distributor.

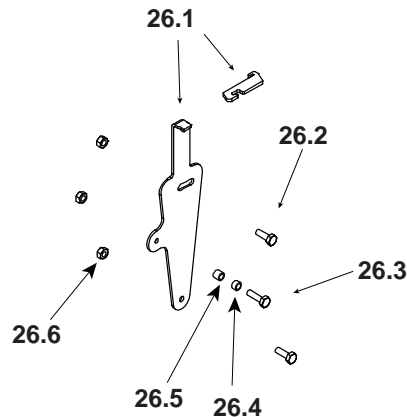


Stocked at Depot

ITEM	Description	COMMENTS	PART NUMBER	
25	UL Feeder Assembly	Post 008360001	1-10-09875A	
25.1	Pellet Feeder Gear Motor, 4 RPM		3-20-00677	Y
25.2	UL Feeder Cam Bearing		3-31-3014	Y
25.3	Feeder Air Crossover Kit		1-00-67900	Y
	9MM Silicone Tube	5 Ft	1-00-511427	Y
25.4	Pellet Air Intake Assembly		1-10-06810A	
25.5	Gasket Feeder Air Intake	Pkg of 6	3-44-72224-6	Y
25.6	Gasket Ultra Air Intake	Pkg of 10	3-44-677160-10	Y
25.7	Ultra Feeder Weldment		1-10-724132	Y
25.8	UL Feeder Pusher Arm		1-10-677131W	Y
25.9	Fines Deflector	No longer available	2-00-677138-10	
25.10	Gasket, UL Feeder Cover		1-00-677122	Y
25.11	Slide Plate Assembly		1-10-677121A	Y
25.12	UL Feeder Auger Assembly		3-50-00565	Y
25.13	Bearing Flange w/Hardware		1-00-04035	Y
25.14	UL Feeder Gear Motor Bracket w/Grommet		1-00-247406	Y
25.15	UL Feeder Cam Block		3-00-677154	Y
	Gasket, Hopper throat		3-44-677185	Y
	HopperSwitch Feeder Fitting	Pkg of 2	1-00-142818	Y
	Pillow Block	Pkg of 4	3-31-3614087-4	

Additional service parts on following page.

#26 Hardware Kit



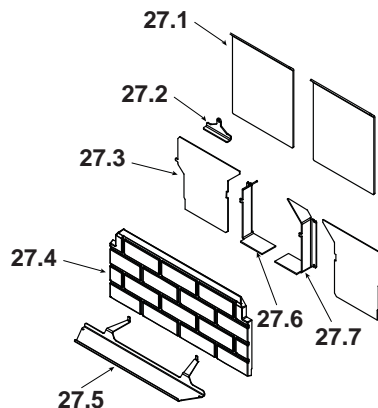
IMPORTANT: THIS IS DATED INFORMATION. Parts must be ordered from a dealer or distributor. **Hearth and Home Technologies does not sell directly to consumers.** Provide model number and serial number when requesting service parts from your dealer or distributor.



Stocked at Depot

ITEM	Description	COMMENTS	PART NUMBER	
26.1	Latch Adjuster, Spring Holder, Door Latch & Spring	1 Set	1-00-06770	
26.2	Screw, 1/4-20 x 3/4" Grade 5 Zinc Plated Hex	Pkg of 100	3-30-1112-100	Y
26.3	Screw, 1/4-20 x 7/8 Grade 5 Zinc Hex Cap	Pkg of 50	3-30-1114-50	Y
26.4	Bushing 3/8 OD x 1/4 OAL	Pkg of 5	3-50-00058-5	Y
26.5	Latch Bushing 3/8 OD x 5/16 OAL	Pkg of 5	3-50-08288-5	Y
26.6	Nut, 1/4"-20 Zinc Plated Finished Hex	Pkg of 100	3-30-8004-100	Y

#27 Firebox Assembly



27.1	Firebox Heat Exchanger Cover	Qty. 2 Req.	2-00-06692B	
27.2	Heat Exchanger Cleanout Cover Latch		2-00-06698B	
27.3	Baffle Plate	Qty. 2 Req.	2-00-06632L	
27.4	Cast Brick Panel		3-00-06641	Y
27.5	Log Bracket		1-00-06677	
27.6	Burner Protector Left		2-00-06631-1B	
27.7	Burner Protector Right		2-00-06631-2B	

Additional service parts on following page.

