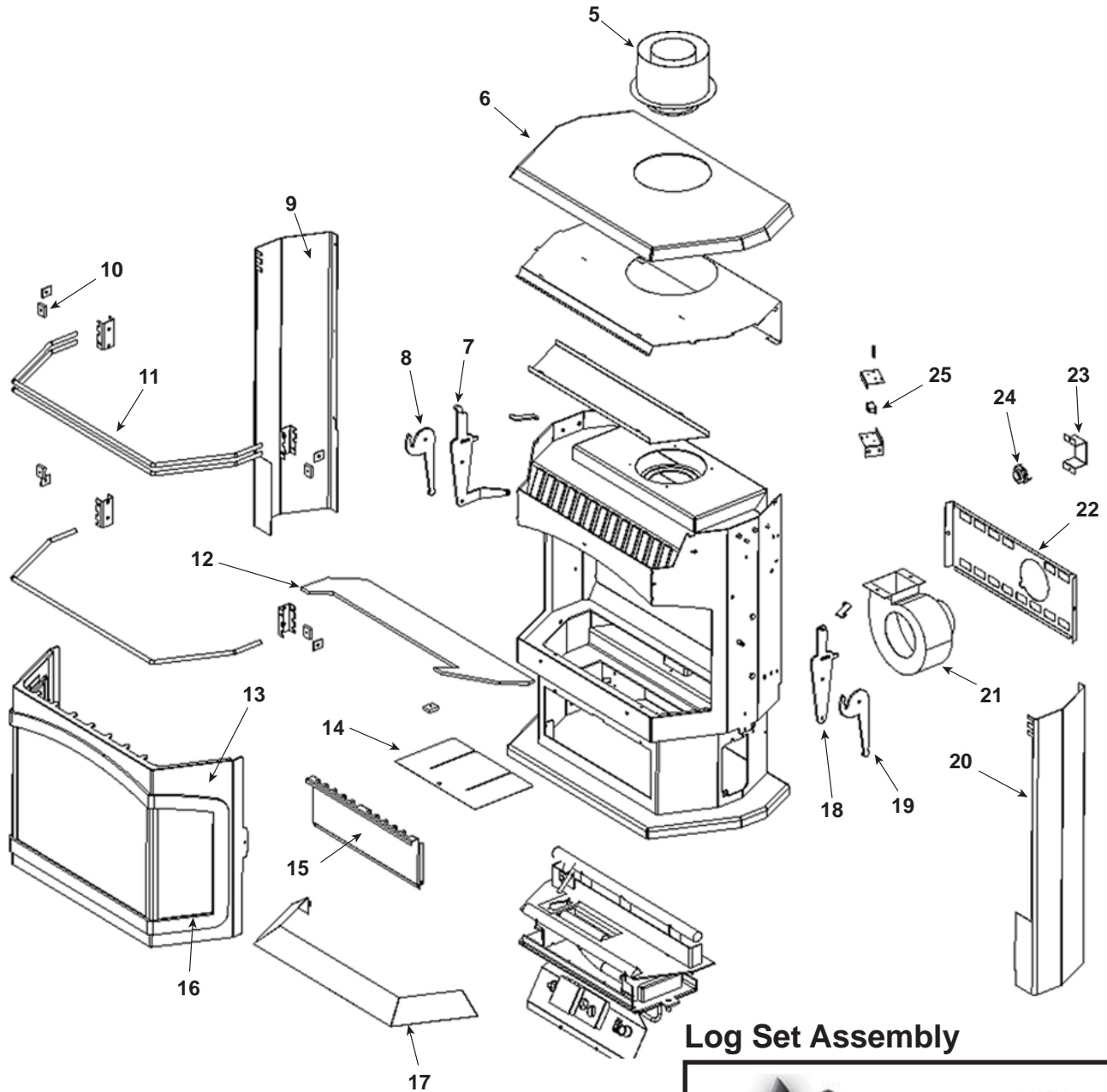
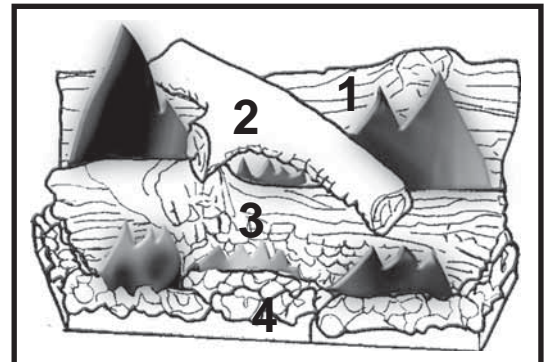


1-90-08260-1 (Black), 1-90-08260-2 (Charcoal), 1-90-08260-3 (Goldenfire), 1-90-08260-4 (Metallic Blue),  
1-90-08260-5 (Honey Glo), 1-90-08260-10 (Mojave Red), 1-90-08260-12 (Forest Green)



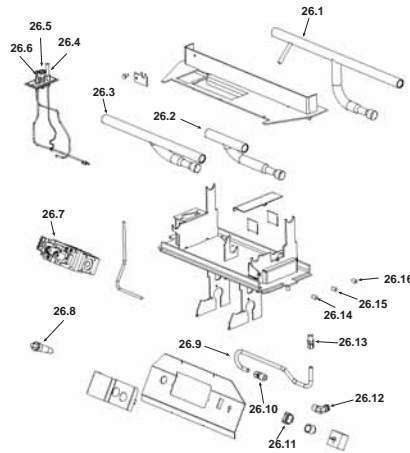
### Log Set Assembly



Part number list on following page.



### #26 Burner Assembly



**IMPORTANT: THIS IS DATED INFORMATION.** When requesting service or replacement parts for your appliance please provide model number and serial number. All parts listed in this manual may be ordered from an authorized dealer.



**Stocked  
at Depot**

ITEM	DESCRIPTION	COMMENTS	PART NUMBER	
	Valve Assembly, NG		1-10-08263	
	Valve Assembly, LP		1-10-08264	
	Burner Tube Set		1-00-08693	Y
26.1	Burner Tube, rear		3-40-08226	Y
26.2	Burner Tube, middle		3-40-08225	Y
26.3	Burner Tube, front w/ext		3-40-08693	Y
26.4	Thermopile		3-20-08219	Y
26.5	Pilot assembly - LP		3-40-08715	Y
	Pilot assembly - NG		3-40-08714	Y
26.6	Thermocouple w/nut (new style) (For use with PSE pilots)		3-40-08906	Y
	Thermocouple (for use with S.I.T. pilots)		3-40-08228	Y
26.7	Valve - NG		3-40-820628	Y
	Valve - LP		3-40-82057	Y
26.8	Piezo Igniter w/nut		3-40-08220	Y
26.9	Tubing 3/8" 'S' tube		2-00-08281	
26.10	Fitting, male compression 3/8" tp 3/8"		3-31-08284	
26.11	Rocker Switch, 3 position		3-20-08221A	Y
26.12	Brass Elbow, 90 degree		3-31-08282	
26.13	Fitting, male compression 1/4" tp 3/8"		3-31-08283	
26.14	Orifice, #56 male thread (center) - NG		3-40-57356	Y
	Orifice, #71 male thread (center) - LP		3-40-57271	Y
26.15	Orifice, #47 male thread (front) - NG		3-40-64347	Y
	Orifice, #56 male thread (front) - LP		3-40-57356	Y
26.16	Orifice, #39 male thread (rear) - NG		3-40-64739	Y
	Orifice, #53 male thread (rear) - LP		3-40-57753	Y
26-17	Burner Plate		1-10-08277W	

Additional service part numbers appear on following page.

