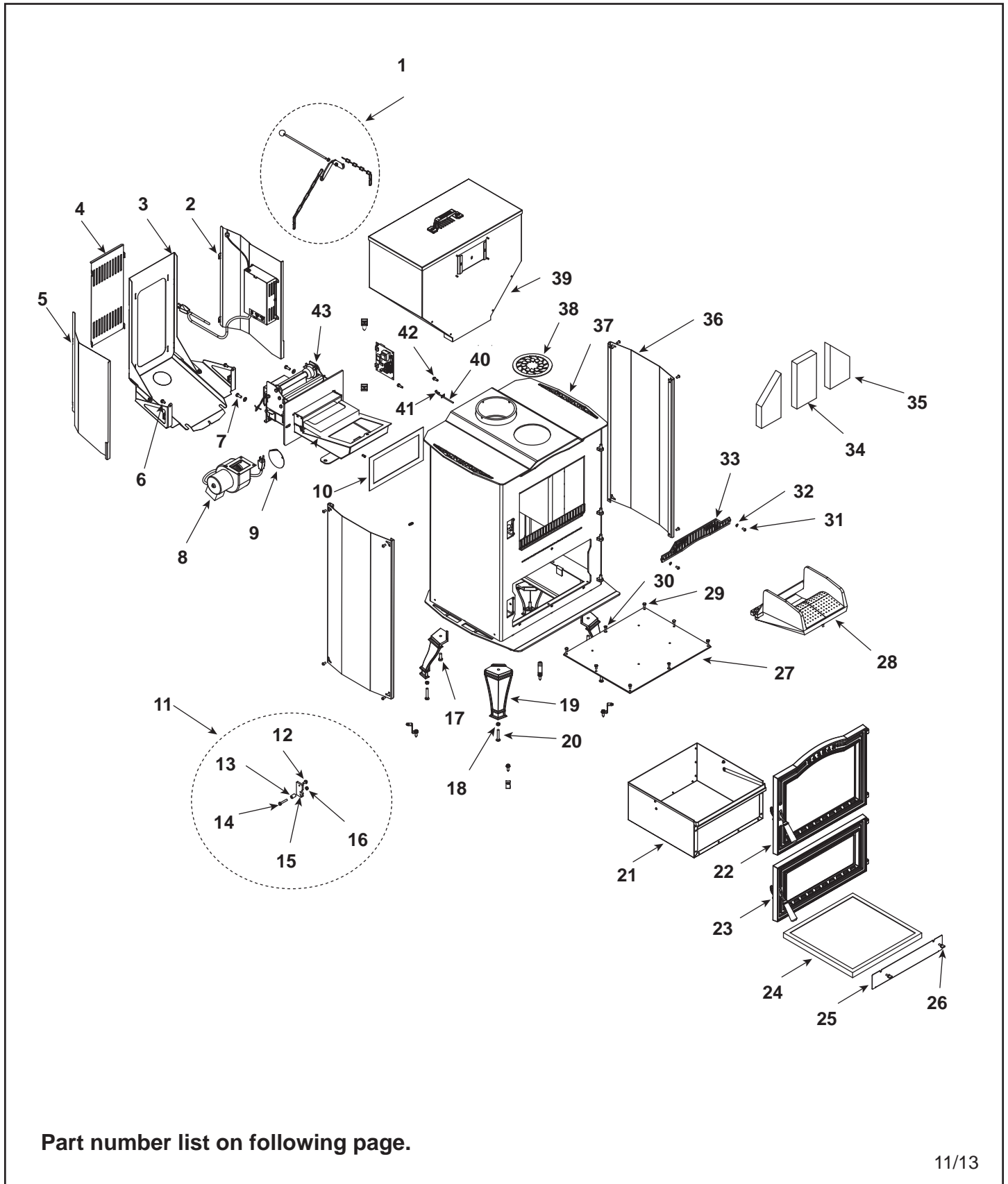


1-90-02700-1



Part number list on following page.

IMPORTANT: THIS IS DATED INFORMATION. Parts must be ordered from a dealer or distributor. **Hearth and Home Technologies does not sell directly to consumers.** Provide model number and serial number when requesting service parts from your dealer or distributor.



Stocked  
at Depot

ITEM	Description	COMMENTS	PART NUMBER	
1	Scraper Kit		1-00-02770	
2	Rear Cover Right Assembly W/O Board		1-10-02742A	
	Circuit Board w/Knobs & Shafts		1-00-06142	Y
3	Hopper Shield Support Assembly		1-10-02724A	
4	Rear Cover		2-00-02745B	
5	Rear Cover Left		2-00-02728B	
6	1/4-20 x 1/2" Grade 8.2 Zinc SAE Flange Bolt	Pkg of 50	3-30-2001-50	Y
7	5/16-18 x 3/4" Grade 5 Zinc Plated Hex Cap Screw	Pkg of 100	3-30-1125-100	Y
8	75CFM Blower 22" Cord / Combustion		3-21-07522	Y
9	Blower Restrictor Plate	Pkg of 2	2-00-01023-2	
10	Gasket Single-ply Feeder-Body		1-00-88100	Y
11	Handle Kit	Qty. 2 req.	1-00-27713	Y
12	1/4-20 x 1/2" Grade 8.2 Zinc SAE Flange Bolt	Pkg of 50	3-30-2001-50	Y
13	Steel Sleeve Bushing 1/2" OD x 3/4" Handle Kit		3-50-05230	
14	1/4-20 x 1 1/2 Grade 8 Yellow Zinc Hex Head Cap Screw	Pkg of 25	3-30-1119-25	Y
15	Adjuster Plate		2-00-06713D	
16	1/4-20 Grade C Zinc Plated Top Lock Nut	Pkg of 50	3-30-8021-50	Y
17	3/8-16 x 1" Grade 5 Zinc Plated Hex Cap Screw	Pkg of 50	3-30-1134-50	Y
18	5/16"-18 Grade 5 Zinc Plated Finished Hex Nut	Pkg of 100	3-30-8005-100	Y
19	Oakwood Legs	Qty 4 req	4-00-249100P	Y
20	5/16-18 x 2" Zinc Plated Carriage Bolt	Pkg of 25	3-30-4001-25	Y
21	Ash Pan Assembly		1-10-02736A	Y
22	Door Assembly		1-10-02748A	Y
	Glass		3-40-02749	Y
	Glass Gasket	15 Ft	1-00-2312	Y
	Door Gasket	30 Ft	1-00-00888	Y
23	Ash Door Assembly		1-10-02763A	Y
	Door Latch		1-00-249119	Y
24	Filter 16" x 16" x 1"		3-40-16161	
25	Filter Cover		2-00-02762B	
26	1/4-20 Wing Screw with Collar	Pkg of 10	3-31-782108-10	Y
27	Blower Assembly		1-10-02718A	
	Blower Distribution		3-21-47120	Y
28	Grate Holder Assembly W/O Inserts		1-10-01000	Y
	Grate Inserts	Qty 2 req	4-00-00046D	Y
29	1/4-20 x 1/2" Grade 5 Zinc Plated Hex Cap Screw Packaged	Pkg of 50	3-30-1108-50	Y
30	1/4"-20 x 1/2" Alloy Steel Black Oxide Flat Head Cap Screw	Pkg of 100	3-30-7001-100	Y

Additional service parts on following page.

IMPORTANT: THIS IS DATED INFORMATION. Parts must be ordered from a dealer or distributor. **Hearth and Home Technologies does not sell directly to consumers.** Provide model number and serial number when requesting service parts from your dealer or distributor.

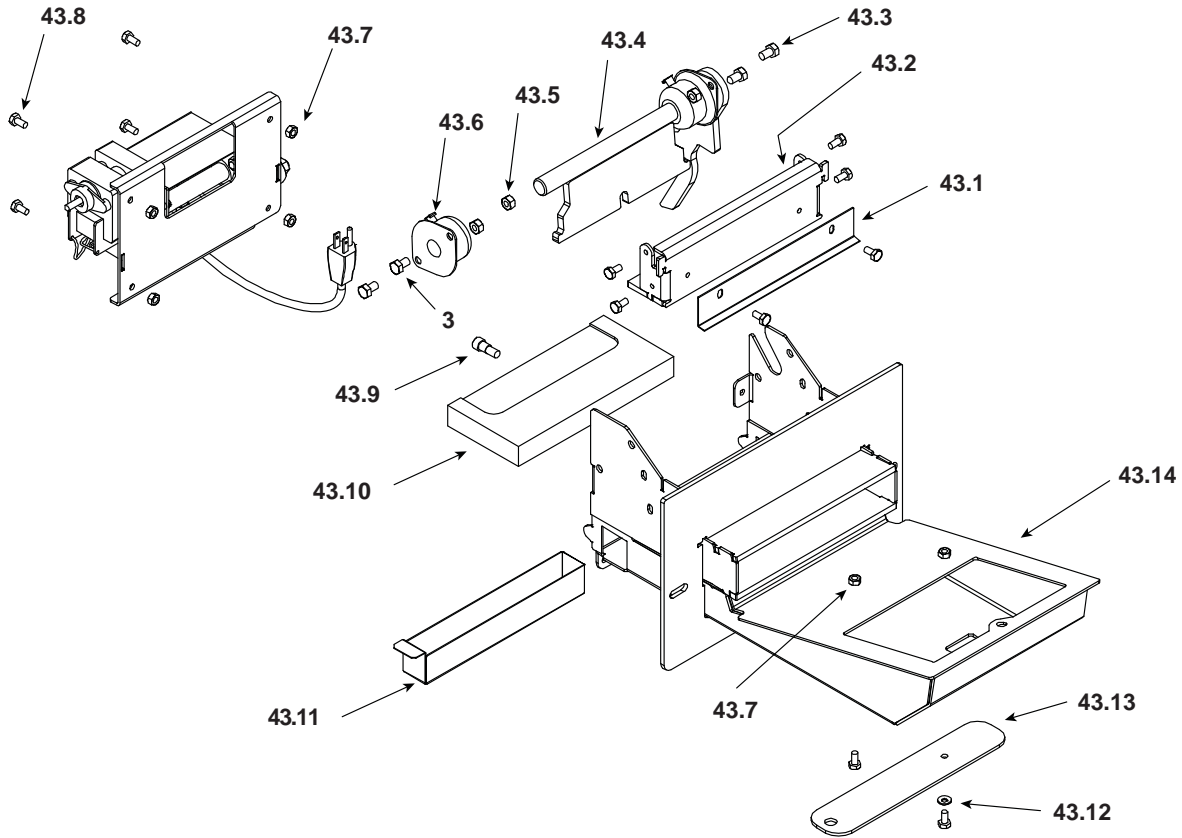


Stocked  
at Depot

ITEM	Description	COMMENTS	PART NUMBER	
31	1/4"-20 x 1/2" Alloy Steel Black Oxide Button Head Cap Screw	Pkg of 100	3-30-3015-100	Y
32	6 mm Spring Washer	Pkg of 25	3-31-08558-25	
33	Air Grill		2-00-02726L	
34	Standard Firebrick 9" x 4-1/2" x 1-1/4"	Pkg of 7	1-00-900450125	Y
35	Angle Cut Brick - Set of cut brick		2-00-00688	Y
36	Side Panel	Qty. 2 req.	2-00-02722B	
37	Body Weldment		1-89-02700W	
38	Duct Cover Weldment		1-10-02740W	
39	Hopper Assembly		1-10-02733-1A	Y
40	ESP Probe		3-20-02778	Y
41	#8-18 x 3/4" Hex Washer Head TEKS Drill and Tap	Pkg of 100	3-30-5003-100	Y
42	1/4-20x5/8" Hex Washer Slot T23 Zinc Thread Cutting Screw	Pkg of 50	3-30-1111-50	Y
	3/8"-16 x 1/4" Alloy Steel Black Oxide Cup Point SSS	Pkg of 25	3-30-2014-25	Y
	Air Grill	Brushed Stainless	3-43-02726-7	
	Ash Door Tile Frame	Brushed Stainless	3-43-02729-7	
	Ball Plunger, 5/16 x 1/2	Pkg of 3	3-31-5500-3	
	Ball Spring Bracket		2-00-06714	
	Brick, Full skid	414 Pcs	3-40-900450-414	
	Door Hinge w/Pin	Qty 2 req	3-00-773813	
	Door Trim	Brushed Stainless	3-43-06931-7	
	D-Shape Knob/Shaft	25 Sets	1-00-015605	Y
	Fem Disc- Fully Ins	Pkg of 25	1-00-00959	Y
	Front Door Handle & Bolt		1-00-00247	Y
	Front Door Latch		3-00-249119P	Y
	Gasket Glue, 32 oz		3-42-4583	
	Gasket, 3/8 RD HD	5 Ft	1-00-43375	Y
	Glass clips w/Hardware	Set of 4	2-00-05202-4	Y
	Ground Harness		3-20-02776	
	Label, Control Board		3-90-08646	
	Labels, Caution & Danger	10 Ea	1-00-200408541	
	Load Door		4-00-06920P	
	Load Door Latch Hardware		1-00-06903	
	Power Cords w/Ends		3-20-39685	Y
	Room Sensor		3-20-00906	Y
	Thermostat Extension		3-20-00607	Y
	Thermostat Probe Extension		3-20-72225	Y
	Touch Up Paint, Aerosol, Black	Pre 008600955	3-42-1990	
		Post 008600955	3-42-19905	
	Wiring Harness		3-20-02775	

Additional Service Parts on following page

### #43 Feeder Assembly



IMPORTANT: THIS IS DATED INFORMATION. Parts must be ordered from a dealer or distributor. **Hearth and Home Technologies does not sell directly to consumers.** Provide model number and serial number when requesting service parts from your dealer or distributor.

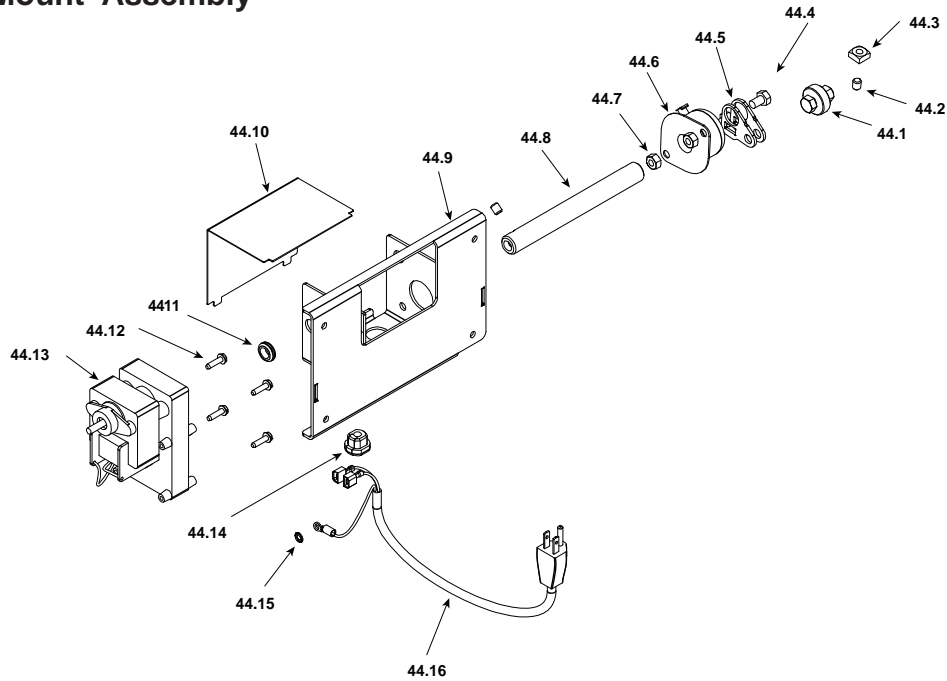


**Stocked  
at Depot**

ITEM	Description	COMMENTS	PART NUMBER	
43	Feeder Assembly		1-10-02700A	Y
43.1	Pusher Block Scraper		2-00-02772B	Y
43.2	Pusher Block Slide Weldment		1-10-02749W	Y
43.3	5/16-18 x 1/2" Grade 5 Zinc Plated Hex Cap Screw	Pkg of 50	3-30-1122-50	Y
43.4	Pusher Arm Weldment		1-10-02708W	Y
43.5	5/16"-18 Grade 5 Zinc Plated Finished Hex Nut	Pkg of 100	3-30-8005-100	Y
43.6	Pillow Block		3-31-324122	Y
43.7	1/4"-20 Zinc Plated Finished Hex Nut	Pkg of 100	3-30-8004-100	Y
43.8	HCS 1/4-20 X 1/2"	Pkg of 50	3-30-1108-50	Y
43.9	SH Shoulder Screw 5/16-18 X 3/8" X 3/8"		3-30-131180759	
43.10	Pusher Block		3-50-02777	Y
43.11	Fines Tray		2-00-02746B	Y
43.12	Washer - 1/4" Contact Spring	Pkg of 10	3-30-0300252-10	
43.13	Feeder Cleanout Slide		2-00-00048P	Y
43.14	Feeder Weldment		1-10-02701W	Y

Additional Service Parts on following page

### #44 Motor Mount Assembly



IMPORTANT: THIS IS DATED INFORMATION. Parts must be ordered from a dealer or distributor. **Hearth and Home Technologies does not sell directly to consumers.** Provide model number and serial number when requesting service parts from your dealer or distributor.



**Stocked  
at Depot**

ITEM	Description	COMMENTS	PART NUMBER	
44	Motor Mount Assembly		1-10-02760A	Y
44.1	Cam Bearing		3-31-3014	
44.2	5/16"-18 x 3/8" Alloy Steel Black Oxide Knurled Point SSS	Pkg of 25	3-30-2004-25	Y
44.3	5/16-18 Zinc Plated Square Nut	Pkg of 50	3-30-8025-50	Y
44.4	5/16-18 x 1/2" Grade 5 Zinc Plated Hex Cap Screw	Pkg of 50	3-30-1122-50	Y
44.5	Laser Cam Assembly		1-10-02764A	Y
44.6	Pillow Block		3-31-324122	Y
44.7	5/16"-18 Grade 5 Zinc Plated Finished Hex Nut	Pkg of 100	3-30-8005-100	Y
44.8	Extension Shaft		2-00-02706	Y
44.9	Back Cover		2-00-02705B	
44.10	Wire Cover		2-00-02773B	
44.11	Grommet 7/16" ID X 3/4" OD		3-31-960021	
44.12	HWH TCS 10-24X3/4 BLACK OX TYPE F	Pkg of 50	3-30-1102-50	Y
44.13	Pellet Feeder Gearmotor-4RPM		3-20-60906	Y
44.14	Cord Clamp		3-20-12402	
44.15	#10 External Toothlock Washer	Pkg of 100	3-30-0001-100	Y
44.16	22" Power Cord Feed Motor		3-20-29523	Y
	Male Disconnect (Power Cord)	Pkg of 25	1-00-00957	Y
	Gearmotor Blade	Pkg of 3	3-20-2046399-3	Y
	Ring Terminal (Power Cord Green)	Pkg of 25	1-00-01003	Y