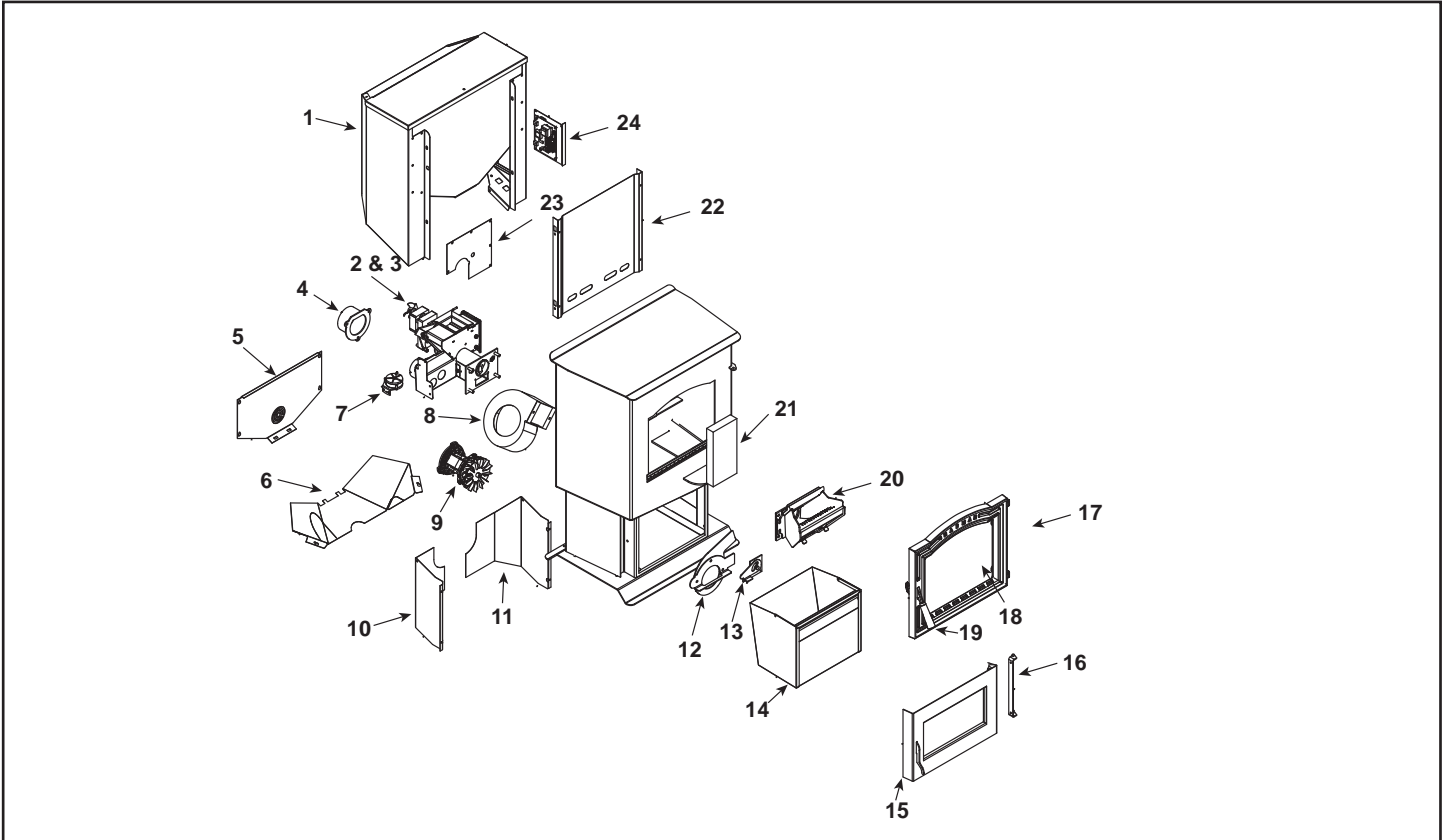


Retired Units

1-70-08500-1 (Black) (Ending Manufacturing Date: May 2006)
1-90-08500-2 (Charcoal) (Ending Manufacturing Date: June 2011)
1-90-08500-3 (Goldenfire) (Ending Manufacturing Date: June 2011)
1-90-08500-4 (Metallic Blue) (Ending Manufacturing Date: Jan 2010)

1-90-08500-5 (Honey Glo) (Ending Manufacturing Date: June 2009)
1-90-08500-10 (Mojave Red) (Ending Manufacturing Date: Jan 2010)
1-90-08500-12 (Forest Green) (Ending Manufacturing Date: Jan 2010)



IMPORTANT: THIS IS DATED INFORMATION. Parts must be ordered from a dealer or distributor. **Hearth and Home Technologies does not sell directly to consumers.** Provide model number and serial number when requesting service parts from your dealer or distributor.



Stocked
at Depot

ITEM	Description	COMMENTS	PART NUMBER	
1	Hopper Assembly	Pre 008080066	1-10-08517	Y
		008080066 Thru 008084166	1-10-09536A 1-00-232108	
		008084166 Thru 008190059	1-10-09536A	
		Post 008190059	1-10-09539A	Y
	Hopper Switch 48"	Post 008484166	3-20-232108	Y
	Retrofit Switch Kit For Hopper Extension		1-00-06826	Y
2	Feeder Assembly, Pre SN #008080066	Refer to following page		
3	Feeder Assembly, Post SN # 008080066	Refer to following page		
4	Flue Tail Pipe		3-00-247237	Y
5	Auger Motor Cover		2-00-773852P	Y
6	Auger Motor Shield		2-00-773815P	Y
7	Differential Switch		3-20-6866	Y

Additional service parts on following page.

IMPORTANT: THIS IS DATED INFORMATION. Parts must be ordered from a dealer or distributor. **Hearth and Home Technologies does not sell directly to consumers.** Provide model number and serial number when requesting service parts from your dealer or distributor.

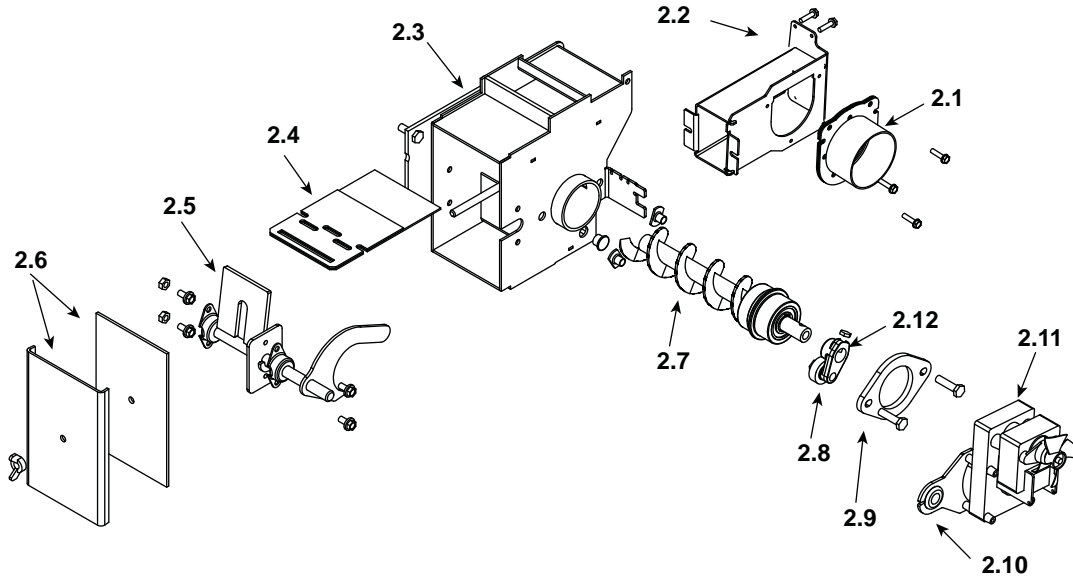


Stocked
at Depot

ITEM	Description	COMMENTS	PART NUMBER	
8	Distribution Blower		3-21-33647	Y
9	Combustion Motor		3-21-08639	Y
	Grommets & Spacers	Pkg of 25	1-00-960026	
	Blower Mounting Screws	Pkg of 100	1-00-53483208	
10	Rear Cover Left		2-00-773828-1P	Y
11	Rear Cover Right		2-00-773828-2P	Y
12	Combustion Intake Weldment		1-10-08516S	Y
13	Retainer Assembly		1-10-08533S	Y
14	Ash Pan	Pre 10327	1-10-08508	Y
		10327 to 008080066	1-10-773873	Y
		Post 008080066	1-10-7738108A	Y
15	Ash Door Assembly	Pre 008080066	1-10-773871	
		Post 008080066	1-10-7738106A	
16	Bolt on Hinge Weldment		2-00-06952B	
17	Cast Door Frame		4-00-06800P	
	Cast Door w/Glass		1-10-06800A	
18	Glass Panel		3-40-950133125	Y
	Glass Clip w/hardware (Pkg of 4)	Pre 00880001	1-00-773862	
		Post 00880001	1-00-249140	Y
19	Door Handle Assembly (Contains: Paw Bolt, Wooden Handle, Washers and Screws.)	Pre 10327	1-00-08704	Y
		Post 10327	1-00-453001	Y
	Wooden Handle, Load Door	Pre 10327	1-00-00122	Y
		Post 10327	1-00-00247	Y
20	Burn Pot Weldment		1-10-08514	Y
	Flame Guide		3-00-08534	Y
	Clean Out Cover		2-00-06112	Y
	Thumb Screw	Pkg of 10	3-31-782108-10	Y
21	Fire Brick 4-1/2 x 9 x 1-1/4"	Pkg of 7	1-00-900450125	Y
	Full Skid of Brick	414 Pieces	3-40-900450-414	
22	Hopper Heat Shield		2-00-773854B	
23	Feeder Cover		2-00-773853	
24	Circuit Board w/Knobs & Shafts	Pre 008190059	1-00-7738111	Y
		Post 008190059	1-00-06142	Y
	Circuit Board Plate, Studded with Label	Pre 008190059	1-10-08540	
	Circuit Board Label	Pre 008190059	3-90-08537	
		Post 008190059	3-90-08646	
	Control Board Knob/D-Shaft	25 Sets	1-00-015605	Y

Additional service parts on following page.

#2 Pre Serial Number 008080066 Feeder Assembly



IMPORTANT: THIS IS DATED INFORMATION. Parts must be ordered from a dealer or distributor. **Hearth and Home Technologies does not sell directly to consumers.** Provide model number and serial number when requesting service parts from your dealer or distributor.

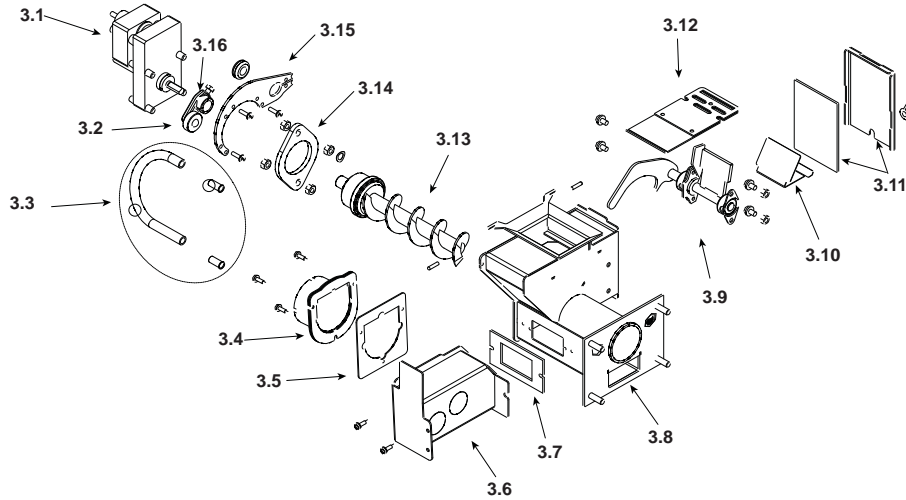


**Stocked
at Depot**

ITEM	Description	COMMENTS	PART NUMBER	
2	Feeder Assembly		1-10-09525	
2.1	Air Intake Damper Assembly		1-10-06466W	
2.2	Air Intake Weldment		1-10-773843	
2.3	Feeder Weldment		1-10-677150	Y
2.4	Slide Plate Assembly		1-10-08037	Y
2.5	Pusher Arm Assembly		1-10-773890	Y
2.6	Feed Cover and Gasket	2 Sets	1-00-677152	Y
2.7	Auger Assembly		3-50-00465	Y
2.8	Cam Bearing		3-31-3014	Y
2.9	Bearing Flange w/Hardware		1-00-04035	Y
2.10	Bracket, Gear Motor w/Grommet		1-00-01534	Y
2.11	Gear Motor, 4 RPM		3-20-60906	Y
	Gear Motor Blade	Pkg of 3	3-20-2046399-3	Y
2.12	Cast Cam Block		3-00-00153	Y
	Feeder Air Crossover Kit		1-00-67900	Y
	Feeder Repair Kit		1-00-677150	Y
	Gasket, Feeder, Air Intake	Pkg of 6	3-44-72224-6	Y
	Motor Bracket Grommet	Pkg of 12	3-31-2761-12	
	Pillow Block	Pkg of 4	3-31-3614087-4	Y

Additional service parts on following page.

#3 Post Serial Number 008080066 Feeder Assembly



IMPORTANT: THIS IS DATED INFORMATION. Parts must be ordered from a dealer or distributor. **Hearth and Home Technologies does not sell directly to consumers.** Provide model number and serial number when requesting service parts from your dealer or distributor.



**Stocked
at Depot**

ITEM	Description	COMMENTS	PART NUMBER	
3	Feeder Assembly		1-10-09535A	
3.1	Pellet Feeder Gear Motor, 4 RPM		3-20-60906	Y
3.2	UL Feeder Cam Bearing		3-31-3014	Y
3.3	Feeder Air Crossover Kit		1-00-67900	Y
	9MM Silicone Tube	5 Ft	1-00-511427	Y
3.4	Pellet Air Intake Assembly		1-10-06810A	
3.5	Gasket Feeder Air Intake	Pkg of 6	3-44-72224-6	Y
3.6	UL Feeder Air Intake		1-10-72222	
3.7	Gasket Ultra Air Intake	Pkg of 10	3-44-677160-10	Y
3.8	Ultra Feeder Weldment		1-10-724132	Y
3.9	UL Feeder Pusher Arm		1-10-677187W	Y
3.10	Fines Deflector	No longer available	2-00-677138-10	
3.11	Gasket, UL Feeder Cover		1-00-677122	Y
3.12	Slide Plate Assembly		1-10-677121A	Y
3.13	UL Feeder Auger Assembly		3-50-00565	Y
3.14	Bearing Flange w/Hardware		1-00-04035	Y
3.15	UL Feeder Gear Motor Bracket w/Grommet		1-00-247406	Y
3.16	UL Feeder Cam Block		3-00-677154	Y
	Gasket, Hopper Throat		3-44-677185	Y
	Hopper Switch Feeder fitting	Pkg of 2	1-00-142818	Y
	Motor Bracket Grommet	Pkg of 12	3-31-2761-12	
	Pillow Block	Pkg of 4	3-31-3614087-4	Y
	Silicone Tubing, 1/8"	5 Ft	1-00-5113574	Y

Additional service parts on following page.

IMPORTANT: THIS IS DATED INFORMATION. Parts must be ordered from a dealer or distributor. **Hearth and Home Technologies does not sell directly to consumers.** Provide model number and serial number when requesting service parts from your dealer or distributor.



Stocked
at Depot

ITEM	Description	COMMENTS	PART NUMBER	
	Airwash O-rings	Pkg of 10	1-00-939639	Y
	Arrow Burn Pot Scraper	Pkg of 10	2-00-773850-10	
	Diagnostic Display Module		3-20-05401	Y
	DDM Replacement Cable		1-00-05402	
	Disconnects, Female	Pkg of 25	1-00-00959	Y
	Door Hinge w/pin, Cast	Front Door	3-00-773813	
	Draft Meter Assembly		1-00-00637	Y
	Draft Meter Bolt & Tube		1-00-04004	
	Fan Blade, 5" Double Paddle (Combustion Blower)		3-20-502221	Y
	Fuse, 6 Amp	Pkg of 5	3-20-49447-5	Y
	Gasket, 1/4" Rope Black W/PSA (Glass)	15 Ft	1-00-2312	Y
	Gasket, 3/8" Rope White LD (Ash Door or Load Door)	30 Ft	1-00-00888	Y
	Gasket, Burn Pot/Tailpipe	Pkg of 5	1-00-07381	Y
	Gasket, Hopper Lid		1-00-00248	Y
	Hopper Lid W/HInge		1-10-08518	Y
	Labels, Caution & Danger	10 ea.	1-00-200408541	
	Label, Caution		3-90-00247	
	Latch, Swell/Hopper		1-00-199110	Y
	Spacer	Pkg of 10	3-31-901311-10	
	Hopper Muffler and Fittings	1 set	1-00-18186618	Y
	Outside Air Vent		1-10-09542	
	Power Cord		3-20-39685	Y
	Thermister Probe (ESP Probe)	Pre 008190059	3-20-11744	Y
	Thermister Probe (Red)	Post 008190059	3-20-00844	Y
	Thermostat	Pre 008190059	3-20-12080	Y
	Room Sensor	Post 008190059	3-20-00906	Y
	Touch Up Paint, Black	Pre 008164569	3-42-1990	
		Post 008164569	3-42-19905	
	Wiring Harness	Pre 008190059	3-20-773868	
		Post 008190059	3-20-08727	Y
	Leaf Door Trim	Gold	3-43-06802-4	
		Brushed Stainless	3-43-06802-7	
		Bright Nickel	3-43-06802-8	
	Modern Door Trim	Brushed Stainless	3-43-06839-7	
	Ash Lip Trim	Gold	3-43-08400	
		Brushed Stainless	3-43-08400-7	
		Bright Nickel	3-43-08400-8	
	Tile Frame	Gold	3-43-06729-4	
		Brushed Stainless	3-43-06729-7	
		Bright Nickel	3-43-06729-8	
	Spring Clips (Required for installation of Tile Frame)	Pkg of 20	3-31-232547-20	