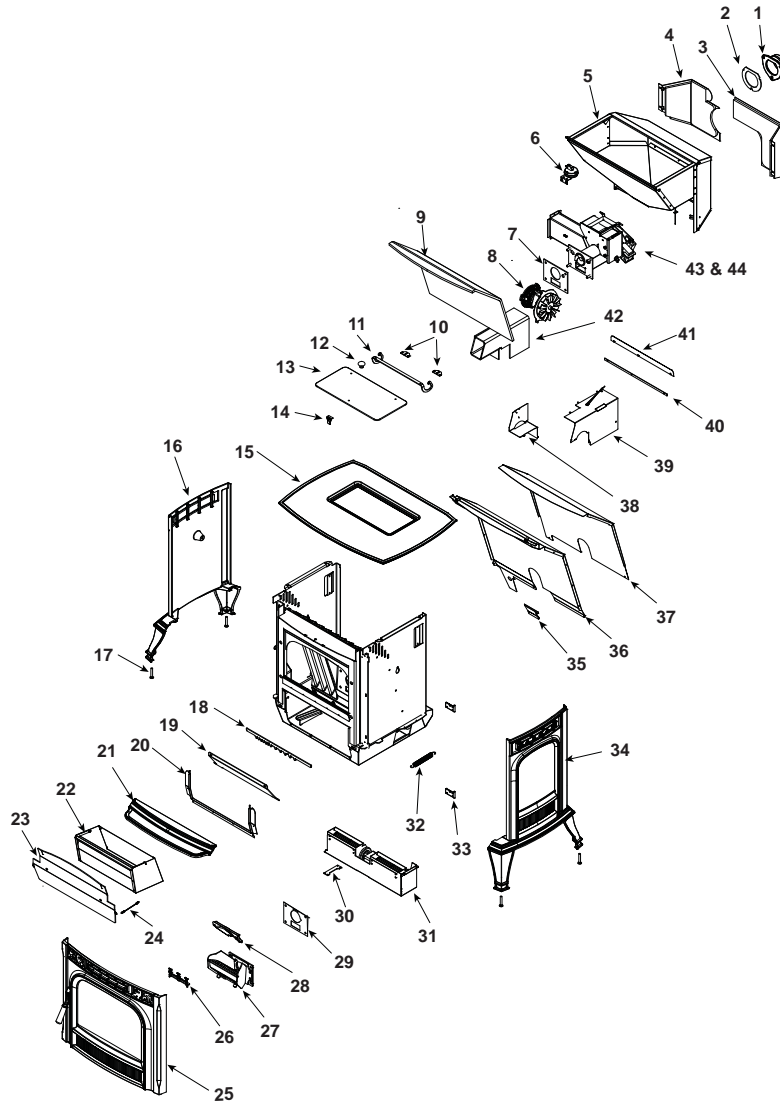


Active

- 1-90-00677-1 (Black),
- 1-90-00677-14 (Majolica Brown)
- 1-90-00677-19 (Bronze)
- 1-90-00677-20 (Dark Blue)
- 1-90-00677-21 (Frost)
- 1-90-00677-22 (Black Porcelain)

Retired units:

- 1-90-00677-2 (Charcoal) (June 2011)
- 1-90-00677-3 (Goldenfire) (June 2011)
- 1-90-00677-4 (Metallic Blue) (Jan 2010)
- 1-90-00677-5 (Honey Glo)(June 2009)
- 1-90-00677-10 (Mojave Red) (Jan 2010)
- 1-90-00677-12 (Forest Green)(Jan 2010)
- 1-90-00025-2 (25th Anniversary Edition) (June 2009)



IMPORTANT: THIS IS DATED INFORMATION. Parts must be ordered from a dealer or distributor. **Hearth and Home Technologies does not sell directly to consumers.** Provide model number and serial number when requesting service parts from your dealer or distributor.



Stocked at Depot

ITEM	DESCRIPTION	COMMENTS	PART NUMBER	
1	Pellet Tailpipe Cast		3-00-247237	Y
2	Gasket, Tail Pipe/Burn Pot	Pkg of 5	1-00-07381	Y
3	Right Feeder Shield	Pre 008214413	1-10-677085A	Y
		Post 008214413	1-10-677885A	Y
4	Left Feeder Shield		1-10-677084A	Y

IMPORTANT: THIS IS DATED INFORMATION. Parts must be ordered from a dealer or distributor. **Hearth and Home Technologies does not sell directly to consumers.** Provide model number and serial number when requesting service parts from your dealer or distributor.



**Stocked
at Depot**

ITEM	DESCRIPTION	COMMENTS	PART NUMBER	
5	Hopper Assembly	Pre 12871	1-10-677800A	
		12871 Thru 008214413	1-10-677190A	Y
		Post 008214413	1-10-677206A	Y
	Gasket, Hopper Top		1-00-375501	Y
	Grommet, 3/4"		3-31-960021	
	Hopper Switch		3-20-232108	Y
6	Differential Switch		3-20-6866	Y
7	Gasket, Burn Pot\Tailpipe	Pkg of 5	1-00-07381	Y
8	Combustion Blower		3-21-08639	Y
	5" Double Blade		3-20-502221	Y
	Blower Mounting Screws	Pkg of 100	1-00-53483208	
	Mounting Plate		1-10-677006	
9	Hopper Insulation		3-44-677037	
10	Hopper Hinge Plate	Qty. 2 Req.	2-00-06695L	
11	Hinge		2-00-06694	
12	Hopper Knob	Gold	3-43-02000	
		Brushed Nickel	3-43-02000-8	
13	Hopper Lid, Glass		3-40-247100	Y
14	Hopper Lid Latch (Male and Female)	2 Sets	1-00-0669697	Y
	Ball Plungers	Pkg of 3	3-31-5500-3	
	Hopper Lid Gasket	20 Ft	1-00-375501	Y
	Push Retainers, 5/16"	Pkg of 100	3-31-94807-100	
	Screw Post Kit	20 Sets	1-00-129004	Y
15	Top	Plain	4-00-677057P	
	Top, Bronze	No longer Available	1-10-677057-19	
	Top, Brown	Pre 008206292	1-10-677057-14V	
		Post 008206292	1-10-677057-14	
	Top	Dark Blue Porcelain	1-10-677057-20	
		Frost Porcelain	1-10-677057-21	
Black Porcelain		1-10-677057-22		
16	Left Side	Plain	4-00-677055P	
	Left Side, Bronze	No longer Available	1-10-677055-19	
	Left Side, Brown	Pre 008206292	1-10-677055-14V	
		Post 008206292	1-10-677055-14	
	Left Side	Dark Blue Porcelain	1-10-677055-20	
		Frost Porcelain	1-10-677055-21	
Black Porcelain		1-10-677055-22		

Additional service part numbers appear on following page.

IMPORTANT: THIS IS DATED INFORMATION. Parts must be ordered from a dealer or distributor. **Hearth and Home Technologies does not sell directly to consumers.** Provide model number and serial number when requesting service parts from your dealer or distributor.



**Stocked
at Depot**

ITEM	DESCRIPTION	COMMENTS	PART NUMBER	
17	Leveler Feet	Pkg of 4	1-00-12302	
18	Airwash Reducer		1-00-677300	
19	Ash Door Stop		2-00-677096B	
20	Ash Door Gasket Retainer		2-00-677025B	
	Gasket, Ash Door	30 Ft	1-00-71611	Y
21	Ashlip	Plain	4-00-677058P	
	Ashlip, Bronze	No longer Available	1-10-677058-19	
	Ashlip, Brown	Pre 008206292	1-10-677058-14V	
		Post 008206292	1-10-677058-14	
	Ashlip	Dark Blue Porcelain	1-10-677058-20	
		Frost Porcelain	1-10-677058-21	
Black Porcelain		1-10-677058-22		
22	Ash Pan		1-10-677044	Y
23	Ash Door Weldment		1-10-677026A	
24	Cable Lanyard		3-31-677070	
25	Load Door Assembly	Plain	1-10-677099A	Y
	Load Door Assembly, Bronze	No longer Available	1-10-677099A-19	Y
	Load Door Assembly	Dark Blue	1-10-677099A-20	Y
		Black Enamel	1-10-677099A-22	Y
		Frost Porcelian	1-10-677099A-21	Y
	Load Door Assembly, Brown	Pre 008206292	1-10-677099-14V	Y
Post 008206292		1-10-677099A-14	Y	
	Door Only w/Rope	Plain	4-00-674053A	Y
		Dark Blue	4-00-674053-20A	Y
		Black Enamel	4-00-674053-22A	Y
		Frost Porcelian	4-00-674053-21A	Y
	Door Only w/Rope, Brown	Pre 008206292	4-00-674053-14S	Y
		Post 008206292	4-00-674053-14A	Y
	Air Grill	Plain	3-00-677004P	
	Latch Roller Hardware		1-00-05230	Y
	Door Glass		3-40-677000	Y
	Door Rope	30 Ft	1-00-00888	Y
	Glass Clips and Hardware	Pkg of 4	1-00-249140	Y
	Glass Rope	10 Ft	1-00-1186258229	Y
	Handle Assembly (2 Sets)		1-00-249119	Y
	Contains: Handle, 6 mm Washer, SHCS, handle, Dowel, Plunger, SSS, Bhcs			
	Latch Trim Plate, Enamel Only		2-00-674206P	
	Wooden Handle	Pkg of 2	1-00-00247	Y

Additional service part numbers appear on following page.

IMPORTANT: THIS IS DATED INFORMATION. Parts must be ordered from a dealer or distributor. **Hearth and Home Technologies does not sell directly to consumers.** Provide model number and serial number when requesting service parts from your dealer or distributor.



Stocked
at Depot

ITEM	DESCRIPTION	COMMENTS	PART NUMBER	
26	Letters		2-00-677022S	
27	Burn Pot		1-10-00675	Y
	Clean Out Cover	2 Sets	1-00-06623	Y
	Thumb Screw	Pkg of 10	3-31-782108-10	Y
28	Flame Guide		3-00-03000	Y
29	Ceramic Insert Gasket		3-44-724114	Y
30	Distribution Blower Mount Plate		2-00-677006L	
31	Distribution Blower		1-00-29145	Y
	Wire Kit (Needed for Bay Motor to EBM)	No longer available	1-00-29045	
	Distribution Blower Box		2-00-677023B	
32	Extension Spring		3-31-2181	
33	Hinge Plate	Qty. 2 req.	3-00-674047	
34	Right Side	Plain	4-00-677056P	
	Right Side, Bronze	No longer Available	1-10-677056-19	
	Right Side, Brown	Pre 008206292	1-10-677056-14V	
		Post 008206292	1-10-677056-14	
	Right Side	Dark Blue Porcelain	1-10-677056-20	
		Frost Porcelain	1-10-677056-21	
Black Porcelain		1-10-677056-22		
35	Air Jacket Filler Plate		2-00-677039B	
36	Air Jacket		2-00-677035B	
37	Hopper Heat Shield		2-00-677038B	
38	Distribution Blower Heat Shield		2-00-677041B	
39	Combustion Box Heat Shield		2-00-677040B	
40	Rear Shield Spacer		2-00-677087L	
41	Rear Shield Retainer		2-00-677086L	
42	Combustion Assembly Insulation		3-44-677042	
	Arrow Burn Pot Scraper	Pkg of 10	2-00-773850-10	
	Diagnostic Display Module		3-20-05401	Y
	DDM Replacement Cable		1-00-05402	
	Draft Meter Assembly		1-00-00637	Y
	Draft Meter Bolt & Tube		1-00-04004	
	Circuit Board w/Knobs & Shaft		1-00-05886	Y
	6 Amp Fuse	Pkg of 5	3-20-49447-5	Y
	Knob, Control Board/D-shaft	25 Sets	1-00-015605	Y
	Label, Control Board		3-90-247155A	
	Hopper Muffler and Fitting	1 Set	1-00-18186618	Y

Additional service part numbers appear on following page.

IMPORTANT: THIS IS DATED INFORMATION. Parts must be ordered from a dealer or distributor. **Hearth and Home Technologies does not sell directly to consumers.** Provide model number and serial number when requesting service parts from your dealer or distributor.

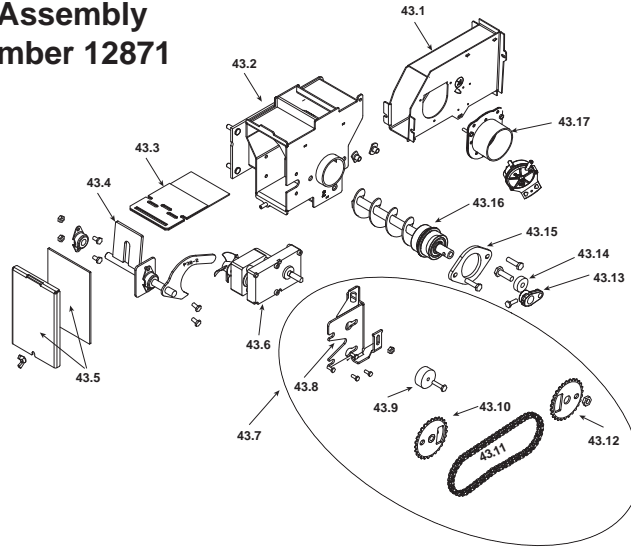


Stocked
at Depot

ITEM	DESCRIPTION	COMMENTS	PART NUMBER	
	Igniter		3-20-677200	Y
		Pkg of 10	1-00-677200	Y
	Igniter Cradle, Holder, & Flat Bottom	3 Sets	1-00-06620	Y
	Labels, Caution & Danger	10 Ea	1-00-200408541	
	Latch Retainer, Load Door		2-00-674098S	
	Power Cord		3-20-39685	Y
	Rocker Switch	Pre 008203932	3-20-07625	
	Room Sensor		3-20-00906	Y
	Silicone Tubing, 1/8"	5 Ft	1-00-5113574	Y
	Touch Paint, Enamel Brown	Pre 008206292	1-00-6252	
		Post 008206292	1-00-0014	
	Touch up Paint, Black	Pre 008215076	3-42-1990	
		Post 008215076	3-42-19905	
	Touch Up Paint, Bronze		3-42-0019	Y
	Touch up Paint	Dark Blue Porcelain	1-00-0020	
		Frost Porcelain	1-00-0021	
		Black Porcelain	1-00-0022	
	Thermister Probe (ESP Probe)	Pre 008200828	3-20-11744	Y
		Post 008200828	3-20-00844	Y
	Thermostat Extension		3-20-00607	Y
	Wiring Harness		3-20-08727	Y
Hardware Packages				
	Bolt, Case Hardened Zinc Flange, 1/4-20 x 3/8	Pkg of 50	3-30-2000-50	Y
	Bolt, Grade 8.2 Zinc Flange SAE, 1/4-20 x 5/8	Pkg of 50	3-30-2002-50	Y
	Disconnects, Female, 1/4"	Pkg of 25	1-00-00959	Y
	Nut, Zinc Plated Serrated Flange Lock, 1/4-20	Pkg of 100	3-30-8024-100	Y
	Nut, Grade 5 Zinc Plated Finished Hex, 5/16"-18	Pkg of 100	3-30-8005-100	Y
	Nut, Grade 8 Yellow Zinc Finished Hex, 5/16"-18	Pkg of 100	3-30-8006-100	Y
	Screw, Hex Washer Head TEKS Drill and Tap, #8-18 x 3/4"	Pkg of 100	3-30-5003-100	Y
	Screw, Alloy Steel Black Oxide Cup Point SSS, 1/4"-20 x 1-1/2"	Pkg of 25	3-30-2011-25	Y
	Screw, Alloy Steel Black Oxide SocketHeadCap, 1/4"-20 x 2-1/4"	Pkg of 50	3-30-3006-50	Y
	Screw, BLK OX, HWH TCS 10-24X1/2	Pkg of 100	3-30-1101-100	Y
	Screw, Grade 5 Zinc Plated Hex Cap, 1/4-20 x 1"	Pkg of 50	3-30-1115-50	Y
	Screw, Grade 5 Zinc Plated Hex Cap. 3/8-16 x 1/2"	Pkg of 50	3-30-1132-50	Y
	Screw, Hex Washer Slot T23 Zinc Thread Cutting ,1/4-20x5/8"	Pkg of 50	3-30-1111-50	Y
	Shim Set	Pkg of 4	2-00-677027-4	
	Washer, Zinc Plated USS Flat Washer, 1/4"	Pkg of 100	3-30-0202-100	Y
	Washer, External Lock, 5/16" Zinc Plated	Pkg of 100	3-30-0303-100	Y

Additional service parts on following page.

#43 Feeder Assembly Pre Serial Number 12871



IMPORTANT: THIS IS DATED INFORMATION. Parts must be ordered from a dealer or distributor. **Hearth and Home Technologies does not sell directly to consumers.** Provide model number and serial number when requesting service parts from your dealer or distributor.

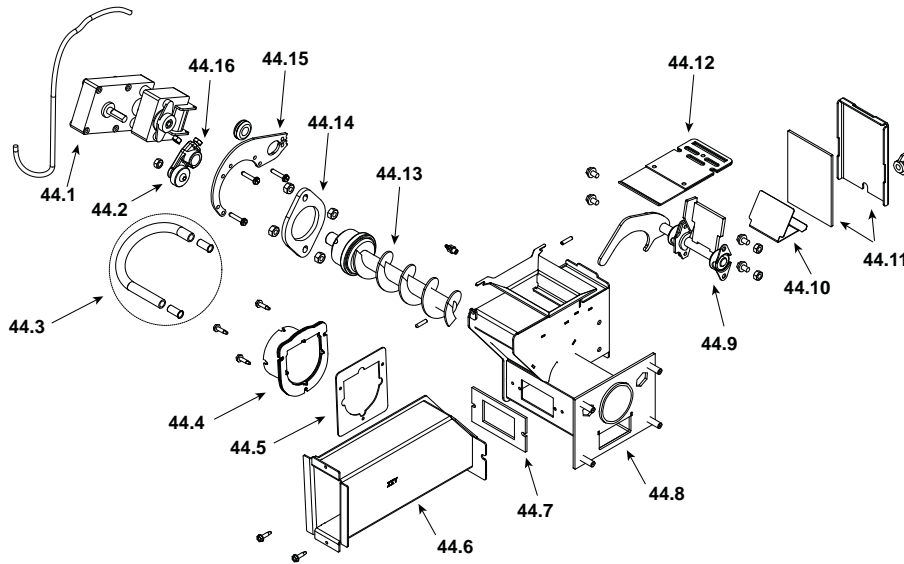


**Stocked
at Depot**

ITEM	Description	COMMENTS	PART NUMBER	
43	Feeder Assembly	Pre 12871	1-10-677153A	
43.1	Air Intake Weldment		1-10-677016W	
43.2	Feeder Weldment		1-10-677150	Y
43.3	Slide Plate Assembly		1-10-08037	Y
43.4	Pusher Arm Assembly		1-10-01530	Y
43.5	Feed Cover and Gasket	2 Sets	1-00-677152	Y
43.6	Gear Motor, 4 RPM		3-20-08752	Y
43.7	Sprocket Kit		1-00-06626	Y
43.8	Bracket, Gear Motor		1-10-677005	Y
	Grommets & Spacers	Pkg of 25	1-00-960026	
43.9	3/4 Feeder Tensioner		3-31-00075	Y
43.10	3 1/2" Sprocket		2-00-06626M	Y
43.11	Chain - 60 Pin		3-50-06667	Y
43.12	3 1/2" Sprocket w/Hub		1-10-08550W	Y
43.13	Cast Cam Block		3-00-00153	Y
43.14	Cam Bearing		3-31-3014	Y
43.15	Bearing Flange w/Hardware		1-00-04035	Y
43.16	Auger Assembly		3-50-00465	Y
43.17	Air Intake Damper Assembly		1-10-06466W	
	Feeder Air Crossover Kit		1-00-67900	Y
	Feeder Replacement Kit		1-00-677150	Y
	Gasket, Feeder, Air Intake	Pkg of 6	3-44-72224-6	Y
	Pillow Block	Pkg of 4	3-31-3614087-4	Y

Additional service parts on following page.

#44 Feeder Assembly Post Serial Number 12871



IMPORTANT: THIS IS DATED INFORMATION. Parts must be ordered from a dealer or distributor. **Hearth and Home Technologies does not sell directly to consumers.** Provide model number and serial number when requesting service parts from your dealer or distributor.



Stocked at Depot

ITEM	Description	COMMENTS	PART NUMBER	
44	Feeder Assembly	Post 12871	1-10-677189A	
44.1	Pellet Feeder Gear Motor, 4 RPM		3-20-00677	Y
44.2	UL Feeder Cam Bearing		3-31-3014	Y
44.3	Feeder Air Crossover Kit		1-00-67900	Y
	9MM Silicone Tube	5 Ft	1-00-511427	Y
44.4	Pellet Air Intake Assembly		1-10-06810A	
44.5	Gasket Feeder Air Intake	Pkg of 6	3-44-72224-6	Y
44.6	UL Feeder Air Intake		1-10-677183	
44.7	Gasket Ultra Air Intake	Pkg of 10	3-44-677160-10	Y
44.8	Ultra Feeder Weldment		1-10-724132	Y
44.9	UL Feeder Pusher Arm		1-10-677131W	Y
44.10	Fines Deflector	No longer available	2-00-677138-10	
44.11	Gasket, UL Feeder Cover		1-00-677122	Y
44.12	Slide Plate Assembly		1-10-677121A	Y
44.13	UL Feeder Auger Assembly		3-50-00565	Y
44.14	Bearing Flange w/Hardware		1-00-04035	Y
44.15	UL Feeder Gear Motor Bracket w/Grommet		1-00-247406	Y
44.16	UL Feeder Cam Block		3-00-677154	Y
	Gasket, Hopper Throat		3-44-677185	Y
	Hopper Switch Feeder Fitting	Pkg of 2	1-00-142818	Y
	Pillow Block	Pkg of 4	3-31-3614087-4	Y