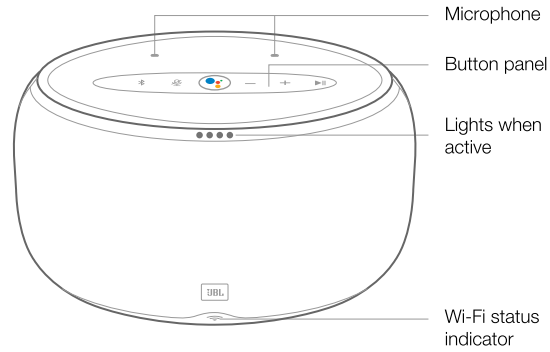




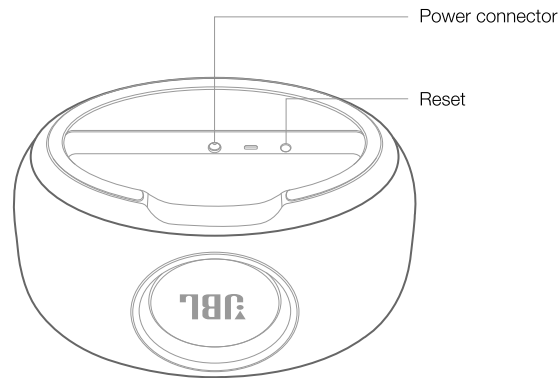
# Link 300

## Product Tour

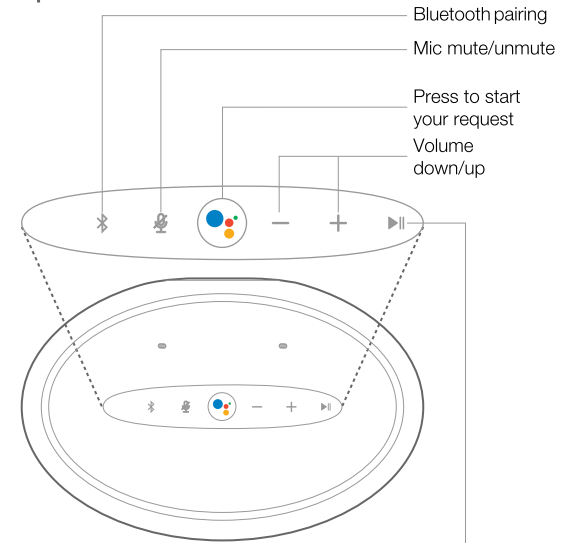
### Front



### Bottom



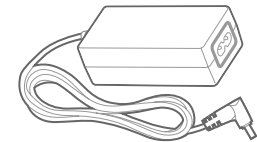
### Top



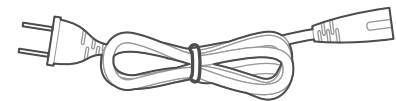
Press to stop audio, timers, alarms, and responses



### Power adapter



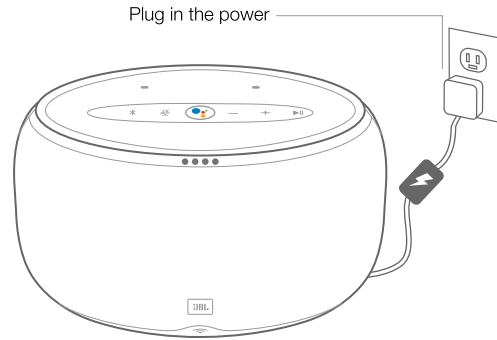
### AC powercord



For more product information, please visit [www.jbl.com](http://www.jbl.com)

## Get Started

1.



2.



Download and run the Google Home app on a phone or tablet.  
Set up your JBL Link 300 in the **Google Home app**.

## Specification

- Transducer: 1 x 89mm woofer, 1 x 20mm tweeter
- Output power: 2 x 25W
- Frequency response: 55Hz-22KHz (-6dB)
- Signal-to-noise ratio: >80dB
- Power Supply: 19VDC, 3.0A
- Wireless network: 802.11b/g/n/ac (2.4GHz/5Ghz)
- Bluetooth version: 4.2
- Supported audio formats: HE-AAC, LC-AAC, MP3, Vorbis, WAV (LPCM), FLAC, Opus
- Dimensions (W x H x D): 236 x 134 x 154 mm
- Weight: 1.75 kg



The Wi-Fi CERTIFIED Logo is a certification mark of the Wi-Fi Alliance. The Wi-Fi Protected Setup Identifier Mark is a mark of the Wi-Fi Alliance.

The Bluetooth® word mark and logos are registered trademarks owned by Bluetooth SIG, Inc. and any use of such marks by HARMAN International Industries, Incorporated is under license. Other trademarks and trade names are those of their respective owners.

Chromecast is a trademark of Google Inc. Google Play, and the Google Play logo are trademarks of Google Inc.