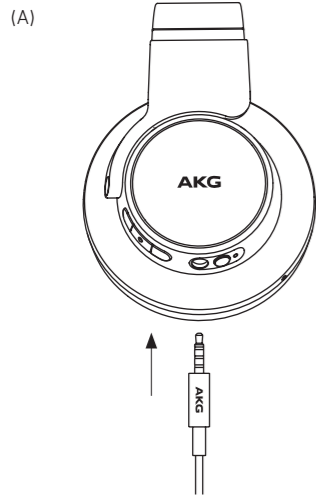
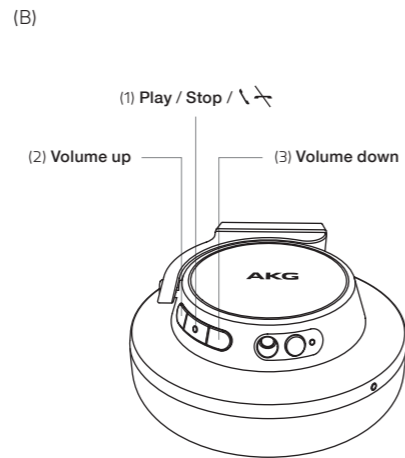


## A OPERATION

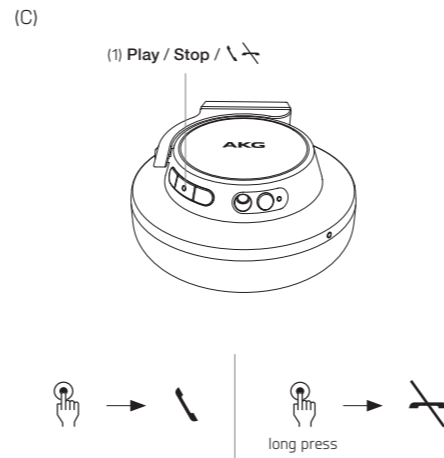
- Plug 3.5mm cable into 3.5mm audio in port. FIG (A)



- Press **Play / Stop / \** button (1) to play or stop music. Press **Volume up** (2) / **Volume down** (3) buttons to change volume. (FIG. B)

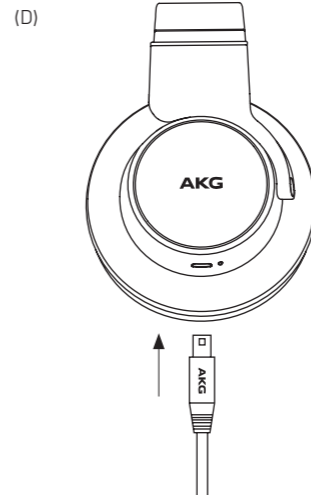


- When receiving a call, press **Play / Stop / \** button (1) to answer call. Long press the same button to reject call. FIG. (C)



## B CHARGING

- Plug USB charging cable into mini USB charging port at the left ear cup. FIG (D)



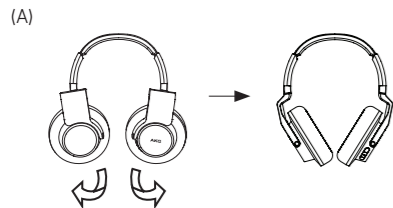
**AKG**  
by HARMAN



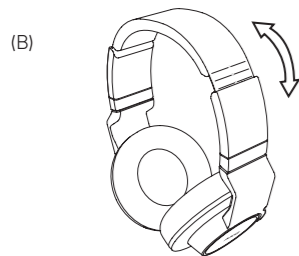
K845 BT  
QUICK START GUIDE

## 01 GET STARTED

- 1 Unfold headband earcup. FIG. (A)

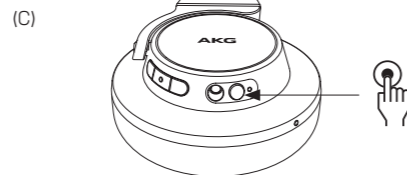


- 2 Slide headband to the right size to fit user's head. FIG. (B)

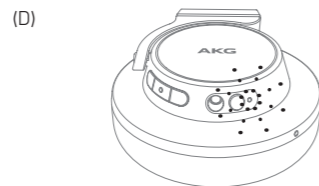


## 02 BLUETOOTH PAIRING

- 1 Press the **Bluetooth pairing button** to pair with Bluetooth playback device. FIG. (C)



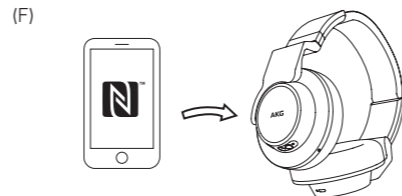
- 2 **Bluetooth pairing light** will flash. FIG. (D)



- 3 Turn on the Bluetooth function at your Bluetooth device to pair and connect **AKG K845...** FIG. (E)



...or put your NFC Bluetooth device on right earcup surface to pair and connect with Bluetooth. FIG. (F)



## 03 BLUETOOTH UNPAIRING

- 1 To unpair Bluetooth – long press **Bluetooth pairing button** until the Bluetooth light is off... FIG. (G)



...or turn off Bluetooth function at your Bluetooth device FIG. (H)



**AKG**  
by HARMAN

**HARMAN** © 2013 Harman International Industries, Incorporated. All Rights reserved. AKG is a trademark of AKG Acoustics GmbH, registered in the United States and/or other countries. The N Mark is a trademark or registered trademark of NFC Forum, Inc. in the United States and in other countries.

DESIGNED AND ENGINEERED IN AUSTRIA BY AKG.  
MADE AND PRINTED IN CHINA.

[www.akg.com](http://www.akg.com)