
OWNER'S MANUAL

ELECTRIC CHAIN HOIST ER2 and NER2 SERIES

1/8 Ton through 5 Ton Capacity

Code, Lot and Serial Number

▲ WARNING

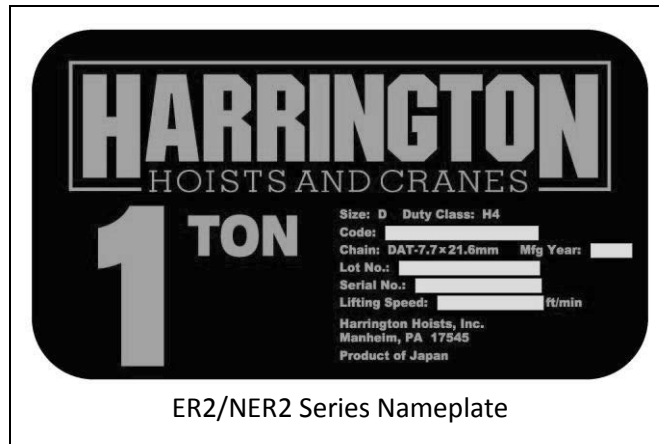
This equipment should not be installed, operated, or maintained by any person who has not read and understood all the contents of this manual. Failure to read and comply with the contents of this manual can result in serious bodily injury or death, and/or property damage.

HARRINGTON
HOISTS AND CRANES

9.0 Parts List

When ordering Parts, please provide the Hoist code number, lot number and serial number located on the Hoist nameplate (see fig. below).

Reminder: Per sections 1.1 and 3.7.4 to aid in ordering Parts and Product Support, record the Hoist code number, lot number and serial number in the space provided on the cover of this manual.



The parts list is arranged into the following sections:

Section	Page
9.1 Housing and Motor Parts.....	52
9.2 Gearing Parts.....	56
9.3 Hook and Chain Parts.....	60
9.4 Electric Parts (Single Speed).....	78
9.5 Electric Parts (Dual Speed).....	84
9.6 Power Supply and Pendant Parts.....	90

In the column "Parts Per Hoist" a designator is used for parts that apply only to a particular model or option. Refer to Section 2 for hoist model numbers and additional descriptions. The designators are:

S = Single Speed

D = Dual Speed

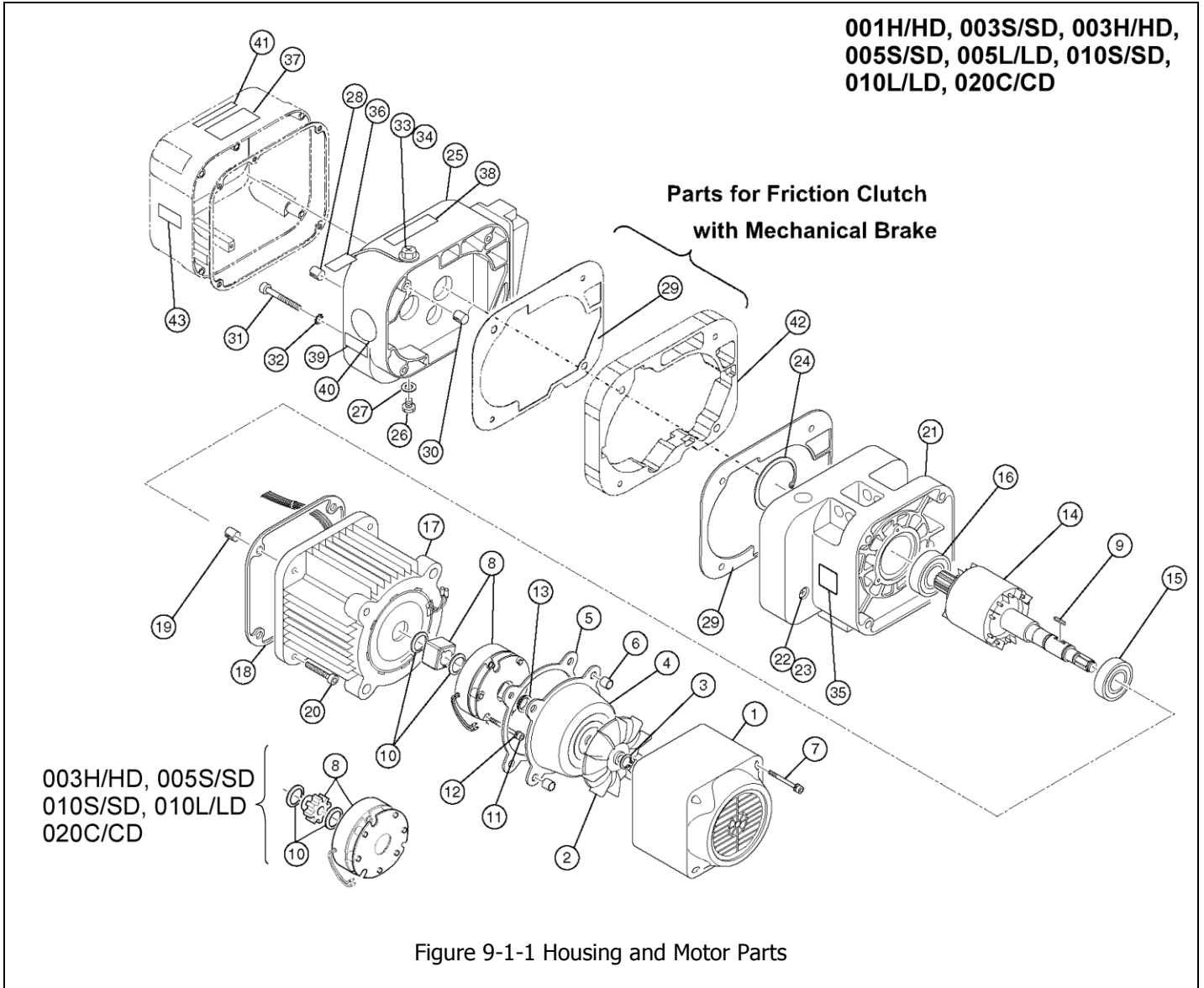
F = NER Models

M = ER Models

2V = 208/230 Volt Models

4V = 460 Volt Models

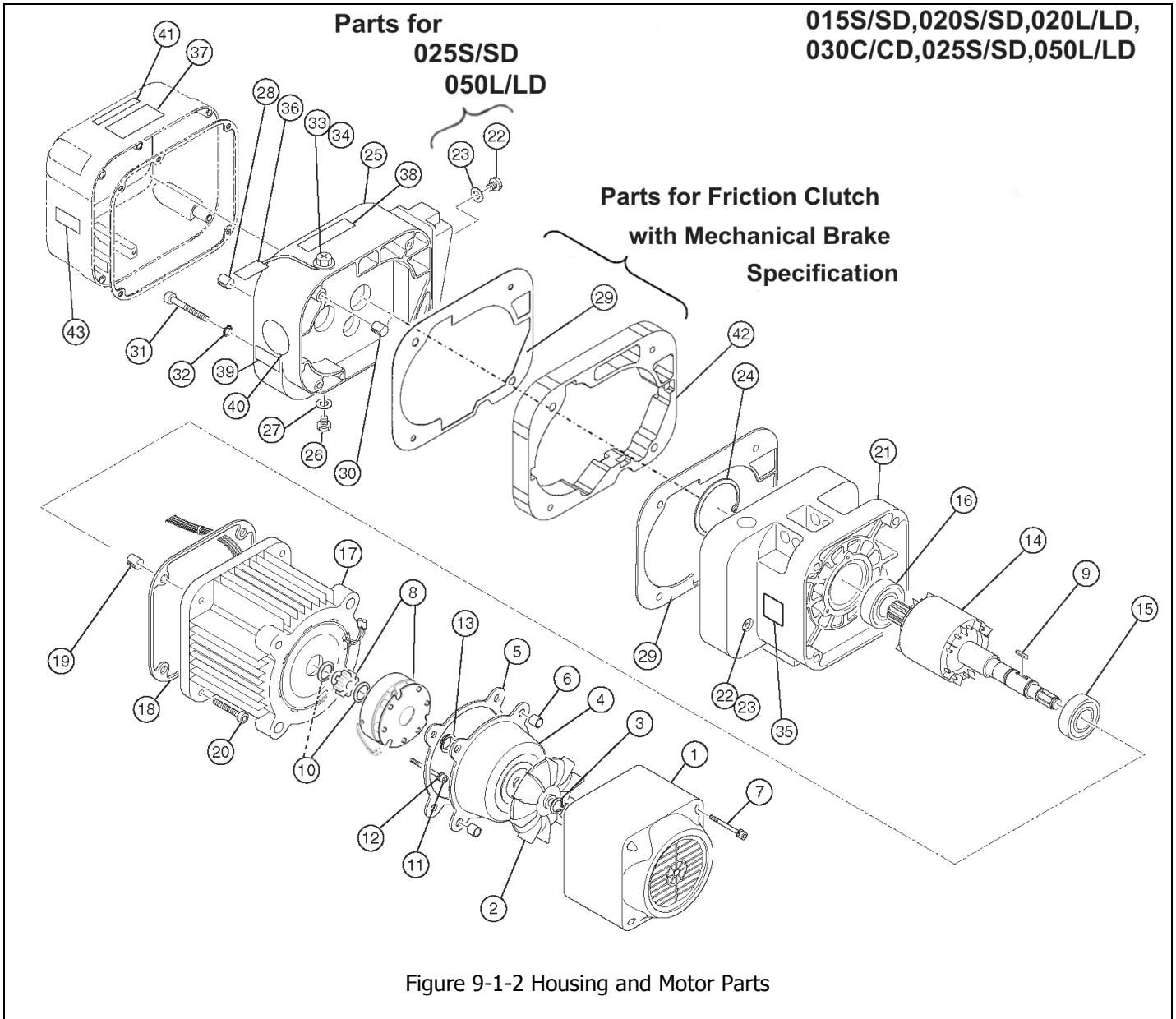
9.1 Housing and Motor Parts



9.1 Housing and Motor Parts

Figure No.	Part Name	Parts Per Hoist	001H	003S	003H	005S	005L	010S	010L	020C
1	Fan Cover	1	ER2BS9107		ER2CS9107		ER2CL9107	ER2DS9107		ER2CS9107
2	Fan	1	ER2BS9108		ER2CS9108		ER2CL9108	ER2DS9108		ER2CS9108
3	Snap Ring	1	9047113					9047116		9047113
4	Brake Cover	F	ER2BS9115	ER2CL9115	ER2CS9115	ER2CL9115	ER2DS9115	ER2DS9115	ER2DS9115	ER2CS9115
		M		ER2CL9149		ER2CL9149				ER2DL9149
5	Packing B	1	ER2BS9119		ER2CS9119		ER2CL9119	ER2DS9119		ER2CS9119
6	Set Pin S	2	ES120003							
7	Socket Bolt	4	9091234							
8	Electromagnetic Brake Assembly	1	MBABB0ENA		MBABB09NA		MBABB0ENA	MBABB18NA		MBABB09NA
9	Key B	1	ER2CL9360		ER2CS9360		ER2CL9360	ER2DS9360		ER2CS9360
10	Snap Ring	2	9047119		9047124		9047116		9047124	
11	Socket Bolt	3	9091254							
12	Spring Lock Washer	3	9012709							
13	V Ring	1	ER2CS9210					ER2DS9210		ER2CS9210
14	Motor Shaft With Rotor	1	ER2BS5502		ER2CS5502		ER2CL5502	ER2DS5502		ER2DL5502
15	Ball Bearing	1	9000904		9000905		9000904		9000905	
16	Ball Bearing	1	9001003		9000904				9000922	
17	Motor Frame With Stator	1	ER2BKV03S5A1		ER2BKV05S5A1		ER2BKV05L5A1	ER2BKV10S5A1		ER2BKV10L5A1
18	Packing M	1	ER2BS9118		ER2CS9118				ER2DS9118	
19	Set Pin S	2	ES120003		ES120010S				ER1DS9138	
20	Socket Bolt	4	9091252		9091275				9091296	
21	Body B Assembly	F	ER2BS6101		ER2CS6101				ER2DS6101	
	Body C Assembly	M	ER2BS6099		ER2CS6099				ER2DS6099	
22	Oil Plug	1	E3S111003							
23	Plug Packing	1	E3S112003							
24	Snap Ring	1	9047255		9047262				9047268	
25	Gear Case	F, S	ER2BS6103		ER2CS6103				ER2DS6103	
		F, D	ER2BI6103		ER2CS6102				ER2DS6102	
		M	ER2BS6102		ER2CS6102				ER2DS6102	
26	Oil Plug	1	E3S111003							
27	Plug Packing	1	E3S112003							
28	Spring Pin	1	9148128		E3S129005S					
29	Packing G	F	ER2BS9116	ER2CS9116			ER2DS9116			
		M								
30	Set Pin S	F	ES120003							
		M	ES120003							
			ES120003							
31	Socket Bolt	F	9091256							
		M	9091262							
32	Toothed Lock Washer	4	9679709							
33	Oil Fill Plug	1	ER1BS9135							
34	Eyebolt Packing	1	ES127005S							
35	Name Plate Load Side E	1	ER1BS9960							
36	Oil Full Tag	1	ER1BS9953							
37	Warning Sticker E (Disconnect Power)	1	ER2CS9936							
38	Name Plate OF (Correct Oil Required)	F	ER2CS9845							
	Name Plate OM (Correct Oil Required)	M	ER2CS9846							
39	Name Plate AA (With Mechanical Brake)	M	ER1BS9893							
40	Name Plate AD (Speed Letter)	1	ER1BH9868	ER1BS9868	ER1BH9868	ER1BS9868	ER1BL9868	ER1BS9868	ER1BL9868	ER1DR9868
41	Warning Sticker HW (Hot Surface)	D	ER2CI9806							
42	Spacer M	M	ER2BS9296	ER2CS9296			ER2DS9296			
43	Check Voltage Label	S,2V	ECP99NVVB							
		S,4V	ECP99NVVA							
		D,2V	ECP99NVWB							
		D,4V	ECP99NVWA							

9.1 Housing and Motor Parts



9.1 Housing and Motor Parts

Figure No.	Part Name	Parts Per Hoist	015S	020L	020S	030C	025S	050L
1	Fan Cover	1	ER2DS9107		ER2ES9107			
2	Fan	1	ER2DS9108		ER2ES9108			
3	Snap Ring	1	9047116		9047122			
4	Brake Cover	F	ER2DS9115		ER2ES9115			
		M	ER2EL9149					
5	Packing B	1	ER2DS9119		ER2ES9119			
6	Set Pin S	2	ES120003					
7	Socket Bolt	4	9091234		9091255			
8	Electromagnetic Brake Assembly	1	MBABB18NA		MBABB35NA			
9	Key B	1	ER2DS9360		ER2ES9360			
10	Snap Ring	1			9047130			
		2	9047124					
11	Socket Bolt	3	9091254		9091278			
12	Spring Lock Washer	3	9012709		9012711			
13	V Ring	1	ER2DS9210		ER2ES9210			
14	Motor Shaft With Rotor	1	ER2EL5502		ER2ES5502		ER2FS5502	
15	Ball Bearing	1	9000905		9000907			
16	Ball Bearing	1	9000906					
17	Motor Frame With Stator	1	ER2BKV20L5A1		ER2BKV20S5A1		ER2BKV25S5A1	
18	Packing M	1	ER2ES9118				ER2FS9118	
19	Set Pin S	2	ER2ES9138					
20	Socket Bolt	4	90912116					
21	Body B Assembly	F	ER2ES6101				ER2FS6101	
	Body C Assembly	M	ER2EL6099		ER2ES6099		ER2FS6099	
22	Oil Plug	1					E3S111003	
23	Plug Packing	1					E3S112003	
24	Snap Ring	1	9047280					
25	Gear Case	F	ER2EL6103		ER2ES6103		ER2FS6103	
		M	ER2EL6102		ER2ES6102		ER2FS6102	
26	Oil Plug	1	E3S111003					
27	Plug Packing	1	E3S112003					
28	Spring Pin	1	E3S129005S					
29	Packing G	F	ER2ES9116				ER2FS9116	
		M						
30	Set Pin S	F	ES120010S					
		M						
31	Socket Bolt	F	4 (5)	9091280	9091286	9091280	9091286	
		M	4 (5)	90912147			90912155	
32	Toothed Lock Washer	4 (5)	9679711					
33	Oil Fill Plug	1	ER1BS9135					
34	Eyebolt Packing	1	ES127005S					
35	Name Plate Load Side E	1	ER1BS9960					
36	Oil Full Tag	1	ER1BS9953					
37	Warning Sticker E (Disconnect Power)	1	ER2CS9936					
38	Name Plate OF (Correct Oil Required)	F	ER2CS9845					
	Name Plate OM (Correct Oil Required)	M	ER2CS9846					
39	Name Plate AA (With Mechanical Brake)	M	ER1BS9893					
40	Name Plate AD (Speed Letter)	1	ER1BS9868	ER1BL9868	ER1BS9868	ER1BC9868	ER1BS9868	ER1BL9868
41	Warning Sticker HW (Hot Surface)	D	ER2CI9806					
42	Spacer M	M	ER2EL9296		ER2ES9296		ER2FS9296	
43	Check Voltage Label	S,2V	ECP99NVVB					
		S,4V	ECP99NVVA					
		D,2V	ECP99NVWB					
		D,4V	ECP99NVWA					

*Quantities in "()" are for 025 and 050 hoists.

9.2 Gearing Parts

001H/HD, 003S/SD, 003H/HD,
005S/SD, 005L/LD, 010S/SD,
010L/LD, 020C/CD

Parts for Friction Clutch with Mechanical Brake Specification

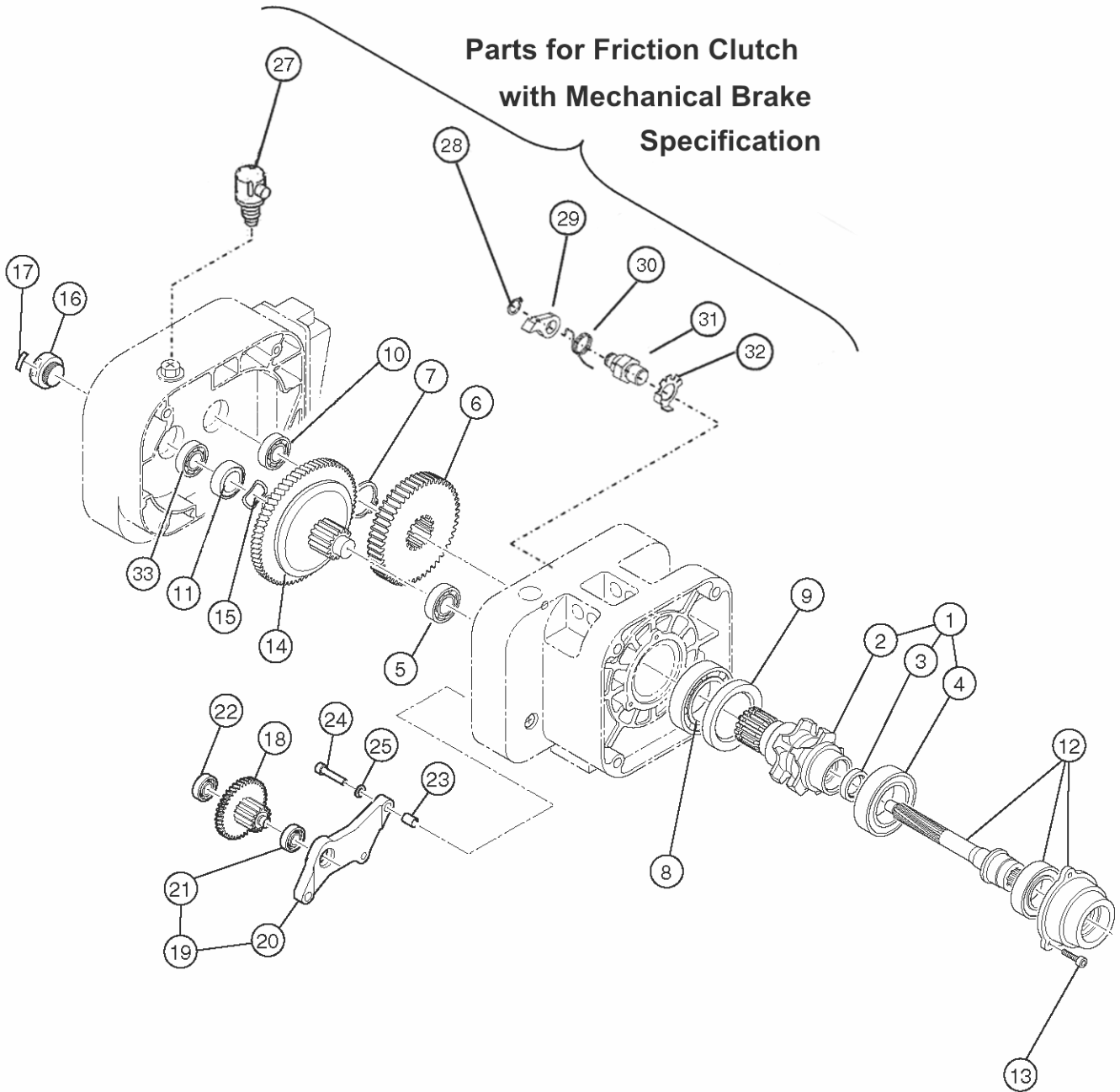


Figure 9-2-1 Gearing Parts

9.2 Gearing Parts

Figure No.	Part Name	Parts Per Hoist	001H	003S	003H	005S	005L	010S	010L/020C
1	Load Sheave Assembly	1	ER2BS6241		ER2CS6241		ER2DS6241		
2	Load Sheave	1	ER2BS9241		ER2CS9241		ER2DS9241		
3	Oil Seal	1	ER2BS9221		ER2CS9221		ES221010S		
4	Ball Bearing	1	9000506		9000508		9000509		
5	Ball Bearing	1	9000202		9000104		9000302	9000104	9000304
6	Load Gear	F	ER2BH9240	ER2BS9240	ER2CH9240	ER2CS9240	ER2CL9240	ER2DS9240	
		M					ER2CS9240		
7	Snap Ring	1	9047130		9047135				
8	Ball Bearing	1	9000106		9000107		9000108		
9	Oil Seal	1	ER2BS9244		ES232005S				
10	Ball Bearing	1	9000200		9000201				
11	Oil Seal	F	E6F235003S						
12	Pinion Assembly	F	ER2BS5220		ER2CS5220		ER2DS5220		
		M	ER2BS5304		ER2CS5304		ER2CS5304		
13	Socket Bolt	3	90912149						
14	Friction Clutch Complete Assembly	F	ER2BH1223	ER2BS1223	ER2CH1223	ER2CS1223	ER2CL1223	ER2DS1223	ER2DL1223
	Friction Clutch With Mechanical Brake Complete Assembly	M	ER2BH1274	ER2BS1274	ER2CH1274	ER2CS1274	ER2CL1274	ER2DS1274	ER2DL1274
15	Wave Washer	F	E1DBX20S9311						
16	Nut Cover	F	ER1CS9235						
17	Name Plate FP (Adjustment Of Friction Clutch Prohibited)	F	ER1BS9892						
18	Gear B Assembly	F							ER2DL5262
		M							ER2DL5306
19	Gear Holder Plate Assembly	F							ER2DL6261
		M							ER1CL6261
20	Gear Holder Plate	F							ER2DL9261
		M							ER1CL9261
21	Ball Bearing	F							9000101
		M							9000100
22	Ball Bearing	F							9000100
		M							9000100
23	Set Pin S	F							ES120003
		M							ES120003
24	Socket Bolt	F							9091252
		M							9091252
25	Spring Lock Washer	F							9012709
		M							9012709
27	Vent Cap	M	ER1BS1175						
28	Snap Ring	M	9047111						
29	Pawl	M	L4155015						
30	Pawl Spring	M	ER1BS9290						
31	Pawl Shaft	M	ER2CS9289						
32	Pawl Shaft Washer	M	ER2CS9294						
33	Ball Bearing	M	9000300		9000202				

9.2 Gearing Parts

015S/SD, 020S/SD, 020L/LD,
030C/CD, 025S/SD, 050L/LD

Parts for Friction Clutch with Mechanical Brake Specification

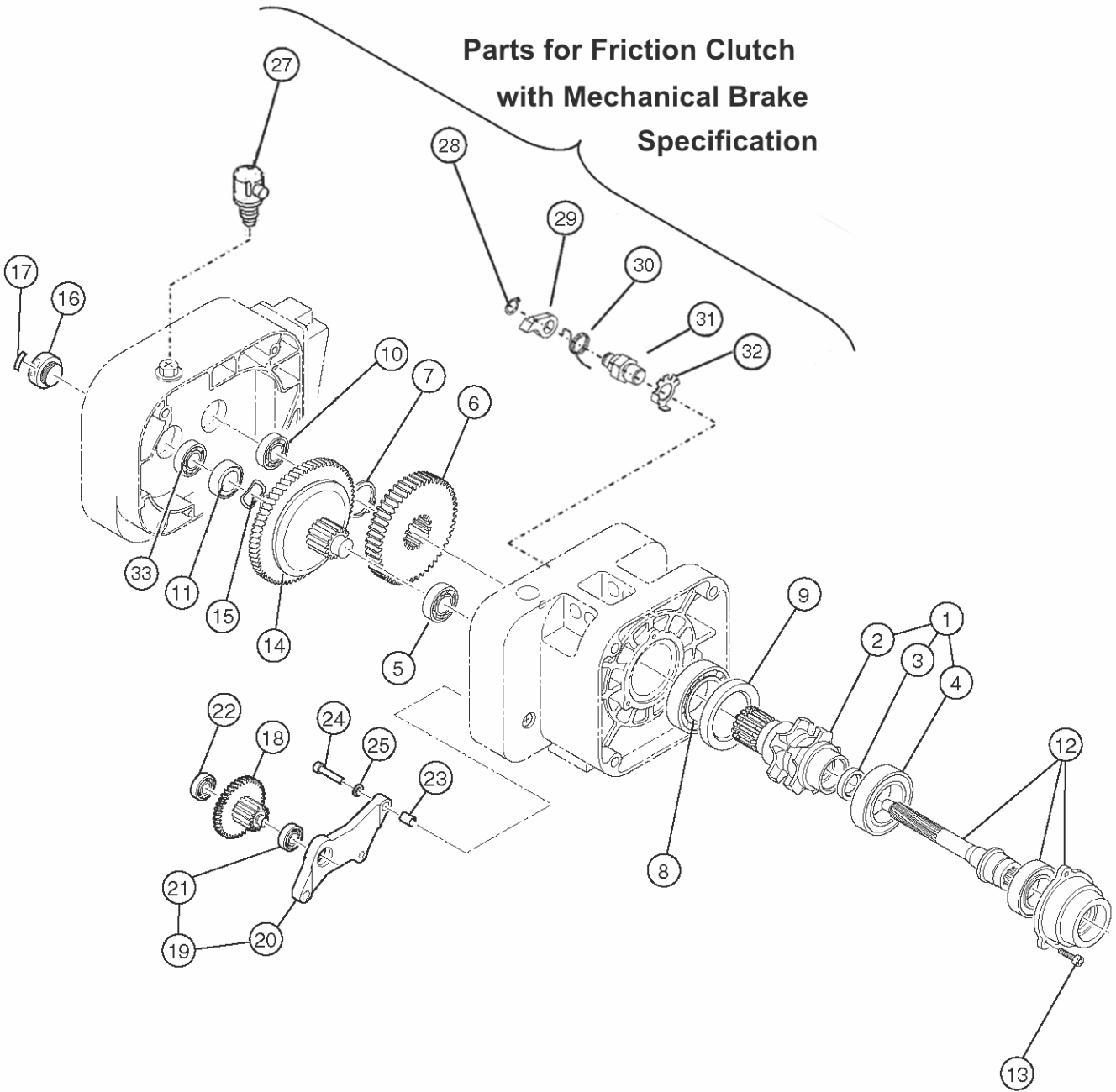
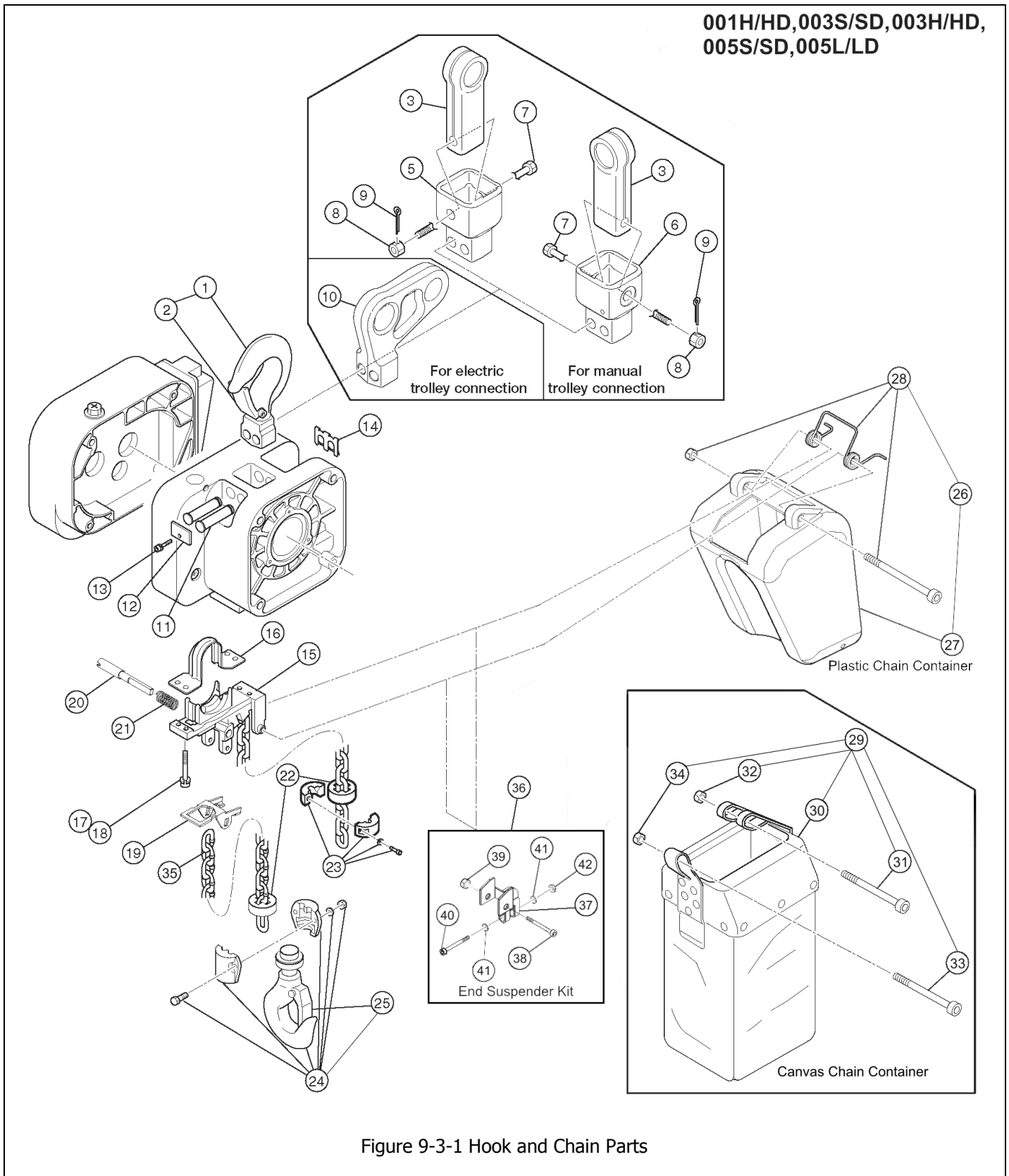


Figure 9-2-2 Gearing Parts

9.2 Gearing Parts

Figure No.	Part Name	Parts Per Hoist	015S	020L	020S	030C	025S	050L		
1	Load Sheave Assembly	1	ER2ES6241				ER2FS6241			
	2	Load Sheave	1	ER2ES9241				ER2FS9241		
	3	Oil Seal	1	ER2ES9221						
	4	Ball Bearing	1	9000609				9000610		
5	Ball Bearing	1	9000405							
6	Load Gear	1	ER2EM9240	ER2EL9240	ER2ES9240	ER2ER9240	ER2FS9240			
7	Snap Ring	1	9047150							
8	Ball Bearing	1	9000110							
9	Oil Seal	1	ER2ES9244							
10	Ball Bearing	1	9000303							
11	Oil Seal 22	F 1	ER1DS9233							
12	Pinion Assembly	F 1	ER2EL5220		ER2ES5220		ER2FS5220			
		M 1	ER2EL5304		ER2ES5304		ER2FS5304			
13	Socket Bolt	3	90912149							
14	Friction Clutch Complete Assembly	F 1	ER2EM1223	ER2EL1223	ER2ES1223	ER2ER1223	ER2FS1223	ER2FR1223		
	Friction Clutch With Mechanical Brake Complete Assembly	M 1	ER2EM1274	ER2EL1274	ER2ES1274	ER2ER1274	ER2FS1274	ER2FR1274		
15	Wave Washer	F 1	ER1DS9234			ER2ES9234				
16	Nut Cover	F 1	ER1DS9235			ER2ES9235				
17	Name Plate FP (Adjustment Of Friction Clutch Prohibited)	F 1	ER1BS9892							
18	Gear B Assembly	F 1	ER2EM5262	ER2EL5262				ER2FS5262		
		M 1	ER2EM5306	ER2EL5306				ER2FS5306		
19	Gear Holder Plate Assembly	1	ER2EL6261						ER2FS6261	
20	Gear Holder Plate	1	ER2EL9261						ER2FS9261	
21	Ball Bearing	1	9000202						9000203	
22	Ball Bearing	1	9000201						9000202	
23	Set Pin S	2	ES120010S						ES120010S	
24	Socket Bolt	3	9091275						9091275	
25	Spring Lock Washer	3	9012711						9012711	
27	Vent Cap	M 1	ER1BS1175							
28	Snap Ring	M 1	9047116							
29	Pawl	M 1	ER2FS9288							
30	Pawl Spring	M 1	ER2FS9290							
31	Pawl Shaft	M 1	ER2FS9289							
32	Pawl Shaft Washer	M 1	ER2CS9294							
33	Ball Bearing	M 1	9000303			9000304				

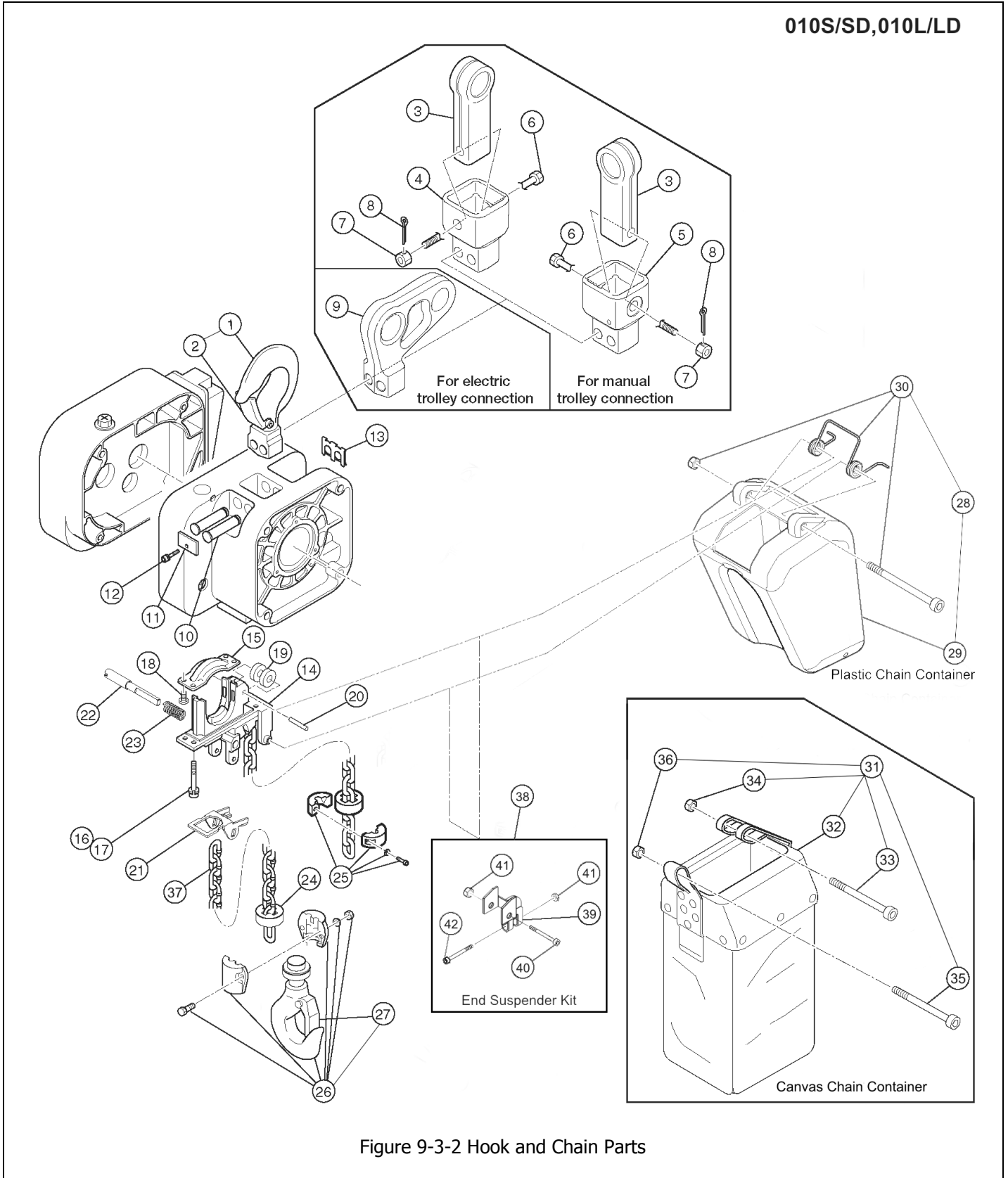
9.3 Hook and Chain Parts



9.3 Hook and Chain Parts

Figure No.	Part Name	Parts Per Hoist	001H	003S	003H	005S	005L
1	Top Hook Assembly	1	ER2CS1001				
2	Hook Latch	1	ER2CS1002				
3	Suspender E (For Manual Trolley)	1	T7GB004010				
5	Connection Yoke P (For Push Trolley)	1	ER2CS9027				
6	Connection Yoke G (For Geared Trolley)	1	ER2CS9029				
7	Yoke Bolt	1	ER1CS9032				
8	Slotted Nut	1	L3183008				
9	Split Pin	1	9009414-5				
10	Suspender T (For Motorized Trolley)	1	ER2DS9031				
11	Top Pin	2	ER2CS9121				
12	Plate A	1	ER2CS9123				
13	Socket Bolt With Spring Washer	1	J1BG10601212				
14	Shaft Clip	1	ER2CS9186				
15	Chain Guide A	1	ER2BS9331	ER2CS9331			
16	Chain Guide B	1	ER2BS9332	ER2CS9332			
17	Socket Bolt	4	9091251				
18	Spring Lock Washer	4	9012709				
19	Limit Lever	1	ER2BS9337	ER2CS9337			
20	Limit Lever Pin	1	ER2BS9338	ER2CS9338			
21	Limit Lever Spring	1	ER2CS9357				
22	Cushion Rubber	2	ER2BS9053	ER1CS9053			
23	Stopper Assembly	1	ES1045003	ER2CS1041			
24	Bottom Hook Complete Assembly	1	ER2BH1011	ER2BS1011	ER2CH1011	ER2CS1011	
25	Hook Latch	1	ER2CS1002				
26	Plastic Chain Container Assembly (Max. Lifting Height 20ft)	1	PBK2-B		PBK2-C		
27	Plastic Chain Container	1	ER2BS1401		ER2CS1401		
28	Plastic Container Spring Assembly	1	ER2BS1416		ER2CS1416		
29	Canvas Chain Container Assembly (Max. Lift Height 50ft)	1	BK2C1		BK2C2		
30	Canvas Chain Container	1	ER2CS5403		ER2CS5405		
31	Socket Bolt	1	9091283				
32	Lever Nut	1	ES857005S				
33	Socket Bolt	1	ER419001				
34	Lever Nut	1	ES855003				
35	NP Load Chain	1	LCER2003NP		LCER2005NP		
36	End Suspender Kit	1	ENDS2B		ENDS2C		
37	End Suspender	1	ER2BS9408		ER2CS9408		
38	Socket Bolt	1	9091281		9091283		
39	Lever Nut	1	ES857005S				
40	Socket Bolt	1	90912150		90912151		
41	Flat Washer	2	9012510		9012511		
42	Lever Nut	1	E2D853125		ES855003		

9.3 Hook and Chain Parts



9.3 Hook and Chain Parts

Figure No.	Part Name	Parts Per Hoist	010S	010L
1	Top Hook Assembly	1	ER2DS1001	
2	Hook Latch	1	ER2DS1002	
3	Suspender E (For Manual Trolley)	1	T7GB004010	
4	Connection Yoke P (For Push Trolley)	1	ER2CS9027	
5	Connection Yoke G (For Geared Trolley)	1	ER2CS9029	
6	Yoke Bolt	1	ER1CS9032	
7	Slotted Nut	1	L3183008	
8	Split Pin	1	9009414-5	
9	Suspender T (For Motorized Trolley)	1	ER2DS9031	
10	Top Pin	2	ER2CS9121	
11	Plate A	1	ER2CS9123	
12	Socket Bolt With Spring Washer	1	J1BG10601212	
13	Shaft Clip	1	ER2CS9186	
14	Chain Guide A	1	ER2DS9331	
15	Chain Guide B	1	ER2DS9332	
16	Socket Bolt	4	9091274	
17	Spring Lock Washer	4	9012711	
18	Machine Screw With Spring Washer	4	M6F554010	
19	Guide Roller	1	ER2DS9333	
20	Roller Pin	1	ER1CS9334	
21	Limit Lever	1	ER2DS9337	
22	Limit Lever Pin	1	ER2DS9338	
23	Limit Lever Spring	1	ER2CS9357	
24	Cushion Rubber	2	ER1DS9053	
25	Stopper Assembly	1	ER1DS1041	
26	Bottom Hook Complete Assembly	1	ER2DS1011	
27	Hook Latch	1	ER2DS1002	
28	Plastic Chain Container Assembly (Max. Lifting Height 20ft)	1	PBK2-D	
29	Plastic Chain Container	1	ER2DS1401	
30	Plastic Container Spring Assembly	1	ER2DS1416	
31	Canvas Chain Container Assembly (Max. Lifting Height 50ft)	1	BK2D2	
32	Canvas Chain Container	1	ER2DS5405	
33	Socket Bolt	1	9091286	
34	Lever Nut	1	ES857005S	
35	Socket Bolt	1	ER419001	
36	Lever Nut	1	ES855003	
37	NP Load Chain	1	LCER2010NP	
38	End Suspender Kit	1	ENDS2D	
39	End Suspender	1	ER2CS9408	
40	Socket Bolt	1	90912153	
41	Lever Nut	2	ES857005S	
42	Socket Bolt	1	90912152	

9.3 Hook and Chain Parts

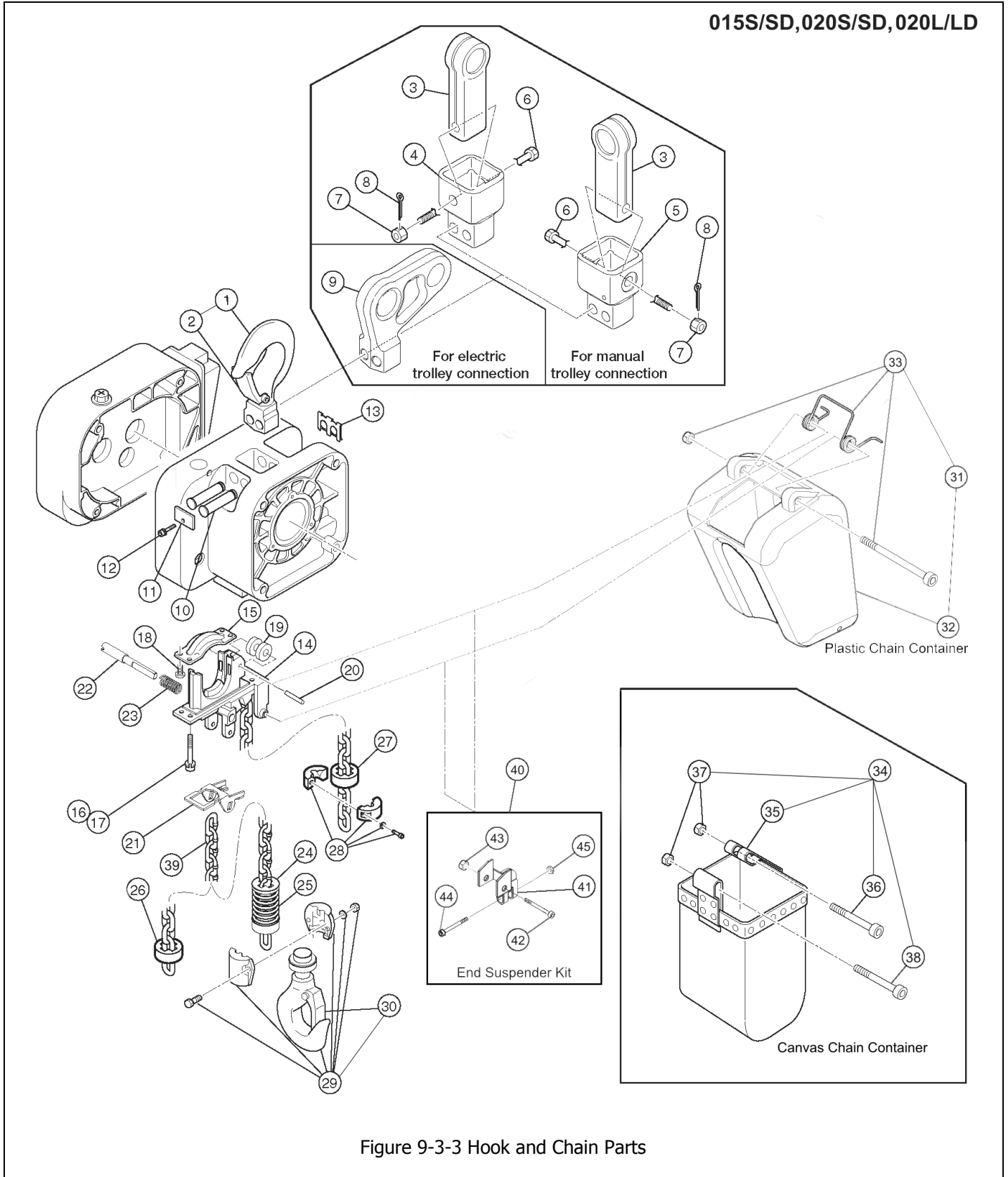


Figure 9-3-3 Hook and Chain Parts

9.3 Hook and Chain Parts

Figure No.	Part Name	Parts Per Hoist	015S	020S	020L
1	Top Hook Assembly	1		ER2ES1001	
2	Hook Latch	1		ER2ES1002	
3	Suspender E (For Manual Trolley)	1		T7GB004020	
4	Connection Yoke P (For Push Trolley)	1		ER2ES9027	
5	Connection Yoke G (For Geared Trolley)	1		ER2ES9029	
6	Yoke Bolt	1		ER1ES9032	
7	Slotted Nut	1		ES088020L	
8	Split Pin	1		9009436	
9	Suspender T	1		ER2ES9031	
10	Top Pin	2		ER2ES9121	
11	Plate A	1		ER2ES9123	
12	Socket Bolt With Spring Washer	1		J1BG10601212	
13	Shaft Clip	1		ER2ES9186	
14	Chain Guide A	1		ER2ES9331	
15	Chain Guide B	1		ER2ES9332	
16	Socket Bolt	4		9091274	
17	Spring Lock Washer	4		9012711	
18	Machine Screw With Spring Washer	4		E6F151003	
19	Guide Roller	1		ER1DL9333	
20	Roller Pin	1		ER1DL9334	
21	Limit Lever	1		ER2ES9337	
22	Limit Lever Pin	1	ER2EL9338	ER2ES9338	ER2EL9338
23	Limit Lever Spring	1		ER2CS9357	
24	Limiting Plate	1		ER1ES9054	
25	Chain Spring	1		ER1DL9051	ES047015
26	Cushion Rubber	1	ER1ES9053		
27	Cushion Rubber	1		ER1ES9053	
28	Stopper Assembly	1		ER1ES1041	
29	Bottom Hook Complete Assembly	1	ER2EM1011	ER2ES1011	
30	Hook Latch	1	ER2EM1002	ER2ES1002	
31	Plastic Chain Container Assembly (Max. Lifting Height 13ft)	1		PBK2-E	
32	Plastic Chain Container	1		ER2ES1401	
33	Plastic Container Spring Assembly	1		ER2ES1416	
34	Canvas Chain Container Assembly (Max. Lifting Height 60ft)	1		BK2E2	
35	Canvas Chain Container	1		ER2ES5405	
36	Socket Bolt	1		90912107	
37	Lever Nut	2		ES066075	
38	Socket Bolt	1		90912104	
39	NP Load Chain	1		LCER2020NP	
40	End Suspender Kit	1		ENDS2E	
41	End Suspender	1		ER2ES9408	
42	Socket Bolt	1		90912107	
43	Lever Nut	1		ES066075	
44	Socket Bolt	1		90912152	
45	Lever Nut	1		ES857005S	

9.3 Hook and Chain Parts

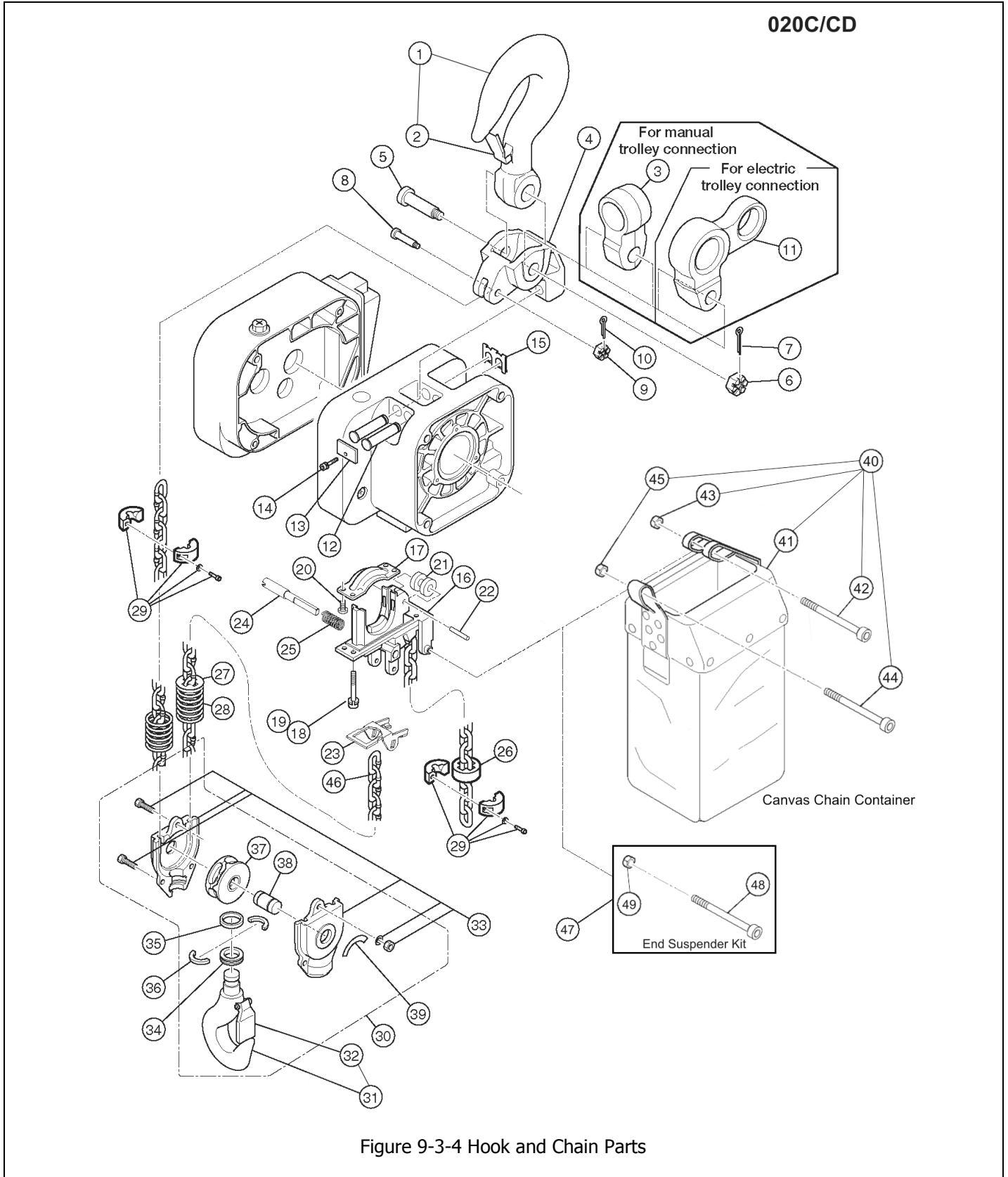
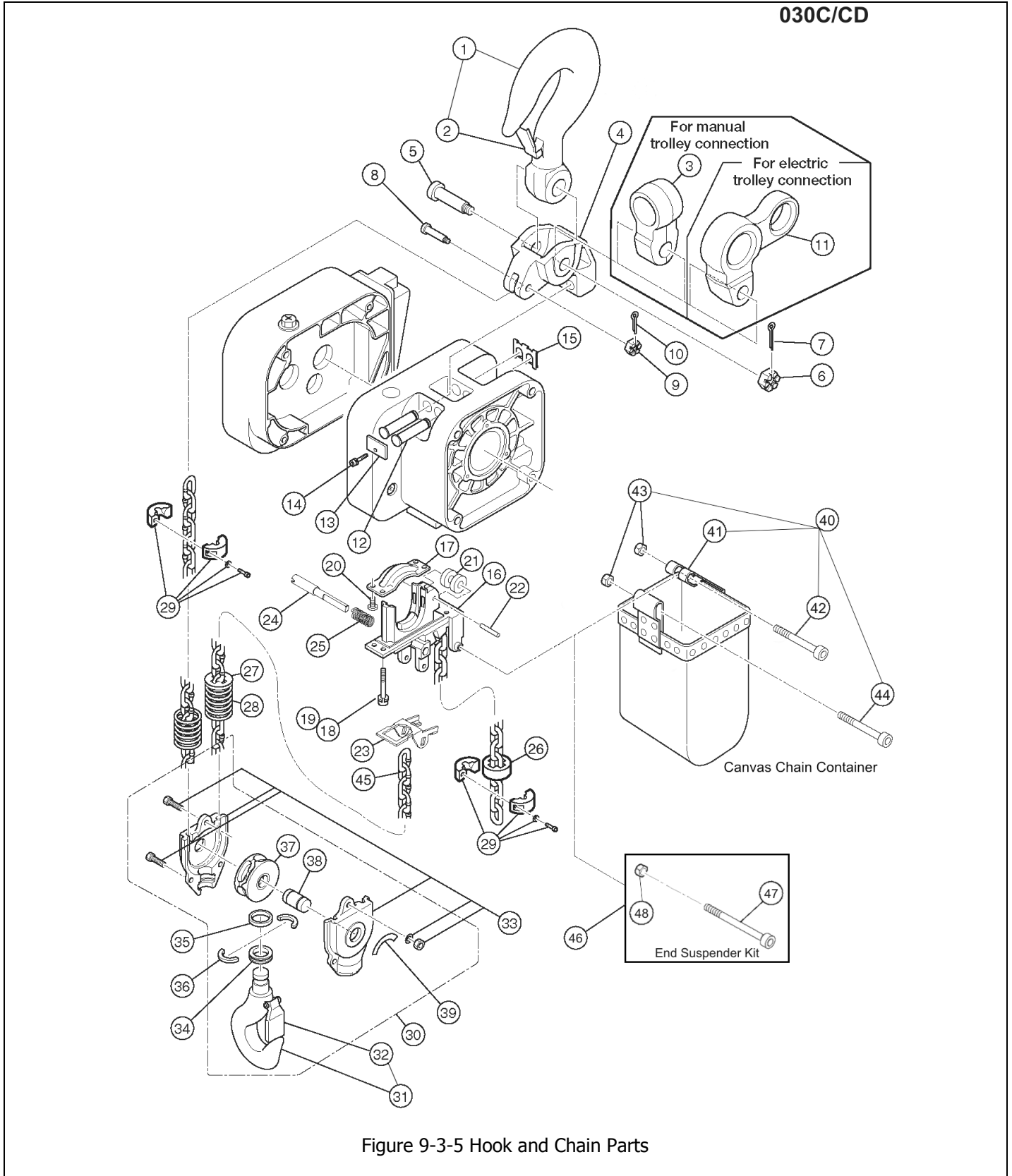


Figure 9-3-4 Hook and Chain Parts

9.3 Hook and Chain Parts

Figure No.	Part Name	Parts Per Hoist	020C
1	Top Hook Assembly	1	ER2DR1001
2	Hook Latch	1	ER2DS1002
3	Suspender E (For Manual Trolley)	1	T7GB004020
4	Connection Yoke D	1	ER2DR9030
5	Yoke Bolt	1	ER1ES9032
6	Slotted Nut	1	ES088020
7	Split Pin	1	9009436
8	Chain Pin	1	M2041010
9	Slotted Nut	1	M2049010
10	Split Pin	1	9009412
11	Suspender T (For Motorized Trolley)	1	ER2DR9031
12	Top Pin	2	ER2CS9121
13	Plate A	1	ER2CS9123
14	Socket Bolt With Spring Washer	1	J1BG10601212
15	Shaft Clip	1	ER2CS9186
16	Chain Guide A	1	ER2DS9331
17	Chain Guide B	1	ER2ES9332
18	Socket Bolt	4	9091274
19	Spring Lock Washer	4	9012711
20	Machine Screw With Spring Washer	4	E6F151003
21	Guide Roller	1	ER1DS9333
22	Roller Pin	1	ER1DL9334
23	Limit Lever	1	ER2DS9337
24	Limit Lever Pin	1	ER2DS9338
25	Limit Lever Spring	1	ER2CS9357
26	Cushion Rubber	2	ER1DS9053
27	Limiting Plate	1	ER2DR9054
28	Chain Spring	2	ER1DS9051
29	Stopper Assembly	2	ER1DS1041
30	Bottom Hook Complete Assembly	1	ER2DR1011
31	Bottom Hook Assembly	1	ER2DR2011
32	Hook Latch	1	ER2DS1002
33	Bottom Yoke Assembly	1	ER2DR2015
34	Thrust Bearing	1	ES022015
35	Thrust Collar A	1	ES026015
36	Hook Stopper A	2	ES027015
37	Idle Sheave Assembly	1	ER2DR6021
38	Bottom Shaft Assembly	1	ER2DR6023
39	Name Plate C	1	80173
40	Canvas Chain Container Assembly (Max. Lifting Height 26ft)	1	BK2D2
41	Canvas Chain Container	1	ER2DS5405
42	Socket Bolt	1	9091286
43	Lever Nut	1	ES857005S
44	Socket Bolt	1	ER419001
45	Lever Nut	1	ES855003
46	NP Load Chain	1	LCER2010NP
47	End Suspender Kit	1	ENDS2D2
48	Socket Bolt	1	90912153
49	Lever Nut	1	ES857005S

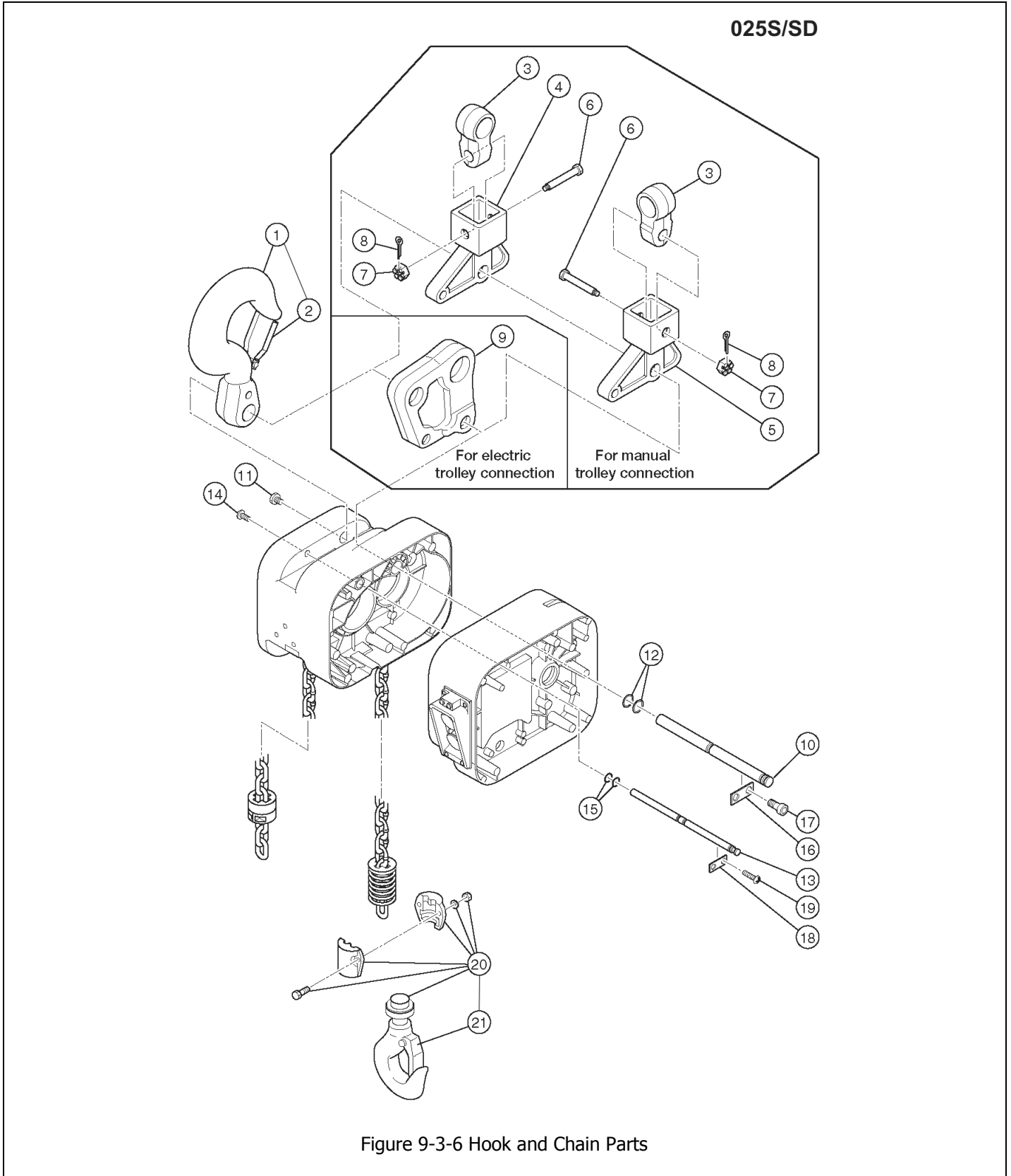
9.3 Hook and Chain Parts



9.3 Hook and Chain Parts

Figure No.	Part Name	Parts Per Hoist	030C
1	Top Hook Assembly	1	ER2ER1001
2	Hook Latch	1	ER2ER1002
3	Suspender E (For Manual Trolley)	1	T7GB004030
4	Connection Yoke D	1	ER2ER9030
5	Yoke Bolt	1	ER1ES9032
6	Slotted Nut	1	L3183008
7	Split Pin	1	9009436
8	Chain Pin	1	ES041030
9	Slotted Nut	1	M2049020
10	Split Pin	1	9009416
11	Suspender T (For Motorized Trolley)	1	ER2ER9031
12	Top Pin	2	ER2ES9121
13	Plate A	1	ER2ES9123
14	Socket Bolt With Spring Washer	1	J1BG10601212
15	Shaft Clip	1	ER2ES9186
16	Chain Guide A	1	ER2ES9331
17	Chain Guide B	1	ER2ES9332
18	Socket Bolt	4	9091274
19	Spring Lock Washer	4	9012711
20	Machine Screw With Spring Washer	4	E6F151003
21	Guide Roller	1	ER1DL9333
22	Roller Pin	1	ER1DL9334
23	Limit Lever	1	ER2ES9337
24	Limit Lever Pin	1	ER2ES9338
25	Limit Lever Spring	1	ER2CS9357
26	Cushion Rubber	1	ER1EM9053
27	Limiting Plate	1	ER1ES9054
28	Chain Spring	2	ES047015
29	Stopper Assembly	2	ER1ES1041
30	Bottom Hook Complete Assembly	1	ER2ER1011
31	Bottom Hook Assembly	1	ER2ER2011
32	Hook Latch	1	ER2ER1002
33	Bottom Yoke Assembly	1	ER2ER2015
34	Thrust Bearing	1	ES022025
35	Thrust Collar A	1	ES026025
36	Hook Stopper A	2	ES027025
37	Idle Sheave Assembly	1	ER2ER6021
38	Bottom Shaft Assembly	1	ER2ER6023
39	Name Plate C	1	80173
40	Canvas Chain Container Assembly (Max. Lifting Height 20ft)	1	BK2E1
41	Canvas Chain Container	1	ER2ES5403
42	Socket Bolt	1	90912107
43	Lever Nut	2	ES066075
44	Socket Bolt	1	90912104
45	NP Load Chain	1	LCER2020NP
46	End Suspender Kit	1	ENDS2E2
47	Socket Bolt	1	90912107
48	Lever Nut	1	ES066075

9.3 Hook and Chain Parts



9.3 Hook and Chain Parts

Figure No.	Part Name	Parts Per Hoist	025S
1	Top Hook Complete Assembly	1	ER2FS1001
2	Hook Latch	1	ER2FS1002
3	Suspender E (For Manual Trolley)	1	T7GB004030
4	Connection Yoke P (For Push Trolley)	1	ER2FS9027
5	Connection Yoke G (Geared Trolley)	1	ER2FS9029
6	Yoke Bolt	1	ER2FS9032
7	Slotted Nut	1	ES088020L
8	Split Pin	1	9009436
9	Suspender T (For Motorized Trolley)	1	ER2FS9031
10	Connection Shaft Assembly	1	ER2FS6121
11	Shaft Plug	1	ER2FS9128
12	O Ring	2	9013317
13	Fixing Shaft Assembly	1	ER2FS6122
14	Fixing Shaft Plug	1	ER2FS9131
15	O Ring	2	9013307
16	Connection Shaft Plate A	1	ER1ES9123
17	Socket Bolt With Spring Washer	2	J1BG10601616
18	Fixing Shaft Plate A	1	ER1BS9123
19	Machine Screw With Spring Washer	2	M6F554010
20	Bottom Hook Complete Assembly	1	ER2FS1011
21	Hook Latch	1	ER2ES1002

9.3 Hook and Chain Parts

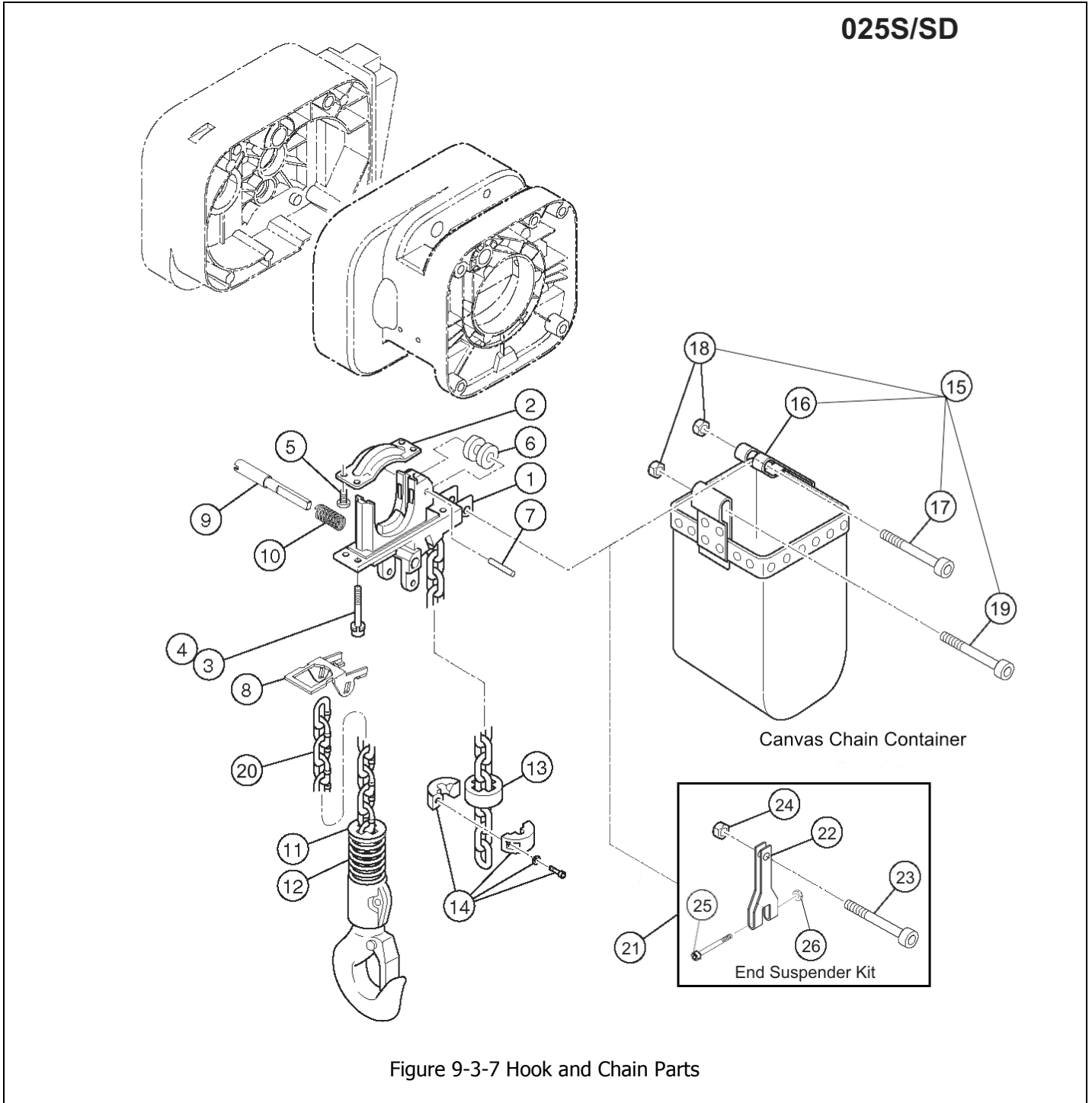


Figure 9-3-7 Hook and Chain Parts

9.3 Hook and Chain Parts

Figure No.	Part Name	Parts Per Hoist	025S
1	Chain Guide A	1	ER2FS9331
2	Chain Guide B	1	ER2FS9332
3	Socket Bolt	4	9091274
4	Spring Lock Washer	4	9012711
5	Machine Screw With Spring Washer	4	E6F151003
6	Guide Roller	1	ER1EM9333
7	Roller Pin	1	ER2FS9334
8	Limit Lever	1	ER2FS9337
9	Limit Lever Pin	1	ER2FS9338
10	Limit Lever Spring	1	ER2CS9357
11	Limiting Plate	1	ER1FH9054
12	Chain Spring	1	ER1EM9051
13	Cushion Rubber	1	ER1EM9053
14	Stopper Assembly	1	ER1ES1041
15	Canvas Chain Container Assembly (Max. Lifting Height 40ft)	1	BK2F2
16	Canvas Chain Container	1	ER2FS5405
17	Socket Bolt	1	90912140
18	Lever Nut	2	ES066075
19	Socket Bolt	1	90912104
20	NP Load Chain	1	LCER2025NP
21	End Suspender Kit	1	ENDS2F
22	End Suspender	1	ER1ES9408
23	Socket Bolt	1	90912101
24	Lever Nut	1	ES066075
25	Socket Bolt	1	90912140
26	Lever Nut	1	ES066075

9.3 Hook and Chain Parts

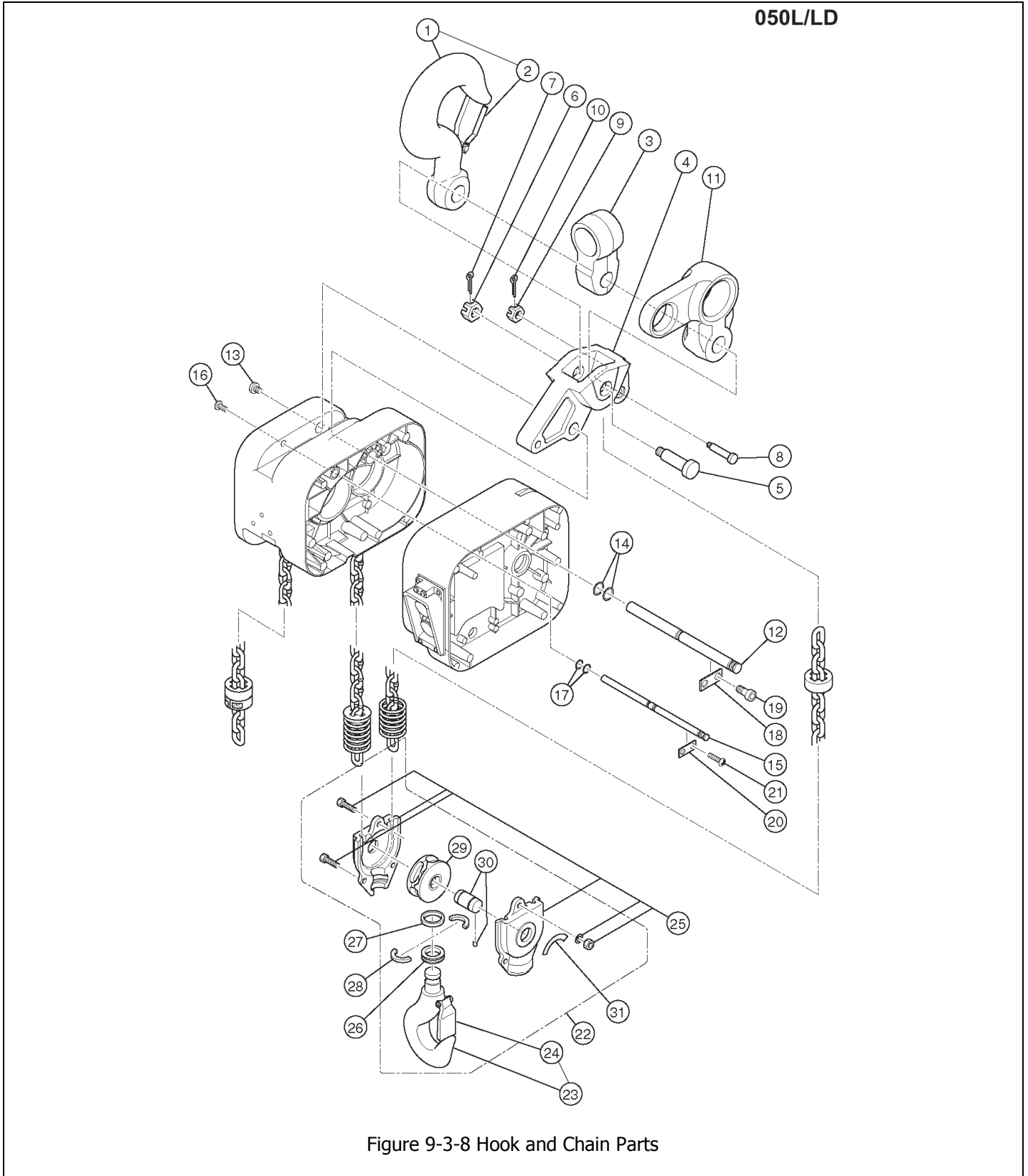
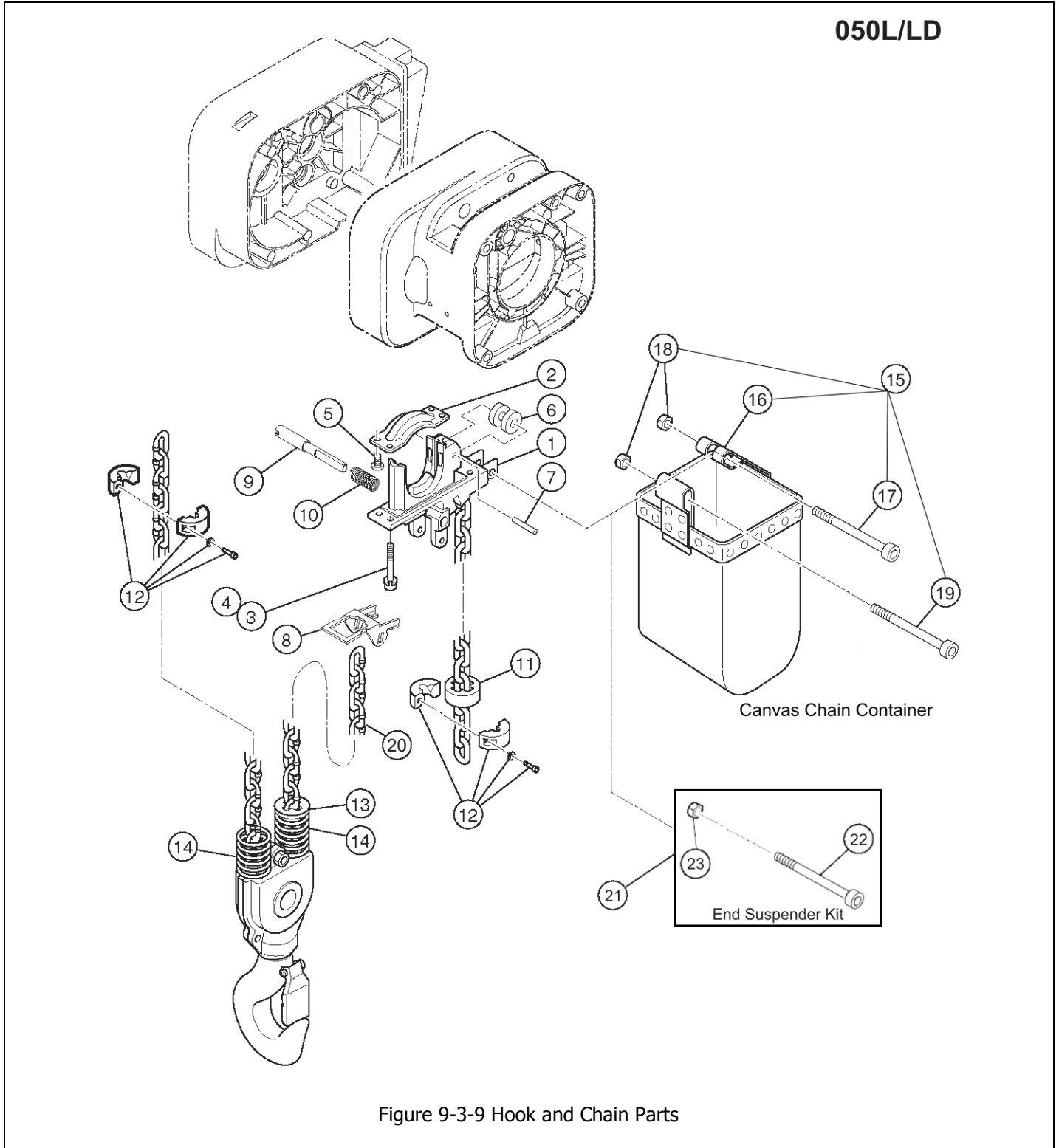


Figure 9-3-8 Hook and Chain Parts

9.3 Hook and Chain Parts

Figure No.	Part Name	Parts Per Hoist	050L
1	Top Hook Assembly	1	ER2FR1001
2	Hook Latch	1	ER2FR9002
3	Suspender G (For Manual Trolley)	1	MR1GS9001
4	Connection Yoke D	1	ER2FR9030
5	Yoke Bolt	1	ES006050
6	Slotted Nut	1	J1NL00120200
7	Split Pin	1	9009437
8	Chain Pin	1	ES041050
9	Slotted Nut	1	M2049030
10	Split Pin	1	9009424
11	Suspender T (For Motorized Trolley)	1	ER1FR9031
12	Top Pin Assembly	1	ER2FS6121
13	Top Pin Plug Assembly	1	ER2FS6128
14	O Ring	2	9013317
15	Fixing Shaft Assembly	1	ER2FS6122
16	Fixing Shaft Plug Assembly	1	ER2FS6131
17	O Ring	2	9013307
18	Plate A	1	ER1ES9123
19	Socket Bolt With Spring Washer	2	J1BG10601616
20	Plate A	1	ER1BS9123
21	Machine Screw With Spring Washer	2	M6F554010
22	Bottom Hook Complete Assembly	1	ER2FR1011
23	Bottom Hook Assembly	1	ER2FR2011
24	Hook Latch	1	ER2FR9002
25	Bottom Yoke Assembly	1	ER2FR2015
26	Thrust Bearing	1	ES022050
27	Thrust Collar A	1	ES026050
28	Hook Stopper A	2	ES027050
29	Idle Sheave Assembly	1	ER2FR6021
30	Bottom Shaft Assembly	1	ES5054050
31	Name Plate C	1	80173

9.3 Hook and Chain Parts



9.3 Hook and Chain Parts

Figure No.	Part Name	Parts Per Hoist	050L
1	Chain Guide A	1	ER2FS9331
2	Chain Guide B	1	ER2FS9332
3	Socket Bolt	4	9091274
4	Spring Lock Washer	4	9012711
5	Machine Screw With Spring Washer	4	E6F151003
6	Guide Roller	1	ER1EM9333
7	Roller Pin	1	ER2FS9334
8	Limit Lever	1	ER2FS9337
9	Limit Lever Pin	1	ER2FS9338
10	Limit Lever Spring	1	ER2CS9357
11	Cushion Rubber	1	ER1EM9053
12	Stopper Assembly	2	ER1ES1041
13	Limiting Plate	1	ER1FH9054
14	Chain Spring	2	ER1EM9051
15	Canvas Chain Container Assembly (Max. Lifting Height 20ft)	1	BK2F2
16	Canvas Chain Container	1	ER2FS5405
17	Socket Bolt	1	90912140
18	Lever Nut	2	ES066075
19	Socket Bolt	1	90912104
20	NP Load Chain	1	LCER2025NP
21	End Suspender Kit	1	ENDS2F2
22	Socket Bolt	1	90912140
23	Lever Nut	1	ES066075

9.4 Electric Parts (Single Speed)

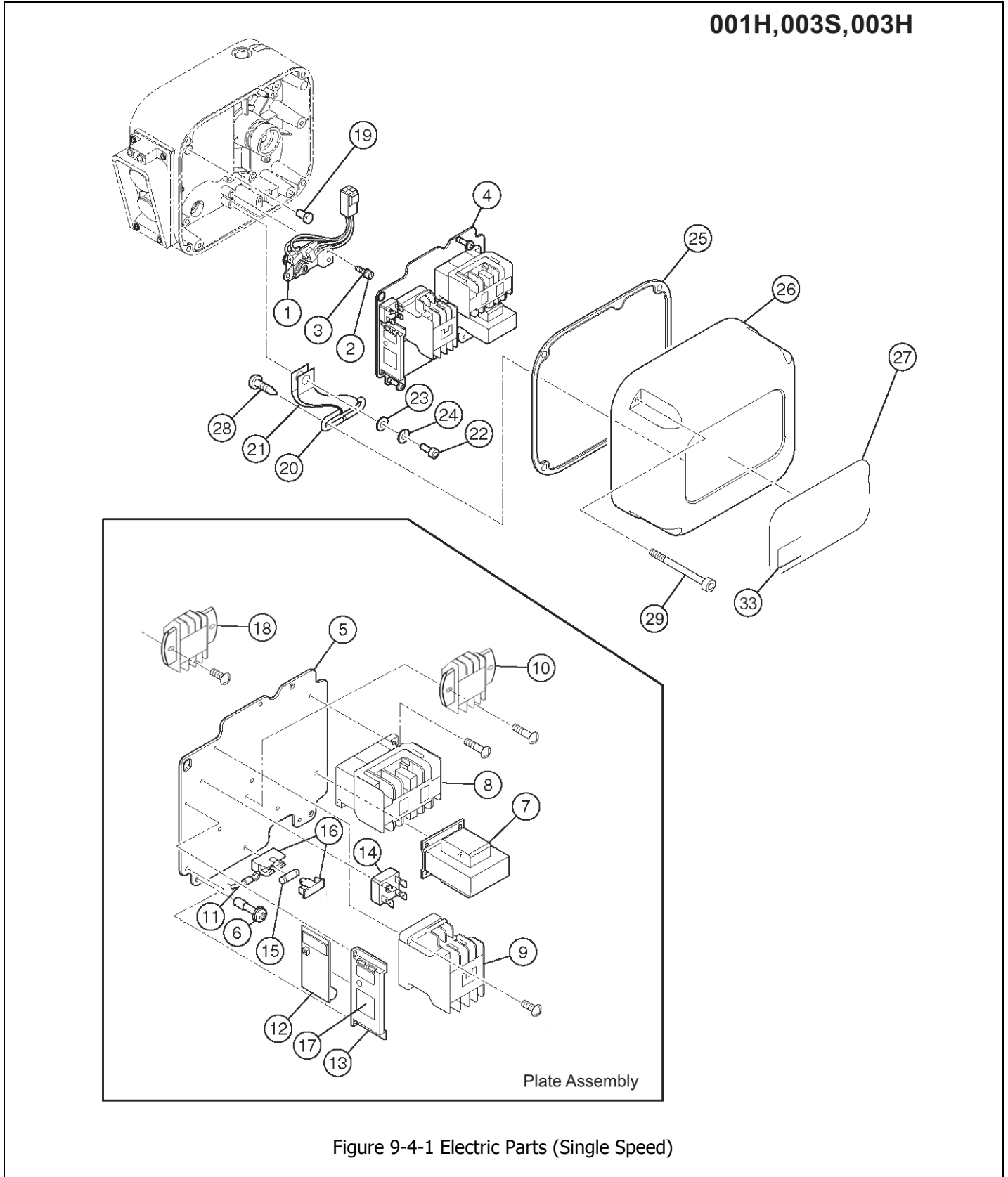


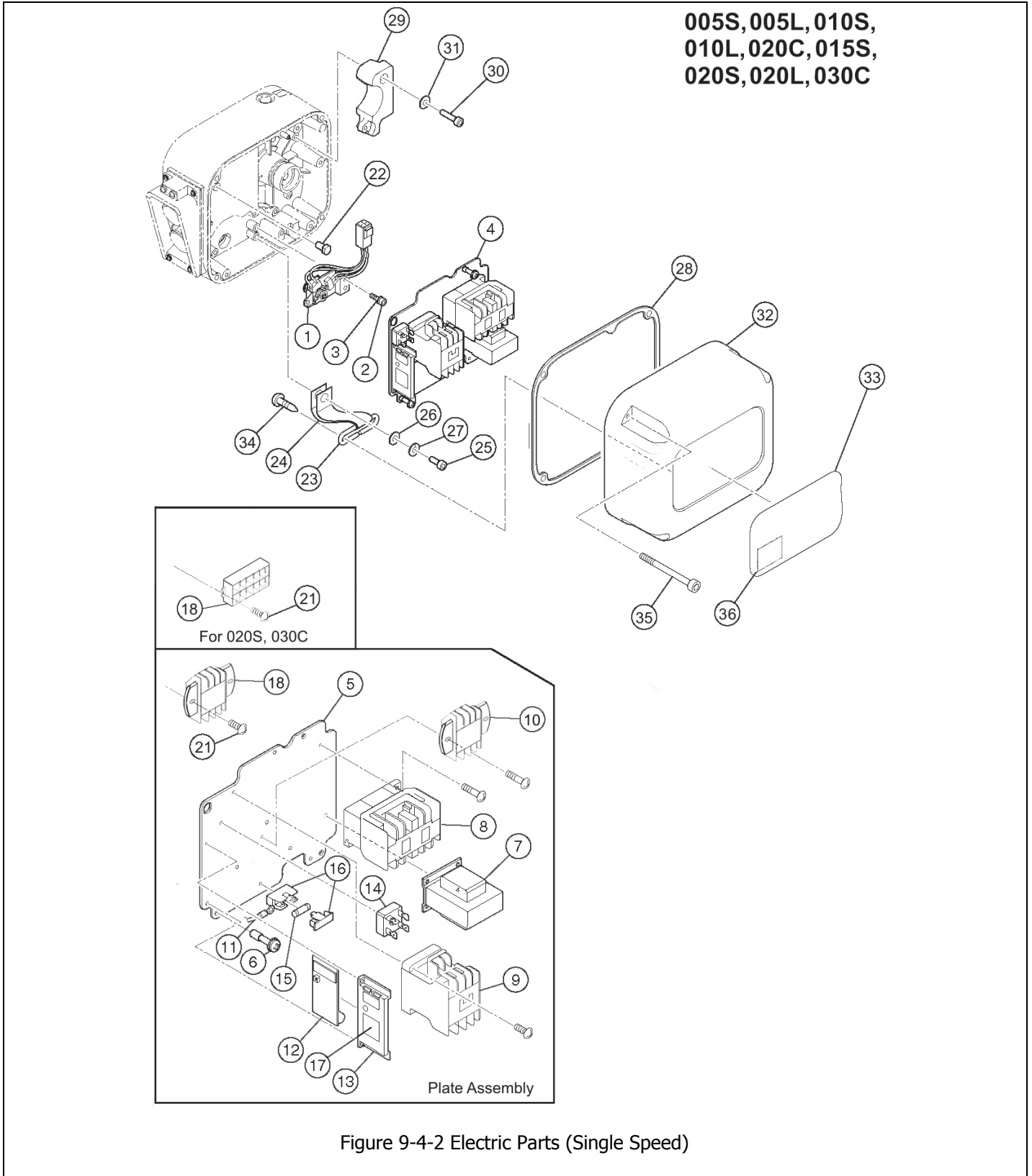
Figure 9-4-1 Electric Parts (Single Speed)

9.4 Electric Parts (Single Speed)

Figure No.	Part Name	Parts Per Hoist	001H	003S	003H
1	Limit Switch Complete Assembly	1	ER2CI1060		
2	Socket Bolt	3	9091247		
3	Spring Lock Washer	3	9012709		
4	Plate Assembly	1	ER2GHM03S5A2	ER2GHM05S5A2	
5	Plate	1	ER2BS9441	ER2CS9441	
6	Plate Screw	3	ER1BS9445		
7	Transformer	1	TRF72V611	TRF73V611	
8	Electromagnetic Contactor	1	MGC23406C	MGC23406A	
9	E-Stop Contactor*	1	MGC13306F*		
			MGC14306C*		
10	Terminal Block 3P	1	ECP1303AB		
11	Lead Wire	1	ER2GHM03S9A2	ER2GHM05S9A2	
12	CH Meter	1	ECP91CHAF	ECP91CHAE	
13	CH Meter Support	1	ECP99BKBA		
14	Rectifier	1	ECP93DIAA		
15	Fuse	1	9006275		
16	Fuse Holder	1	ECP92FZAA		
17	Name Plate CH	1	ECP99CHAA		
18	Terminal Block 6P	1	ECP1306AD		
19	Fulcrum Pin	1	ER2CS9449		
20	Cover Suspender	1	ER2CS9456		
21	Cover Belt	1	ER2BI9457	ER2CS9457	
22	Socket Bolt	1	9091249		
23	Plain Washer	1	ER1BS9436		
24	Spring Lock Washer	1	9012709		
25	Packing C	F	ER2BS9117	ER2CS9117	
		M	ER2BI9119		
26	Controller Cover	F	ER2BS9104	ER2CS9104	
		M	ER2BS2302	ER2CS2302	
27	Name Plate B	1	ER2BHM03S9A5	ER2BHM05S9A5	
28	Pan Head Mach. Screw	2	9798534		
29	Socket Bolt With Spring Washer	4	J1BG10504022		
		3			
33	Name Plate D	1	ER2BHM01H9A6		ER2BHM03H9A6

*Refer to the alpha-numeric code on contactor. The Code "S-N11" corresponds to MGC13306H. The code "CLK-25J3" corresponds to MGC14306C.

9.4 Electric Parts (Single Speed)



9.4 Electric Parts (Single Speed)

Figure No.	Part Name	Parts Per Hoist	005S	005L	010S	010L/020C	015S	020L	020S	030C
1	Limit Switch Complete Assembly	1	ER2CI1060							
2	Socket Bolt	3	9091247							
3	Spring Lock Washer	3	9012709							
4	Plate Assembly	1	ER2GHM05S 5A2	ER2GHM05L 5A2	ER2GHM10S5A2		ER2GHM20L5A2		ER2GHM20S5A2	
5	Plate	1	ER2CS9441		ER2DS9441		ER2ES9441			
6	Plate Screw	3	ER1BS9445							
7	Transformer	1	TRF73V611	TRF72V611	TRF73V611					
8	Electromagnetic Contactor	1	MGC23406A	MGC23406C	MGC23406A				MGC23406B	
9	E-Stop Contactor**	1	MGC13306F**						MGC13306H**	
10	Terminal Block 3P	1	ECP1303AB				ECP1303AB			
	Terminal Block 9P				ECP1309AB					
11	Lead Wire	1	ER2GHM05S 9A2	ER2GHM05L 9A2	ER2GHM05S9A2				ER2GHM20S9A2	
12	CH Meter	1	ECP91CHAE							
13	CH Meter Support	1	ECP99BKBA							
14	Rectifier	1	ECP93DIAA						ECP94DIAA	
15	Fuse	1	9006275							
16	Fuse Holder	1	ECP92FZAA							
17	Name Plate CH	1	ECP99CHAA							
18	Terminal Block 6P	1	ECP1306AD				ECP1306AD		ECP1306AF	
21	Machine Screw	2							9798512	
22	Fulcrum Pin	1	ER2CS9449							
23	Cover Suspender	1	ER2CS9456							
24	Cover Belt	1	ER2CS9457							
25	Socket Bolt	1	9091249							
26	Plain Washer	1	ER1BS9436							
27	Spring Lock Washer	1	9012709							
28	Packing C	1	ER2CS9117		ER2DS9117		ER2ES9117			
29	Balancer	F			ER2DS9109				ER2ES9109	
		M								
30	Socket Bolt	2	90912154		90912154					
		3							9091273	
31	Spring Lock Washer	2	9012709		9012709					
		3							9012711	
32	Controller Cover	F	ER2CS9104		ER2DS9104		ER2ES9104			
		M	ER2CS2302		ER2DS2302		ER2ES2302			
33	Name Plate B	1	ER2BHM05S9A5		ER2BHM10S9A5		ER2BHM20S9A5			
34	Pan Head Mach. Screw	2	9798534							
35	Socket Bolt With Spring Washer	4	J1BG10504022			J1BG10604024				
36	Name Plate D	1				ER2BHM20S9A6		ER2BHM15 M9A6		ER2BHM30 R9A6

*Name Plate D for 020C ONLY

**Refer to the alpha-numeric code on contactor. The code "S-U12" corresponds to MGD13306F. The code "S-N11" corresponds to MGC13306H. The code "CLK-25J3" corresponds to MGC14306C.

9.4 Electric Parts (Single Speed)

Figure No.	Part Name	Parts Per Hoist		025S	050L
1	Limit Switch Complete Assembly		1	ER2CI1060	
2	Socket Bolt		3	9091247	
3	Spring Lock Washer		3	9012709	
4	Plate Assembly		1	ER2GHM20S5A2	
5	Plate		1	ER2ES9441	
6	Plate Screw		3	ER1BS9445	
7	Transformer		1	TRF73V611	
8	Electromagnetic Contactor		1	MGC23406B	
9	E-Stop Contactor*		1	MGC13306H* MGC14306C*	
10	Terminal Block 3P		1	ECP1303AB	
11	Lead Wire		1	ER2GHM020S9A2	
12	CH Meter		1	ECP91CHAE	
13	CH Meter Support		1	ECP99BKBA	
14	Rectifier		1	ECP94DIAA	
15	Fuse		1	9006275	
16	Fuse Holder		1	ECP92FZAA	
17	Name Plate CH		1	ECP99CHAA	
18	Terminal Block 6P		1	ECP1306AF	
21	Machine Screw		2	9798512	
22	Fulcrum Pin		1	ER2CS9449	
23	Cover Suspender		1	ER2CS9456	
24	Cover Belt		1	ER2CS9457	
25	Socket Bolt		1	9091249	
26	Plain Washer		1	ER1BS9436	
27	Spring Lock Washer		1	9012709	
28	Packing C		1	ER2FS9117	
29	Balancer		1	ER2FS9109	
30	Socket Bolt		3	9091273	
31	Spring Lock Washer		3	9012711	
32	Controller Cover	F	1	ER2FS9104	
		M		ER2FS2302	
33	Name Plate B		1	ER2BHM25S9A5	
34	Pan Head Mach. Screw		2	9798534	
35	Socket Bolt With Spring Washer		4	J1BG10604040	
36	Name Plate D		1		ER2BHM50R9A6

*Refer to the alpha-numeric code on contactor. The code "S-N11" corresponds to MGC13306H. The code "CLK-25J3" corresponds to MGC14306C.

9.5 Electric Parts (Dual Speed)

001HD, 003SD, 003HD

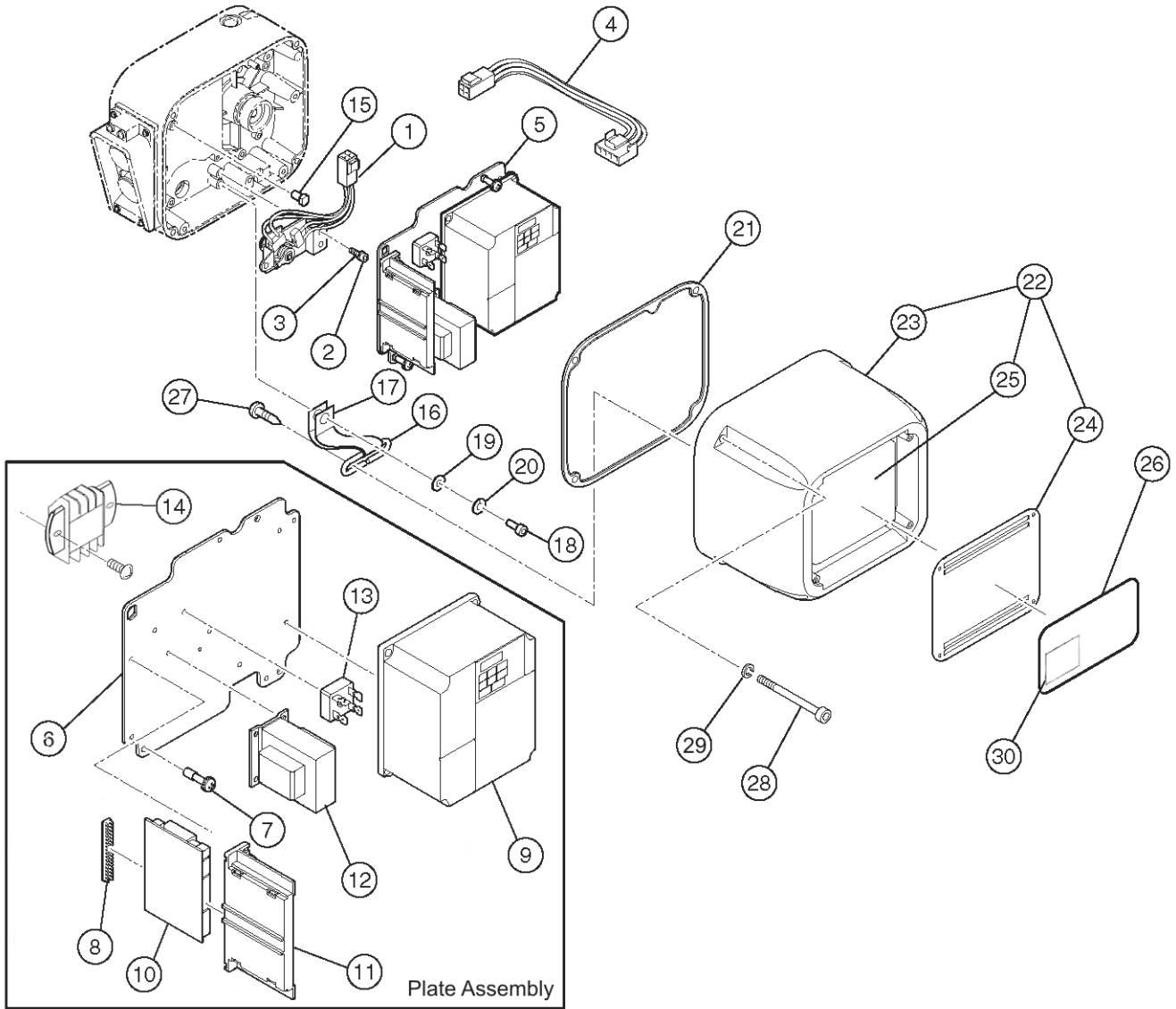
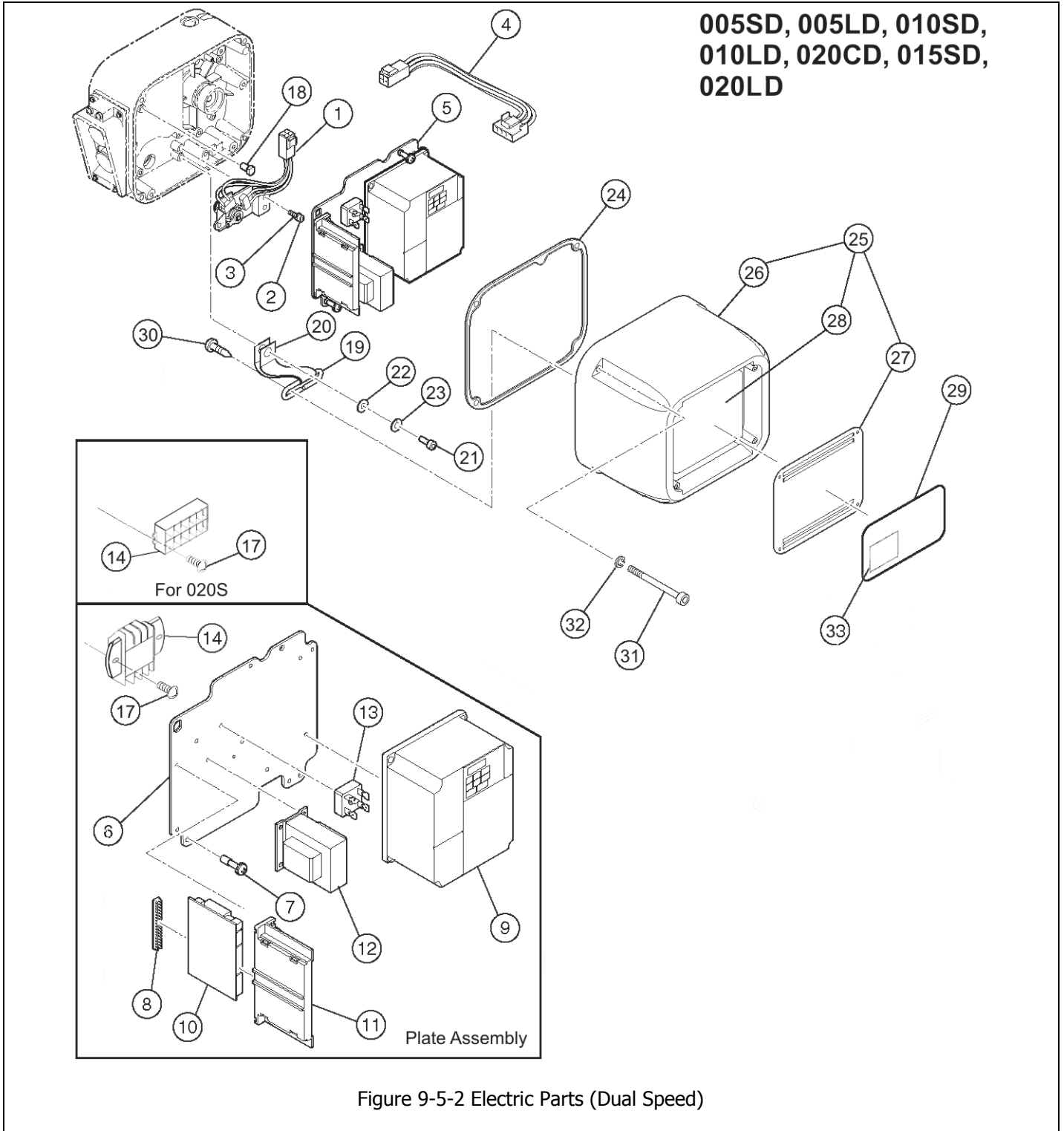


Figure 9-5-1 Electric Parts (Dual Speed)

9.5 Electric Parts (Dual Speed)

Figure No.	Part Name	Parts Per Hoist	001HD	003SD	003HD
1	Limit Switch Complete Assembly	1	ER2CI1060		
2	Socket Bolt	3	9091247		
3	Spring Lock Washer	3	9012709		
4	LS Harness	1	ER2CI9554		
5	Plate Assembly	M, 2V	ER2LHE03I5A2	ER2LHE05I5A2	
		F, 2V	ER2BHE03I5A2	ER2BHE05I5A2	
		M, 4V	ER2LHN03I5A2	ER2LHN05I5A2	
		F, 4V	ER2BHN03I5A2	ER2BHN05I5A2	
6	Plate	1	ER2BI9441	ER2CI9441	
7	Plate Screw	3	ER1BS9445		
8	Bushing	1	ECP99JBAC		
9	VFD Assembly	M, 2V	INV60FH24	INV615H24	
		F, 2V	INV60FH21	INV615H21	
		M, 4V	INV60FM24	INV615M24	
		F, 4V	INV60FM21	INV615M21	
10	Interface Board	1	ECP91KB02		
11	Board Support	1	ECP99BKAA		
12	Transformer	2V	TRF32C612		
		4V	TRF32N612		
13	Rectifier	1	ECP93DIAA		
14	Terminal Block 6P	1	ECP1306AD		
15	Fulcrum Pin	1	ER2CS9449		
16	Cover Suspender	1	ER2CS9456		
17	Cover Belt	1	ER2CS9457		
18	Socket Bolt	1	9091249		
19	Plain Washer	1	ER1BS9436		
20	Spring Lock Washer	1	9012709		
21	Packing C	F	ER2BS9117	ER2CS9117	
		M	ER2BI9117		
22	Controller Cover Assembly	2V	ER2BI2104	ER2CI2104	
		4V	ER2BI1104	ER2CI1104	
23	Controller Cover	1	ER2BI9104	ER2CI9104	
24	Resistor Cover	1	ER2BI9185	ER2CI9185	
25	Braking Resistor	2V	INV70EE16	INV709E16	
		4V	INV70EY16	INV709Y16	
26	Name Plate B	1	ER2BHM03I9A5	ER2BHM05I9A5	
27	Pan Head Mach. Screw	2	9798534		
28	Socket Bolt	4	9091233		
29	Toothed Lock Washer	4	9679708		
30	Name Plate D	1	ER2BHM01H9A6		ER2BHM03H9A6

9.5 Electric Parts (Dual Speed)

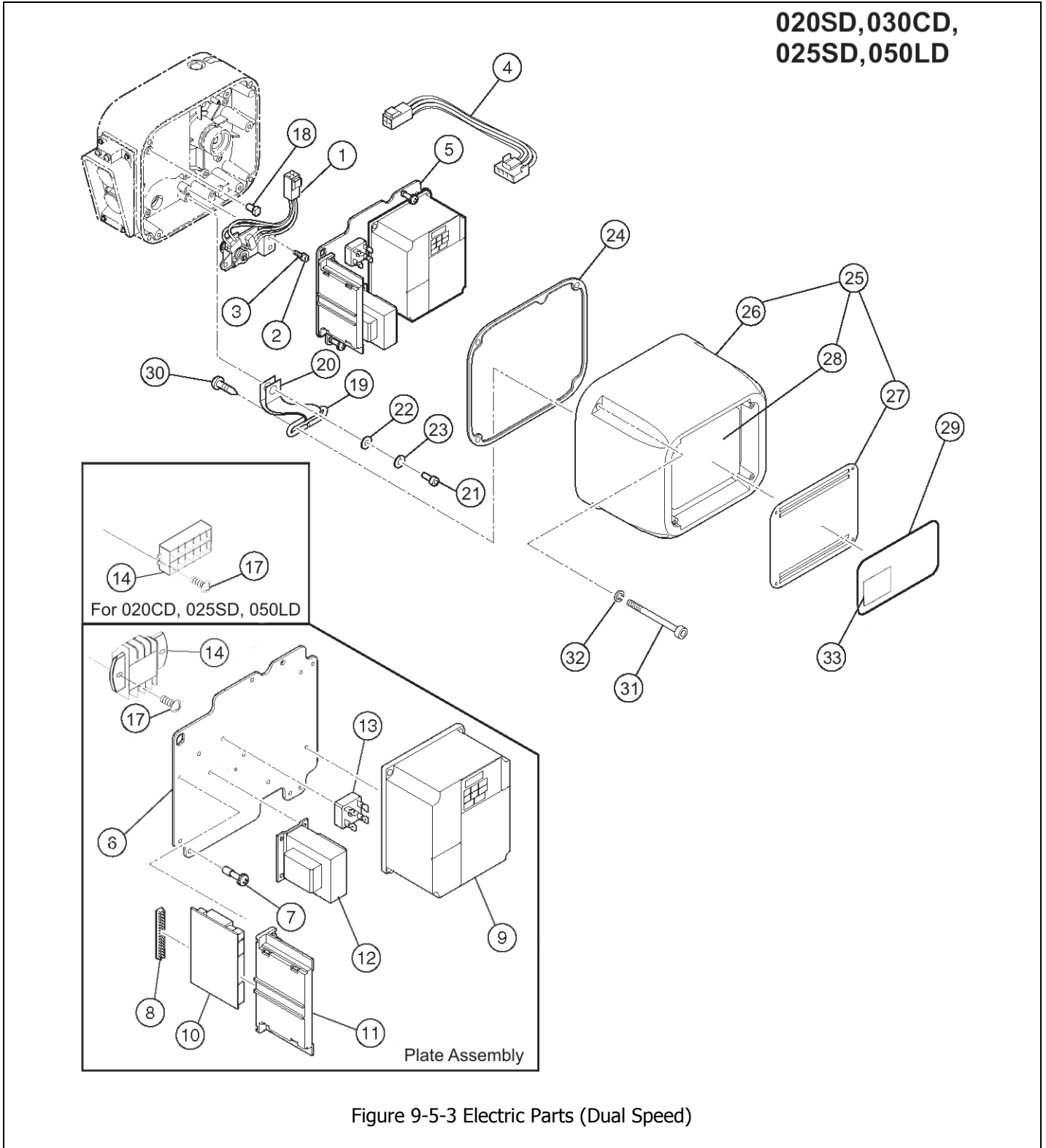


9.5 Electric Parts (Dual Speed)

Figure No.	Part Name	Parts Per Hoist	005SD	005LD	010SD	010LD/020CD	015SD	020LD	
1	Limit Switch Complete Assembly	1	ER2CI1060						
2	Socket Bolt	3	9091247						
3	Spring Lock Washer	3	9012709						
4	LS Harness	1	ER2CI9554						
5	Plate Assembly	M, 2V	1	ER2LHE05I5A2	ER2LHE05J5A2	ER2LHE10I5A2	ER2LHE10J5A2	ER2LHE20J5A2	
		F, 2V	1	ER2BHE05I5A2	ER2BHE05J5A2	ER2BHE10I5A2	ER2BHE10J5A2	ER2BHE20J5A2	
		M, 4V	1	ER2LHN05I5A2	ER2LHN05J5A2	ER2LHN10I5A2	ER2LHN10J5A2	ER2LHN20J5A2	
		F, 4V	1	ER2BHN05I5A2	ER2BHN05J5A2	ER2BHN10I5A2	ER2BHN10J5A2	ER2BHN20J5A2	
6	Plate	1	ER2CI9441		ER2DI9441		ER2EI9441		
7	Plate Screw	3	ER1BS9445						
8	Bushing	1	ECP99JBAC						
9	Inverter Assembly	M, 2V	1	INV615H24	INV60FH24	INV622H24	INV615H24	INV622H24	
		F, 2V	1	INV615H21	INV60FH21	INV622H21	INV615H21	INV622H21	
		M, 4V	1	INV615M24	INV60FM24	INV622M24	INV615M24	INV622M24	
		F, 4V	1	INV615M21	INV60FM21	INV622M21	INV615M21	INV622M21	
10	Interface Board	1	ECP91KB02						
11	Board Support	1	ECP99BKAA						
12	Transformer	2V	TRF32C612						
		4V	TRF32N612						
13	Rectifier	1	ECP93DIAA						
14	Terminal Block 6P	1	ECP1306AD						
17	Machine Screw	2	9798512						
18	Fulcrum Pin	1	ER2CS9449						
19	Cover Suspender	1	ER2CS9456						
20	Cover Belt	1	ER2CS9457						
21	Socket Bolt	1	9091249						
22	Plain Washer	1	ER1BS9436						
23	Spring Lock Washer	1	9012709						
24	Packing C	1	ER2CS9117			ER2DS9117		ER2ES9117	
25	Controller Cover Assembly	2V	1	ER2CI2104	ER2CJ2104	ER2DI2104	ER2DJ2104	ER2EJ2104	
		4V	1	ER2CI1104	ER2CJ1104	ER2DI1104	ER2DJ1104	ER2EJ1104	
26	Controller Cover	1	ER2CI9104			ER2DI9104		ER2EI9104	
27	Resistor Cover	1	ER2CI9185			ER2DI9185		ER2EI9185	
28	Braking Resistor	2V	1	INV709E16	INV70EE16	INV718E16	INV709E16	INV718E16	
		4V	1	INV709Y16	INV70EY16	INV718Y16	INV709Y16	INV718Y16	
29	Name Plate B	1	ER2BHM05I9A5			ER2BHM10I9A5		ER2BHM20I9A5	
30	Pan Head Machine Screw	2	9798534						
31	Socket Bolt	4	9091233			9091254			
32	Toothed Lock Washer	4	9679708			9679709			
33	Name Plate D	1				ER2BHM20S9A6*	ER2BHM15M9A6		

*Name Plate D for 020C ONLY

9.5 Electric Parts (Dual Speed)



9.5 Electric Parts (Dual Speed)

Figure No.	Part Name	Parts Per Hoist		020SD	030CD	025SD	050LD
1	Limit Switch Complete Assembly		1	ER2CI1060			
2	Socket Bolt		3	9091247			
3	Spring Lock Washer		3	9012709			
4	LS Harness		1	ER2CI9554			
5	Plate Assembly	M, 2V	1	ER2LHE20I5A2			
		F, 2V	1	ER2BHE20I5A2			
		M, 4V	1	ER2LHN20I5A2			
		F, 4V	1	ER2BHN20I5A2			
6	Plate		1	ER2EI9441			
7	Plate Screw		3	ER1BS9445			
8	Bushing		1	ECP99JBAC			
9	Inverter Assembly	M, 2V	1	INV637H24			
		F, 2V		INV637H21			
		M, 4V		INV637M24			
		F, 4V		INV637M21			
10	Interface Board		1	ECP91KB02			
11	Board Support		1	ECP99BKAA			
12	Transformer	2V	1	TRF32C612			
		4V		TRF32N612			
13	Rectifier		1	ECP93DIAA	ECP94DIAA		
14	Terminal Block 6P		1	ECP1306AD	ECP1306AF		
17	Machine Screw		2	9798512			
18	Fulcrum Pin		1	ER2CS9449			
19	Cover Suspender		1	ER2CS9456			
20	Cover Belt		1	ER2CS9457			
21	Socket Bolt		1	9091249			
22	Plain Washer		1	ER1BS9436			
23	Spring Lock Washer		1	9012709			
24	Packing C		1	ER2ES9117	ER2FS9117		
25	Controller Cover Assembly	2V	1	ER2EI2104	ER2FI2104		
		4V		ER2EI1104	ER2FI1104		
26	Controller Cover		1	ER2EI9104	ER2FI9104		
27	Resistor Cover		1	ER2EI9185			
28	Braking Resistor	2V	1	INV735E16			
		4V		INV735Y16			
29	Name Plate B		1	ER2BHM20I9A5			
30	Pan Head Machine Screw		2	9798534			
31	Socket Bolt		4	9091254			
32	Toothed Lock Washer		4	9679709			
33	Name Plate D		1		ER2BHM30R9A6	ER2BHM25I9A6	ER2BHM50K9A6

9.6 Power Supply and Pendant Parts

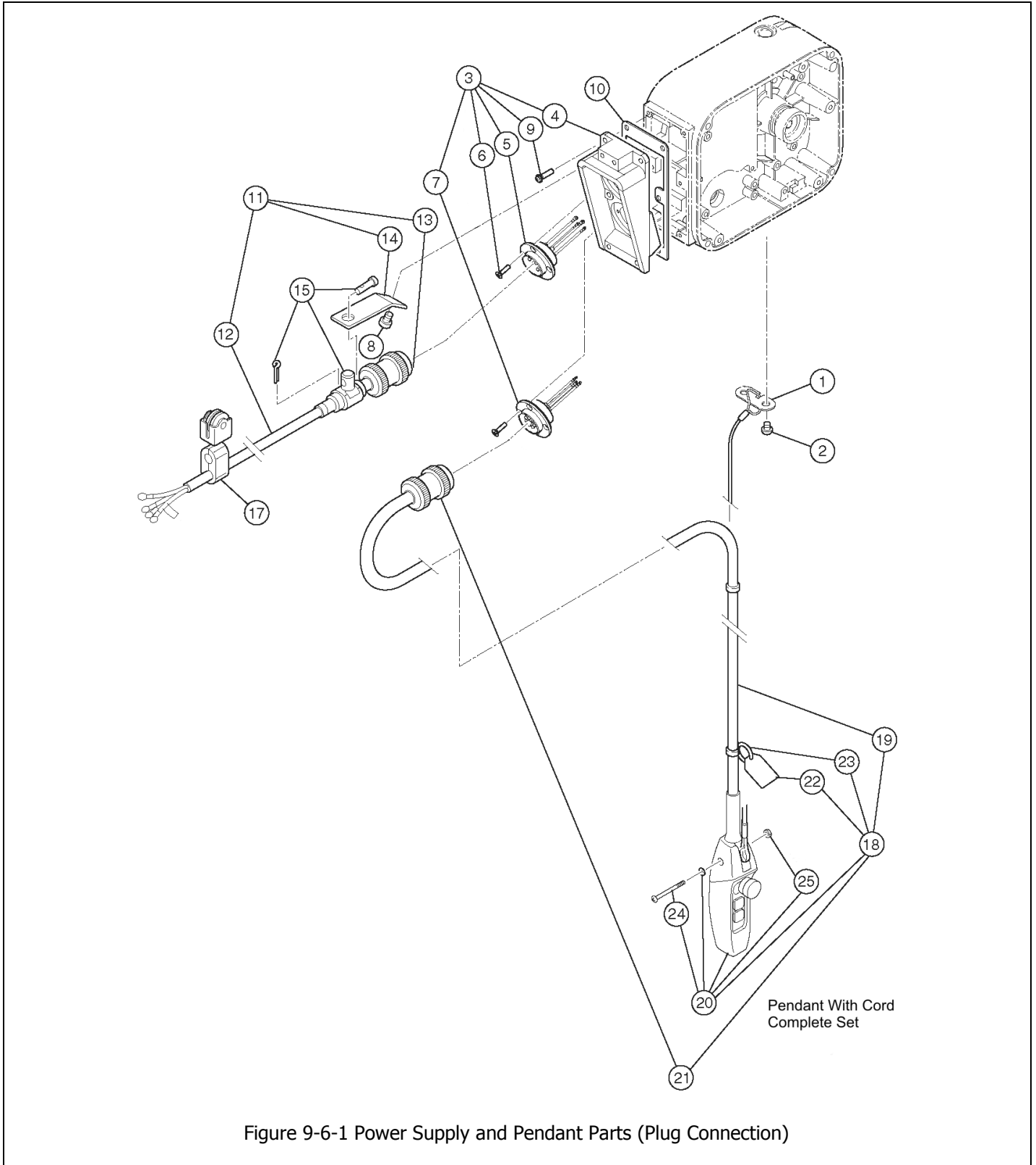


Figure 9-6-1 Power Supply and Pendant Parts (Plug Connection)

9.6 Power Supply and Pendant Parts

Figure No.	Part Name	Parts Per Hoist	001H	003S	003H	005L	005S	010L / 020C	010S	015S	020L	020S	030C	025S	050L		
1	Cord Support (Wire Stop)	1	ER1BS9534														
2	Mach. Screw W/Spring Washer	2	M6F554010														
3	Socket Frame Complete Assembly	S	ER2CS4511						ER2ES4511								
		D	ER2CI4511			ER2DI4511			ER2EI4511								
4	Socket Frame	1	ER2CS9511														
5	Socket 4P Assembly	S	ER2CS2523						ER2ES2523								
		D	ER2CI2523			ER2CS2523			ER2EI2523								
6	Tapping Flat Head Mach. Screw	8	ES558003														
7	Socket 8P Assembly	S	ER2CS2564														
		D	ER2CI2564						ER2EI2564								
8	Mach. Screw W/Spring Washer	2	ES650005S														
9	Mach. Screw W/ Spring Washer	6	MS561010														
10	Socket Frame Packing	1	ER2CS9512														
11	Power Supply Cable 4C Assembly	1	ZBZA12CH1000									ZBZA12AH1000					
12	Power Supply Cable 4C	ft	16/4									14/4					
13	Plug 4P	1	ECP2304AD									ECP2304AF					
14	Cable Support Arm	1	ER1BS9541														
15	Cable Support 12 Assembly	1	ES822003														
	Cable Support 14 Assembly											MS1724010					
17	Cable Hanger 14 Assembly	A/R	ES1527003														
18	Pendant W/Cord Complete Assembly	S	ZB10025H1000														
		D	ZB20025I1000														
19	Pendant Cord	S	16/4P														
		D	16/6P														
20	Pendent Assembly	S	SWD1100AAH														
		D	SWD2200AAH														
21	Plug 8P	S	ECP2108AA														
		D	ECP2108AB														
22	Warning Tag PB	1	WTAG7														
23	Tag Holder	1	E3S787003														
24	Machine Screw	1	J1AP24002608														
25	Nut	1	9093414														

Note: A/R = As required, one every 5 ft. of Power Supply Cable.

9.6 Power Supply and Pendant Parts

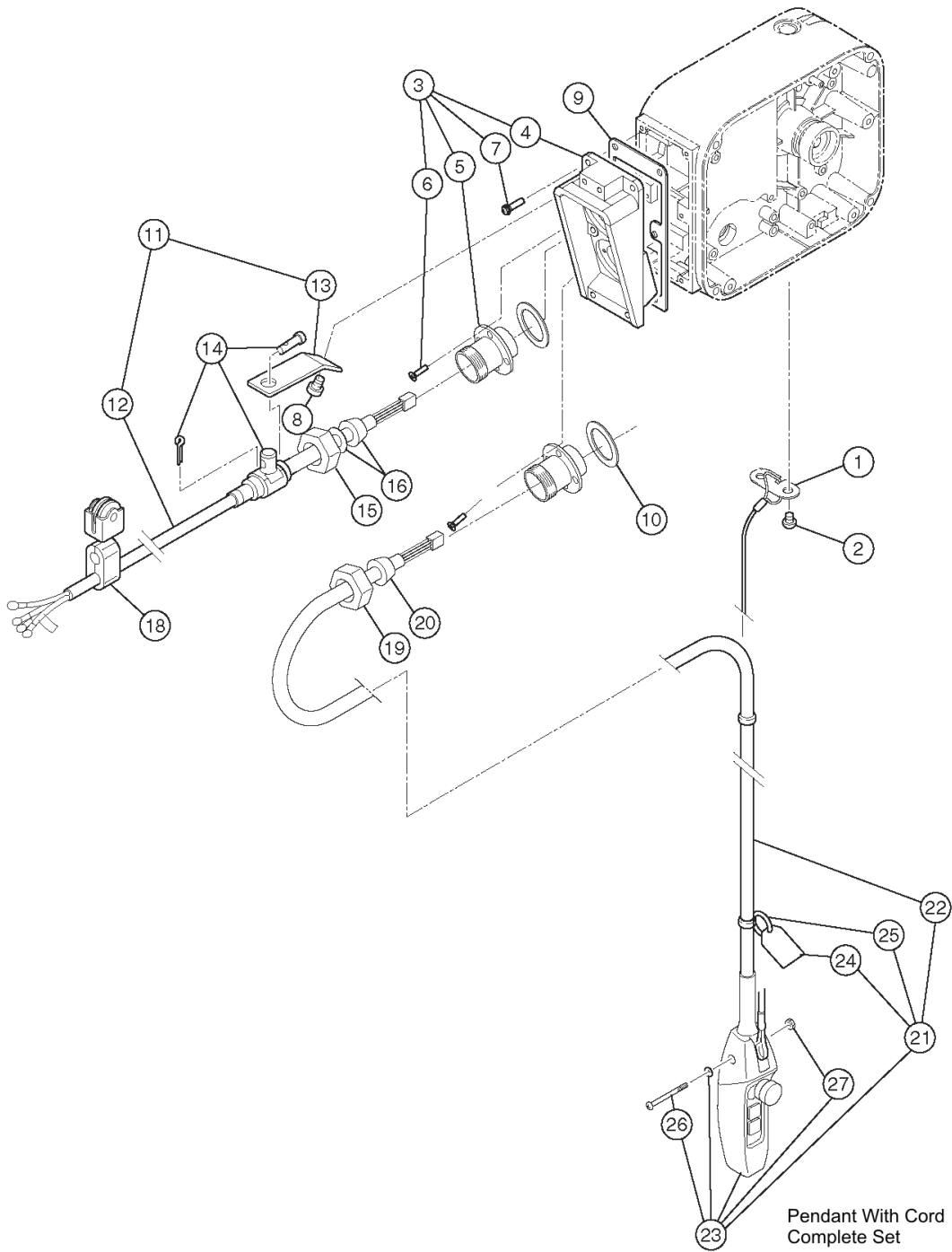


Figure 9-6-2 Power Supply and Pendant Parts (Direct Connection)

9.6 Power Supply and Pendant Parts

Figure No.	Part Name	Parts Per Hoist	001H	003S	003H	005L	005S	010L / 020C	010S	015S	020L	020S	030S	025S	050L		
1	Cord Support (Wire Stop)	1	ER1BS9534														
2	Mach. Screw W/ Spring Washer	2	M6F554010														
3	Socket Frame Complete Assembly	S	ER2CS4511						ER2ES4511								
		D	ER2CI4511						ER2EI4511								
4	Socket Frame	1	ER2CS9511														
5	Holder C	2	ECP5924AL														
6	Tapping Flat Head Mach. Screw	8	ES558003														
7	Mach. Screw W/ Spring Washer	6	MS561010														
8	Mach. Screw W/Spring Washer	2	ES650005S														
9	Socket Frame Packing	1	ER2CS9512														
10	Holder Packing	2	ECP5924AM														
11	Power Supply Cable 4C Assembly	1	ZBZA12CH1000									ZBZA12AH1000					
12	Power Supply Cable 4C	ft	16/4									14/4					
13	Cable Support Arm	1	ER1BS9541														
14	Cable Sup. 12 Assembly	1	ES822003														
	Cable Sup. 14 Assembly											MS1724010					
15	Holder A	1	ECP5924AA														
16	Cable Packing	1	ECP6912AA									ECP6914AA					
18	Cable Hanger 14 Assembly	A/R	ES1527003														
19	Holder A	1	ECP5924AA														
20	Cable Packing	1	ECP6912AA														
21	Pendant W/Cord Complete Assembly	S	ZB10025H1000														
		D	ZB20025I1000														
22	Pendant Cord	S	16/4P														
		D	16/6p														
23	Pendant Assembly	S	SWD1100AAH														
		D	SWD2200AAH														
24	Warning Tag PB	1	WTAG7														
25	Tag Holder	1	E3S787003														
26	Machine Screw	1	J1AP24002608														
27	Nut	1	9093414														

Note: A/R = As required, one every 5 ft. of Power Supply Cable.

This Page Intentionally Left Blank

This Page Intentionally Left Blank

HARRINGTON

HOISTS AND CRANES

www.harringtonhoists.com

Harrington Hoists, Inc.
401 West End Avenue
Manheim, PA 17545-1703
Phone: 717-665-2000
Toll Free: 800-233-3010
Fax: 717-665-2861

Harrington Hoists – Western Division
2341 Pomona Rd. #103
Corona, CA 92880-6973
Phone: 951-279-7100
Toll Free: 800-317-7111
Fax: 951-279-7500

ER20M