

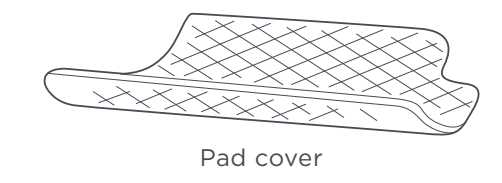


QUICK START GUIDE

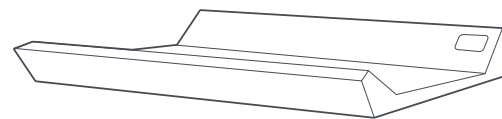
Smart Changing Pad



What's in your box?



Pad cover



Smart Changing Pad

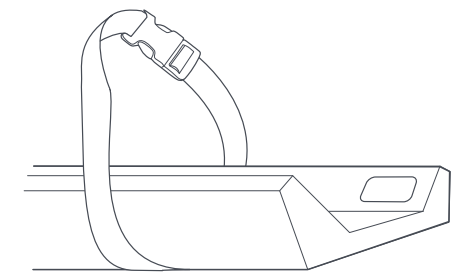
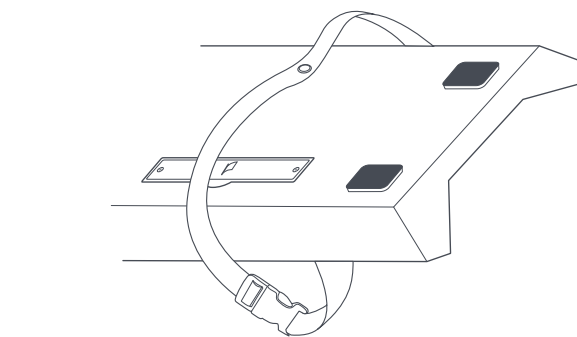


Safety strap

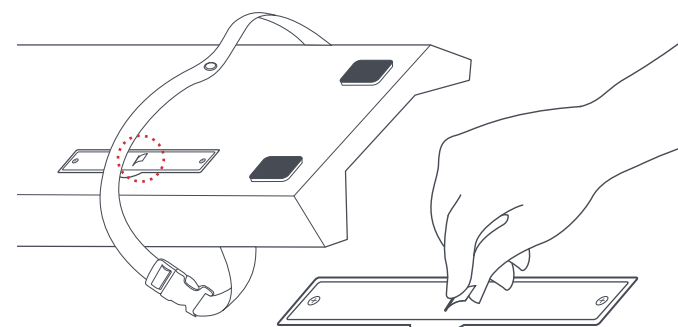
PLEASE NOTE: Your Smart Changing Pad is a sensitive piece of equipment. Dropping it, sitting or leaning on it, or putting more than 44lbs (20kg) on it could permanently damage it.

Setting up your Smart Changing Pad

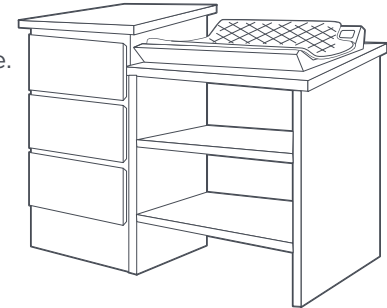
Connect the safety strap.



Pull out the battery tab.

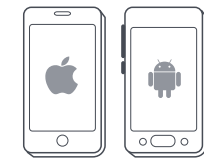


Place the pad on a hard, flat surface, free from obstructions — it shouldn't be touching the wall or sides of your changing table.



Before you start, you'll need:

A smartphone
An iPhone (running iOS8 or higher) or Android (running Ice Cream Sandwich version 4.0 or higher) smartphone.



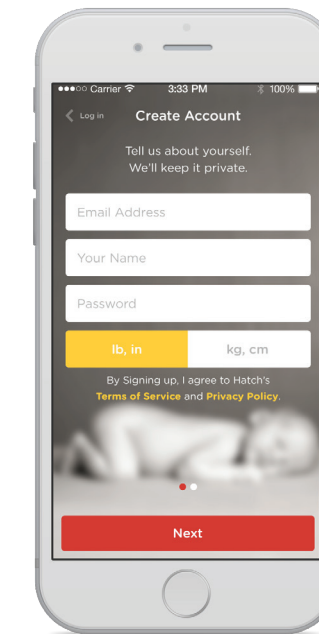
Home WiFi
The Smart Changing Pad will connect to an 802.11 b/g/n 2.4GHz network. If you're having trouble, check your router documentation to verify that you're broadcasting on 2.4GHz and that you have MAC address filtering turned off.

The Hatch Baby app
You can download the Hatch Baby App in the Apple App or Google Play store.

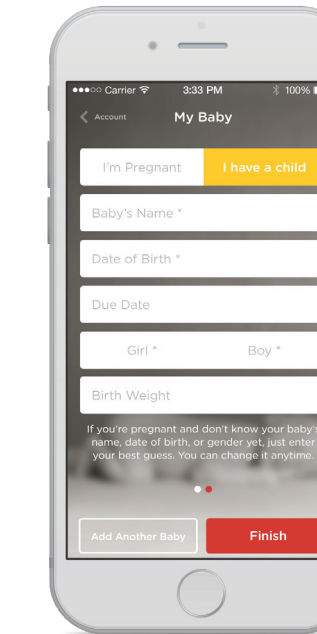


Installation

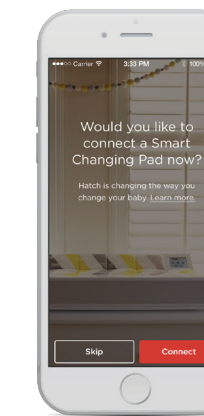
Open up the Hatch Baby app in your smartphone and start creating your account by adding in your information. Then click on the Next button.



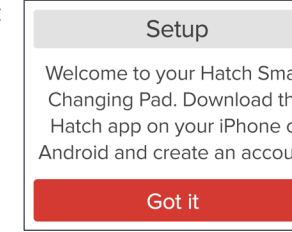
Then add in your baby's information and click on the Finish button to create your account.



You will then be asked if you'd like to connect a Smart Changing Pad to your smartphone.



Turn on your Smart Changing Pad by tapping the LCD, then click on the Got it button. Then click on Connect in your app.

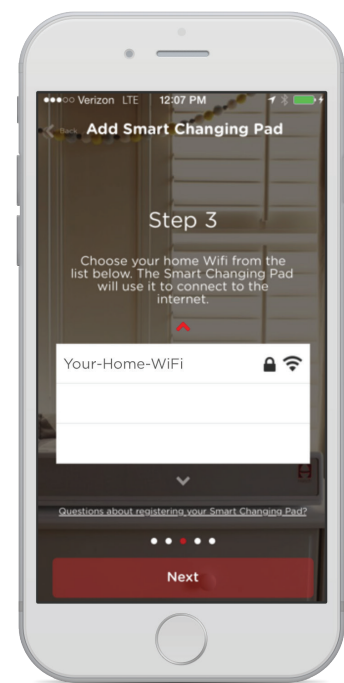


On your phone, go to your settings and connect to the HATCHBABY-XXXX network.

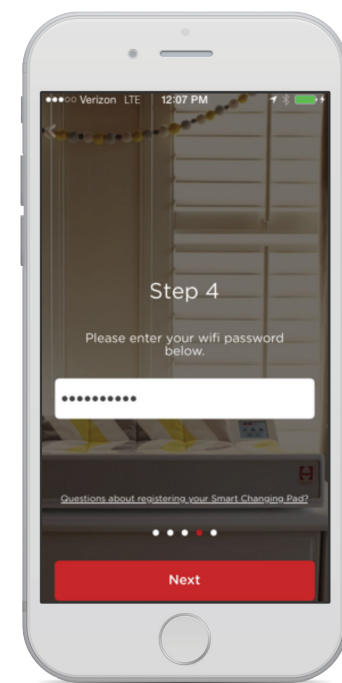


Please note: It might take a few moments for the HATCHBABY-XXXX network to appear in your WiFi network list.

Return to your Hatch Baby app and select your home WiFi.

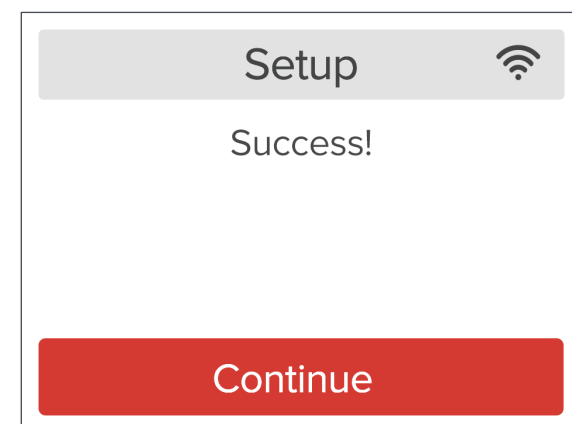


Enter in your WiFi password.



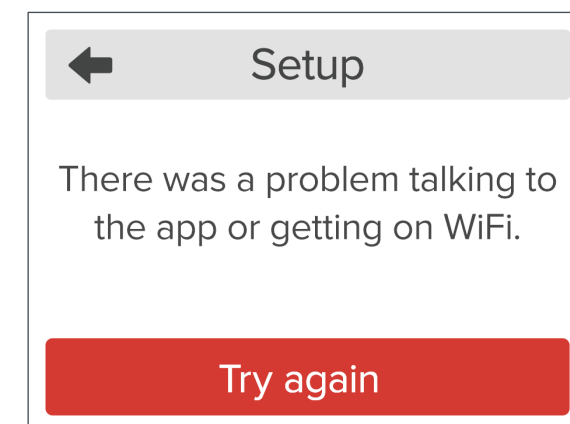
Success!

Your Smart Changing Pad should now be connected to your home network.



...Or not

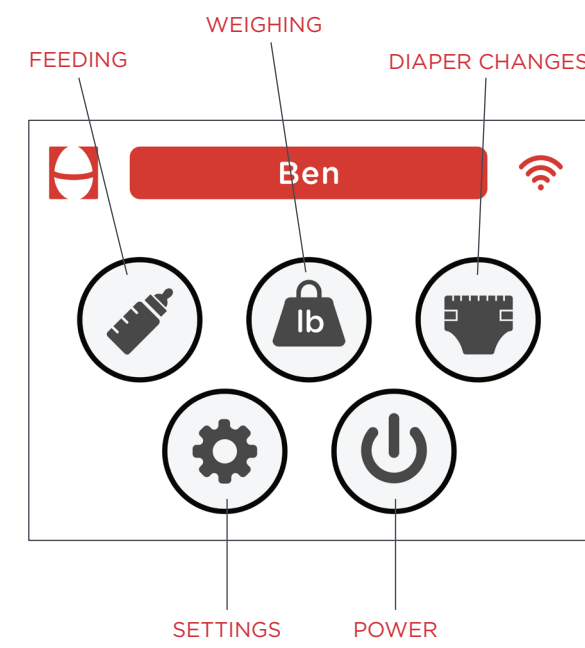
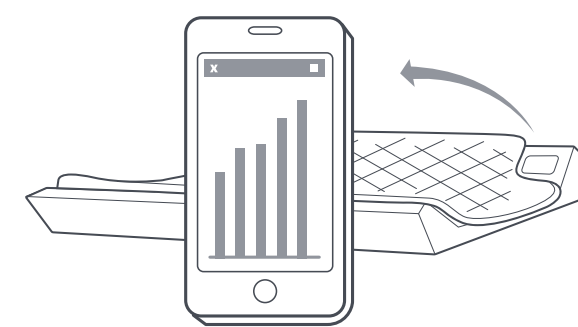
Having trouble? Tap "Try again" on your phone to try again, or try reconnecting your phone to your home WiFi.



Still not working? Go to: www.hatchbaby.com/setup

Using your Smart Changing Pad

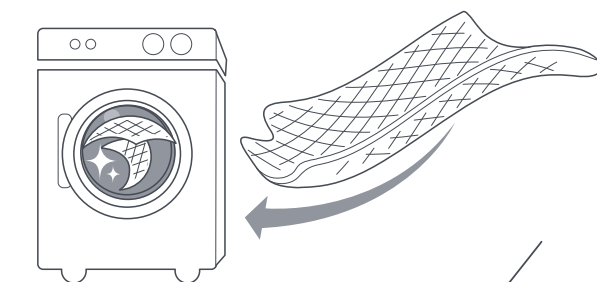
Your Smart Changing Pad will automatically send weights, feeding amounts, and diaper changes to your smartphone when you select those options on the LCD screen. Log into the Hatch Baby app to manually track your baby's sleep, feedings, growth, and more!



Want to learn more about using your Smart Changing Pad and app? Go to www.hatchbaby.com

Caring for your Smart Changing Pad

The removable changing pad cover can be washed on the gentle cycle in cold water, but should be air dried (do not put in the dryer).



The changing pad base can be wiped clean with a damp cloth.



FCC Regulatory Statement

This equipment has been tested and found to comply with the limits for a Class B digital device, pursuant to part 15 of the FCC Rules. These limits are designed to provide reasonable protection against harmful interference in a residential installation. This equipment generates, uses and can radiate radio frequency energy and, if not installed and used in accordance with the instructions, may cause harmful interference to radio communications. However, there is no guarantee that interference will not occur in a particular installation. If this equipment does cause harmful interference to radio or television reception, which can be determined by turning the equipment off and on, the user is encouraged to try to correct the interference by one or more of the following measures:

- Reorient or relocate the receiving antenna.
- Increase the separation between the equipment and receiver.
- Connect the equipment into an outlet on a circuit different from that to which the receiver is connected.
- Consult the dealer or an experienced radio/TV technician for help.



Need help?
Go to www.hatchbaby.com/setup