

Manufactured by:



NEW S-UMM Series Universal Monitor Mounts



The **NEW S-UMM Series Universal Monitor Mounts** provide a stable tilt/swivel assembly that can be mounted on any combination of Havis-Shields console or swing arm mounts. The new design uses a standard motion bracket assembly with a device specific interface plate. The interface plate can be mounted in different locations on the main assembly to allow for ideal positioning of the monitor.

The S-UMM series will phase out the previously manufactured C-3522 series of monitor mounts. The new S-UMM series provides identical function capability.

How To Order Monitor Mounts:

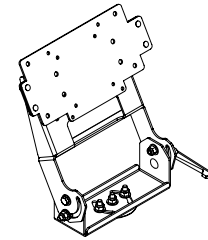
All monitor mount part numbers begin with "**S-UMM-**" followed by a configuration based on your manufacturer/model:

S-UMM-

Model Code	Devices by Make, Model
AMR-MTX	Amrel, Matrix DP860
CBN-VM2	Coban Technologies, VMDT II
DATA-911	Data911, D9-02-2009 (12.1" monitor)
DATA-911-84	Data911, M2C-8.4TR (8.4" monitor)
DLX-TX2	Datalux, TX200
DRT-M3	Duratab, M2 or M3
FSE-CAM	Fleet Safety Equipment Cam
L3-MV2	L3, Mobile Vu II
LDC-CF19	Ledco, CF-19 Docking Station
MOT-M80	Motorola, MW800 or MW810
PAN-CF2	Panasonic, CF-VDL01 or CF-VDL02 (PDRC)
PLA-LX1	Planar, LX1200-TI
POL-TRP	Polaris, Trooper II
ROBO-1205	RoboVu, 1205-PS or 1205-DLT
ROBO-VU3	RoboVu, 3
XPT-104	Xplore Technologies iX104

New S-UMM Universal Monitor Mounts feature:

- Quick-Release knob to fold closed for storage
- Folding angles from flat to 40° past straight up for a total of 130° of travel
- Slotted for 85° swivel
- Used with Angled Series and Stout Mount Series consoles and C-TCB Bases



S-UMM-AMR-MTX
S-UMM-DLX-TX2
S-UMM-FSE-CAM

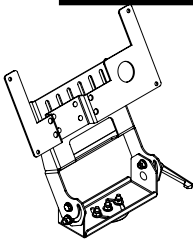
S-UMM-L3-MV2
S-UMM-PLA-LX1
S-UMM-XPT-104

Example:

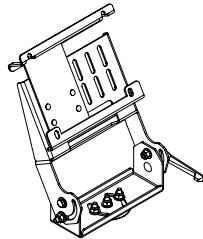
S-UMM-

MOT-M80

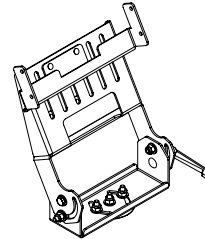
(Replaces p/n: C-3522-800)



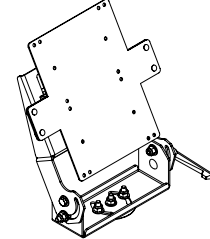
S-UMM-CBN-VM2



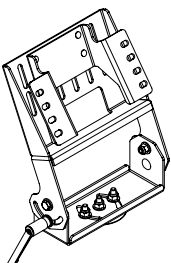
S-UMM-DATA-911



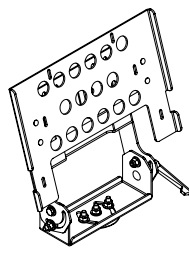
S-UMM-DATA-911-84



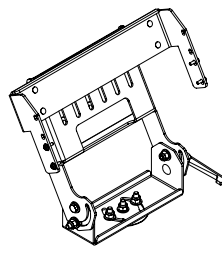
S-UMM-DRT-M3



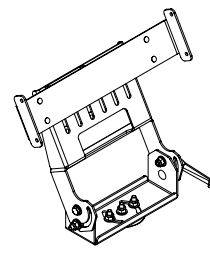
S-UMM-LDC-CF19



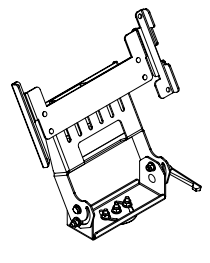
S-UMM-MOT-M80



S-UMM-PAN-CF2



S-UMM-POL-TRP



S-UMM-ROBO-1205

See the Havis-Shields Catalog for complete mounting solutions!

Manufactured by:

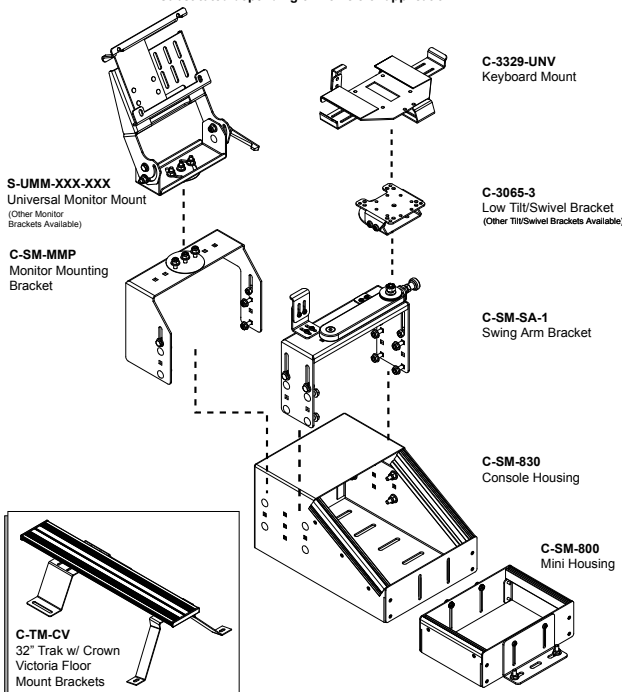


NEW S-UMM Series Sample Applications



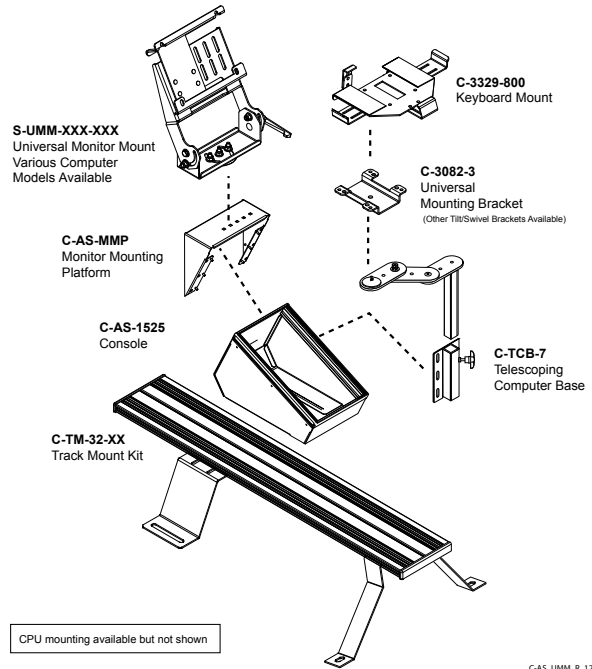
Stout Mount™ 2 Piece Computer Mount

This is a sample configuration. These parts can be substituted depending on vehicle or application.



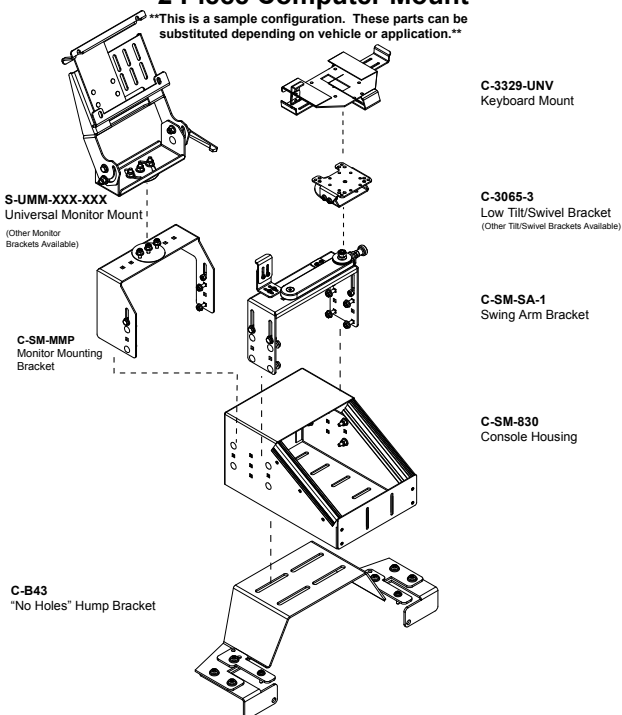
Angled Series Console with 2 Piece Computer Mount

This is a sample configuration. These parts can be substituted depending on vehicle or application.



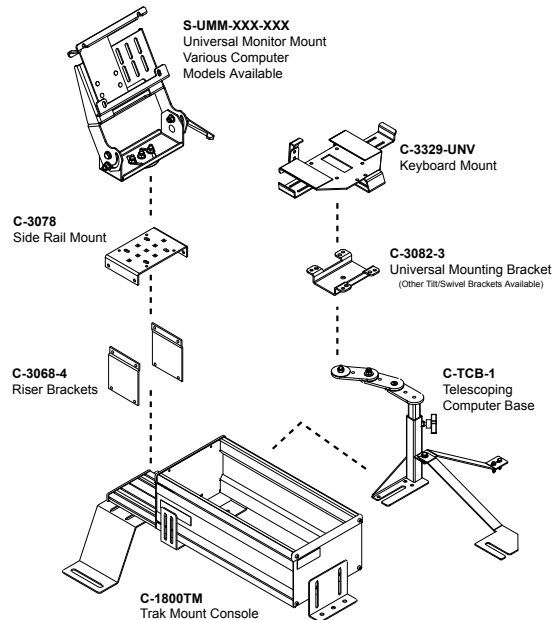
Stout Mount™ 2006-2008 Impala 2 Piece Computer Mount

This is a sample configuration. These parts can be substituted depending on vehicle or application.



Enclosed Series Console (C-TM Series) with 2 Piece Computer Mount

This is a sample configuration. These parts can be substituted depending on vehicle or application.



See the Havis-Shields Catalog for complete mounting solutions!