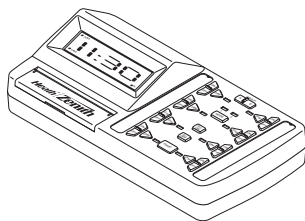


Features

- Operational range of up to 100 feet.
- Controls all Heath®/Zenith Remote Home™ line of products.
- Adds programmable ON/OFF function for up to 16 channels of remote controlled products.
- UL/cUL listed power supply.
- FCC/IC tested and approved.
- 12/24 Hour Digital Clock Display.
- 9V battery backup to prevent program loss.
- Flash control on compatible receivers when using the Panic feature.

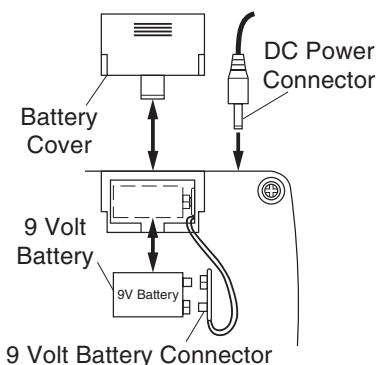


Battery Installation and Battery Backup

The SL-6007 is designed for 120VAC operation using the included DC power converter, but has the added feature of an onboard battery backup to prevent program memory loss. To install rechargeable battery:

1. Remove battery cover on rear of housing by sliding cover down.
2. Install rechargeable 9V battery according to polarity markings.
3. Close battery compartment by reversing the previous instructions.

Upon power failure, the battery backup will automatically shut down all non-essential functions. The display and keypad will not work. The battery backup will last in excess of 5 hours. When power is restored, the unit will restart the display and set all channels to the OFF position. All programming will be maintained unless the back up reserve is depleted. If the battery is depleted, reprogramming of the time and automated functions will again be required.



Installing 9 Volt Rechargeable Battery and DC Power Connector

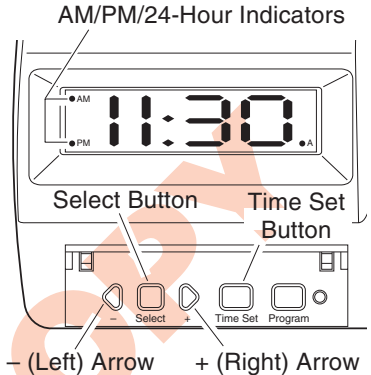
Setting The Time

The following buttons (located under the front cover) are used to set the time: TIME SET, SELECT, and the – (LEFT) and + (RIGHT) arrow buttons.

1. Press the TIME SET button. The hour will highlight.
2. Press the LEFT or RIGHT arrow buttons to adjust the hour (Hint: Holding the arrow button down will scroll through the numbers. Release the arrow button when the desired hour is displayed).
Note: When in 12-hour mode the AM and PM indicators will light indicating which part of the day is currently selected.
3. Press the SELECT button. The minute will highlight.
4. Press the LEFT or RIGHT arrow buttons to adjust the minute (Hint: Holding the arrow button down will scroll through the numbers. Release the arrow button when the desired hour is displayed).
5. Press the SELECT button. The 12/24-hour mode becomes adjustable.
6. Press the LEFT or RIGHT arrow buttons to toggle between 12-hour and 24-hour display mode. Note: The AM or PM indicator will light when the 12-hour mode is selected. If neither AM nor PM indicator is lit, the 24-hour mode is selected.

Note: If a mistake is made, return to the hour, minute, or 12/24-hour indicator at any time by using the SELECT key to scroll to the desired position.

When the desired selections are completed, press the TIME SET button.

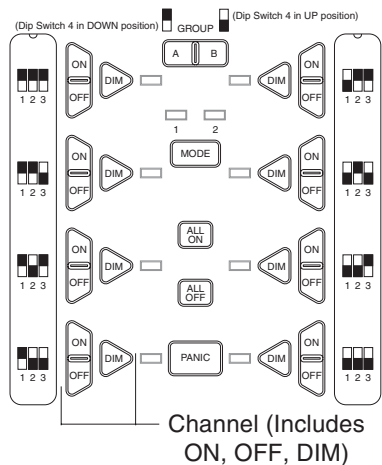


Setting the Time

Setting Receiver(s) Dip Switches

The Control Panel transmitter has preprogrammed dip switch settings for each channel. In order for the Control Panel to communicate with a receiver, the dip switches on the receiver must correspond with the preprogrammed dip switch settings of the channel you wish to use. Note: There are no dip switches on the Control Panel that require setting.

1. Determine which receiver(s) will be operated by which channel.
2. Set receiver(s) dip switches 1, 2, and 3 to match the dip switch settings for the channel you wish to operate the receiver(s).

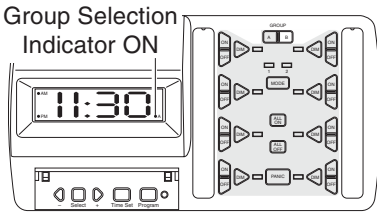


Preprogrammed Dip Switch Settings

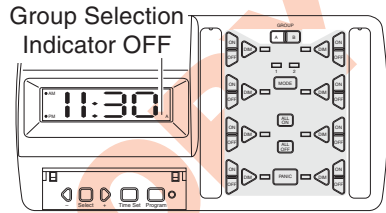
3. Determine whether the receiver(s) will be in Group A or B.
4. Set dip switch 4 on the receiver to the same setting as Group A or B.

Control Descriptions

GROUP: Allows each channel to be used for 2 different groups of receivers (for a total of 16 channels). It also allows for the programming of 2 separate groups of 8 channels, for a total of 16 programmable (ON/OFF) combinations. To choose Group A, press the left side of the switch (the Group Indicator will be on). To choose Group B, press the right side of the switch (the Group Indicator will be off).



Group A Selected



Group B Selected

Group Selection

ALL ON: Turns ON all light fixtures programmed for either Group A or Group B. Each channel LED indicator will light in sequential order as units are turned on. To perform this function, select either Group A or Group B then press ALL ON. If lights are off or dimmed (where applicable) they will be turned on full power.

ALL OFF: Turns OFF all light fixtures programmed for either Group A or Group B. Each channel LED indicator will light in sequential order as units are turned on. To perform this function, select either Group A or Group B then press ALL OFF. If lights are on or dimmed (where applicable) they will be turned off.

PANIC: Turns ON all light fixtures programmed for either Group A or Group B. Light fixtures within the selected group that have Flash capability will FLASH when this command is received. Each channel LED indicator will alternately light in sequential order. ALL OFF will turn off all channels within the selected group and reset all light fixtures to normal operating mode.

Channel ON: Turns ON all light fixtures that are configured to work with a particular channel. To perform this function, press the ON button located by the channel number desired (between 1 and 8). When ON is pressed, the channel LED will momentarily light.

Channel OFF: Turns OFF all light fixtures that are configured to work with a particular channel. To perform this function, press the OFF button located by the channel number desired (between 1 and 8). When OFF is pressed, the channel LED will momentarily light.

Channel DIM: Dims all light fixtures that are equipped with the dimming feature that are configured to work with a particular channel. To perform this function, press the DIM button located by the channel number desired (between 1 and 8). Pressing DIM repeatedly will toggle thru the different dim levels if the light fixture is capable of more than one level of dim. Each time the DIM button is pressed, the channel LED will momentarily light.

The DIM button saves the last dim setting used. To recall the last dim setting, press the DIM channel once.

Note: The light fixture must be capable of dimming for the DIM button to work properly.

Programming Functions

MODE: Pressing the MODE button toggles between the different programmed mode settings. The possible settings are MODE 1, MODE 2, both MODE 1 and 2, and off. When the MODE 1 LED is on, all programmed channels for MODE 1 will be activated. When the MODE 2 LED is on, all programmed channels for MODE 2 will be activated. To activate both MODE 1 and MODE 2 programs, press the MODE button until both LED's are on. To turn off all programmed channels, press the MODE button until both LED's are off.

Program Mode: Allows the user to program ON/OFF times for selected channels. The clock display is used to set the times for the programming modes. The current time will not be lost during programming.

Each channel is capable of saving up to two separate ON/OFF program settings. The possible program settings are: 2-Group A, or 2-Group B, or 1-Group A and 1-Group B.

Pushing the PROGRAM button enters the program mode and allows the user to set up ON and OFF times for each switch (the DIM button is not available for programming).

1. Choose Group A or B depending on which channel will be programmed.
2. Press PROGRAM button. The LED next to the PROGRAM button will light and the Mode 1 LED will light. Note: Pressing the program button repeatedly will toggle modes. The sequence is Program MODE OFF, MODE 1, MODE 2, repeat.
3. The hour display will highlight. Press the LEFT or RIGHT arrow buttons to adjust the hour.
4. Press the SELECT button. The minute will highlight.
5. Press the LEFT or RIGHT arrow buttons to adjust the minute.
6. When the desired ON time is displayed press the ON button located by the channel number desired (between 1 and 8). The ON time is now programmed (the Group Indicator will Flash when the ON time has been saved).
7. Press the LEFT or RIGHT arrow buttons to adjust the minute.
8. Press the SELECT button. The hour will highlight.
9. Press the LEFT or RIGHT arrow buttons to adjust the hour.

10. When the desired OFF time is displayed press the OFF button located by the same channel number as above. The OFF time is now programmed (the Group Indicator will Flash when the OFF time has been saved).

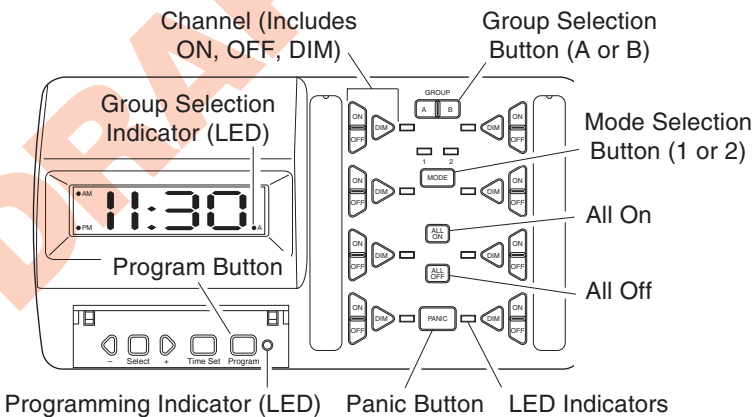
- To save additional ON/OFF programs for other switches within the same group and the same MODE, repeat the above steps using a different channel for each additional program.
- To save an additional ON/OFF program for the same channel within the same group but a different MODE, press the PROGRAM button. The LED above Mode 2 will light. Repeat above steps to program additional ON/OFF times.
- To save an additional ON/OFF program for the same channel but using Group B, press the PROGRAM button until the PROGRAM LED turns off. Press the Group B button. Repeat the above steps using a different MODE setting than the first program to set the second ON/OFF program.
- To exit PROGRAM mode, press the PROGRAM button until the LED indicator turns off.

Note: The 12/24 hour setting can not be changed while programming channels.

- To change any programmed channel to a new ON/OFF time, repeat the above steps for the channel you wish to change.

- To erase a programmed channel so it is not activated when a programmed mode is selected, set both the ON and OFF times to the same setting.

To activate the programmed channels, press the MODE button to display MODE 1, MODE 2, or both MODE LED's depending on the programmed channels you want activated. (See MODE button description.)



Programming Control Panel

Specifications

Range Up to 100 feet (30.5 m)
 Rated Voltage 9 VDC
 Battery Backup 9 VDC Rechargeable

Troubleshooting Guide

SYMPTOM	POSSIBLE CAUSE	POSSIBLE CAUSE
Controller does not come on.	1. Circuit breaker or fuse is turned off. Power supply not plugged in. 2. Switch on device is turned off. Power supply is defective.	1. Turn circuit breaker or fuse on. Plug in power supply. 2. Turned switch on. Try another power supply.
Controller does not retain settings in a power failure.	1. Backup battery is not installed.	1. Install rechargeable 9V battery. Replace defective 9V rechargeable battery.
Controller will not operate receiver.	1. Dip switch settings on receiver do not match controller. 2. Wrong group is selected.	1. Check dip switch settings on receiver. 2. Verify correct group is selected.

Technical Service

(Do Not Send Products)

If you experience a problem, follow this guide. You may also want to visit our Web site at: www.desatech.com. If the problem persists, call* for assistance at 1-800-858-8501, 7:30 AM to 4:30 PM CST (M-F). You may also write* to:

DESA International, Inc.

P.O. Box 90004, Bowling Green, KY 42102-9004

ATTN: Technical Service Specialty Products

* If contacting Technical Service, please have the following information available: Model Number, Date of Purchase, and Place of Purchase.

No Service Parts Available for this Product

Regulatory Information

This device complies with Part 15 of the FCC Rules and RSS-210 of Industry Canada. Operation is subject to the following two conditions: (1) this device may not cause harmful interference, and (2) this device must accept any interference received, including interference that may cause undesired operation.

The term "IC:" before the radio certification number only signifies that Industry Canada technical specifications were met.

The user is cautioned that changes or modifications not expressly approved by the party responsible for regulatory compliance could void the user's authority to operate the equipment.

YOUR HEATH®/ZENITH TWO YEAR LIMITED WARRANTY

This is a "Limited Warranty" which gives you specific legal rights. You may also have other rights which vary from state to state or province to province.

For a period of two years from the date of purchase, any malfunction caused by factory defective parts or workmanship will be corrected at no charge to you.

Batteries are not covered. To obtain a refund or a replacement, return the product to the place of purchase.

Not Covered - Repair service, adjustment and calibration due to misuse, abuse or negligence, light bulbs and other expendable items are not covered by this warranty. Unauthorized service or modification of the product or of any furnished component will void this warranty in its entirety. This warranty does not include reimbursement for inconvenience, installation, setup time, loss of use, or unauthorized service.

This warranty covers only Heath®/Zenith assembled products and is not extended to other equipment and components that a customer uses in conjunction with our products.

THIS WARRANTY IS EXPRESSLY IN LIEU OF ALL OTHER WARRANTIES, EXPRESS OR IMPLIED, INCLUDING ANY WARRANTY, REPRESENTATION OR CONDITION OF MERCHANT ABILITY OR THAT THE PRODUCTS ARE FIT FOR ANY PARTICULAR PURPOSE OR USE, AND SPECIFICALLY IN LIEU OF ALL SPECIAL, INDIRECT, INCIDENTAL, OR CONSEQUENTIAL DAMAGES.

REPAIR OR REPLACEMENT SHALL BE THE SOLE REMEDY OF THE CUSTOMER AND THERE SHALL BE NO LIABILITY ON THE PART OF DESA FOR ANY SPECIAL, INDIRECT, INCIDENTAL, OR CONSEQUENTIAL DAMAGES, INCLUDING BUT NOT LIMITED TO ANY LOSS OF BUSINESS OR PROFITS, WHETHER OR NOT FORESEEABLE. Some states or provinces do not allow the exclusion or limitation of incidental or consequential damages, so the above limitation or exclusion may not apply to you. Retain receipt for warranty claims.

DESA International reserves the right to discontinue products and to change specifications at any time without incurring any obligation to incorporate new features in products previously sold.