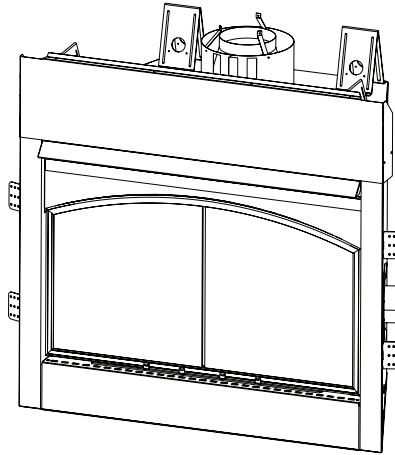


Models:
GB4336, GB4336L,
GB4336I, GB4336IL,
GB4942, GB4942L,
GB4942I, GB4942IL
B-Vent Gas Appliance



CAUTION

DO NOT DISCARD THIS MANUAL

- Important operating and maintenance instructions included.

- Read, understand and follow these instructions for safe installation and operation.

- Leave this manual with party responsible for use and operation.

WARNING

If the information in these instructions is not followed exactly, a fire may result causing property damage, personal injury, or death.

- Do not store or use gasoline or other flammable vapors and liquids in the vicinity of this or any other appliance.
- **What to do if you smell gas:**
 - Do not try to light any appliance.
 - Do not touch any electrical switch. Do not use any phone in your building.
 - Immediately call your gas supplier from a neighbor's phone. Follow the gas supplier's instructions.
 - If you cannot reach your gas supplier, call the fire department.
- Installation and service must be performed by a qualified installer, service agency, or the gas supplier.

WARNING

HOT! DO NOT TOUCH. SEVERE BURNS MAY RESULT. CLOTHING IGNITION MAY RESULT.

Glass and other surfaces are hot during operation and cool down.

- Keep children away.
- CAREFULLY SUPERVISE children in same room as appliance.
- Alert children and adults to hazards of high temperatures.
- Do NOT operate with protective barriers removed or door open.
- Keep clothing, furniture, draperies and other combustibles away.

In the Commonwealth of Massachusetts:

- installation must be performed by a licensed plumber or gas fitter.
- a CO detector shall be installed in the room where the appliance is installed.

Installation and service of this appliance should be performed by qualified personnel. Hearth & Home Technologies suggests NFI certified or factory-trained professionals, or technicians supervised by an NFI certified professional.

This appliance may be installed as an OEM installation in manufactured home (USA only) or mobile home and must be installed in accordance with the manufacturer's instructions and the manufactured home construction and safety standard, **Title 24 CFR, Part 3280** or **Standard for Installation in Mobile Homes, CAN/CSA Z240MH**.

This appliance is only for use with the type(s) of gas indicated on the rating plate.

**Read this manual before installing or operating this appliance.
Please retain this owner's manual for future reference.**

Congratulations

Congratulations on selecting a Heatilator gas appliance—an elegant and clean alternative to wood burning appliances. The Heatilator gas appliance you have selected is designed to provide the utmost in safety, reliability, and efficiency.

As the owner of a new appliance, you'll want to read and carefully follow all of the instructions contained in this owner's manual. Pay special attention to all cautions and warnings.

This owner's manual should be retained for future reference. We suggest you keep it with your other important documents and product manuals.

The information contained in this owner's manual, unless noted otherwise, applies to all models and gas control systems.

Your new Heatilator gas appliance will give you years of durable use and trouble-free enjoyment. Welcome to the Heatilator family of appliance products!

Homeowner Reference Information	<i>We recommend that you record the following pertinent information about your appliance:</i>
Model Name: _____	Date purchased/installed: _____
Serial Number: _____	Location on appliance: _____
Dealership purchased from: _____	Dealer phone: _____
Notes: _____	

Listing Label Information/Location

The model information regarding your specific appliance can be found on the rating plate located in the control area of the appliance.

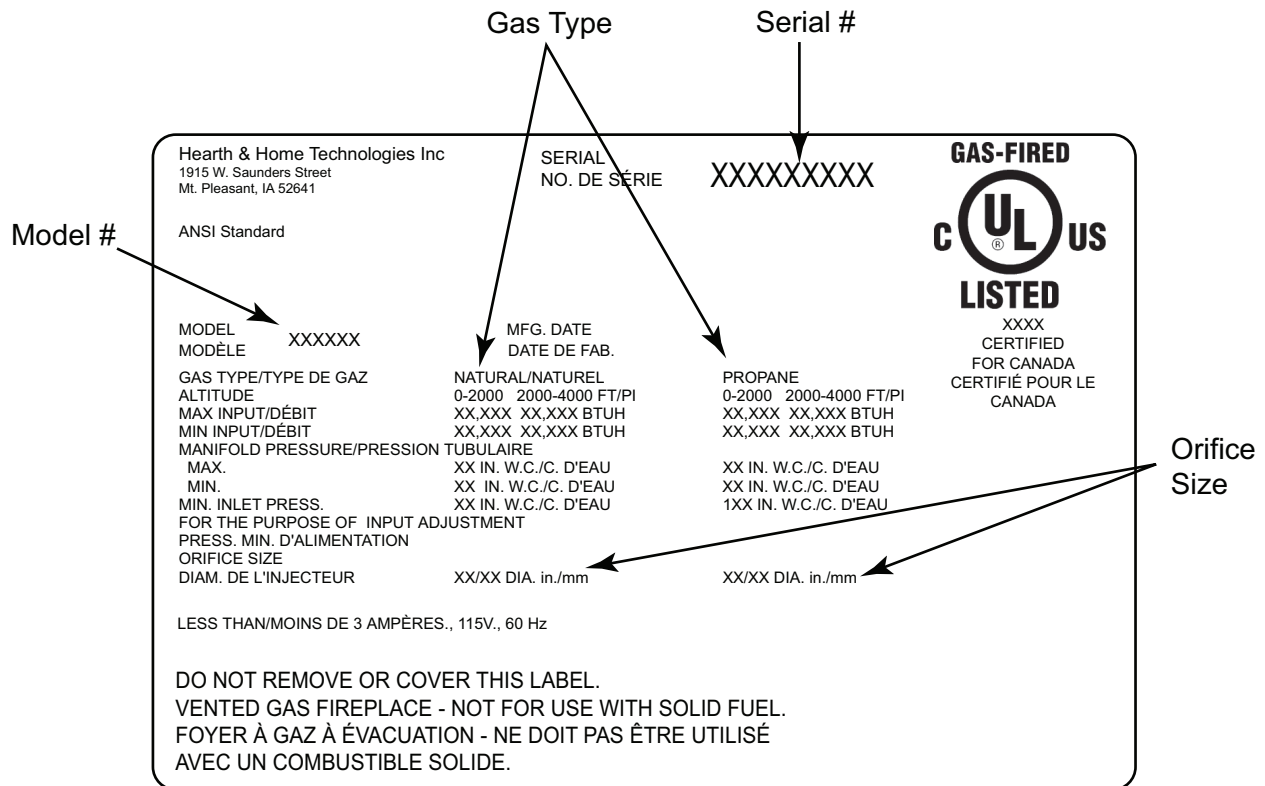


Table of Contents

1 Listing and Code Approvals	4	10 Electrical Information	21
A. Appliance Certification	4	A. Recommendation for Wire	21
B. Glass Specifications	4	B. Connecting to the Appliance	21
C. BTU Specifications	4	C. Intellifire Ignition System Wiring	21
D. High Altitude Installations	4	D. Standing Pilot Ignition System Wiring	22
E. Non-Combustible Materials	4	E. Junction Box Installation	23
F. Combustible Materials	4		
2 Getting Started	5	11 Finishing	24
A. Design and Installation Considerations	5	A. Mantel Projections	24
B. Negative Pressure	6	B. Facing Material	24
C. Tools and Supplies Needed	7		
D. Inspect the Appliance and Components	7	12 Appliance Setup	25
3 Framing and Clearances	8	A. Remove the Shipping Materials	25
A. Select Appliance Location	8	B. Clean the Appliance	25
B. Construct the Appliance Chase	9	C. Accessories	25
C. Clearances	10	D. Install the Refractory	25
D. Mantel Projections	11	E. Lava Rock, Vermiculite, Rockwool Placement	25
4 Termination Locations	12	F. Log Removal/Replacement	26
A. Vent Termination Minimum Clearances	12	G. Glass Doors	27
5 Vent Information and Diagrams	13	H. Hood	27
A. Vent Guidelines	13	I. Air Shutter Setting	27
B. Vent System Configuration	13		
6 Vent Clearances and Framing	15	13 Operating Instructions	28
A. Pipe Clearances to Combustibles	15	A. Before Lighting Appliance	28
B. Wall Penetration Framing	15	B. Check Appliance Draft	29
C. Vertical Penetration Framing	15	C. High Limit Safety Switch	29
7 Appliance Preparation	16	D. Lighting the Appliance	30
A. Installing Outside Air Kit Damper Assembly	16	E. After the Appliance is Lit	32
B. Gas and Electrical Connections	17	F. Frequently Asked Questions	32
C. Securing and Leveling Appliance	17		
8 Installing Vent Pipe	18	14 Troubleshooting	33
A. Assemble Vent Sections	18	A. Standing Pilot Ignition System	33
B. Attach Vent to Firebox Assembly	18	B. Intellifire Ignition System	35
C. Securing Vent Sections	18		
9 Gas Information	19	15 Maintaining and Servicing the Appliance	37
A. Fuel Conversion	19		
B. Gas Pressure	19	16 Reference Materials	39
C. Gas Connection	19	A. Appliance Dimension Diagram	39
D. High Altitude Installations	20	B. Service Parts List	40
		C. Optional Components	48
		D. Limited Lifetime Warranty	51
		E. Contact Information	52

Note: An arrow (➔) found in the text signifies change in content.

1 Listing and Code Approvals

A. Appliance Certification

MODELS: GB4336/GB4942 Series
LABORATORY: Underwriters Laboratories, Inc. (UL)
TYPE: B-Vent Gas Appliance
STANDARD: **ANSI Z21.50-2000/CSA 2.33-2000, IR41, P4 and IR55**

This product is listed to ANSI standards for “Vented Gas Fireplaces” and “Gas Fired Appliances for Use at High Altitudes”.

This model (natural gas and propane) can be installed in a bedroom (in the United States) which has a total volume of unconfined space appropriate to the particular installation. Refer to the **National Fuel Gas Code ANSI Z223.1/NFPA54 (current edition), The Uniform Mechanical Code - (current edition)**, and local building officials for the options allowed in obtaining an effective bedroom volume of unconfined space.

This model (natural gas and propane) can be installed in a bedroom (in Canada) if a thermostat is installed with the appliance. Consult local code authorities.

NOT INTENDED FOR USE AS A PRIMARY HEAT SOURCE. This appliance is tested and approved as either supplemental room heat or as a decorative appliance. It should not be factored as primary heat in residential heating calculations.

B. Glass Specifications

Hearth & Home Technologies appliances manufactured with tempered glass may be installed in hazardous locations such as bathtub enclosures as defined by the Consumer Product Safety Commission (CPSC). The tempered glass has been tested and certified to the requirements of **ANSI Z97.1** and **CPSC 16 CFR 1202** (Safety Glazing Certification Council **SGCC# 1595** and **1597**. Architectural Testing, Inc. Reports **02-31919.01** and **02-31917.01**).

This statement is in compliance with **CPSC 16 CFR Section 1201.5** “Certification and labeling requirements” which refers to **15 U.S. Code (USC) 2063** stating “...Such certificate shall accompany the product or shall otherwise be furnished to any distributor or retailer to whom the product is delivered.”

Some local building codes require the use of tempered glass with permanent marking in such locations. Glass meeting this requirement is available from the factory. Please contact your dealer or distributor to order.

Note: Glass doors are **not** optional in the Commonwealth of Massachusetts. They are required.

Note: This installation must conform with local codes. In the absence of local codes you must comply with the **National Fuel Gas Code, ANSI Z223.1-latest edition** in the U.S.A. and the **CAN/CGA B149 Installation Codes** in Canada.

C. BTU Specifications

Geneva	4336 Series	4942 Series
Input Rate (NG)	34,000 BTU/hr.	36,000 BTU/hr.
Input Rate (LP)	34,000 BTU/hr.	36,000 BTU/hr.
Orifice Size (LP)	#52	#51
Orifice Size (NG)	#35	#32

D. High Altitude Installations

U.L. Listed gas appliances are tested and approved without requiring changes for elevations from 0 to 2000 feet in the U.S.A. and Canada.

When installing this appliance at an elevation above 2000 ft, it may be necessary to decrease the input rating by changing the existing burner orifice to a smaller size. Input rate should be reduced by 4% for each 1000 ft above a 2000 ft elevation in the U.S.A., or 10% for elevations between 2000 and 4500 ft in Canada. If the heating value of the gas has been reduced, these rules do not apply. To identify the proper orifice size, check with the local gas utility.

If installing this appliance at an elevation above 4500 ft (in Canada), check with local authorities.

WARNING

Do NOT use this appliance if any part has been under water. Immediately call a qualified service technician to inspect the appliance and to replace any part of the control system and any gas control which has been under water.

E. Non-Combustible Materials

Materials that are reported as passing **ASTM E 136, Standard Test Method for Behavior of Materials in a Vertical Tube Furnace at 750° C**, shall be considered non-combustible materials.

F. Combustible Materials

Materials made of or surfaced with wood, compressed paper, plant fibers, plastics, or other material that can ignite and burn, whether flame proofed or not, or whether plastered or unplastered shall be considered combustible materials.

2 Getting Started

A. Design and Installation Considerations

Heatilator B-vent gas appliances are designed to operate with all exhaust gases expelled to the outside of the building, and combustion air pulled from the room.

CAUTION

Check building codes prior to installation.

- Installation **MUST** comply with local, regional, state and national codes and regulations.
- Consult insurance carrier, local building, fire officials or authorities having jurisdiction about restrictions, installation inspection, and permits.

When planning an appliance installation, it's necessary to determine the following information before installing:

- Where the appliance is to be installed. **See Section 3.**
- The vent system configuration to be used. **See Sections 4 and 5.**
- Gas supply piping. **See Section 9.**
- Electrical wiring. **See Sections 10**
- Framing and finishing details. **See Sections 3, 6 and 11.**
- Whether optional accessories—devices such as a fan, wall switch, or remote control—are desired. **See Section 10.**




WARNING

Keep appliance dry.

- Mold or rust may cause odors.
- Water may damage controls.



B. Negative Pressure

⚠ WARNING	
	Asphyxiation Risk <ul style="list-style-type: none">• Negative pressure can cause spillage of combustion fumes and soot.• Fire needs to draft properly for safe operation.

Draft is the pressure difference needed to vent fireplaces successfully. Considerations for successful draft include:

- Preventing negative pressure.
- Location of fireplace and chimney.

Negative Pressure

Negative pressure results from the imbalance of air available for the fireplace to operate properly. Causes for this imbalance include:

- Exhaust fans (kitchen, bath, etc.).
- Range hoods.
- Combustion air requirements for furnaces, water heaters and other combustion appliances.
- Clothes dryers.
- Location of return-air vents to furnace or air conditioning.
- Imbalances of the HVAC air handling system.
- Upper level air leaks (recessed lighting, attic hatch opening, duct leaks).

To minimize the effects of negative air pressure, the following must be considered:

- Install the outside air kit. Install the intake on the side of the house towards prevailing winds during the heating season.
- Ensure adequate outdoor air is supplied for combustion appliances and exhaust equipment.
- Ensure furnace and air conditioning return vents are not located in the immediate vicinity of the fireplace.
- Avoid installing the fireplace near doors, walkways or small isolated spaces.
- Recessed lighting should be a “sealed can” design; attic hatches weather stripped or sealed; attic mounted duct work and air handler joints and seams taped or sealed.
- Basement installations should be avoided due to stack effect. Stack effect creates negative pressure in lower levels. Hearth & Home Technologies recommends the use of direct vent fireplaces in basements.

Location of the fireplace and chimney will affect performance. As shown in Figure 2.1 the chimney should:

- Be installed through the warm airspace enclosed by the building envelope. This helps to produce more draft, especially during lighting and die-down of the fire.
- Penetrate the highest part of the roof. This minimizes the effects of wind turbulence.
- Be located away from trees, adjacent structures, uneven roof lines and other obstructions.

Offsets can restrict draft so their use should be minimized. Consider the fireplace location relative to floor and ceiling and attic joists.

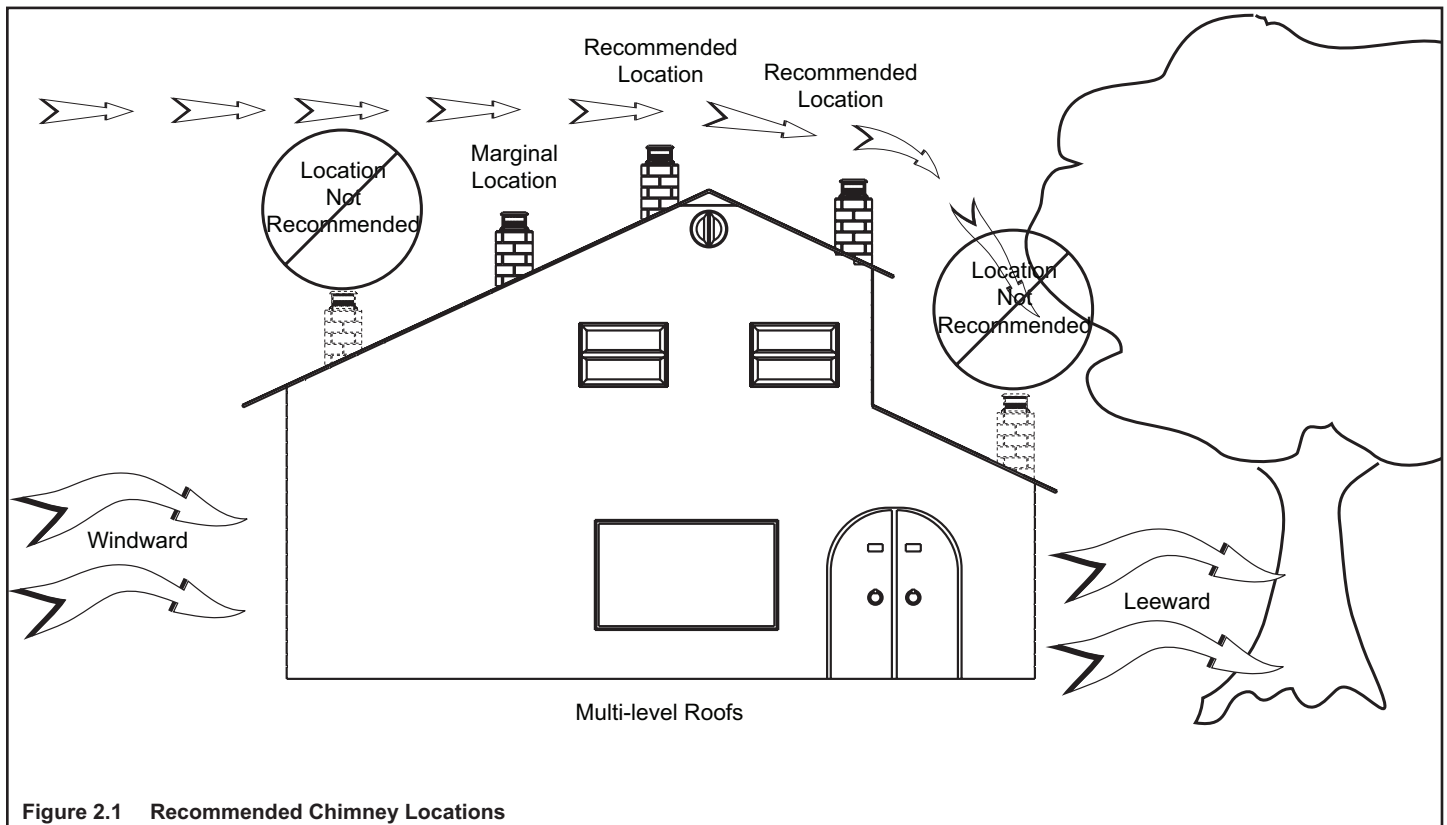




Figure 2.1 Recommended Chimney Locations

C. Tools and Supplies Needed

Before beginning the installation be sure that the following tools and building supplies are available.

- | | |
|---|-----------------------------------|
| Reciprocating saw | Framing material |
| Pliers | Hi temp caulking material |
| Hammer | Gloves |
| Phillips screwdriver | Framing square |
| Flat blade screwdriver | Electric drill and bits (1/4 in.) |
| Plumb line | Safety glasses |
| Level | Manometer |
| Voltmeter | Tape measure |
| Non-corrosive leak check solution | |
| 1/2 - 3/4 in. length, #6 or #8 Self-drilling screws | |
| One 1/4 in. female connection (for optional fan). | |

D. Inspect the Appliance and Components

	⚠ WARNING
	Inspect appliance and components for damage. Damaged parts may impair safe operation.
	<ul style="list-style-type: none"> • Do NOT install damaged components. • Do NOT install incomplete components. • Do NOT install substitute components.
	Report damaged parts to dealer.

The following B-vent components are needed for installation. See Figure 2.2.

- Appliance
- Pipe components
- Firestops
- Attic insulation shield
- Elbows
- Strapping
- Roof flashing or chase top
- Termination cap
- Storm Collar
- Carefully remove the appliance and components from the packaging.
- The vent system components and trim doors are shipped in separate packages.
- The gas logs may be packaged separately and must be field installed.
- Report to your dealer any parts damaged in shipment, particularly the condition of the glass.
- **Read all of the instructions before starting the installation. Follow these instructions carefully during the installation to ensure maximum safety and benefit.**

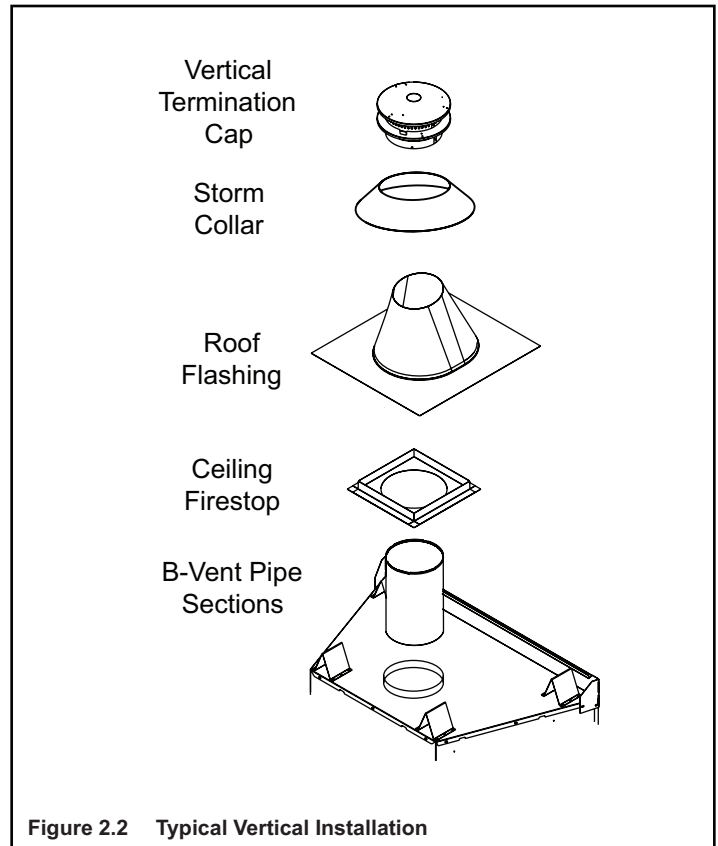



Figure 2.2 Typical Vertical Installation

	⚠ WARNING
	Hearth & Home Technologies disclaims any responsibility for, and the warranty will be voided by, the following actions:
	<ul style="list-style-type: none"> • Installation and use of any damaged appliance or vent system component. • Modification of the appliance or vent system. • Installation other than as instructed by Hearth & Home Technologies. • Improper positioning of the gas logs or the glass door. • Installation and/or use of any component part not approved by Hearth & Home Technologies.
	Any such action may cause a fire hazard.

3 Framing and Clearances

Note:

- Illustrations reflect typical installations and are FOR DESIGN PURPOSES ONLY.
- Illustrations/diagrams are not drawn to scale.
- Actual installation may vary due to individual design preference.

WARNING

Fire Risk

Provide adequate clearance:

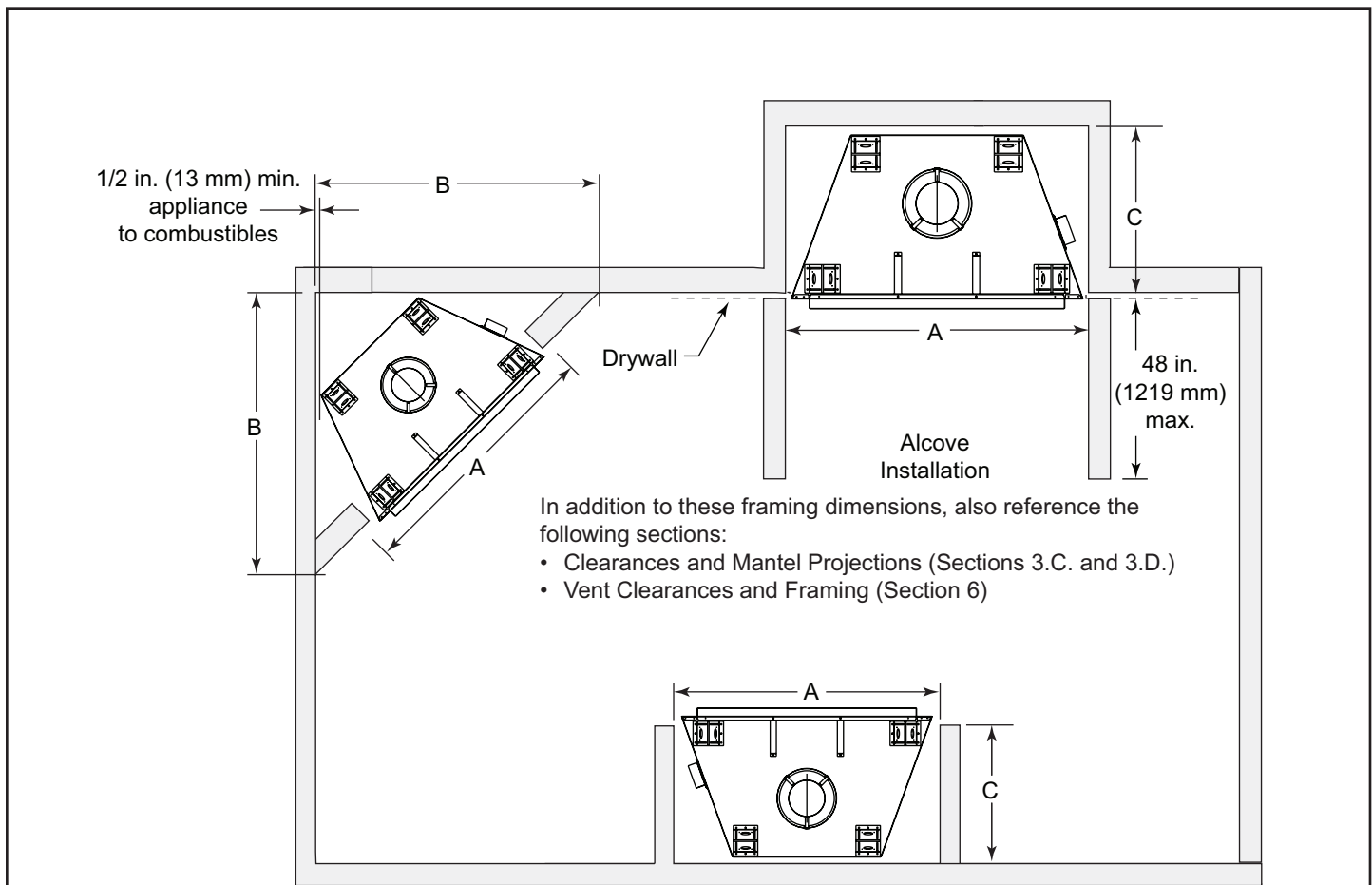
- Around air openings.
- For service access.

Locate appliance away from traffic areas.

A. Select Appliance Location

When selecting a location for your appliance it is important to consider the required clearances to walls (See Figure 3.1).

Note: For actual appliance dimensions refer to Section 16.



Model #		A	B	C
4336 Series	<i>in.</i>	43	51-3/4	24
	<i>mm</i>	1092	1314	610
4942 Series	<i>in.</i>	49	56	24
	<i>mm</i>	1245	1422	610

Figure 3.1 Appliance Locations

B. Construct the Appliance Chase

A chase is a vertical boxlike structure built to enclose the gas appliance and/or its vent system. Vertical vents that run on the outside of a building may be, but are not required to be, installed inside a chase.

Construction of the chase may vary with the type of building. These instructions are not substitutes for the requirements of local building codes. Local building codes **MUST** be checked.

Chases should be constructed in the manner of all outside walls of the home to prevent cold air drafting problems. The chase should not break the outside building envelope in any manner.

Walls, ceiling, base plate and cantilever floor of the chase should be insulated. Vapor and air infiltration barriers should be installed in the chase as per regional codes for the rest of the home. Additionally, Hearth & Home Technologies recommends that the inside surfaces be sheetrocked and taped for maximum air tightness.

To further prevent drafts, gas line holes and other openings should be caulked with high temperature caulk or stuffed with unfaced insulation. If the appliance is being installed on a cement slab, we recommend that a layer of plywood be placed underneath to prevent conducting cold up into the room.



WARNING

Fire Risk

- Construct chase to all clearance specifications in manual.
- Locate and install appliance to all clearance specifications in manual.

C. Clearances

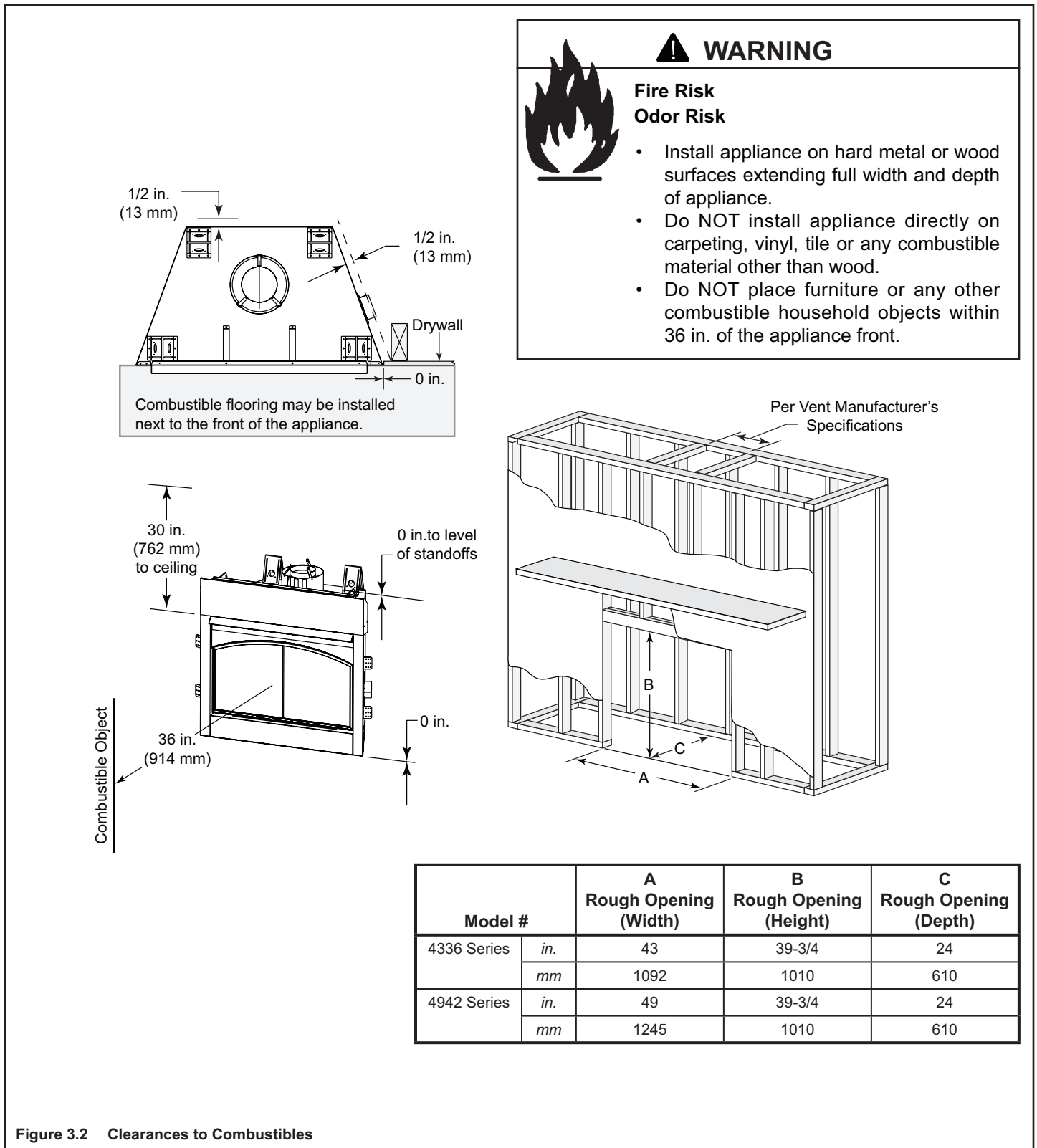
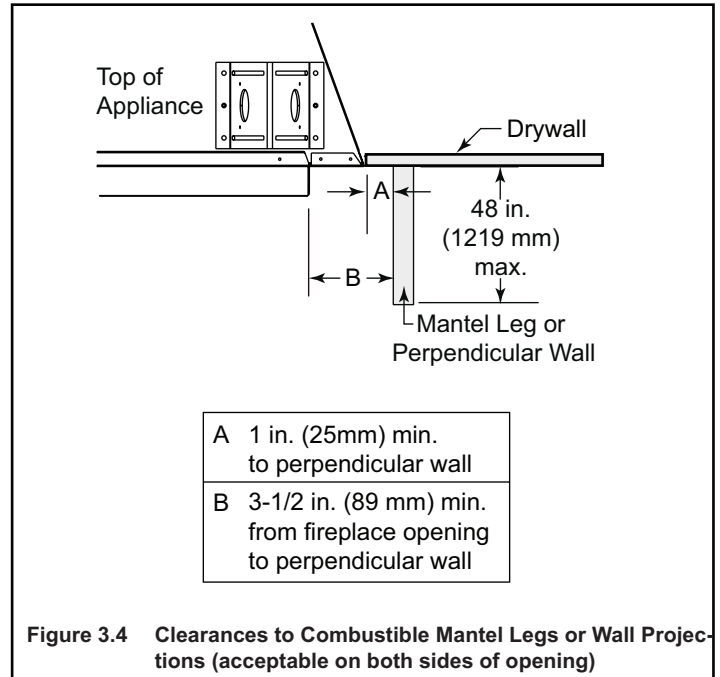
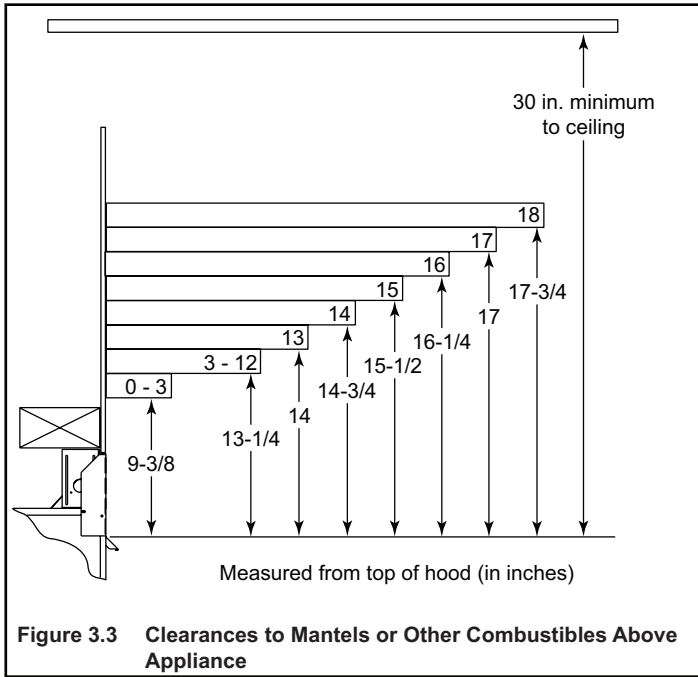


Figure 3.2 Clearances to Combustibles

D. Mantel Projections



4 Termination Locations

A. Vent Termination Minimum Clearances

Figure 4.1 specifies minimum vent heights for various pitched roofs.

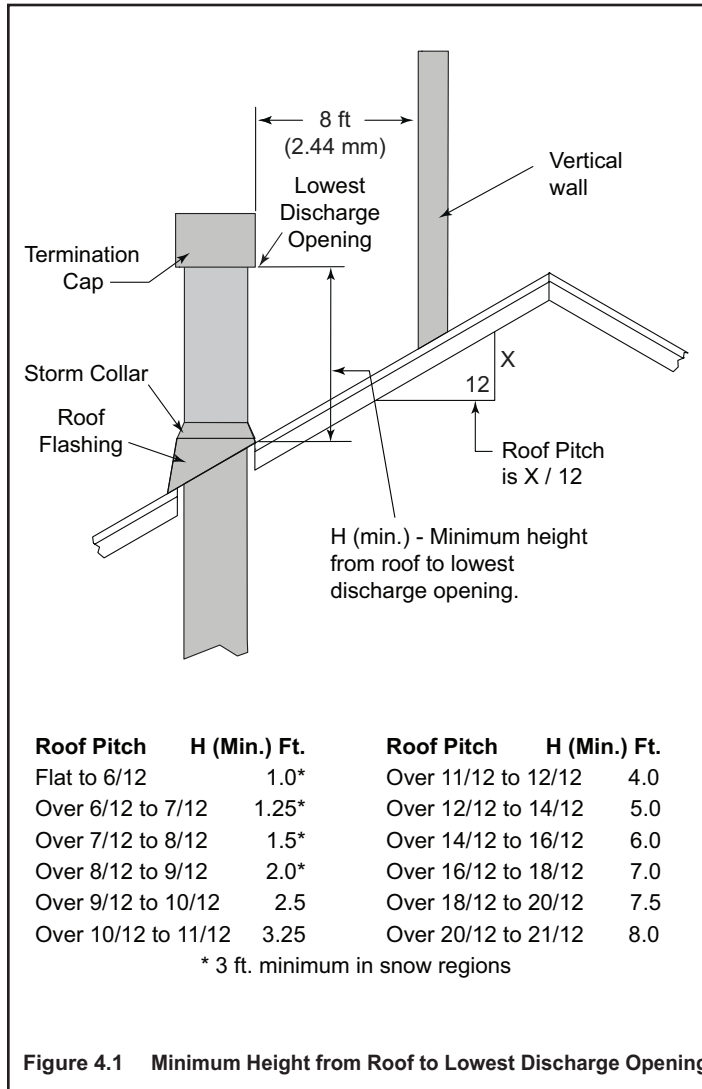


Figure 4.1 Minimum Height from Roof to Lowest Discharge Opening

WARNING

Fire Risk
Explosion Risk

Maintain vent clearance to combustibles as specified.

- Do not pack air space with insulation or other materials.

Failure to keep insulation or other materials away from vent pipe may cause fire.

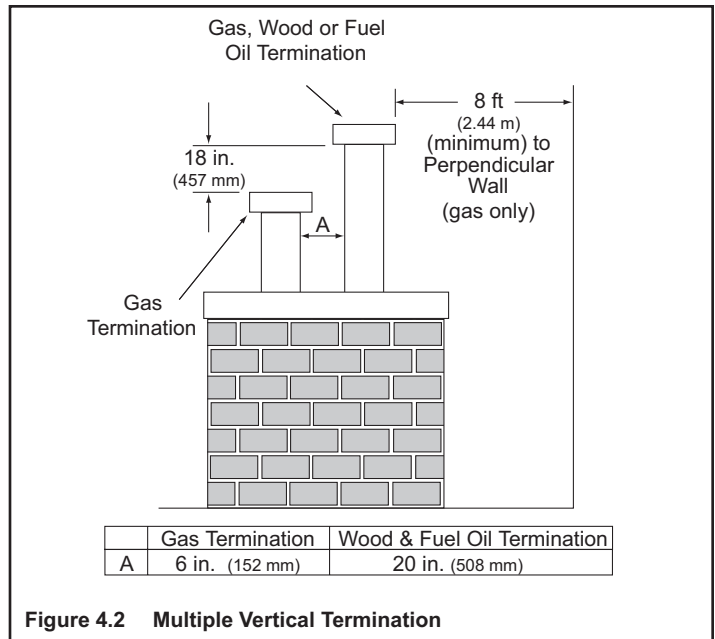




Figure 4.2 Multiple Vertical Termination

5 Vent Information and Diagrams




A. Vent Guidelines

	WARNING
	<p>Fire Risk Asphyxiation Risk</p> <p>This appliance requires the specified pipe for operation.</p> <ul style="list-style-type: none"> • Incorrect pipe may cause spillage, condensation and overheating.
	

These models require the following size B-Vent double wall vent pipe.

Model		Pipe Size
GB4336 Series	<i>in.</i>	6
	<i>mm</i>	152
GB4942 Series	<i>in.</i>	6
	<i>mm</i>	152

- Follow pipe manufacturer's installation guidelines when installing the appliance.

	WARNING
	<p>Fire Risk Explosion Risk Asphyxiation Risk</p> <p>Do NOT connect this gas appliance to a chimney flue serving a separate solid-fuel or gas burning appliance.</p> <ul style="list-style-type: none"> • Vent this appliance directly outside. • Use separate vent system for this appliance. <p>May impair safe operation of this appliance or other appliances connected to the flue.</p>
	
	

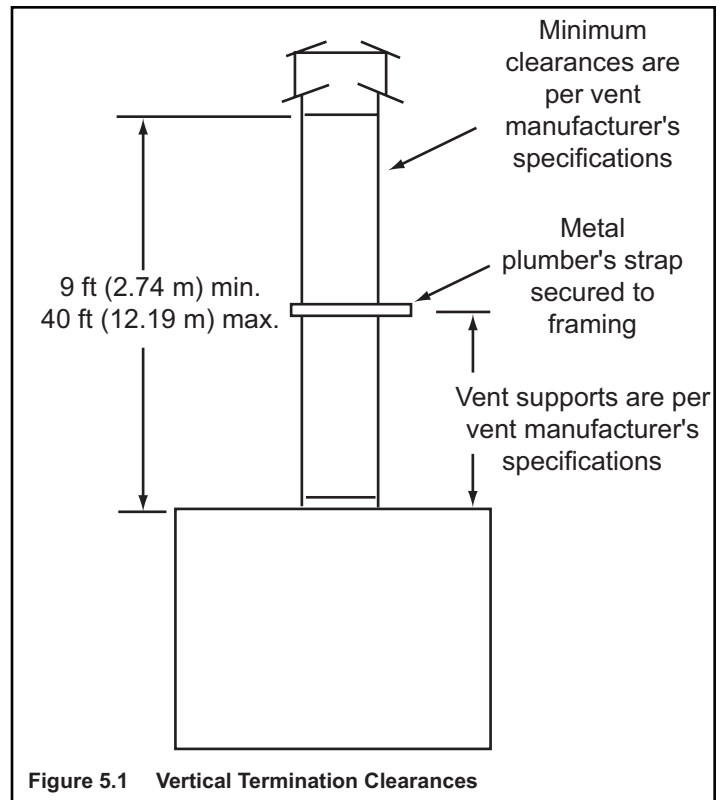
CAUTION

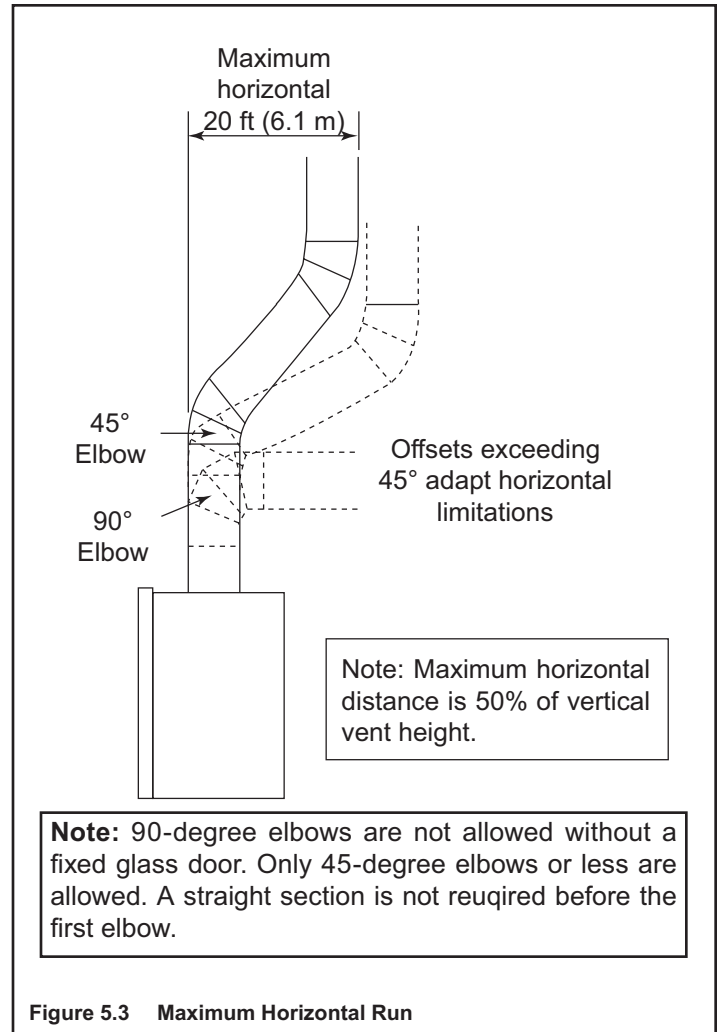
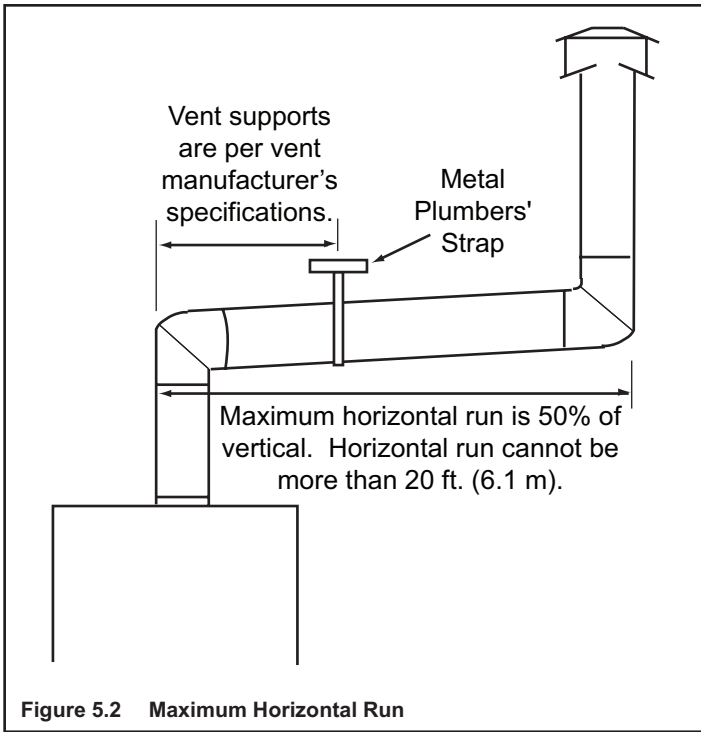
ALL vent configuration specifications MUST be followed.

- This product is tested and listed to appliance and vent manufacturer's specifications.
- Appliance performance will suffer if specifications are not followed.

B. Vent System Configuration

- Rise to Run Ratio: 2:1
- Maximum Total Horizontal Run: 20 ft
- Minimum Total Vertical Rise: 9 ft
- Maximum Total Vertical Rise: 40 ft
- Maximum Number of Elbows: Four 45°
- **Maximum Number of 90° Elbows: Four**
A maximum of four 90-degree elbows may be used on this appliance when used in conjunction with the fixed glass doors listed below:
 - DF361B/S
 - DF421B/S





⚠ WARNING

Fire Risk
Explosion Risk




Insulation and other combustibles must not infringe on clearances.

- ALWAYS maintain specified clearances around venting and firestop systems.
- Install firestops as specified.

Failure to keep insulation or other material away from vent pipe may cause fire.

6 Vent Clearances and Framing

A. Pipe Clearances to Combustibles

	WARNING
	Fire Risk
	Explosion Risk
	Maintain vent clearance to combustibles as specified.
	<ul style="list-style-type: none">• Do not pack air space with insulation or other materials.• National building codes recommend using attic shield to keep loose materials/insulation from contacting vent.
	Failure to keep insulation or other materials away from vent pipe may cause fire.

Follow vent pipe manufacturer's instructions for all clearances around pipe.

B. Wall Penetration Framing

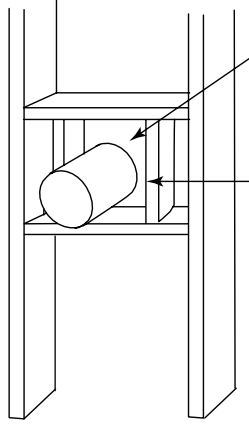
	Do not pack with insulation or other materials.
	Use manufacturer's installation instructions for framing dimensions




Figure 6.1 Exterior Wall Hole

For a wall penetration consult B-vent pipe manufacturer's instructions. Use same dimensional framing materials as those used in the wall construction.

Note: This appliance **MUST** terminate vertically.


C. Vertical Penetration Framing

Use B-vent manufacturer's firestops to provide adequate clearances.

	WARNING
	Fire Risk
	Keep loose materials or blown insulation from touching the vent pipe.
	<ul style="list-style-type: none">• National building codes recommend using attic shield to keep loose materials/insulation from contacting vent.• Hearth & Home Technologies requires the use of an attic shield.


7 Appliance Preparation

CAUTION




Sharp Edges

- Wear protective gloves and safety glasses during installation.




A. Installing Outside Air Kit Damper Assembly

WARNING



Fire Risk



Asphyxiation Risk

Maintain vent clearance to combustibles as specified.

- Do not pack air space with insulation or other materials.
- National building codes recommend using attic shield to keep loose materials/insulation from contacting vent.

Failure to keep insulation or other materials away from vent pipe may cause fire.


This appliance will operate correctly only if adequate ventilation is provided to allow proper draft to the system.

An outside air kit is available as an optional feature with this appliance. An outside air kit helps to decrease the amount of room air taken by utilizing outside air for combustion. We strongly recommend that it be installed.


Note: The outside air kit inlet thimble should be positioned in a manner that will not allow snow, leaves, etc. to block the inlet. A 3 ft. (.91 m) minimum height difference must be maintained from the top of the uppermost chimney section to the outside combustion air inlet. Reference Section 2.

- The outside air kit can only be installed on the left side of the appliance.
- Refer to the installation instructions provided with the kit.

WARNING



Fire Risk



Asphyxiation Risk

Do not draw outside combustion air from:

- Wall, floor or ceiling cavity.
- Enclosed space such as an attic or garage.
- Close proximity to exhaust vents or chimneys.

Fumes or odor may result.

CAUTION

Risk of Smoke Spillage

Outside air inlet must be located to prevent blockage from:

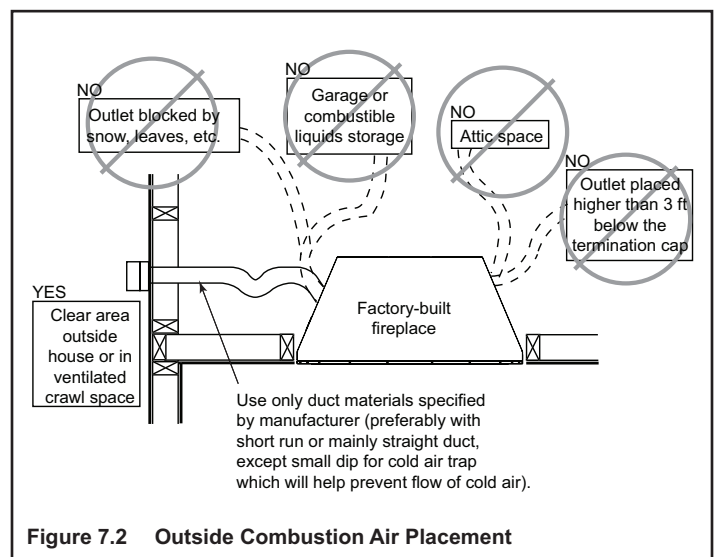
- Leaves
- Snow/ice
- Other debris

Blockage may cause combustion air starvation.



Figure 7.1 Outside Air Kit Handle Location


- Grasp the small black handle located on the side of the appliance. See Figure 7.1.
- Lift handle and pull towards front. Outside air door should open.
- Place handle in slot on bracket so outside air door remains open.
- When through burning appliance, grasp handle and push outside air door closed.



B. Gas and Electrical Connections

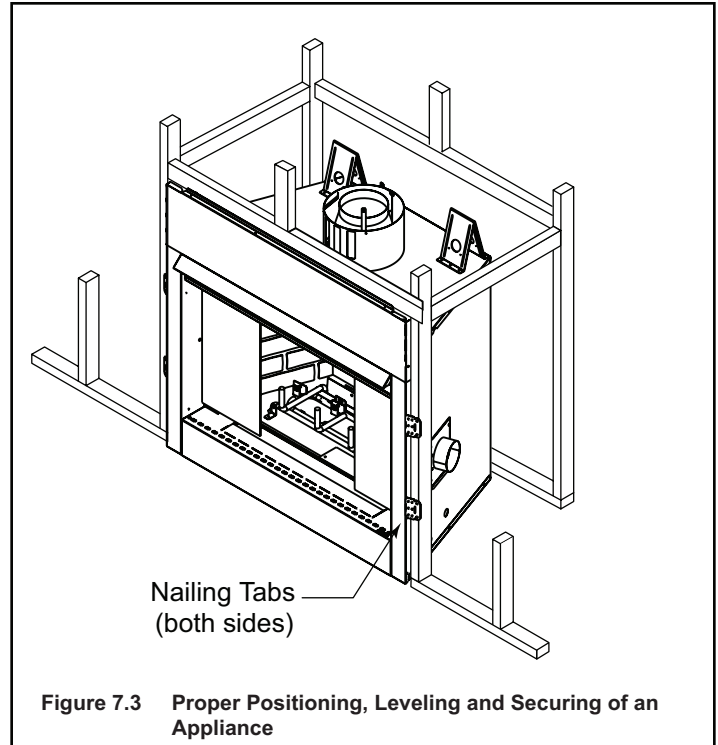
Ensure that gas and electrical connections are installed at this time. Refer to Sections 9 and 10.

C. Securing and Leveling Appliance

	⚠ WARNING
	Fire Risk!
	<ul style="list-style-type: none">• Prevent contact with sagging, loose insulation.• Do NOT install against combustible materials such as exposed insulation, plastic and insulation backer.

The diagram shows how to properly position, level, and secure the appliance (see Figure 7.3). Nailing tabs are provided to secure the appliance to the framing members.

- Place the appliance into position.
- Level the appliance from side to side and front to back.
- Shim the appliance as necessary. It is acceptable to use wood shims.
- Bend out nailing tabs on each side.
- Keep nailing tabs flush with the framing.
- Secure the appliance to the framing by using nails or screws through the nailing tabs.





CAUTION

Do NOT notch into the framing around the appliance spacers.

8 Installing Vent Pipe




A. Assemble Vent Sections

This B-Vent appliance requires 6 in. B-vent double-wall pipe. Follow the pipe manufacturer's installation guidelines when installing the appliance. This will ensure proper operation and prevent safety hazards.

	WARNING
	Fire Risk Exhaust Fumes Risk Impaired Performance of Appliance. <ul style="list-style-type: none">• Assemble pipe sections per B-Vent manufacturer's instructions.• Use support tabs for screws.• Pipe may separate if not properly joined.

C. Securing Vent Sections

Secure vent sections with vent supports following B-vent manufacturer's instructions.

	WARNING
	Fire Risk Explosion Risk Asphyxiation Risk
	Use vent run supports per vent manufacturer's installation instructions. Connect vent sections per vent manufacturer's installation instructions. <ul style="list-style-type: none">• Maintain all clearances to combustibles.• Maintain specified slope (if required). Improper support may allow vent to sag or separate.

B. Attach Vent to Firebox Assembly

Three tabs extend from appliance collar shield. Attach tabs to first section of B-vent pipe using self-tapping 1/4 in. screws supplied with appliance. See Figure 8.1.

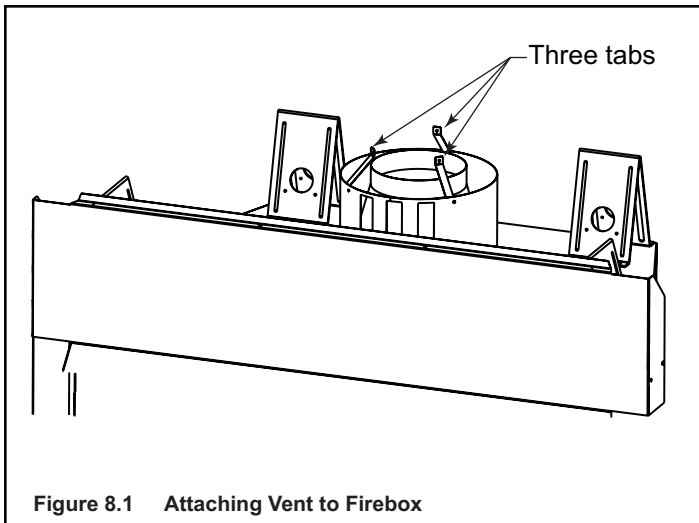


Figure 8.1 Attaching Vent to Firebox

9 Gas Information

A. Fuel Conversion

Before making gas connections ensure appliance being installed is compatible with the available gas type.

Any natural or propane gas conversions necessary to meet the appliance and locality needs must be made by a qualified technician using Hearth & Home Technologies specified and approved parts.

B. Gas Pressure

Proper input pressures are required for optimum appliance performance. Gas line sizing requirements need to be made following **NFPA51**.

WARNING

Fire Risk

Explosion Risk

High pressure will damage valve.

- Disconnect gas supply piping **BEFORE** pressure testing gas line at test pressures above 1/2 psig.
- Close the manual shutoff valve **BEFORE** pressure testing gas line at test pressures equal to or less than 1/2 psig.

WARNING

Fire Risk

Explosion Risk

Verify inlet pressures.

- High pressure may cause overfire condition.
- Low pressure may cause explosion.
- Verify minimum pressures when other household gas appliances are operating.

Install regulator upstream of valve if line pressure is greater than 1/2 psig.

Pressure requirements for appliance are shown in table below. Minimum pressures must be met when other household gas appliances are operating.

Pressure	Natural Gas	Propane
Minimum Inlet Pressure	5.0 in. w.c.	11.0 in. w.c.
Maximum Inlet Pressure	7.0 in. w.c.	14.0 in. w.c.
Manifold Pressure	3.5 in. w.c.	10.0 in. w.c.

C. Gas Connection

Note: Have the gas supply line installed in accordance with local building codes, if any. If not, follow **ANSI 223.1**. Installation should be done by a qualified installer approved and/or licensed as required by the locality. (In the Commonwealth of Massachusetts installation must be performed by a licensed plumber or gas fitter.)

Note: A listed (and Commonwealth of Massachusetts approved) 1/2 in. (13 mm) T-handle manual shut-off valve and flexible gas connector are connected to the 1/2 in. (13 mm) control valve inlet.

- If substituting for these components, please consult local codes for compliance.**

Refer to Reference Section 16 for location of gas line access in appliance.

Note: Gas line may be run from either side of appliance using one of the knockouts provided. Hole in outer shell NOT to exceed 2-1/2 in. and should never penetrate the firebox.

WARNING

Gas Leak Risk

- Support control when attaching pipe to prevent bending gas line.

Note: The gap between supply piping and gas access hole may be caulked with high temperature caulk or stuffed with non-combustible, unfaced insulation to prevent cold air infiltration.

- Ensure that gas line does not come in contact with outer wrap of appliance. Follow local codes.
- Incoming gas line should be piped into the valve compartment and connected to the 1/2 in. connection on the manual shutoff valve.




- A small amount of air will be in the gas supply lines. When first lighting appliance it will take a short time for air to purge from lines. When purging is complete the appliance will light and operate normally.





D. High Altitude Installations




U.L. listed gas appliances are tested and approved without requiring changes for elevations from 0 to 2000 ft in the USA and Canada.

When installing this appliance at an elevation above 2000 ft, it may be necessary to decrease the input rating by changing the existing burner orifice to a smaller size. Input rate should be reduced by 4% for each 1000 ft above a 2000 ft elevation in the U.S.A., or 10% for elevations between 2000 and 4500 ft in Canada. If the heating value of the gas has been reduced, these rules do not apply. To identify the proper orifice size, check with the local gas utility.

If installing this appliance at an elevation above 4500 ft (in Canada), check with local authorities.

 WARNING	
	Fire Risk
	Explosion Risk
	<ul style="list-style-type: none"> • Gas build-up during line purge may ignite. • Purge should be performed by qualified technician. • Ensure adequate ventilation. • Ensure there are no ignition sources such as sparks or open flames.

 WARNING	
	CHECK FOR GAS LEAKS
	Fire Risk
	Explosion Risk
	Asphyxiation Risk
	<ul style="list-style-type: none"> • Check all fittings and connections. • Do not use open flame. • After the gas line installation is complete, all connections must be tightened and checked for leaks with a commercially available, non-corrosive leak check solution. Be sure to rinse off all leak check solution following testing. <p>Fittings and connections may have loosened during shipping and handling.</p>

 WARNING	
	Fire Risk
	Explosion Risk
	Do NOT change the valve settings.
	<ul style="list-style-type: none"> • This valve has been preset at the factory. • Changing valve settings may result in fire hazard or bodily injury.

10 Electrical Information

A. Recommendation for Wire

This appliance requires 110-120 VAC to be wired to the junction box either for use of optional accessories (standing pilot ignition) or for proper operation of the appliance (Intellifire ignition). Refer to Figure 10.1 to determine if the appliance uses an Intellifire ignition system or standing pilot ignition system.

Open the control access panel to view wiring system and gas valve. If this appliance has a red or black ignitor button (as noted in Figure 10.1) this appliance has a standing pilot ignition system. If there is no red or black ignitor button, this appliance has an Intellifire ignition system.

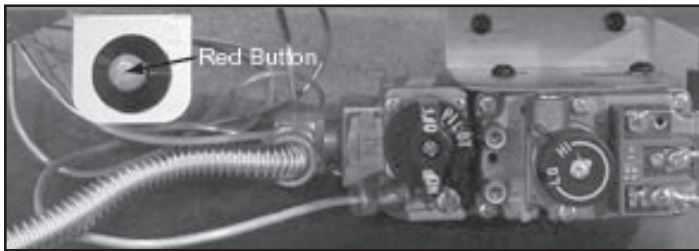



Figure 10.1 Ignitor Button

Note: This appliance must be electrically wired and grounded in accordance with local codes or, in the absence of local codes, with National Electric Code **ANSI/NFPA 70**-latest edition or the Canadian Electric Code, **CSA C221.1**.

B. Connecting to the Appliance

	⚠ WARNING
	<p>Shock Risk Explosion Risk</p> <p>Do NOT wire 110V to valve. Do NOT wire 110V to wall switch</p> <ul style="list-style-type: none"> • Incorrect wiring will damage millivolt values. • Incorrect wiring will override IPI safety lockout and may cause explosion.

- This appliance may be used with a wall switch, wall mounted thermostat and/or a remote control.
- If using thermostat use one compatible with a millivolt gas valve system.

- Follow parameters for locating thermostat (see individual thermostat instructions) to ensure proper operation of appliance.
- Use low resistance thermostat wire for wiring from ignition system to the wall switch and thermostat.
- Keep wire lengths short as possible by removing any excess wire length.
- Low voltage and 110 VAC voltage cannot be shared within the same wall box.

C. Intellifire Ignition System Wiring

This appliance requires a 110 VAC supply to the appliance junction box for operation. A wiring diagram is shown in Figure 10.2.

This appliance is equipped with an Intellifire control valve which operates on a 3 volt system.

This appliance is supplied with a battery pack and a 3 volt AC transformer, which requires the installation of the supplied junction box. It is highly recommended that the junction box be installed at this time to avoid reconstruction.


The battery pack requires two D cell batteries (not included). Batteries cannot be placed in the battery pack while using the 3 volt AC transformer. Conversely, the transformer must be unplugged if the battery pack is used.

CAUTION
<p>Battery polarity must be correct or module damage will occur.</p>

Optional Accessories Requirements

Wiring for optional accessories should be done now to avoid reconstruction.

CAUTION
<p>Label all wires prior to disconnection when servicing controls. Wiring errors can cause improper and dangerous operation. Verify proper operation after servicing.</p>

	⚠ CAUTION
	<p>Shock Risk</p> <ul style="list-style-type: none"> • Replace damaged wire with type 105° C rated wire. • Wire must have high temperature insulation.

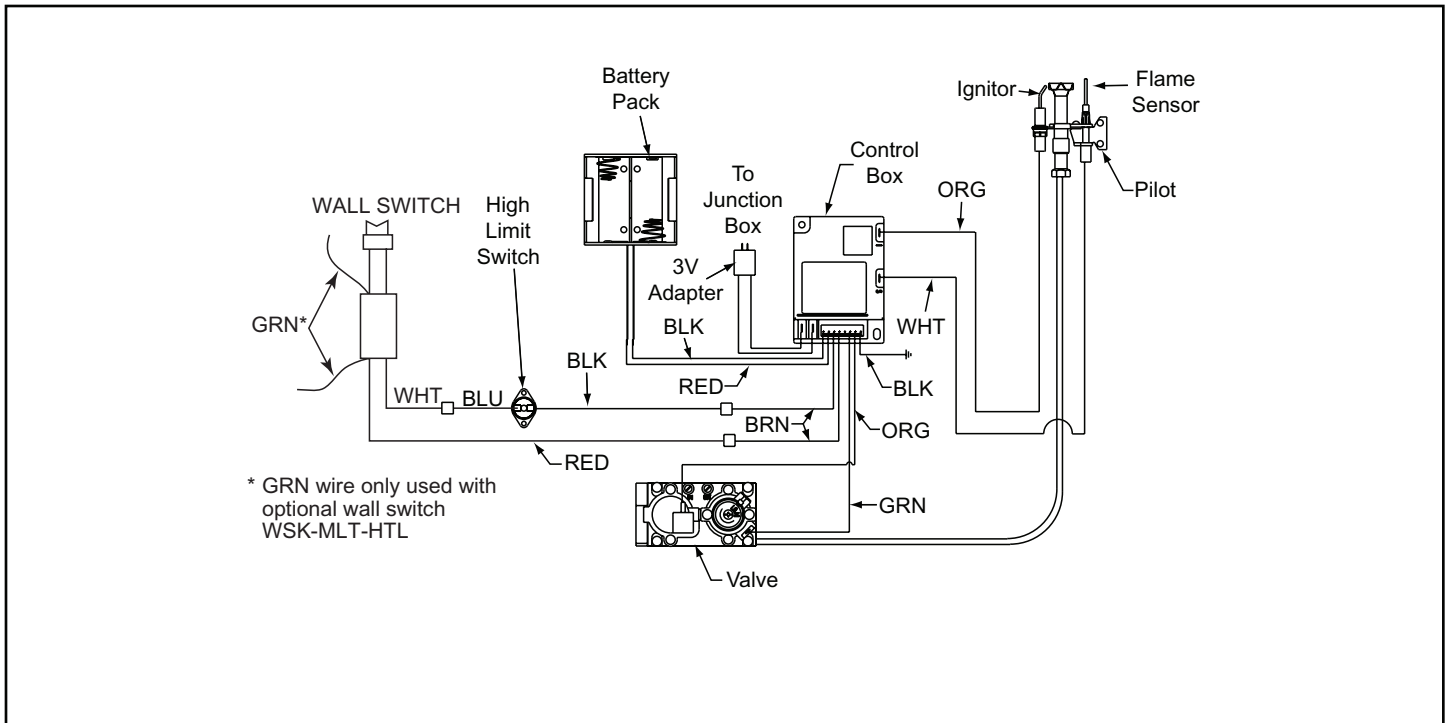


Figure 10.2 Intellifire Pilot Ignition (IPI) Wiring Diagram

D. Standing Pilot Ignition System Wiring

- This standing pilot ignition system wiring does not require a 110 VAC supply to operate. See Figure 10.3 for the wiring diagram.
- It is recommended that a 110 VAC junction box be installed for use with a fan or remote control. (See Figure 10.3 for junction box wiring.)

Optional Accessories Requirements

Wiring for optional accessories should be done now to avoid reconstruction.

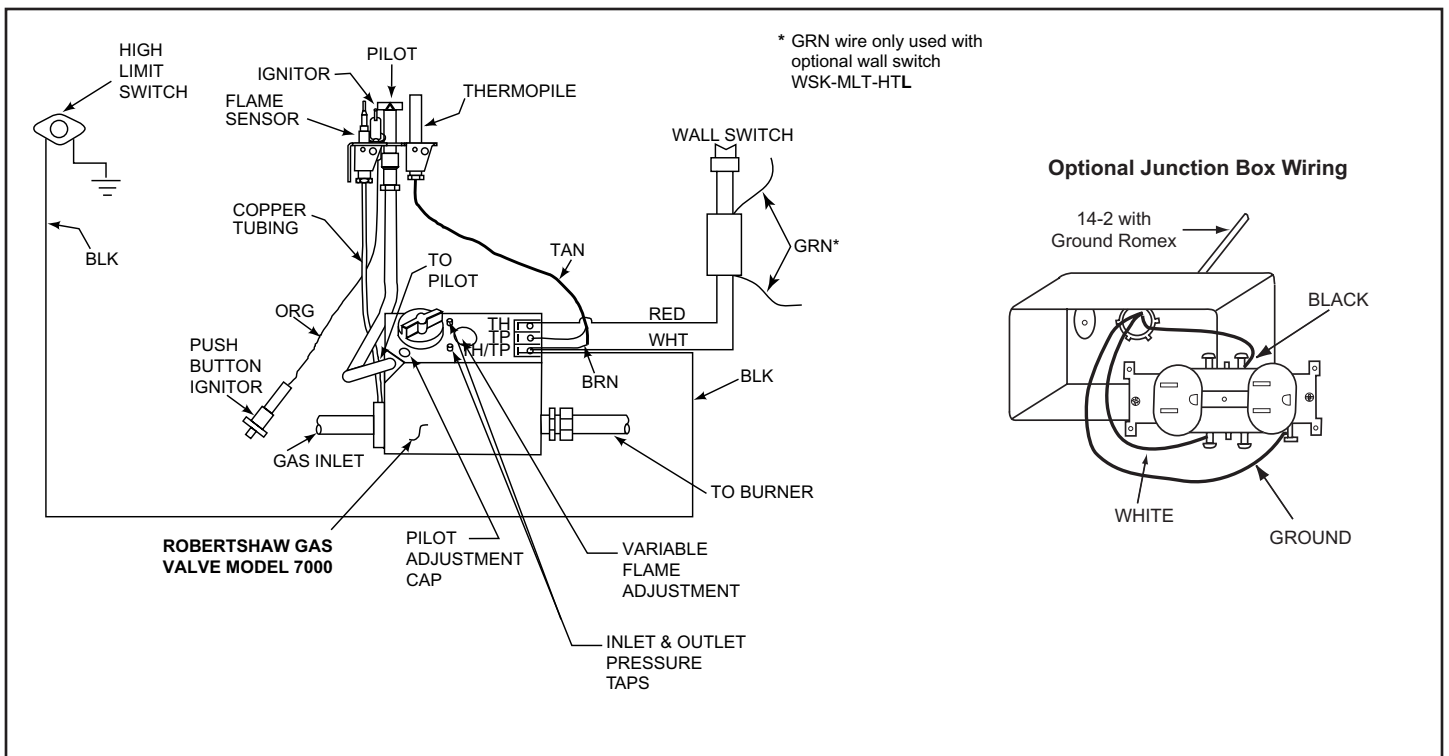


Figure 10.3 Standing Pilot Ignition Wiring Diagram

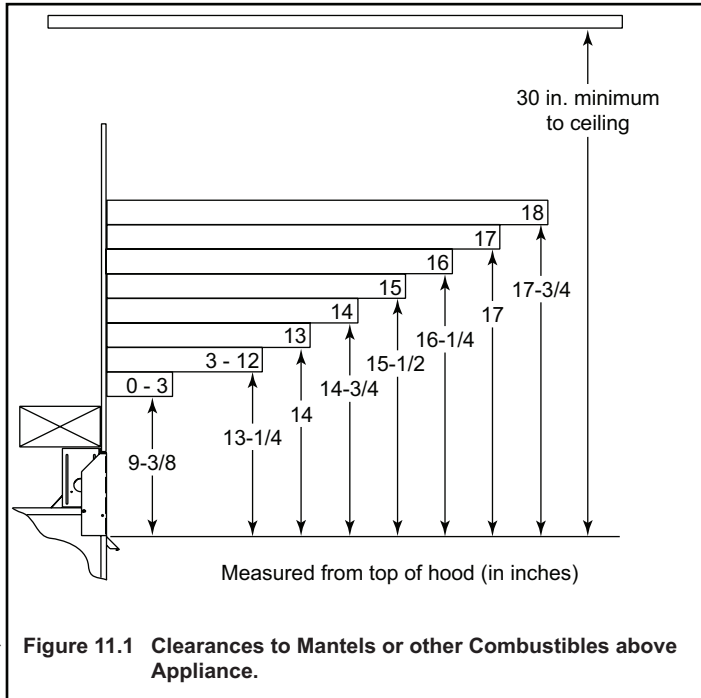
E. Junction Box Installation

- Remove the junction box assembly from the valve compartment.
- If the box is being wired from the OUTSIDE of the appliance;
 - Loosen two screws on the Romex connector, feed the necessary length of wire through the connector and tighten the screws.
 - Make all necessary wire connections to the receptacle and assemble the receptacle and cover to the junction box.
 - Attach the junction box assembly to the outside of the appliance with the two screws provided.
- If the box is being wired from the INSIDE of the appliance;
 - Pull the electrical wires from outside the appliance through this opening into the valve compartment.
 - Loosen the two screws on the Romex connector, feed the necessary length of wire through the connector and tighten the screws.
 - Make all necessary wire connections to the receptacle and assemble the receptacle and cover to the junction box.
 - Attach the junction box assembly to the inside of the appliance with the two screws provided.
- If the box is not to be wired at the time of appliance installation, assemble the receptacle and cover to the box and install on the inside of the appliance.

11 Finishing

A. Mantel Projections

Figure 11.1 shows the minimum vertical and corresponding maximum horizontal dimensions of appliance mantels or other combustible projections above the top front edge of the appliance.

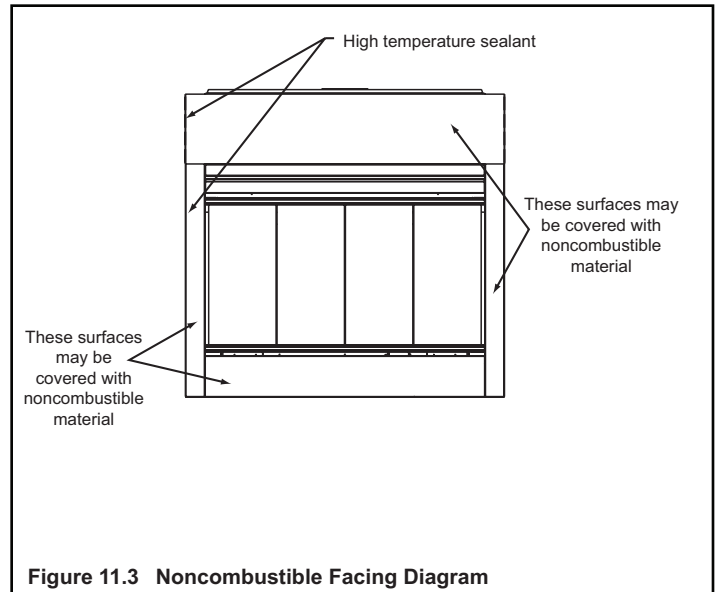


B. Facing Material

WARNING

Fire Risk
Do NOT obstruct air inlets. Finishing materials must not interfere with:

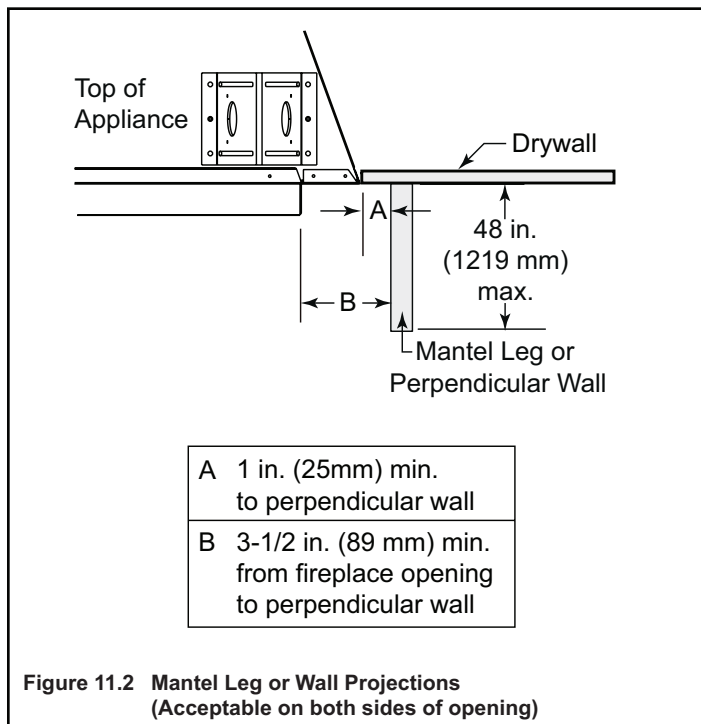
- Air flow through inlets.
- Access for service.



WARNING

Fire Risk
Finish all edges and fronts to clearances and specifications listed in manual.

- Black metal appliance front may be covered with non-combustible material only.
- Do NOT overlap combustible materials onto appliance front.
- Install combustible materials only up to specified clearances on top, front and sides.
- Seal joints between the finished wall and appliance top and sides using only a 300° F minimum sealant.



12 Appliance Setup

A. Remove the Shipping Materials

Remove shipping materials from inside or underneath the firebox.

B. Clean the Appliance

Clean/vacuum any sawdust that may have accumulated inside the firebox or underneath in the control cavity.

C. Accessories


Install approved accessories (refer to Section 16) per instructions included with accessories.

	⚠ WARNING
	Shock Risk Fire Risk Use ONLY optional accessories approved for this appliance. <ul style="list-style-type: none">• Using non-listed accessories voids warranty.• Using non-listed accessories may result in a safety hazard.• Only Hearth & Home Technologies approved accessories may be used safely.

D. Install the Refractory

Install refractory per instructions included with kit.

E. Lava Rock, Vermiculite, Rockwool Placement

	⚠ WARNING
	Explosion Risk <ul style="list-style-type: none">• Follow rockwool placement instructions in this manual.• Do NOT place rockwool directly over burner ports.• Replace rockwool material annually. Improperly placed rockwool interferes with proper burner operation.

Placing the Lava Rock and Vermiculite

- Place lava rock on top of the lava rock tray in front of and under the burner. See Figure 12.1.
- Sprinkle vermiculite evenly over area covered by lava rock. See Figure 12.2.
- It is not necessary to use entire bag of lava rock or vermiculite.



Figure 12.1 Placement of Lava Rock

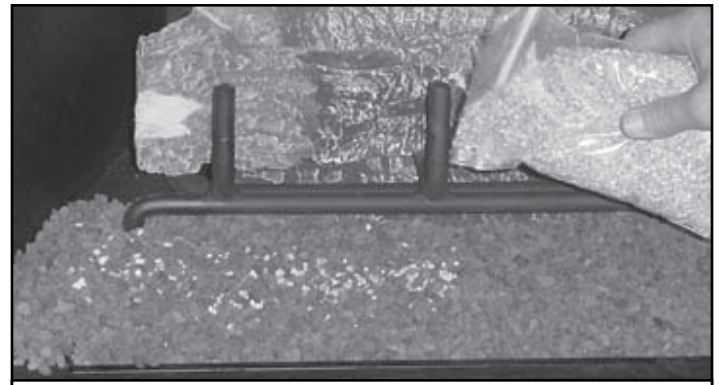


Figure 12.2 Placement of Vermiculite

Placing the Rockwool

- Place 1/2 in. pieces of rockwool under front logs and on bottom hearth log.
- Place rockwool the full length of the burner, but not packed against it. See Figure 12.3.
- It is not necessary to use all the rockwool.

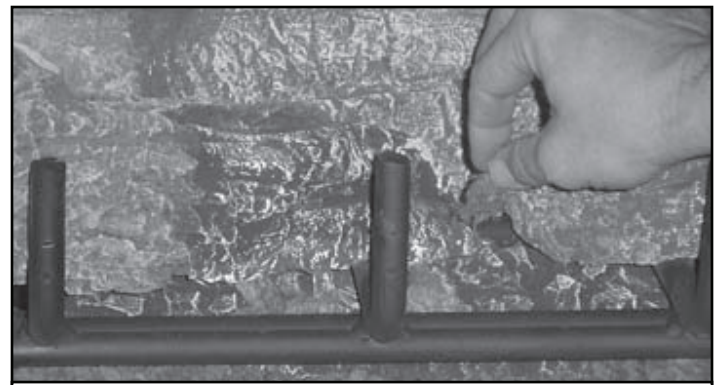


Figure 12.3 Placement of Rockwool

F. Log Removal/Replacement

Log set should look similar to that in Figure 12.4.



Figure 12.4 Geneva Log Set

- Remove/open the lava rock tray as shown in Figures 12.5 and 12.6. Clear the lava rock as shown in Figure 12.7.
- Remove log/grate assembly from the hearth pan by removing three screws (one per side, one center back behind hearth log). See Figures 12.8 and 12.9.
- Lift up on log/grate assembly to remove it from appliance and set aside.
- Reverse the order to reinstall the log/grate assembly.



Figure 12.7 Clear Lava Rock



Figure 12.8 Remove Screws from Sides



Figure 12.5 Remove Lava Rock Tray

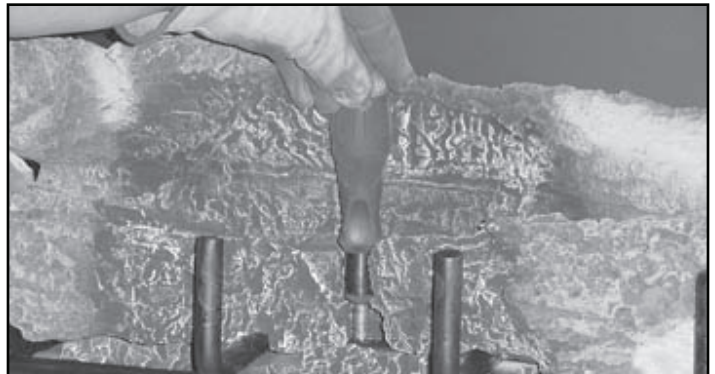


Figure 12.9 Remove Screw from Back of Assembly



Figure 12.6 Remove Lava Rock Tray

G. Glass Doors



⚠ WARNING

Handle glass with care.

- Inspect the gasket to ensure it is undamaged.
- Inspect the glass for cracks, chips or scratches.
- Do NOT strike, slam or scratch glass.
- Do NOT operate appliance with glass assembly removed, cracked, broken or scratched.
- Replace glass assembly as a complete assembly.

If you have decided to install optional doors on your appliance, please use them correctly. While operating your appliance, you should either have the doors completely open or completely closed, but never partially open.

Note: Glass doors are not optional in the Commonwealth of Massachusetts. They are required.



⚠ WARNING

Fire Risk

Combustion Fumes Risk

- Appliances equipped with optional glass doors **must** be operated with doors fully open or fully closed.
- Only use glass doors certified for use with this appliance.

If doors are left partially open, gas and flames may be drawn out of the appliance opening.



H. Hood

The hood is shipped on top of the outer shell of the appliance. Remove the hood from its shipping location. Locate the four hood retaining clips and slide the hood into them. The hood must be attached or a fire hazard may result. See Figure 12.10.

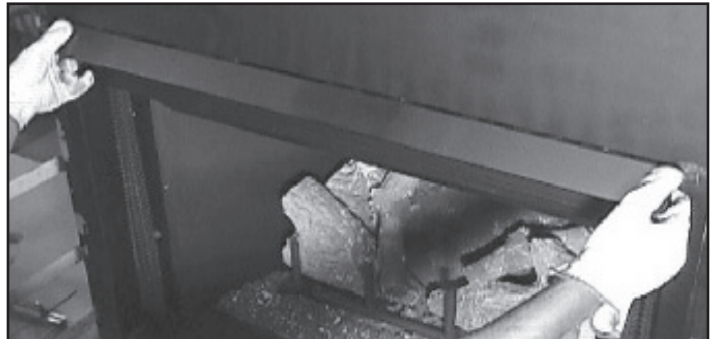


Figure 12.10 Installing the Hood

I. Air Shutter Setting

- Closed position - natural gas
- Open position - propane

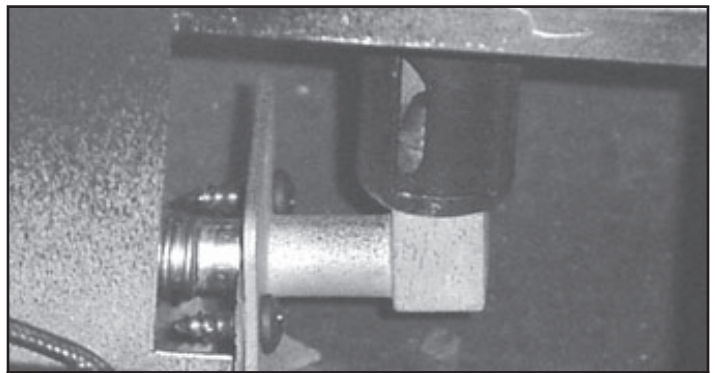


Figure 12.11 Air Shutter

13 Operating Instructions

A. Before Lighting Appliance

Before lighting this appliance, determine if it has a standing pilot or Intellifire ignition system by opening the control access panel to view wiring system and gas valve. If this appliance has a red or black ignitor button (See Figure 10.1) this appliance has a standing pilot ignition system. If there is no red or black ignitor button, this appliance has an Intellifire ignition system.

CAUTION

If installing Intellifire Ignition battery backup:

- Do not install batteries if the backup mode may not be used for extended time.
- Batteries may leak.
- Install batteries only when needed for power outage.

Before operating this appliance, have a qualified technician:

- Remove all shipping materials from inside and/or underneath the firebox.
- Review proper placement of logs, rockwool, lava rock and vermiculite.
- Check the wiring.
- Check the air shutter adjustment.
- Ensure that there are no gas leaks.
- Ensure that the glass doors are in the proper position.
- Ensure that the flow of combustion and ventilation air is not obstructed (front grilles and vent caps).

WARNING

Do NOT use this appliance if any part has been under water. Immediately call a qualified service technician to inspect the appliance and to replace any part of the control system and any gas control which has been under water.

WARNING



Fire Risk

Burn Risk

HOT! DO NOT TOUCH.

SEVERE BURNS MAY RESULT.

CLOTHING IGNITION MAY RESULT

Glass and other surfaces are hot during operation and cool down.



- Keep children away.
- CAREFULLY SUPERVISE children in same room as appliance.
- Alert children and adults to hazards of high temperatures.
- Do NOT operate with protective barriers open or removed.
- Keep clothing, furniture, draperies and other combustibles away.

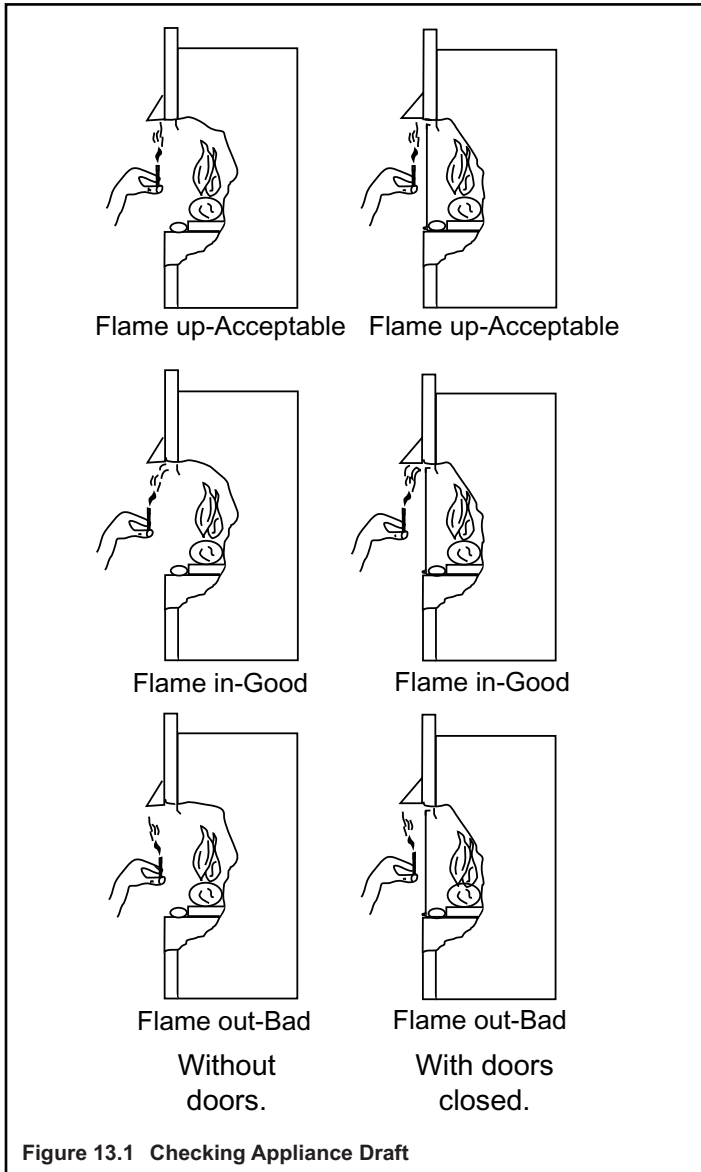
WARNING

Improper installation, adjustment, alteration, service or maintenance can cause injury or property damage. Refer to the owner's information manual provided with this appliance. For assistance or additional information consult a qualified installer, service agency or the gas supplier.

B. Check Appliance Draft

Check draft of appliance to verify proper venting conditions.

- Close all windows and doors, turn on all exhaust fans in home.
- Appliance is to be completely assembled to normal operating condition.
- Turn on appliance and allow to operate for at least 10 minutes.
- Check draft as shown in Figure 13.1. This can be done using a smoke or flame producing match.
- Hold lit match at bottom edge of draft hood opening and observe flame/smoke per the figure.

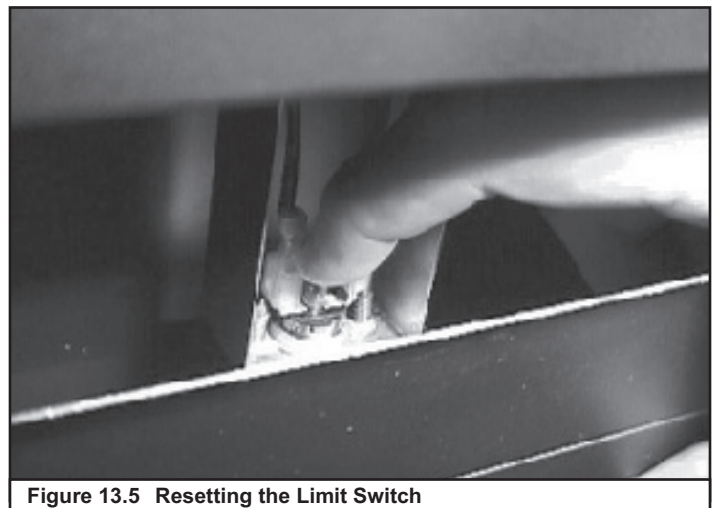
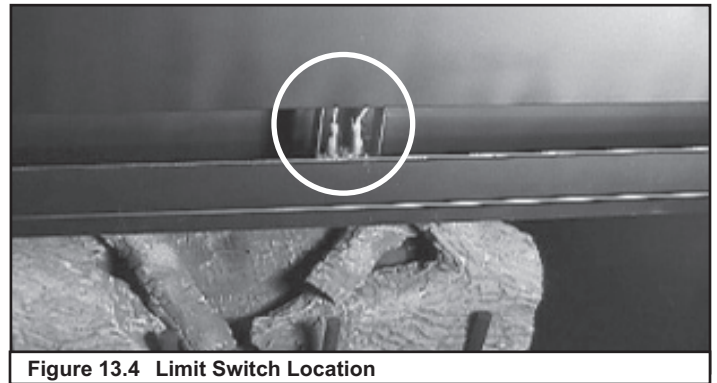


C. High Limit Safety Switch

A high limit switch has been installed on this appliance. This switch automatically turns off the appliance if it becomes too hot. If this happens, do not attempt to operate the appliance until it has been examined by a qualified service technician. For the high limit switch location, see Figures 13.2-13.4.

Note to Qualified Service Technician:

The intermittent pilot ignition version of the Geneva Series requires that the limit switch be manually reset if it has shut the appliance off. This is done by first removing the hood to expose the high limit switch. See Figure 28. Push the red button in until you hear a click. The appliance should now be operable. Replace the hood.



D. Lighting the Appliance

Intellifire Ignition

FOR YOUR SAFETY READ BEFORE LIGHTING

WARNING: If you do not follow these instructions exactly, a fire or explosion may result causing property damage, personal injury or loss of life.

- A. This appliance is equipped with an ignition device which automatically lights the pilot. Do not try to light the pilot by hand.
- B. BEFORE LIGHTING smell all around the appliance area for gas. Be sure to smell next to the floor because some gas is heavier than air and will settle on the floor.
- WHAT TO DO IF YOU SMELL GAS**
- Do not try to light any appliance.
 - Do not touch any electric switch; do not use any phone in your building.
 - Immediately call your gas supplier from a neighbor's phone. Follow the gas supplier's instructions.
- C. If you cannot reach your gas supplier, call the fire department.
- C. Use only your hand to push in and move the gas control valve or turn the gas control knob. Never use tools. If the lever or knob will not move by hand, don't try to repair it, call a qualified service technician. Force or attempted repair may result in a fire or explosion.
- D. Do not use this appliance if any part has been under water. Immediately call a qualified service technician to inspect the appliance and to replace any part of the control system and any gas control which has been under water.

LIGHTING INSTRUCTIONS

1. STOP! Read the safety information above on this label.
2. Turn wall switch to the "OFF" position or thermostat to the lowest setting.
3. Turn off all electric power to the appliance.
4. This appliance is equipped with an ignition device which automatically lights the pilot. Do NOT try to light the pilot by hand.
5. Wait five minutes to clear out any gas. If you then smell gas, STOP! Follow "B" in the safety information above on this label. If you don't smell gas, go to the next step.
6. To turn on the burner, turn on all electric power to this appliance and turn on the wall switch or set the thermostat to the desired setting.
7. If the appliance will not operate, follow the instructions "TO TURN OFF GAS TO APPLIANCE" and call your service technician or gas supplier.

TO TURN OFF GAS TO APPLIANCE

1. Turn off wall switch or set thermostat to lowest setting.
2. Turn off all electric power to the appliance if service is to be performed.
3. Push the gas control lever in and move to the "OFF" position or push the gas control lever to the "OFF" position. Do not force.
4. Replace the control access panel.

Due to high surface temperatures, keep children, clothing and furniture away.
Keep burner and control compartment clean. See installation and operating instructions accompanying the appliance.

This appliance needs fresh air for safe operation and must be installed so there are provisions for adequate combustion and ventilation air.

This appliance must be installed in accordance with local codes, if any; if not, follow ANSI Z223.1 or, in Canada, current CAN/CGA-B149.

This appliance must be properly connected to a venting system in accordance with the manufacturer's installation instructions.

WARNING: Improper installation, adjustment, alteration, service or maintenance can cause injury or property damage. Refer to the owner's information manual provided with the appliance. For assistance or additional information consult a qualified installer, service agency or the gas supplier.

CAUTION: Hot while in operation. Do not touch. Keep children, clothing, furniture, gasoline and other liquids having flammable vapors away.

WARNING RISK OF FIRE

This appliance is intended to burn a specified gas fuel only. Do not attempt to use with solid wood fuel or another type of fuel. Do not attempt to modify or use any other type of gas burner system.

WARNING: Disconnect the electric power before servicing. If for any reason the original wire supplied with the appliance must be replaced, it must be replaced with 105° C or its equivalent.

For use with natural gas or propane. A conversion kit as supplied by the manufacturer shall be used to convert this appliance to the alternative fuel.

- * Also certified for installation in a bedroom or a bed-sitting room.
- * For U.S. only!

NATURAL GAS

FOR YOUR SAFETY READ BEFORE LIGHTING

WARNING: If you do not follow these instructions exactly, a fire or explosion may result causing property damage, personal injury or loss of life.

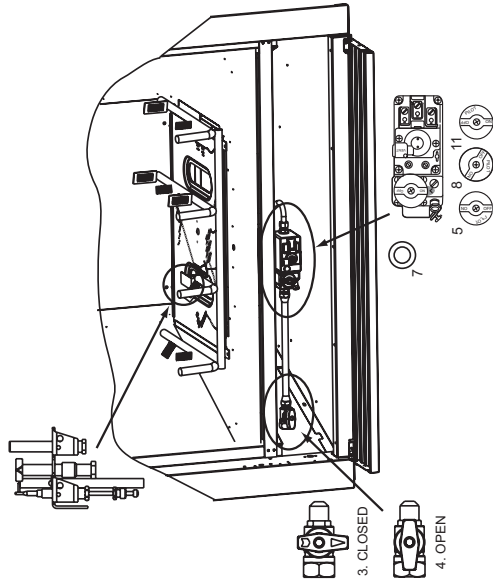
- A. This appliance has a pilot which must be lighted by hand. When lighting the pilot, follow these instructions exactly.
 - B. BEFORE LIGHTING smell all around the appliance area for gas. Be sure to smell next to the floor because some gas is heavier than air and will settle on the floor.
- WHAT TO DO IF YOU SMELL GAS**
- Do not try to light any appliance.
 - Do not touch any electric switch, do not use any phone in your building.
 - Immediately call your gas supplier from a neighbor's phone. Follow the gas supplier's instructions.
- C. If you cannot reach your gas supplier, call the fire department.
 - D. Use only your hand to push in or turn knob. Never use tools. If the manual gas valve will not push in or turn by hand, don't try to repair it; call a qualified service technician. Force or attempted repair may result in a fire or explosion.
- Do not use this appliance if any part has been under water. Immediately call a qualified service technician to inspect the appliance and to replace any part of the control system and any gas control which has been under water.

LIGHTING INSTRUCTIONS

Stop! Read the safety information above on this label.

1. Turn wall switch to the "OFF" position or thermostat to the lowest setting.
2. Remove control access panel.
3. Turn manual gas valve to CLOSED. Wait five (5) minutes to clear out any gas. If you then smell gas, STOP! Follow "B" in the safety information above on this label. If you don't smell gas, go to next step.
4. Turn gas line to "OPEN".
5. Turn pilot knob clockwise to "OFF". (Knob may have to be depressed to pass "PILOT" position.)
6. Locate pilot assembly inside appliance.
7. Locate red ignitor button.
8. Turn pilot knob to "PILOT" and push in.
9. Continue to hold in pilot knob and push the red ignitor button 12-15 times until small blue pilot flame appears.
10. Continue to hold in pilot knob for approximately one minute. Pilot should remain lit. If pilot goes out, wait 5 minutes and repeat Steps 3-9.
11. Release and turn knob counterclockwise to "ON".
12. If appliance will not operate, follow the instructions "TO TURN OFF GAS TO APPLIANCE" and call your service technician or gas supplier.

NOTE: To light main burner, turn wall switch to "ON". Do not light by hand.



TO TURN OFF GAS TO APPLIANCE

1. Turn off wall switch or set thermostat to lowest setting.
2. Remove control access panel.
3. Turn manual gas valve to "CLOSED" position. Do not force.
4. Replace control access panel.

Due to high surface temperatures, keep children, clothing and furniture away. Keep burner and control compartment clean. See installation and operating instructions accompanying the appliance.

29097D

This appliance needs fresh air for safe operation and must be installed so there are provisions for adequate combustion and ventilation air.

This appliance must be installed in accordance with local codes, if any; if not, follow ANSI Z223.1 or, in Canada, current CAN/CGA-B149.

This appliance must be properly connected to a venting system in accordance with the manufacturer's installation instructions.

WARNING: Improper installation, adjustment, alteration, service or maintenance can cause injury or property damage. Refer to the owner's information manual provided with the appliance. For assistance or additional information consult a qualified installer, service agency or the gas supplier.

CAUTION: Hot while in operation. Do not touch. Keep children, clothing, furniture, gasoline and other liquids having flammable vapors away.

WARNING RISK OF FIRE

This appliance is intended to burn a specified gas fuel only. Do not attempt to use with solid wood fuel or another type of fuel. Do not attempt to modify or use any other type of gas burner system.

WARNING: Disconnect the electric power before servicing. If for any reason the original wire supplied with the appliance must be replaced, it must be replaced with 105° C or its equivalent.

For use with natural gas or propane. A conversion kit as supplied by the manufacturer shall be used to convert this appliance to the alternative fuel.

* Also certified for installation in a bedroom or a bed-sitting room.
* For U.S. only!

NATURAL GAS



E. After the Appliance is Lit

Initial Break-in Procedure

When you light the appliance, you may notice that it produces heat which does have an associated odor or smell. If you feel this odor is excessive it may require the initial three to four hour continuous burn on high followed by a second burn up to 12 hours to fully drive off any odor from paint and lubricants used in the manufacturing process. Condensation of the glass is normal.



Note: This appliance should be run three to four hours on the initial start-up. Turn it off and let it cool completely. Clean glass doors (if installed). Close the doors (if installed) and run the appliance for an additional 12 hours. This will help cure the products used in the paint and logs.

During this break-in period it is recommended that some windows in the house be opened for air circulation. This will help avoid setting off smoke detectors, and help eliminate any odors associated with the appliance's initial burning.

	WARNING
	<p>Fire Risk High Temperatures Keep combustible household items away from appliance. Do NOT obstruct combustion and ventilation air.</p> <ul style="list-style-type: none"> • Do NOT place combustible items on top of or in front of appliance. • Keep furniture, draperies away from appliance.

CAUTION
<ul style="list-style-type: none"> • Prevent accidental appliance operation when not attended. • Unplug or remove batteries from remote control in your absence or if appliance will not be used for an extended period of time. • Property damage possible from elevated temperatures.

CAUTION
<p>Smoke and odors are released during initial operation.</p> <ul style="list-style-type: none"> • Open windows for air circulation. • Leave room during initial operation. • Smoke may set off smoke detectors. <p>Smoke and odors may be irritating to sensitive individuals.</p>

	WARNING
	<p>Fire Risk Keep combustible materials, gasoline and other flammable vapors and liquids clear of appliance.</p> <ul style="list-style-type: none"> • Do NOT store flammable materials in the vicinity of the appliance. • Do NOT use gasoline, lantern fuel, kerosene, charcoal lighter fluid or similar liquids in this appliance. <p>Combustible materials may ignite.</p>

F. Frequently Asked Questions

Issue	Solutions
Condensation on the glass	This is a result of gas combustion and temperature variations. As the appliance warms, this condensation will disappear.
Blue flames	This is a result of normal operation and the flames will begin to yellow as the appliance is allowed to burn for 20 to 40 minutes.
Odor from appliance	When first operated, this appliance may release an odor for the first several hours. This is caused by the curing of the paint and the burning off of any oils remaining from manufacturing.
Film on the glass	This is a normal result of the curing process of the paint and logs. Glass should be cleaned within 3 to 4 hours of initial burning to remove deposits left by oils from the manufacturing process. A non-abrasive cleaner such as gas fireplace glass cleaner may be necessary. See your dealer.
Metallic noise	Noise is caused by metal expanding and contracting as it heats up and cools down, similar to the sound produced by a furnace or heating duct. This noise does not affect the operation or longevity of the fireplace.
Is it normal to see the pilot flame burn continually?	In an Intellifire ignition system it is normal to see the pilot flame, but it should turn off when ON/OFF is turned off. In a standing pilot system the pilot will always stay on.

14 Troubleshooting

With proper installation, operation and maintenance your gas appliance will provide years of trouble-free service. If you do experience a problem, this troubleshooting guide will assist a qualified service person in the diagnosis of a problem and the corrective action to be taken. This troubleshooting guide can only be used by a qualified service technician.

A. Standing Pilot Ignition System

Symptom		Possible Causes		Corrective Actions
1.	After repeated triggering of the red or black piezo ignitor button, the spark ignitor will not light the pilot.	A.	Defective ignitor.	Check the spark at the electrode and pilot. If there is no spark and the electrode wire is properly connected, replace the ignitor.
		B.	Defective pilot or misaligned electrode (spark at electrode).	Using a match, light the pilot. If the pilot lights, turn off the pilot and trigger the red piezo ignitor button again. If the pilot lights, an improper gas/air mixture caused the bad lighting and a longer purge period is recommended. If the pilot will not light, ensure the gap at the electrode and pilot is 1/8 in. to have a strong spark. If the gap is OK, replace the pilot.
		C.	No gas or low gas pressure.	Check the remote shut-off valves from the appliance. There is usually a valve near the gas main. There can be more than one valve between the appliance and the main.
		D.	No LP in tank.	Check the LP (propane) tank. You may be out of fuel.
2.	The pilot will not stay lit after carefully following the lighting instructions	A.	Defective thermocouple.	Check that the pilot flame impinges on the thermocouple. Clean and/or adjust the pilot for maximum flame impingement. Ensure that the thermocouple connection at the gas valve is fully inserted and tight (hand tighten plus 1/4 turn). Disconnect the thermocouple from the valve, place one millivolt meter lead wire on the tip of the thermocouple and the other meter lead wire on the thermocouple copper lead. Start the pilot and hold the valve knob in. If the millivolt reading is less than 15mV, replace the thermocouple.
		B.	Defective valve.	If the thermocouple is producing more than 15 millivolts, replace faulty valve.
3.	The pilot is burning, there is no gas burning, the valve knob is in the ON position, and the ON/OFF switch is in the ON position.	A.	ON/OFF switch or wires are defective.	Check the ON/OFF switch and wires for proper connections. Place the jumper wires across the terminals at the switch. If the burner comes on, replace the defective switch. If the switch is OK, place the jumper wires across the switch wires at the gas valve. If the burner comes on, the wires are faulty or connections are bad.
		B.	Thermopile may not be generating sufficient millivoltage.	If the pilot flame is not close enough physically to the thermopile, adjust the pilot flame. Be sure the wire connections from the thermopile at the gas valve terminals are tight and that the thermopile is fully inserted into the pilot bracket. Check the thermopile with a millivolt meter. Take the reading at TH-TP&TP terminals of the gas valve. The meter should read 325 millivolts minimum while holding the valve knob depressed in the pilot position, with the pilot lit, and the ON/OFF switch in the OFF position. Replace the faulty thermopile if the reading is below the specified minimum. With the pilot in the ON position, disconnect the thermopile leads from the valve. Take a reading at the thermopile leads. The reading should be 325 millivolts minimum. Replace the thermopile if the reading is below the minimum.
		C.	Defective valve.	Turn the valve knob to the ON position. Place the ON/OFF switch in the ON position. Check the millivolt meter at the thermopile terminals. The millivolt meter should read greater than 125mV. If the reading is acceptable, and if the burner does not come on, replace the gas valve.
		D.	Plugged burner orifice.	Check the burner orifice for stoppage. Remove stoppage.
		E.	Wall switch or wires are defective.	Follow the corrective action in Symptom and Possible Cause 1.A. above. Check the switch and wiring. Replace where defective.

Symptom		Possible Causes		Corrective Actions
4.	Frequent pilot outage problem.	A.	Pilot flame may be too high, too low, or blowing (high), causing pilot safety to drop out.	Clean and adjust the pilot flame for maximum flame impingement on thermocouple. Follow lighting instructions carefully.
5.	The pilot and main burner extinguish while in operation.	A.	No LP in the tank.	Check the LP (propane) tank. Refill the fuel tank.
		B.	Inner vent pipe is leaking exhaust gases back into the system.	Check venting system for damage. Replace/repair improperly assembled pipe sections.
		C.	Glass is too loose and air tight packet leaks in corners after usage.	Replace glass panel assembly.
		D.	Bad thermopile or thermocouple.	Replace if necessary.
		E.	Improper vent cap installation.	Check for proper installation and freedom from debris or blockage.
6.	Glass soots.	A.	Flame impingement.	Adjust the log set so that the flame does not excessively impinge on it.
		B.	Improper air shutter setting.	Adjust the air shutter located on the control panel.
		C.	Debris around air shutter.	Inspect the opening at the base of the burner. NO MATERIAL SHOULD BE PLACED IN THIS OPENING.
7.	Flame burns blue and lifts off burner.	A.	Insufficient oxygen being supplied.	Ensure that the vent cap is installed properly and free of debris. Ensure that the vent system joints are tight and have no leaks. Ensure that no debris has been placed at the base of, or in the area of the air holes in the center of, the base pan beneath the burner. Ensure that the glass is tightened properly on the appliance, particularly on top corners.

B. Intellifire Ignition System

Symptom		Possible Causes		Corrective Actions
1.	The ignitor/module makes noise, but no spark.	A.	Incorrect wiring.	Verify "S" wire (white) for sensor and "I" wire (orange) for ignitor are connected to the correct terminals on the module and the pilot assembly. Reversed wires at the module may cause the system to make a sparking noise, but the spark may not be present at pilot hood.
		B.	Loose connections or electrical shorts in the wiring.	Verify there are no loose connections or electrical shorts in wiring from module to pilot assembly. The rod closest to the pilot hood should be ignitor. Verify connections underneath pilot assembly are tight; also verify the connections are not grounding out to the metal chassis, pilot burner, pilot enclosure, mesh screen if present, or any other metal object.
		C.	Ignitor gap is too large.	Verify gap of ignitor to pilot hood. The gap should be approximately .17 in. or 1/8 in.
		D.	Faulty module.	Turn ON/OFF rocker switch or wall switch to OFF position. Remove ignitor wire "I" from module. Place ON/OFF rocker switch or wall switch in ON position. Hold ground wire about 3/16 in. away from "I" terminal on module. If there is no spark at "I" terminal, module must be replaced. If there is a spark at "I" terminal, module is fine. Inspect pilot assembly for shorted sparker wire or cracked insulator around electrode.
2.	Pilots won't light, there is no noise or spark.	A.	Transformer installed incorrectly.	Verify that transformer is installed and plugged into module. Check voltage of transformer under load at space connection on module with ON/OFF switch in ON position. Acceptable readings of a good transformer are between 3.2 and 2.8 volts AC.
		B.	A shorted or loose connection in wiring configuration or wiring harness.	Remove and reinstall the wiring harness that plugs into module. Verify there is a tight fit. Verify pilot assembly wiring to module. Remove and verify continuity of each wire in wiring harness.
		C.	Improper wall switch wiring.	Verify wall switch is wired correctly.
		D.	Module not grounded.	Verify black ground wire from module wire harness is grounded to metal chassis of appliance.
		E.	Faulty module.	Turn ON/OFF rocker switch or wall switch to OFF position. Remove ignitor wire "I" from module. Place ON/OFF rocker switch or wall switch in ON position. Hold ground wire about 3/16 in. away from "I" terminal on module. If there is no spark at "I" terminal module must be replaced. If there is a spark at "I" terminal, module is fine. Inspect pilot assembly for shorted sparker wire or cracked insulator around electrode.
3.	Pilot lights but continues to spark, and main burner will not ignite. (If the pilot continues to spark after the pilot flame has been lit, flame rectification has not occurred.)	A.	A shorted or loose connection in sensor rod.	Verify all connections to wiring diagram in manual. Verify connections underneath pilot assembly are tight. Verify connections are not grounding out to metal chassis, pilot burner, pilot enclosure or screen if present, or any other metal object.
		B.	Poor flame rectification or contaminated sensor rod.	Verify flame is engulfing sensor rod. If the pilot assembly does not have a ground strap, consider installing one to increase flame rectification. Verify correct pilot orifice is installed and inlet gas specifications are met. Flame carries rectification current, not the gas. If flame lifts from pilot hood, the circuit is broken. A wrong orifice or too high an inlet pressure can cause pilot flame to lift. The sensor rod may be contaminated. Clean sensor rod with emery cloth.
		C.	Module is not grounded.	Verify that module is securely grounded to metal chassis of appliance. Verify that the wire harness is firmly connected to module.
		D.	Damaged pilot assembly or dirty sensor rod.	Verify that ceramic insulator around the sensor rod is not cracked, damaged, or loose. Verify connection from sensor rod to white sensor wire. Clean sensor rod with emery cloth to remove any contaminants that may have accumulated on sensor rod. Verify continuity with a multimeter with ohms set at lowest range.
		E.	Faulty module.	Turn ON/OFF rocker switch or wall switch to OFF position. Remove ignitor wire "I" from module. Place ON/OFF rocker switch or wall switch in ON position. Hold ground wire about 3/16 in. away from "I" terminal on module. If there is no spark at "I" terminal, module must be replaced. If there is a spark at "I" terminal, module is fine. Inspect pilot assembly for shorted sparker wire or cracked insulator around electrode.

Symptom		Possible Causes		Corrective Actions
4.	Pilot sparks, but pilot will not light.	A.	Correct gas supply.	Verify that incoming gas line ball valve is "open". Verify that inlet pressure reading is within acceptable limits, inlet pressure must not exceed 14 in. w.c.
		B.	Ignitor gap is too large.	
		C.	Module is not grounded.	Verify module is securely grounded to metal chassis of appliance.
		D.	Module voltage output/valve/pilot solenoid ohms readings.	Replace module.

15 Maintaining and Servicing the Appliance

Although the frequency of appliance servicing and maintenance will depend on use and the type of installation, a qualified service technician should perform an appliance check-up at the beginning of each heating season.

WARNING

Risk of injury or property damage

Before servicing:

- Turn off gas.
- Turn off electricity to appliance.
- Disable remote control, if one is present.
- Ensure appliance is completely cooled.

After Servicing:

- Replace any screen or barrier that was removed.
- Reseal and reinstall any venting removed for servicing.

WARNING



Annual inspection by qualified technician recommended.

Check:

- Condition of doors, surrounds and fronts.
- Condition of glass, glass assembly and glass seal.
- Obstructions of combustion and ventilation air.
- Condition of logs.
- Condition of firebox.
- Burner ignition and operation.
- Burner air shutter adjustment.
- Gas connections and fittings.
- Obstructions of termination cap.

Clean:

- Glass.
- Air passageways, grilles, control compartment.
- Burner, burner ports.

Risk of:

- Fire
- Delayed ignition or explosion
- Exposure to combustion fumes
- Odors



CAUTION



Handle glass assembly with care.

Note: Clean glass after initial 3-4 hours operation. **Longer operation without cleaning glass may cause a permanent white film on glass.**

When cleaning glass door:

- Avoid striking, scratching or slamming doors.
- Do NOT use abrasive cleaners.
- Use a hard water deposit glass cleaner on white film.
- Do NOT clean glass when it is hot.
- Turn off appliance after 3-4 hours of operation and ALLOW TO COOL.
- Remove and clean glass assembly.
- Replace glass assembly and operate appliance for an additional 12 hours.

Refer to maintenance instructions.

WARNING



Fire Risk

Explosion Risk

Inspect external vent cap regularly.

- Ensure no debris blocks cap.
- Combustible materials blocking cap may ignite.
- Restricted air flow affects burner operation.



Maintenance and Service Tasks:

Inspect	Maintenance Tasks
Doors, surrounds and fronts	<ol style="list-style-type: none"> 1. Assess condition of screen and replace as necessary. Recommend addition of screen if one is not present. 2. Inspect for scratches, dents or other damage and repair as necessary. 3. Verify no obstructions to airflow through the louvers. 4. Verify proper clearance to combustible household objects is maintained.
Gasket seal, glass assembly and glass	<ol style="list-style-type: none"> 1. Inspect gasket seal and its condition. 2. Inspect glass panels for scratches and nicks that can lead to breakage when exposed to heat. 3. Confirm there is no damage to glass or glass frame. Replace as necessary. 4. Verify that latches engage properly, clip studs are not stripped, and glass attachment components are intact and operating properly. Replace as necessary. 5. Clean glass using a nonabrasive cleaner such as Brasso®. Replace glass assembly if severely coated with silicate deposits that cannot be removed.
Valve compartment and firebox top	<ol style="list-style-type: none"> 1. Vacuum and wipe out dust, cobwebs, debris or pet hair. Use caution when cleaning these areas. Screw tips that have penetrated the sheet metal are sharp and should be avoided. 2. Remove any foreign objects. 3. Verify unobstructed air circulation.
Logs	<ol style="list-style-type: none"> 1. Inspect for broken, damaged, or missing logs. Replace as necessary. 2. Verify correct log placement and no flame impingement causing sooting. Correct as necessary.
Firebox	<ol style="list-style-type: none"> 1. Inspect for paint condition, warpage, corrosion or perforation. Sand and repaint as necessary. 2. Replace appliance if firebox has been perforated.
Burner ignition and operation	<ol style="list-style-type: none"> 1. Verify burner is properly secured and aligned with pilot or ignitor. 2. Clean off burner top, inspect for plugged ports, corrosion or deterioration. Replace burner if necessary. 3. Replace rockwool with new dime-sized and shaped pieces. Do not block ports or obstruct lighting paths. 4. Check for smooth lighting and ignition carryover to all ports. Verify there is no ignition delay. 5. Inspect for lifting or other flame problems. 6. Verify air shutter is clear of dust and debris. 7. Inspect orifice for soot, dirt or corrosion. 8. Verify manifold and inlet pressures. Adjust regulator as required. 9. Inspect pilot flame strength. Clean or replace orifice as necessary. 10. Inspect thermocouple/thermopile or IPI sensor rod for soot, corrosion and deterioration. Clean with emery cloth or replace as required. 11. Verify millivolt output. Replace as necessary.
Venting	<ol style="list-style-type: none"> 1. Inspect venting for blockage or obstruction such as birds' nests, leaves, etc. 2. Confirm that termination cap remains clear and unobstructed by plants, etc. 3. Verify that termination cap clearance to subsequent construction (building additions, decks, fences or sheds) has been maintained. 4. Inspect for corrosion or separation. 5. Verify weather stripping sealing and flashing remain intact. 6. Inspect draft shield to verify it is not bent, damaged or missing.
Remote controls	<ol style="list-style-type: none"> 1. Verify operation of remote. 2. Replace batteries in remote transmitters and battery-powered receivers. 3. Verify batteries have been removed from battery back-up in IPI systems to prevent premature battery failure or leaking.

16 Reference Materials

A. Appliance Dimension Diagram

Dimensions are actual appliance dimensions. Use for reference only. For framing dimensions and clearances refer to Section 3.

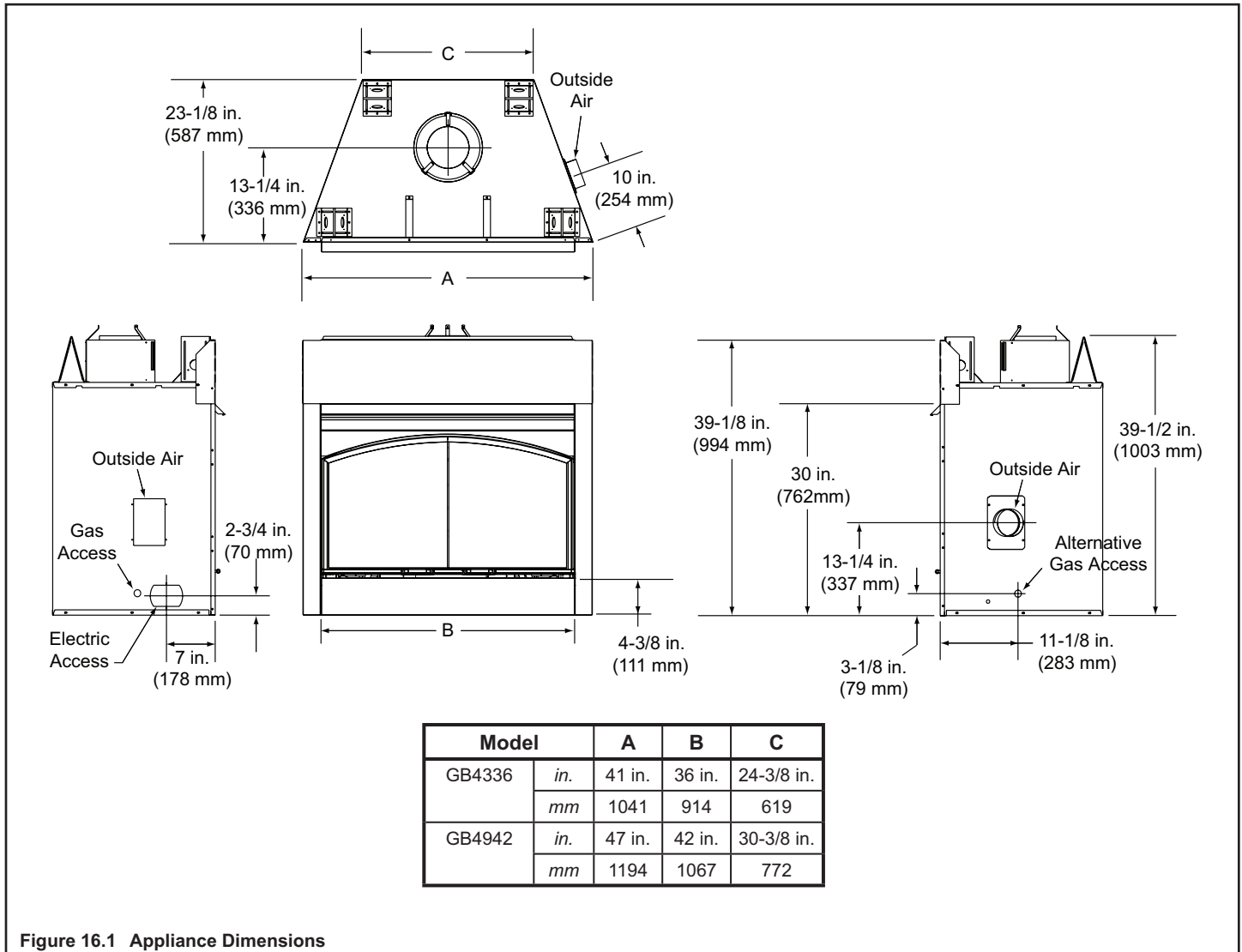
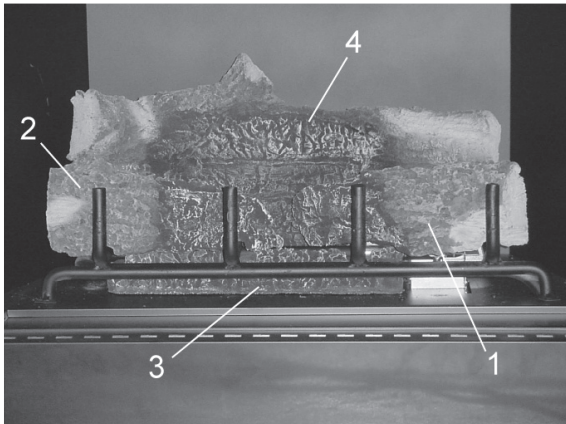
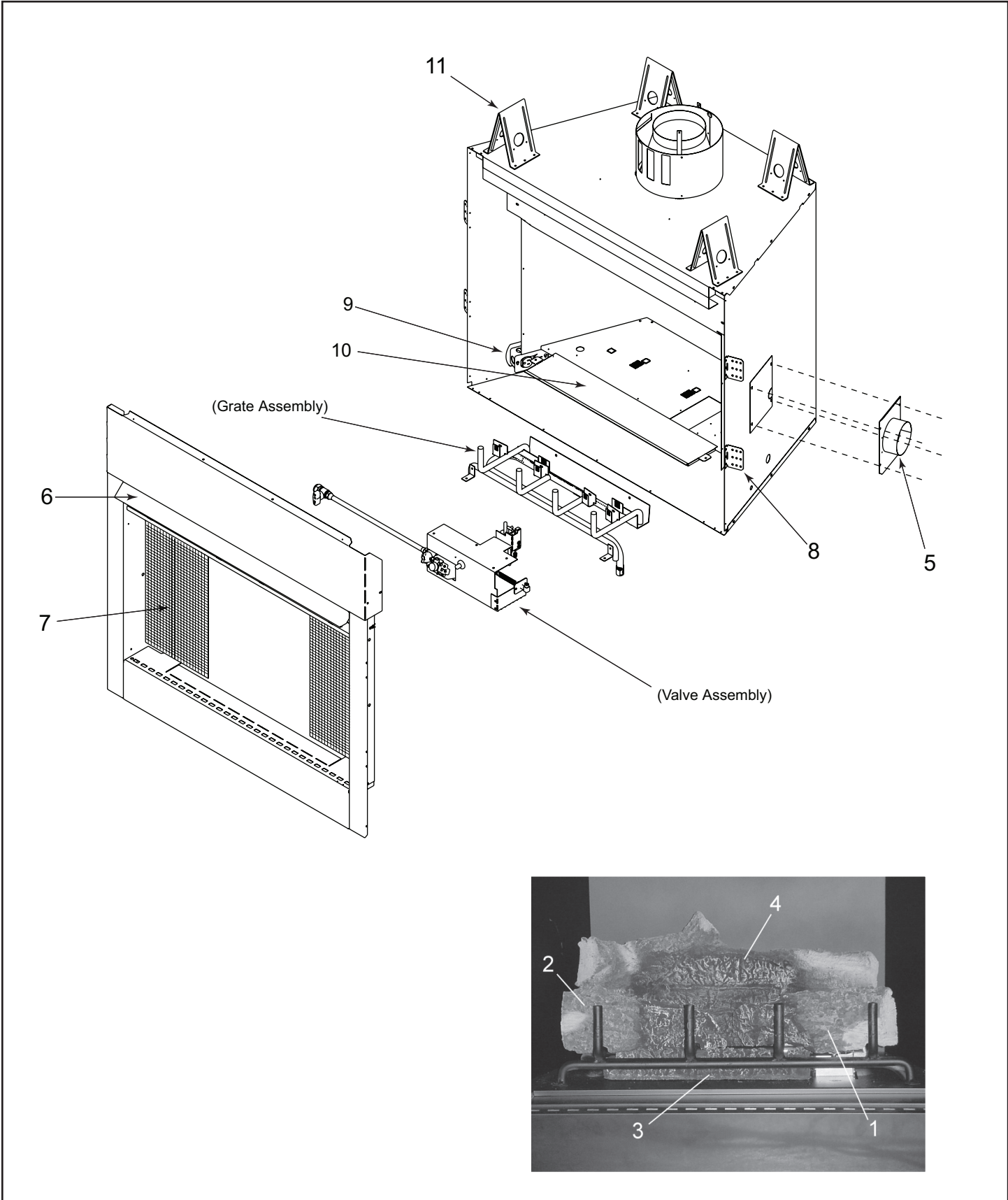


Figure 16.1 Appliance Dimensions





Service Parts

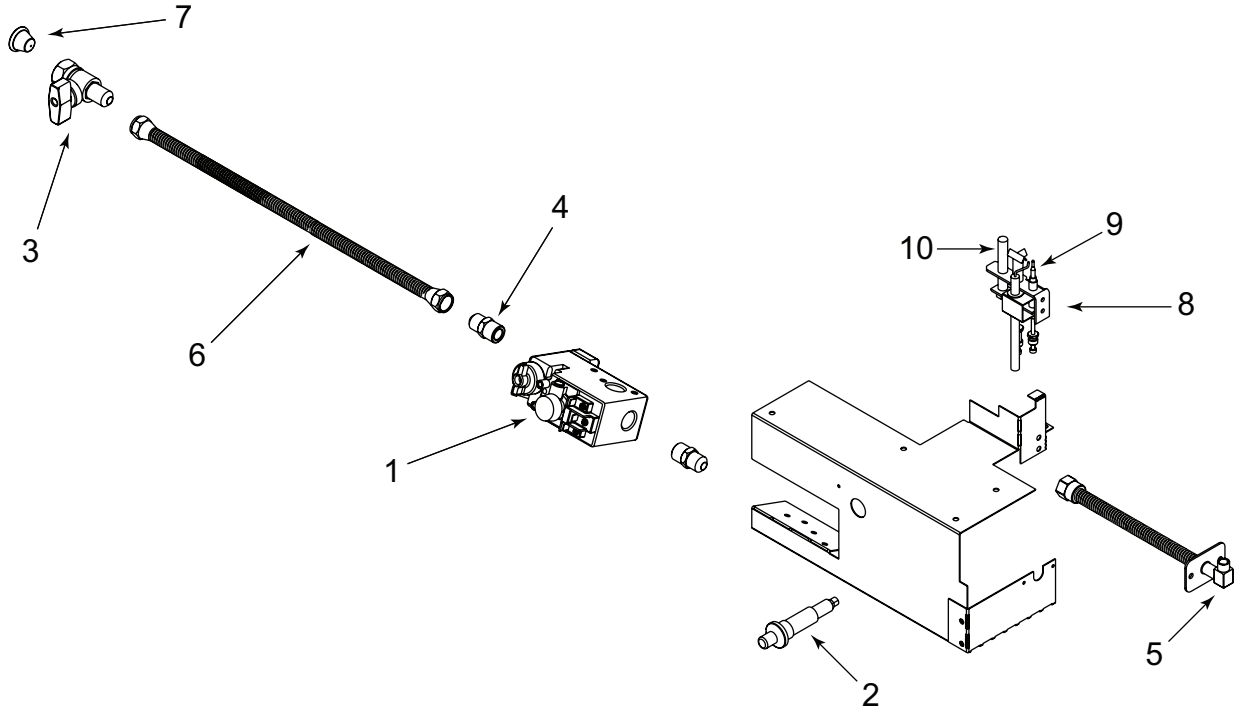
GB4336 SERIES

Service Parts List
36 in. Geneva Gas Fireplace

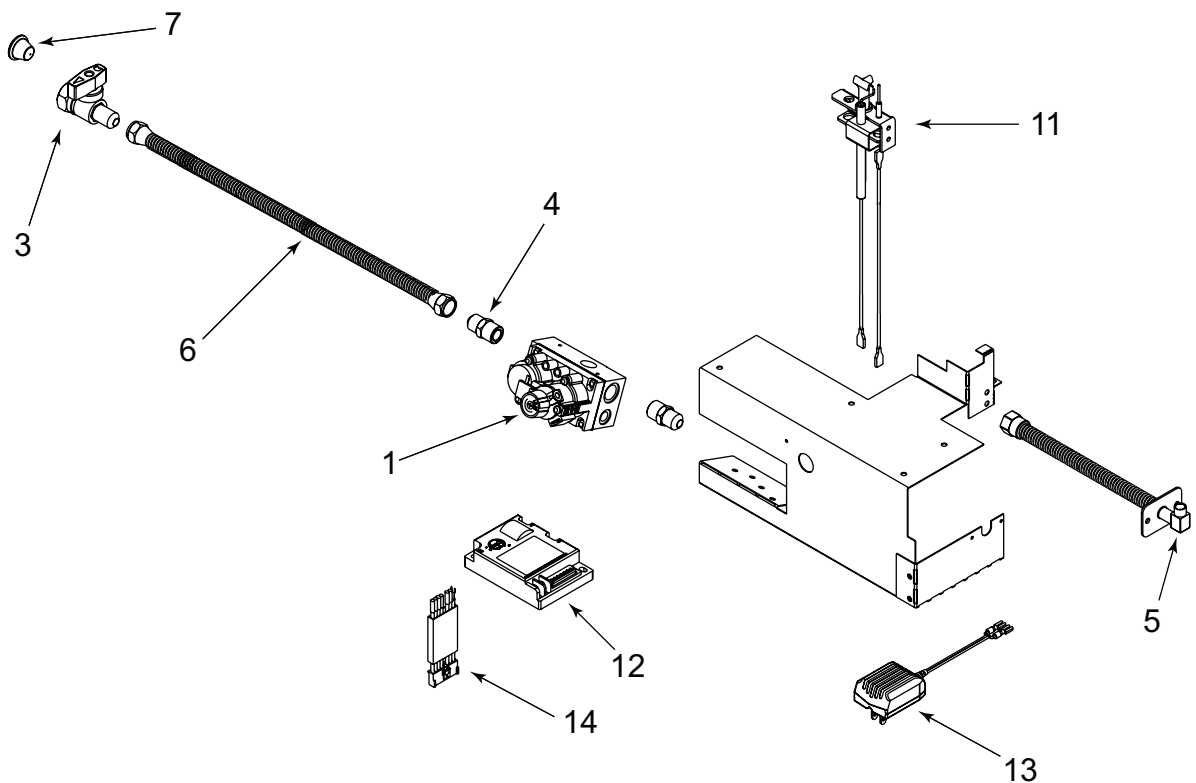
Beginning Manufacturing Date: 1/19/04
Ending Manufacturing Date: Active

#	Description of Part	GB4336	GB4336L	GB4336I	GB4336IL	Qty.
	Log/Grate Assembly	4003-072	4003-072	4003-072	4003-072	1
1	Right Log	4003-115	4003-115	4003-115	4003-115	1
2	Left Log	4003-116	4003-116	4003-116	4003-116	1
3	Hearth Log	4003-114	4003-114	4003-114	4003-114	1
4	Back Log	4003-117	4003-117	4003-117	4003-117	1
	Wool, Rock, Vermiculite	30833	30833	30833	30833	1
	Mineral Wool	14333B	14333B	14333B	14333B	1
	Vermiculite	28746	28746	28746	28746	1
	Lava Rock (2lb. Bag)	4021-296	4021-296	4021-296	4021-296	2
	Ember Tray	4003-091	4003-091	4003-091	4003-091	1
5	Air Kit	26866	26866	26866	26866	1
	Fastener Pack	17916B	17916B	17916B	17916B	1
	Long Cable Tie	19954A	19954A	19954A	19954A	2
	Outside Air Shield	33271	33271	33271	33271	1
	Air Kit Installation Instructions	35145	35145	35145	35145	1
	Face Assembly					
	Hair Pin Clip	101025	101025	101025	101025	2
	Door Track	15425	15425	15425	15425	
	Door Pivot Clip	31527	31527	31527	31527	2
6	Hood	29575	29575	29575	29575	1
7	Firescreen Assembly	32734	32734	32734	32734	2
	Firescreen Ring	11857B	11857B	11857B	11857B	4
	Screen Panel	24737	24737	24737	24737	1
	Screen Handle	4021-150	4021-150	4021-150	4021-150	1
	Top Air Deflector	33197	33197	33197	33197	1
8	Nailing Flange	31190	31190	31190	31190	4
	Junction Box Kit	31581	31581	31581	31581	1
9	Junction Box	21878	21878	21878	21878	1
	Romex Connector	32536	32536	32536	32536	1
10	Gas Access Panel	31636	31636	31636	31636	2
11	Top Standoff	11864i	11864i	11864i	11864i	4
	Geneva Pack	4003-122	4003-122	4003-126	4003-126	1
	Outside Air Handle	17333	17333	17333	17333	1
	Fastener Pack	35477	35477	35477	35477	1
	Installation Instructions	4003-085	4003-085	4003-085	4003-085	1
	Gas Operations Manual	71680	71680	71680	71680	1
	Battery Pack			593-594A	593-594A	1
	Back Baffle	13961	13961	13961	13961	1

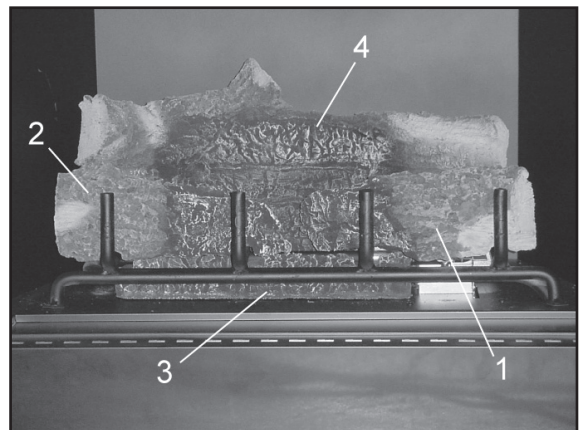
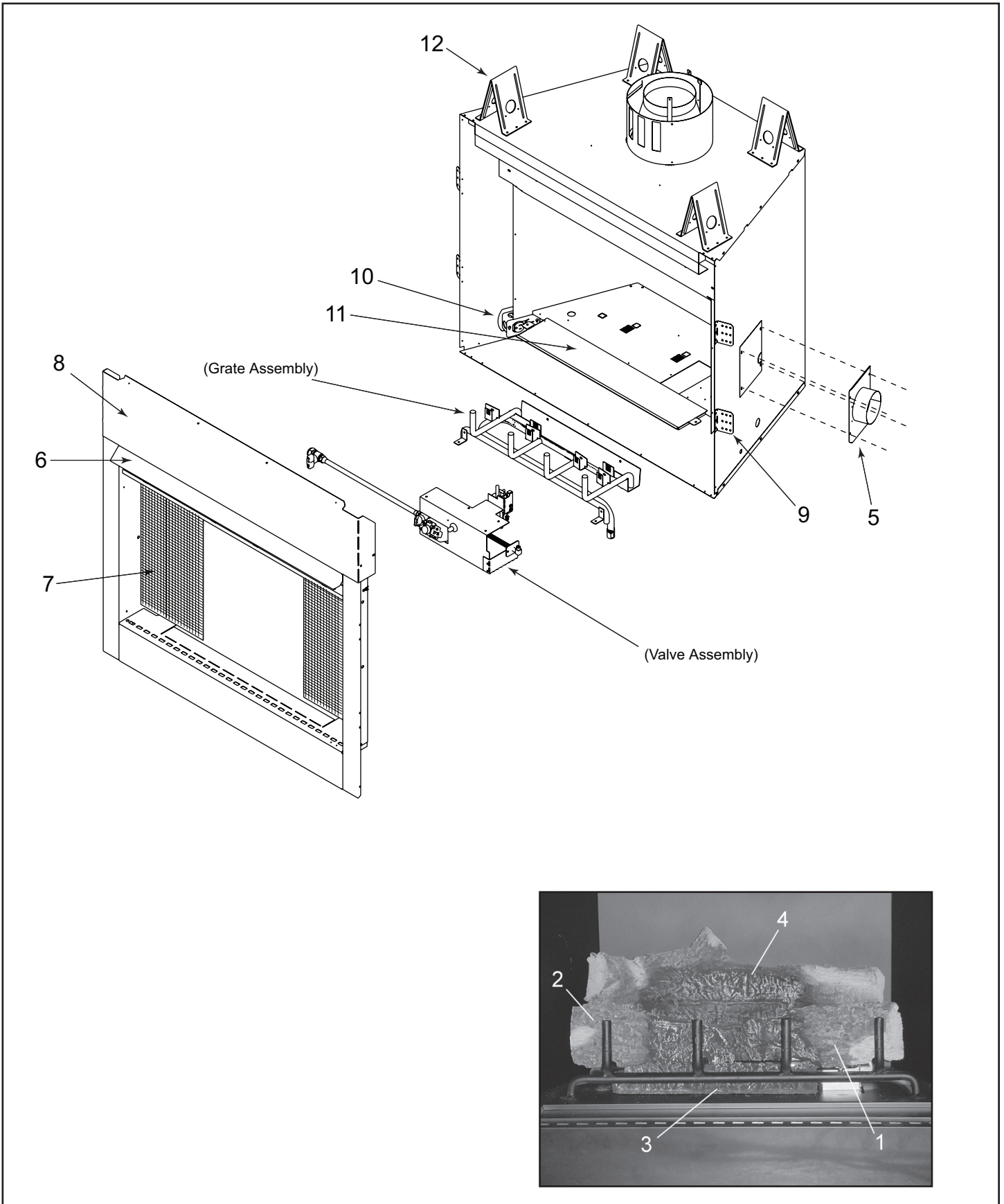
Standing Pilot Valve Assembly



Intermittent Pilot Valve Assembly



#	Description of Part	GB4336	GB4336L	GB4336I	GB4336IL	Qty.
	Valve Assembly	4003-103	4003-104	4003-105	4003-106	1
1	Valve	24033	24034	750-500	750-501	1
2	Push Button Ignitor	13416	13416			1
	Cord Clip	14218	14218	14218	14218	1
3	ON/OFF Valve	15697	15697	15697	15697	1
4	Brass Connector - Male - Flex	17069	17069	17069	17069	2
5	Flex Bulkhead	4021-086	4021-086	4021-086	4021-086	1
6	16 in. Stainless Steel Flex Gas Line	17245B	17245B	17245B	17245B	1
	Long Cable Tie	19954A	19954A	19954A	19954A	1
7	Dust Cap	23491	23491	23491	23491	1
	C-Style Orifice (#35) - NG	582-835		582-835		1
	C-Style Orifice (#52) - LP		582-852		582-852	1
	High Limit Switch	33492	33492	24672	24672	1
8	Pilot Assembly - Flex Tube	25660	25661			1
9	Pilot			4021-005	4021-006	1
10	Thermocouple	72956	72956			1
11	Thermopile	060-512	060-512			1
12	Ignition Control Module *must order Velcro Strips*			593-592	593-592	1
	Velcro Strips			17439A,17440A	17439A,17440A	1ea
13	3V Transformer			593-593A	593-593A	1
	Battery Pack			593-594A	593-594A	1
	Wall Switch Wire Assembly	28602	28602	4018-018	4018-018	1
	HIBLK60FM Wire Assembly			34937	34937	1
	HIBLK67FP Wire Assembly	32347	32347			1
	HIBLU60FF			4018-019	4018-019	1
14	Wire Assembly			593-590A	593-590A	1





Service Parts

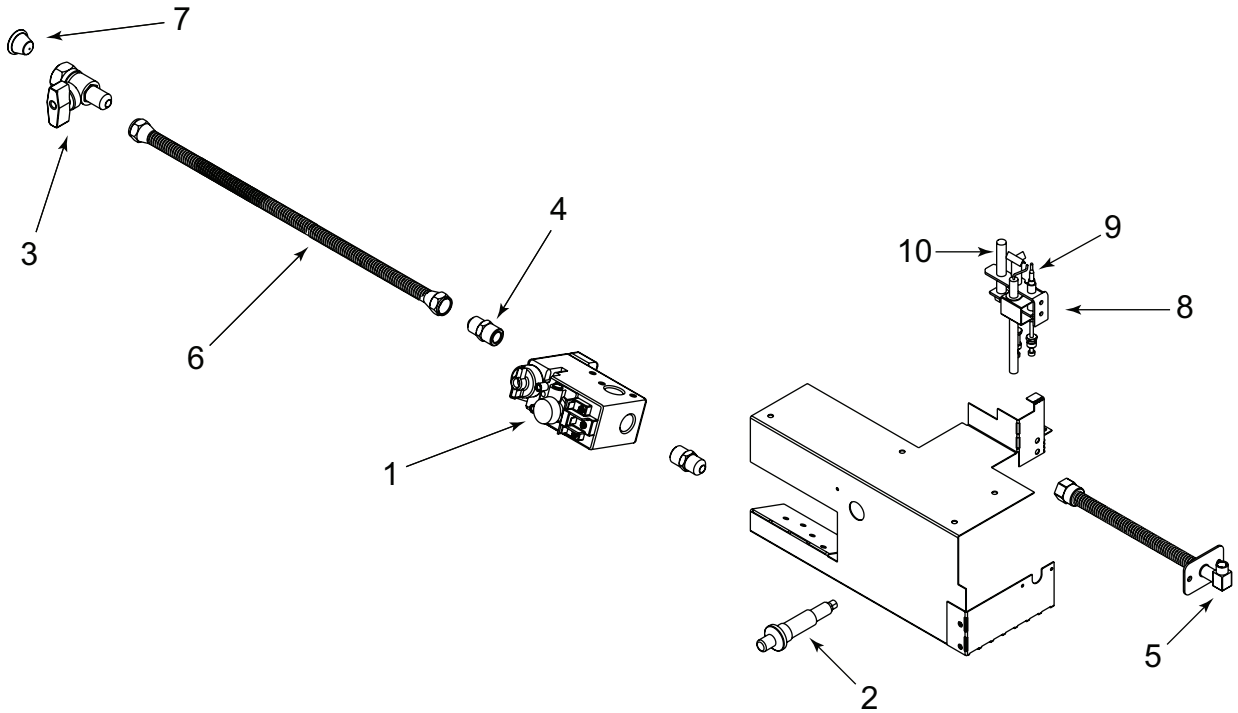
GB4942 SERIES

Service Parts List
42 in. Geneva Gas Fireplace

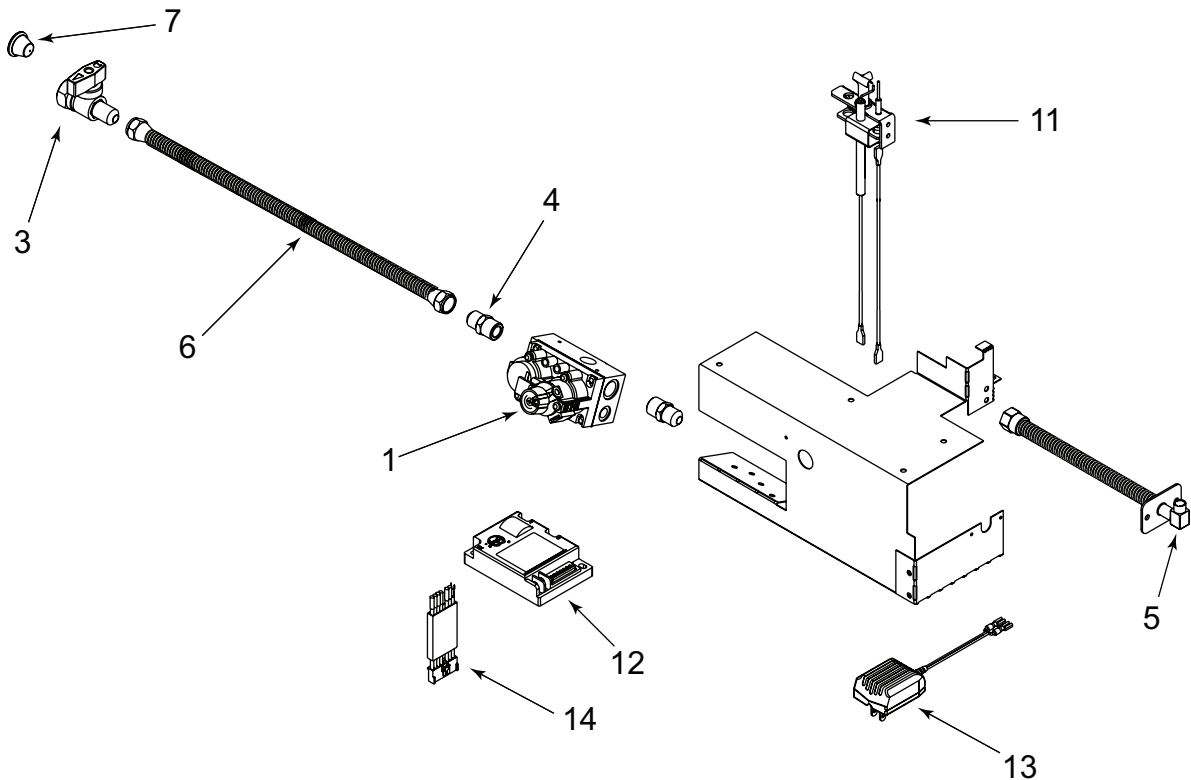
Beginning Manufacturing Date: 1/19/04
Ending Manufacturing Date: Active

#	Description of Part	GB4942	GB4942L	GB4942I	GB4942IL	Qty.
	Log/Grate Assembly	4003-073	4003-073	4003-073	4003-073	1
1	Right Log	4003-118	4003-118	4003-118	4003-118	1
2	Left Log	4003-119	4003-119	4003-119	4003-119	1
3	Hearth Log	4003-114	4003-114	4003-114	4003-114	1
4	Back Log	4003-120	4003-120	4003-120	4003-120	1
5	Air Kit	26866	26866	26866	26866	1
	Fastener Pack	17916B	17916B	17916B	17916B	1
	Long Cable Tie	19954A	19954A	19954A	19954A	2
	Outside Air Shield	33271	33271	33271	33271	1
	Air Kit Installation Instructions	35145	35145	35145	35145	1
	Wool, Rock, Vermiculite	30833	30833	30833	30833	1
	Mineral Wool	14333B	14333B	14333B	14333B	2
	Vermiculite	28746	28746	28746	28746	1
	Lava Rock (2lb. Bag)	4021-296	4021-296	4021-296	4021-296	2
	Ember Tray	4003-092	4003-092	4003-092	4003-092	1
	Face Assembly					
	Hairpin Clip	101025	101025	101025	101025	2
6	Hood	29576	29576	29576	29576	1
	Door Pivot Clip	31527	31527	31527	31527	2
7	Firescreen Assembly	32734	32734	32734	32734	2
	Firescreen Ring	11857B	11857B	11857B	11857B	4
	Screen Panel	24737	24737	24737	24737	1
	Screen Handle	4021-150	4021-150	4021-150	4021-150	1
8	Top Front	32818	32818	32818	32818	1
	Top Air Deflector	33198	33198	33198	33198	1
9	Nailing Flange	31190	31190	31190	31190	4
10	Junction Box Kit	31581	31581	31581	31581	1
	Junction Box	21878	21878	21878	21878	1
	Romex Connector	32536	32536	32536	32536	1
11	Gas Access Panel	31636	31636	31636	31636	2
12	Top Standoffs	11864i	11864i	11864i	11864i	4
	Back Baffle	13961	13961	13961	13961	1
	Geneva Pack			4003-127	4003-127	1
	Outside Air Handle	17333	17333	17333	17333	1
	Fastener Pack	35477	35477	35477	35477	1
	Geneva Installation Instructions	4003-085	4003-085	4003-085	4003-085	1
	Gas Operations Manual	71680	71680	71680	71680	1
	Battery Pack			593-594A	593-594A	1

Standing Pilot Valve Assembly

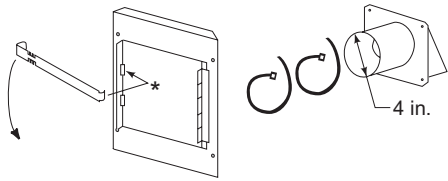


Intermittent Pilot Valve Assembly



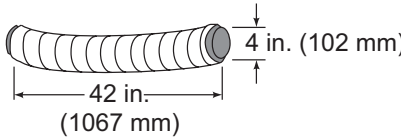
#	Description of Part	GB4942	GB4942L	GB4942I	GB4942IL	Qty.
	Valve Assembly	4003-103	4003-104	4003-105	4003-106	1
1	Valve	24033	24034	750-500	750-501	1
2	Push Button Ignitor	13416	13416	13416	13416	1
	Cord Clip	14218	14218	14218	14218	1
3	ON/OFF Valve	15697	15697	15697	15697	1
4	Brass Connector - Male - Flex	17069	17069	17069	17069	2
5	Flex Bulkhead	4021-086	4021-086	4021-086	4021-086	1
6	16 in. Stainless Steel Flex Gas Line	17245B	17245B	17245B	17245B	1
	Long Cable Tie	19954A	19954A	19954A	19954A	1
7	Dust Cap	23491	23491	23491	23491	1
8	Pilot Assembly	25660	25661			1
9	Thermocouple	72956	72956			1
10	Thermopile	060-512	060-512			1
11	Pilot			4021-005	4021-006	1
12	Ignition Control Module *must order Velcro Strips*			593-592	593-592	1
	Velcro Strips			17439A,17440A	17439A,17440A	1ea
13	3V Transformer			593-593A	593-593A	1
	Battery Pack			593-594A	593-594A	1
	Wall Switch Wire Assembly	28602	28602	4018-018	4018-018	1
	HIBLK67FP Wire Assembly	32347	32347			1
	HIBLK60FM Wire Assembly			34937	34937	1
	HIBLU60FF Wrie Assembly			4018-019	4018-019	1
14	Wire Assembly			593-590A	593-590A	1
	C-Style Orifice (#32) - NG	582-832		582-832		1
	C-Style Orifice (#51) - LP		582-851		582-851	1

C. Optional Components

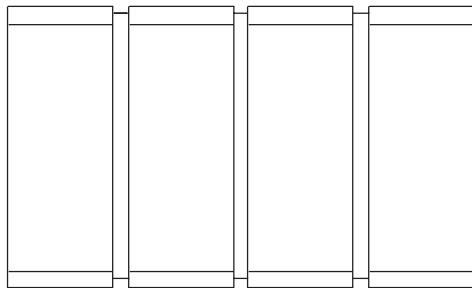
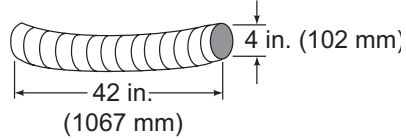


AK14 - Air Kit

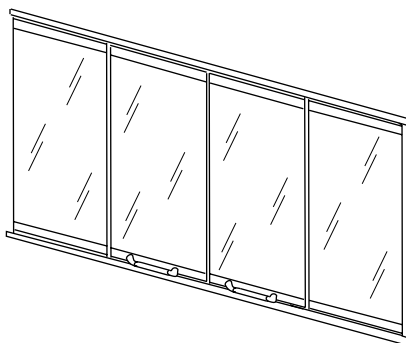
ID4 Insulated Duct



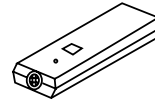
UD4 Uninsulated Duct



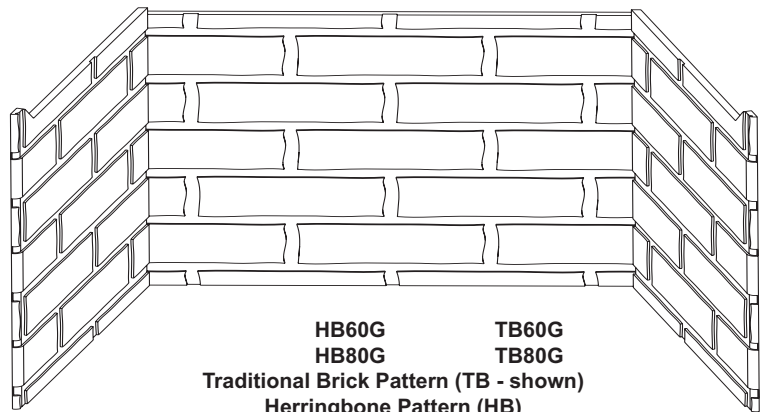
**DM1036, DM1036B, DM1036S
DM1042, DM1042B, DM1042S
Bifold Doors**



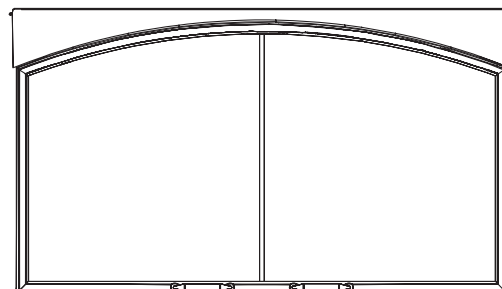
**DF361B/S
DF421B/S
Fixed Glass Doors**



**RC-SMART-HTL
Remote Control
RCT-MLT-HTL
Multifunctional Remote
RC-BATT-HTL
Battery Operated Remote Control
(Standing Pilot)
SMART-STAT-HTL
Remote control with Thermostat Control
SMART-BATT-HTL
Battery-operated Remote Control
with Thermostat Control**



**HB60G TB60G
HB80G TB80G
Traditional Brick Pattern (TB - shown)
Herringbone Pattern (HB)
Refractory**



**DMA1036B
DMA1042B
Arched Door**

This page intentionally left blank.

This page intentionally left blank.

D. Limited Lifetime Warranty



Gas Appliance (Fireplace) Limited Lifetime Warranty

HEARTH & HOME TECHNOLOGIES INC. ("HHT") extends the following warranty for HEATILATOR® gas appliances installed in the United States of America or Canada (the "Appliance"). Dealers and employees of HHT have no authority to make any warranty or authorize any remedies in addition to or inconsistent with the terms of this warranty.

Limited Lifetime Warranty

HHT warrants the Appliance for component failure due to a manufacturing defect of any of the following components: combustion chamber, burner pan, and logs. The Limited Lifetime Warranty specified above is subject to the conditions, exclusions and limitations listed below, is for the period the Appliance is owned by the original homeowner only, and is nontransferable.

1 Year Limited Warranty

HHT warrants the Appliance to be free from failure of any of the following components for a period of one year after installation: valve, flexible gas line connector, glass panel, fan, direct vent chimney components, factory paint, gasket, piezo ignitor, thermopile, thermocouple, junction box, pilot assembly, shutoff valve, high limit switch, refractory liners, transformer, and control box. If the Heatilator Appliance is found to be defective in either material or workmanship within one year of the date of original installation, HHT will provide replacement parts at no charge and pay reasonable labor and freight costs, and is for the period of one year following the date of original installation of the Appliance.

Conditions, Exclusions, & Limitations of Liability

- A. Both the Limited Lifetime and 1 Year Limited Warranties supplied by HHT apply only while the Appliance is in its location of original installation. HHT's obligation under this warranty does not extend to damages resulting from (1) installation, operation or maintenance of the Appliance not in accordance with the Installation Instructions, Operating Instructions, and the Listing Agent Identification Label furnished with the Appliance; (2) installation which does not comply with local building codes; (3) shipping, improper handling, improper operation, abuse, misuse, accident or unworkmanlike repairs; (4) environmental conditions, inadequate ventilation or drafting caused by tight sealing construction of the structure, air handling devices such as exhaust fans or forced air furnaces, or other causes; (5) use of fuels other than those specified in the Operating Instructions; (6) installation or use of components not supplied with the Appliance or any other components not expressly authorized and approved by HHT; and/or (7) modification of the Appliance not expressly authorized and approved by HHT in writing. This warranty is limited to only the component parts manufactured or supplied by HHT.
- B. HHT's liability under both the Limited Lifetime Warranty and the 1 Year Limited Warranty is limited to the replacement and repair of defective components or workmanship during the applicable period. HHT may fully discharge all of its obligations under such warranties by repairing the defective component(s) or at HHT's discretion, providing replacement parts at no charge and paying reasonable labor and freight costs.
- C. **EXCEPT TO THE EXTENT PROVIDED BY LAW, HHT MAKES NO EXPRESS WARRANTIES OTHER THAN THE WARRANTY SPECIFIED HEREIN. THE DURATION OF ANY IMPLIED WARRANTY IS LIMITED TO DURATION OF THE WARRANTY SPECIFIED ABOVE.**
- D. Some states do not allow exclusions or limitations of incidental or consequential damages, so those limitations may not apply to you. This warranty gives you specific rights; you may also have other rights which vary from state to state.

How to Obtain Service

To obtain service under this warranty you must:

1. Send written notice of the claimed condition to Heatilator Technical Service Department, Hearth & Home Technologies, 1915 W. Saunders Street, Mt. Pleasant, Iowa 52641-1563. You may also register your claim online at www.heatilator.com.
2. Provide proof of purchase, model number, serial number, and manufacturing date code to HHT.
3. Provide HHT reasonable opportunity to investigate the claim, including reasonable opportunity to inspect the Appliance prior to any repair or replacement work and before the Appliance or any component of the Appliance has been removed from the place of original installation.
4. Obtain HHT's consent to any warranty work before the work is done.

ADDITIONAL INFORMATION:

If you would like information on current HEATILATOR products or want to locate a dealer in your area, call 1-800-927-6841.

©2003 Heatilator® is a Registered Trademark of Hearth & Home Technologies Inc.

E. Contact Information

heatilator®



The first name in fireplaces

Hearth & Home Technologies Inc.
1915 W. Saunders Street
Mt. Pleasant, Iowa 52641
www.heatilator.com

Please contact your Heatilator dealer with any questions or concerns.

For the number of your nearest Heatilator dealer, please call 1-800-927-6841.

- NOTES -

CAUTION		
	DO NOT DISCARD THIS MANUAL	
Important operating and maintenance instructions included.	• Read, understand and follow these instructions for safe installation and operation.	• Leave this manual with party responsible for use and operation.

This product may be covered by one or more of the following patents: (United States) 4593510, 4686807, 4766876, 4793322, 4811534, 5000162, 5016609, 5076254, 5113843, 5191877, 5218953, 5263471, 5328356, 5341794, 5347983, 5429495, 5452708, 5542407, 5601073, 5613487, 5647340, 5688568, 5762062, 5775408, 5890485, 5931661, 5941237, 5947112, 5996575, 6006743, 6019099, 6048195, 6053165, 6145502, 6170481, 6237588, 6296474, 6374822, 6413079, 6439226, 6484712, 6543698, 6550687, 6601579, 6672860, 6688302B2, 6715724B2, 6729551, 6736133, 6748940, 6748942, 6769426, 6774802, 6796302, 6840261, 6848441, 6863064, 6866205, 6869278, 6875012, 6880275, 6908039, 6919884, D320652, D445174, D462436; (Canada) 1297749, 2195264, 2225408, 2313972; (Australia) 780250, 780403, 1418504 or other U.S. and foreign patents pending.