

Users Manual for CS458TXN

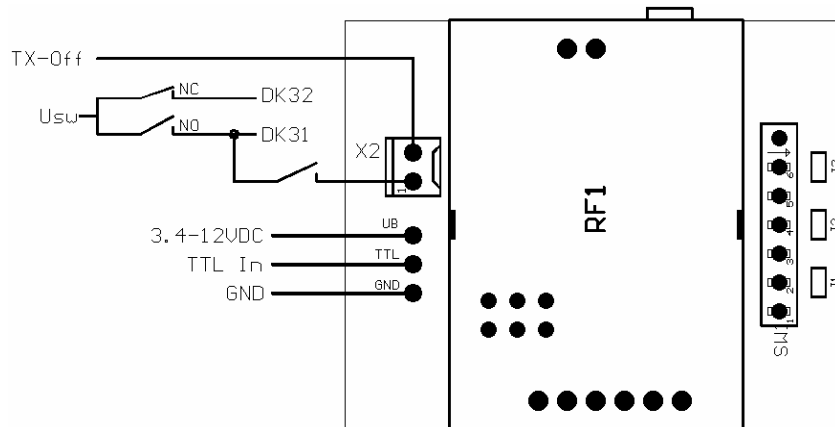
FCC ID: LW9-CS458TXN

Canada: 2119B-CS458TXN

Note: No user modifications to the device are allowed. Any changes or modifications not expressly approved by the manufacturer could void the user's authority to operate the equipment.

The CS458TXN is a standard Hetronic transmitter with 458MHz frequency. The module is using FSK narrow band modulation. This module can work with serial data of 2400 to 9600 baud. The internal voltage regulator supports voltages of 3.4-12VDC with a current consumption of less than 40mA.

The CS458TXN has two main connectors. The first is X1; this connector has Power (VCC) and Ground (GND) going into it and a TTL signal coming in. The second is X2; decrement switch should be installed on X2.1 using Usw supply from coder (Active Hi). This switch should be interlocked with the E-Stop switch so that when channel is changing, the machine will not go into timeout condition. X2.2 is Tx-off, when connected to ground Tx is off and when open Tx is on.



Connector Layout for CS458TXN

The actual labeled and assembled unit will look similar to the one pictured below:



Assembled CS458TXN