



# **3Com® WLAN Managed Access Point AP3950**

## Quick Installation Guide

**3CRWX395075A Model AP3950**

Copyright © 2008, 3Com Corporation. All rights reserved. No part of this documentation may be reproduced in any form or by any means or used to make any derivative work (such as translation, transformation, or adaptation) without written permission from 3Com Corporation.

3Com Corporation reserves the right to revise this documentation and to make changes in content from time to time without obligation on the part of 3Com Corporation to provide notification of such revision or change.

3Com Corporation provides this documentation without warranty, term, or condition of any kind, either implied or expressed, including, but not limited to, the implied warranties, terms, or conditions of merchantability, satisfactory quality, and fitness for a particular purpose. 3Com may make improvements or changes in the product(s) and/or the program(s) described in this documentation at any time.

If there is any software on removable media described in this documentation, it is furnished under a license agreement included with the product as a separate document, in the hardcopy documentation, or on the removable media in a directory file named LICENSE.TXT or !LICENSE.TXT. If you are unable to locate a copy, please contact 3Com and a copy will be provided to you.

**UNITED STATES GOVERNMENT LEGENDS:**

If you are a United States government agency, then this documentation and the software described herein are provided to you subject to the following:

**United States Government Legend:** All technical data and computer software is commercial in nature and developed solely at private expense. Software is delivered as Commercial Computer Software as defined in DFARS 252.227-7014 (June 1995) or as a commercial item as defined in FAR 2.101(a) and as such is provided with only such rights as are provided in 3Com's standard commercial license for the Software. Technical data is provided with limited rights only as provided in DFAR 252.227-7015 (Nov 1995) or FAR 52.227-14 (June 1987), whichever is applicable. You agree not to remove or deface any portion of any legend provided on any licensed program or documentation contained in, or delivered to you in conjunction with guide.

Unless otherwise indicated, 3Com registered trademarks are registered in the United States and may or may not be registered in other countries.

3Com and the 3Com logo are registered trademarks of 3Com Corporation.

All other company, brand, and product names may be registered trademarks or trademarks of the respective companies with which they are associated.



# 3COM

## Quick Installation Guide

---

### **AP3950 IEEE 802.11n Managed Access Point**

**3CRWX395075A**

The 3Com AP3950 Managed Access Point provides IEEE 802.11n/b/g, and 802.11n/a wireless access to the network. The access point is designed for use with a 3Com Wireless LAN Controller, and requires hardware installation only. All configuration for the access point takes place on the 3Com Wireless LAN Controller.

You must have a wireless controller device to operate the access point. Four WLAN controller devices can be connected to the access point:

- 3Com WX4400
- 3Com WX2200
- 3Com WX1200
- 3Com WXR100

Power is supplied via Power Over Ethernet (PoE). Since the throughput of the AP 3950 is greater than 100Mb/s, it is recommended that the AP 3950 be connected to a Gigabit Ethernet port. The following 3Com PoE devices supply power to the access point:

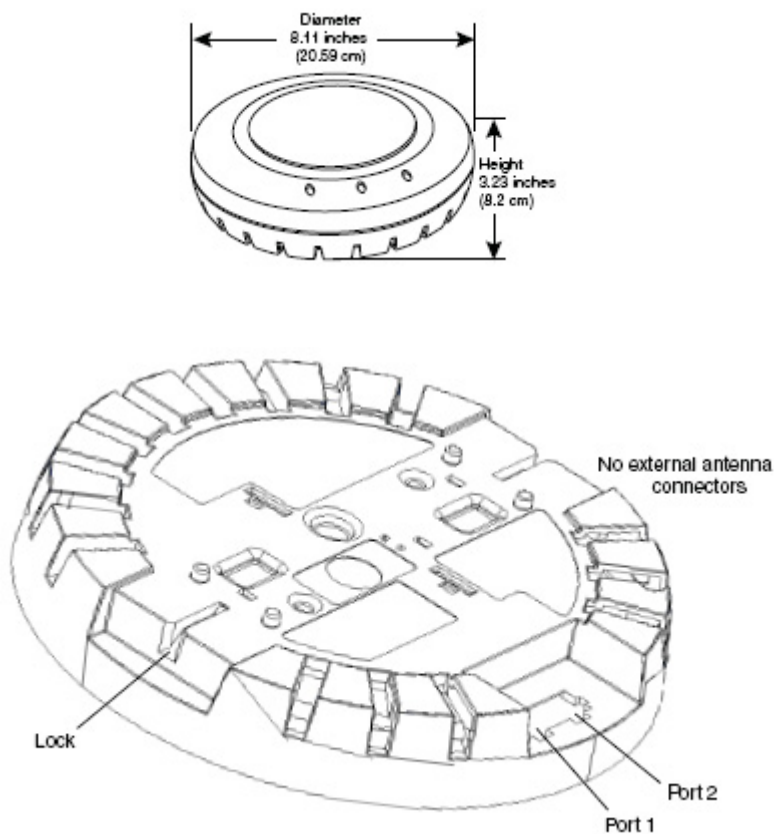
- 3Com PoE Injector (such as the 3CNJ1000PSE)
- 3Com WXR100
- 3Com 4400G PoE Switch
- 3Com 5500G PoE Switch

### **About This Guide**

This Quick Start Guide describes the basic installation of the access point. It covers the following topics:

- 3Com AP3950 Managed Access Point Features
- Observing Safety Precautions
- Step 1: Unpacking the Access Point
- Step 2: Preparing for Installation
- Step 3: Mounting the Access Point
- Step 4: Connecting the Access Point to a Controller
- Step 5: Configuring the Access Point
- Step 6: Checking the LED Indicators

## 3Com AP3950 Managed Access Point Features



### Kensington Security Slot

The access point has a slot for attachment of a Kensington security cable. The cable is not included with the access point but can be ordered separately.

### Lock and Unlock Holes

On one side of the access point there is a lock hole. On the other side there is an unlock hole. Insert a 3-mm or 1/8-inch screwdriver into the appropriate hole to attach and remove the access point from the mounting bracket.



**CAUTION:** To prevent possible damage to the access point, do not use excessive force when inserting a tool into the lock or unlock hole.

## RJ-45 Cable Ports

The access point has two RJ-45 ports. Each port provides a 10/100/1000BASE-TX Ethernet connection to a WX controller. The connection can be direct to an WX controller or indirect through an intermediate Layer 2 or Layer 3 network. For best performance, it is not recommended that the AP 3950 be connected directly to the WXR100 or WX1200 wireless controller as these controllers only have 10/100 ports.

The access point receives power and data through the RJ-45 ports. Use a Category 5 (Cat 5) cable with straight-through signaling and standard RJ-45 connectors to connect an access point to a controller in the network.

The two RJ-45 ports support dual-homed configurations for redundancy. The access point uses only one link for booting, configuration, and data transfer. If the link becomes unavailable, the access point can reboot using the other link. This second port can also be used for supplying additional power. Since the AP 3950 is a dual radio 802.11a/b/g/n access point, its power draw is slightly greater than what 802.3af power can supply. When only a single 802.3af power connection is applied, the AP uses two transmitters rather than all three (i.e. 2 x 3 MIMO). When dual 802.3af ports are used, the AP comes up in full 3 x 3 MIMO mode for extended ranges. You can also power the AP via a single 802.3af+, also known as pre-802.3at, switch or injector to get full 3 x 3 MIMO mode.

The ports are identical except for logical numbering (1 or 2). You can use either port to connect the access point to a WX controller. However, the access point always attempts to boot on port 1 first. Only if the boot attempt on port 1 fails does the access point attempt to boot on port 2. If one port becomes unavailable, the other port can provide full power to the access point.



**Note:** The access point does not support daisy-chain configurations. Do not connect the access point to another AP3950 access point.

---

## Observing Safety Precautions

This equipment must be installed in compliance with local and national building codes, regulatory restrictions, and FCC rules. For the safety of people and equipment, only professional network personnel should install the access point



**WARNING:** To comply with FCC radio frequency (RF) exposure limits, a minimum body-to-antenna distance of 20 cm (8 inches) must be maintained when the access point is operational.

---



**WARNING:** To avoid possible injury or damage to equipment, you must use power supply equipment that is safety certified according to UL, CSA, IEC, or other applicable national or international safety requirements for the country of use. All references to power supply in this document refer to equipment meeting these requirements.

---



**WARNING:** Do not operate the access point near unshielded blasting caps or in an otherwise explosive environment unless the device has been modified for such use by qualified personnel.

---



**WARNING:** Do not touch or move the access point when the antennas are transmitting or receiving.

---



**WARNING:** Do not hold any radio device so that the antenna is very close to or touching the face, eyes, or other exposed body part while the device's radio antenna is transmitting.

---



**WARNING:** Before using a wireless device in a hazardous location, consult the local codes, national codes, and safety directors of the location for usage constraints.

---



**WARNING:** Do not connect or disconnect cables or otherwise work with the access point hardware during periods of lightning activity.

---



**NOTE:** The access point is intended for indoor use only. Do not install the device outdoors, unless you install it in a properly installed enclosure.

---



**NOTE:** To reduce the possibility of connection interference caused by dust, clean the Category 5 connector pins before inserting a cable into the access point.

---

## 1 Unpacking the Access Point

Make sure that you have the following items, which are included with the access point:

- Mounting Kit:
  - One universal mounting bracket (attached to the access point)
  - One paper mounting template (used for marking cutting areas and screw holes)
  - One two-piece 14.2-mm (9/16-inch) T-bar clamp
  - One two-piece 15.9-mm (5/8-inch) T-bar clamp
  - One two-piece 23.9-mm (15/16-inch) T-bar clamp
  - Two #6 sheet metal screws and two drywall anchors
- Three adhesive rubber feet (used for a tabletop installation).

## 2 Preparing for Installation

It is advisable to connect the power (if using an external power supply) and check the Ethernet cables and LEDs before installing the access point in a hard-to-reach location. Additionally, observe the following before mounting or connecting the access point:

- **Cabling** Make sure that standard Category 5 cable with straight-through signaling is installed at the site before you install the access point. Make sure that the cable is highly flexible and that there is no extra covering on the RJ-45 connector that could prevent the cable from being routed through the mounting bracket
- **Power** Power must be supplied via an 802.3af Power Over Ethernet (PoE)-compliant device. Removal of the Ethernet cable is the only method of disconnecting power from the access point. With the advanced functionality of three transmitters and three receivers (3 x 3 MIMO) in this dual radio 802.11a/b/g/n Access Point, the AP 3950 power demands exceed the 802.3af power limits. The AP 3950 has an auto-sense capability so that, when only 802.3af power is supplied, it turns on in a 2 x 3 mode. When 802.3af+ (also known as pre-802.3at) or two 802.3af ports are used, the AP 3950 comes up in full 3 x 3 mode.

- **MAC Address** Record the access point MAC address in a safe place before the access point is installed in a hard-to-reach location. The MAC address is printed on the back of the access point. Additional MAC address labels are shipped with the access point.

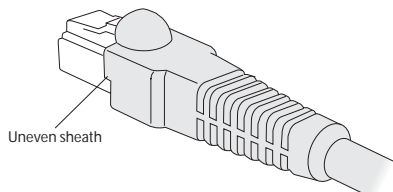
### 3 Mounting the Access Point

The access point can be mounted on the following types of surfaces:

- Suspended ceiling — flush ceiling tiles
- Suspended ceiling — drop ceiling tiles
- Junction box
- Solid wall or ceiling
- Tabletop

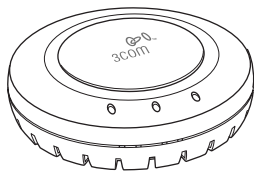
## Cable Requirement

The Ethernet ports on the access point cannot accept a Category 5 cable that has an uneven sheath such as the one shown in the figure below. The RJ-45 connector on the cable will not seat properly in the receptacle on the access point. Use a Category 5 cable with an even sheath instead.

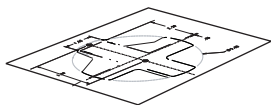


## Suspended Ceiling — Flush Ceiling Tiles

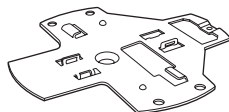
This procedure applies to T-bars that are 23.9 mm (15/16 inches) wide. For a 14.2-mm (9/16-inch) or 15.9-mm (5/8-inch) T-bar, go to "Suspended Ceiling Installation — Drop Ceiling Tiles" on page 8.



AP3950 access point

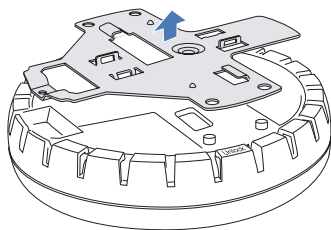
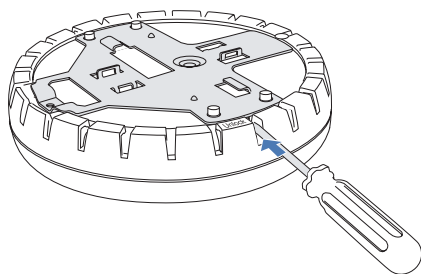


Mounting template



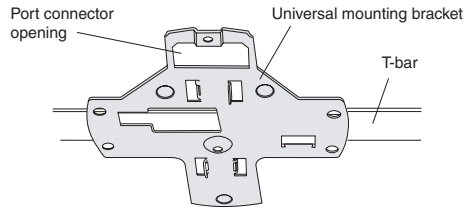
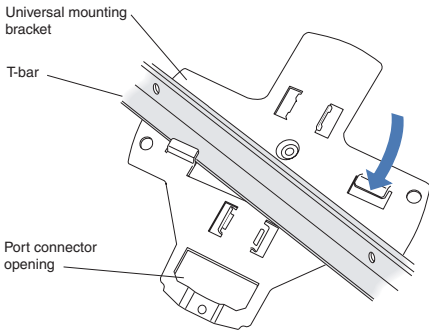
Mounting bracket

- 1 Use the mounting template to cut a hole for the Category 5 cable.
- 2 Remove the mounting bracket from the access point.



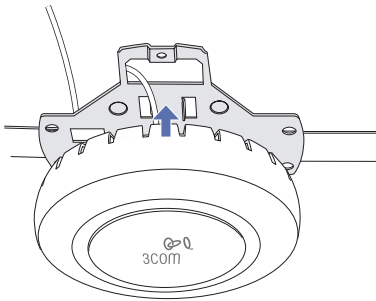


**3 Attach the mounting bracket to the T-bar clamp.**

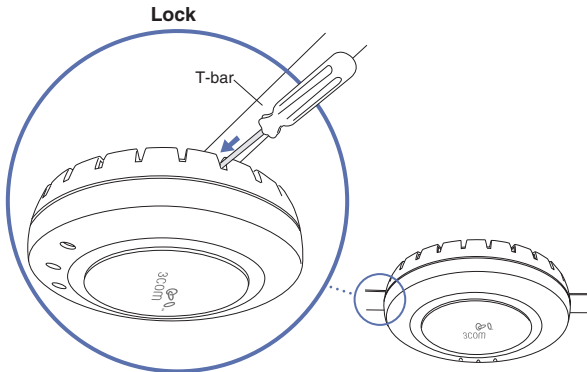


*(Viewed from above ceiling tiles, looking down.)*

**4 Insert the Category 5 cable through the port connector opening in the mounting bracket, then plug the cable into the access point.**

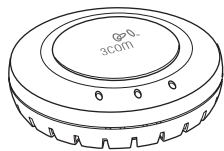


**5 Attach the access point to the mounting bracket**

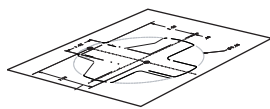


## Suspended Ceiling Installation — Drop Ceiling Tiles

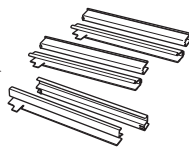
This procedure applies to T-bars that are 23.9 mm (15/16 inches), 14.2 mm (9/16 inches), or 15.9 mm (5/8 inches) wide. You can also use this procedure for flush ceilings with 14.2-mm (9/16-inch) or 15.9-mm (5/8-inch) T-bars.



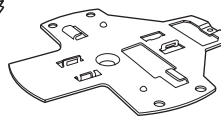
AP3950 access point



Mounting template

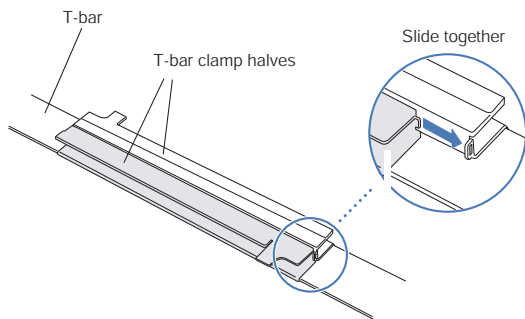


T-bar clamps  
(use set that fits T-bar)

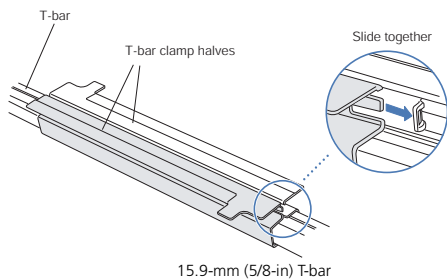


Mounting bracket

- 1 Use the mounting template to cut a hole for the Category 5 cable.
- 2 Install the T-bar clamp that fits the T-bar.

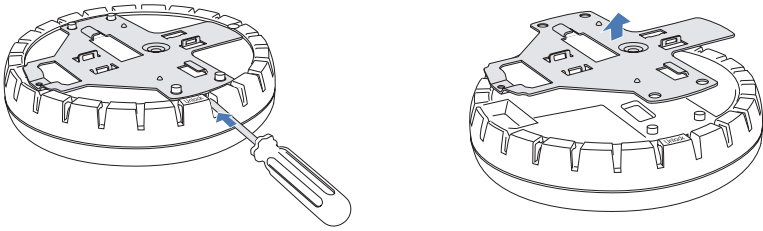


23.9-mm (15/16-in) or 14.2-mm (9/16-in) T-bar  
(The clamps are different widths but the assembly is the same.)

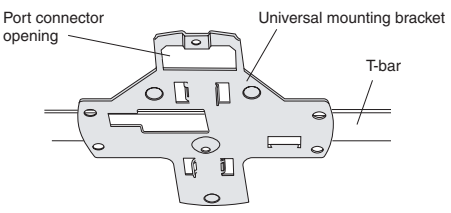
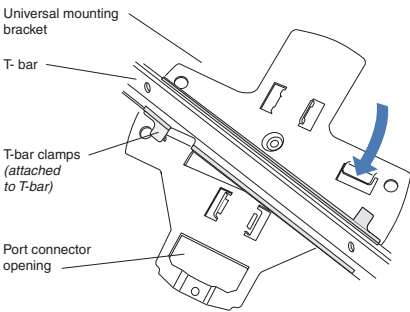


15.9-mm (5/8-in) T-bar

**3 Remove the mounting bracket from the access point.**

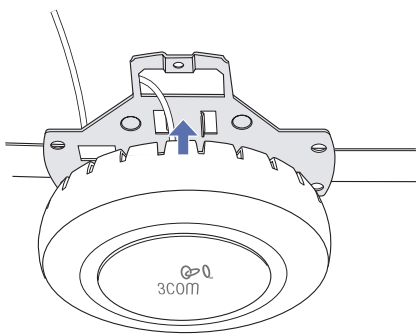


**4 Attach the mounting bracket to the T-bar clamp.**

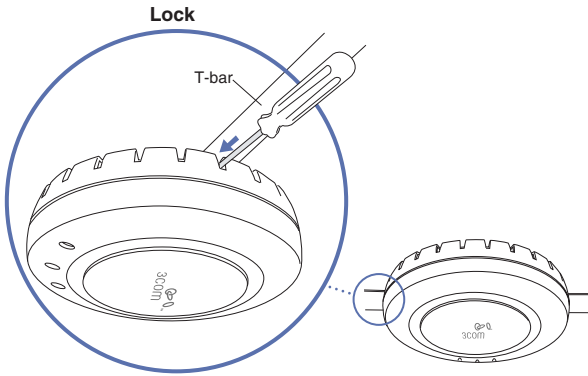


*(Viewed from above ceiling tiles, looking down.)*

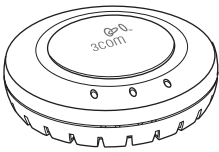
**5 Insert the Category 5 cable through the port connector opening in the mounting bracket, then plug the cable into the access point.**



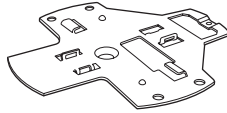
**6 Attach the access point to the mounting bracket.**



## Junction Box Installation



**AP3950 access point**

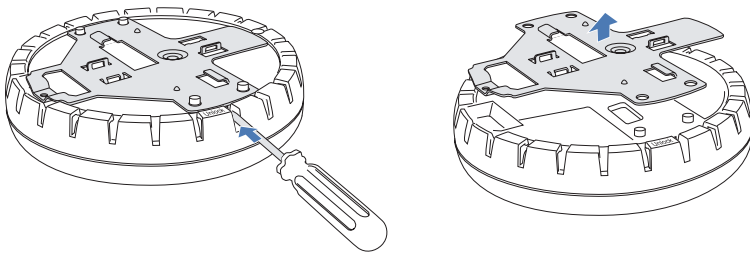


**Mounting bracket**

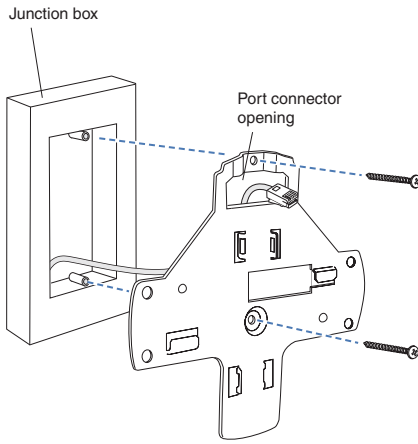


**Mounting hardware**

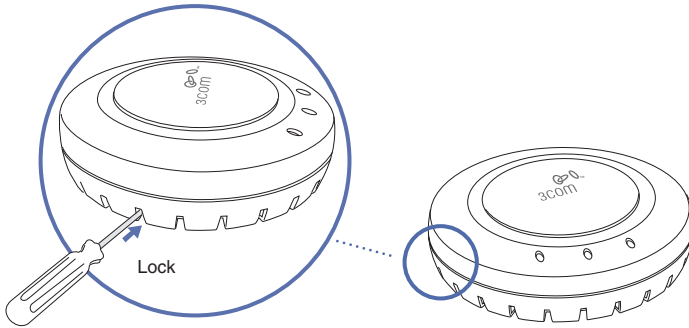
**1 Remove the mounting bracket from the access point.**



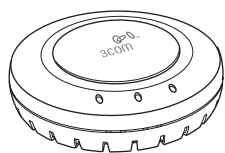
**2 Attach the bracket to the junction box.**



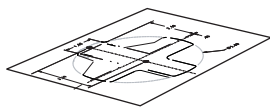
**3 Plug the Category 5 cable into the access point and attach the access point to the mounting bracket.**



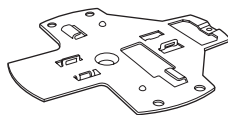
## Solid Wall or Ceiling Installation



AP3950 access point



Mounting template

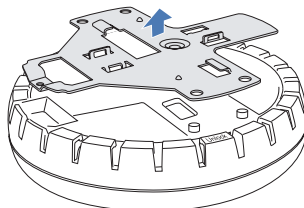
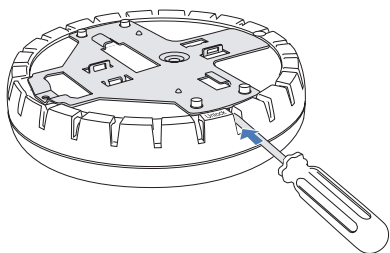


Mounting bracket

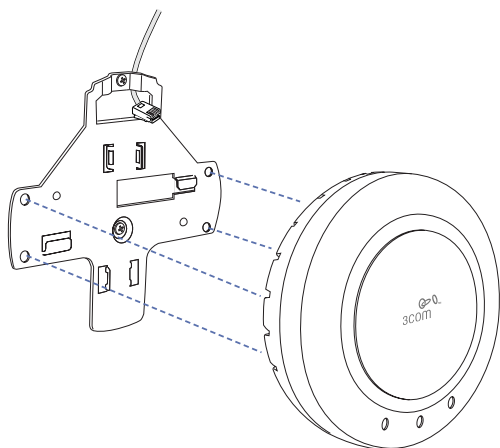


Mounting hardware

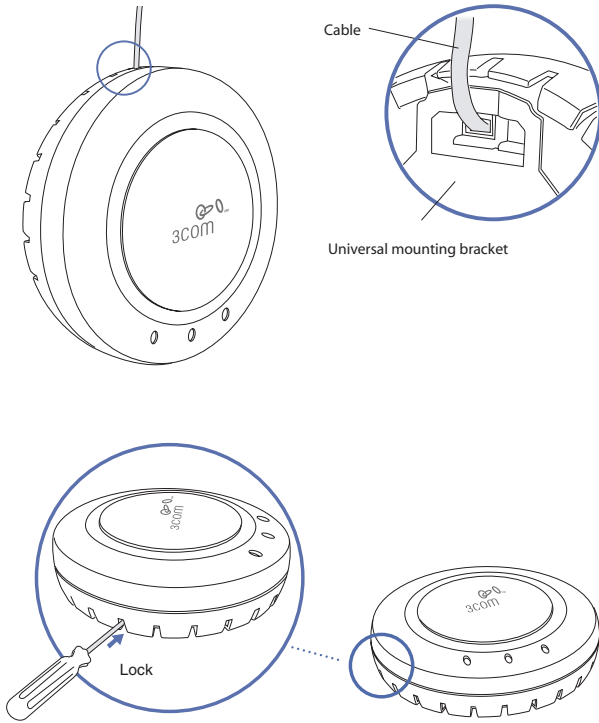
- 1 Use the mounting template to cut a hole for the Category 5 cable.
- 2 Remove the mounting bracket from the access point.



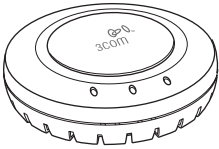
- 3 Attach the bracket to the wall or ceiling.



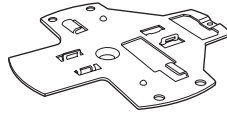
- 4 Plug the Category 5 cable into the access point and attach the access point to the mounting bracket.



# Tabletop Installation



AP3950 access point

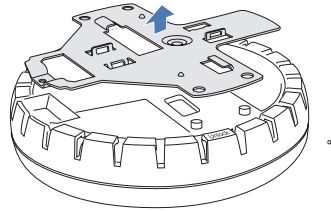
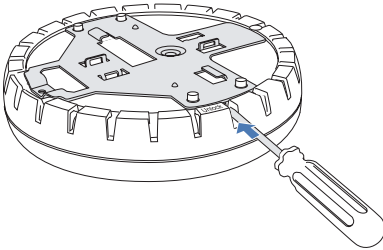


Mounting bracket

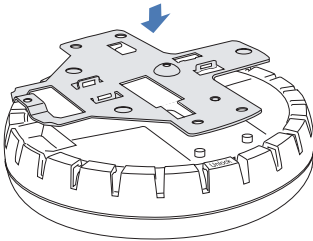


Rubber feet

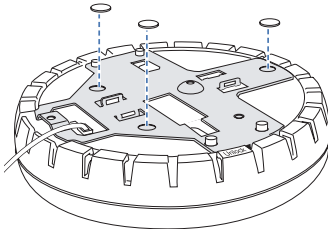
- 1 Remove the mounting bracket from the access point.



- 2 Reverse the bracket and reattach it to the access point.



- 3 Attach the rubber feet.



- 4 Turn the access point over and place it on the table.
- 5 Plug the Category 5 cable into the access point.



## 4 Connecting the Access Point to a Controller

3Com recommends that you install and configure the 3Com Wireless LAN Controller before installing the access point. If the controller is already installed and configured for the access point, you can immediately verify the cable connection when you plug the cable into the access point.



**WARNING:** Do not connect or disconnect cables or otherwise work with the access point during periods of lightning activity.

---

You can connect the access point directly to a 3Com Wireless LAN Controller port or indirectly to 3Com Wireless LAN Controllers through an intermediate Layer 2 or Layer 3 network. In either case, use Category 5 cable with straight-through signaling for each access point connection.

- To connect the access point directly to a 3Com Wireless LAN Controller, configure the controller port as an AP3950 managed access point and then insert the cable into the controller and verify the link.
- To connect the access point indirectly to a 3Com Wireless LAN Controller through the network, configure a Distributed Access Point connection on the controller.



**Note:** You can use the CLI or 3WXM to configure an AP3950 access port or Distributed Access Point connection. See the *3Com Wireless LAN Switch and Controller Configuration Guide* or the *3Com Wireless LAN Switch Reference Manual*.

---

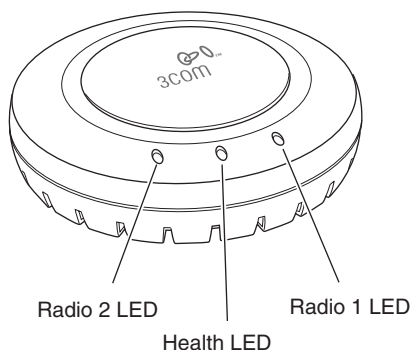
## 5 Configuring the Access Point

To configure the channels, power settings, and other access point parameters, see the following:

- "Configuring a WX Switch for Basic Service" chapter in the *3Com Wireless LAN Switch and Controller Installation and Basic Configuration Guide*.
- "Configuring MAP Access Points" chapter in the *3Com Wireless LAN Switch and Controller Configuration Guide*.

## 6 Checking the LED Indicators

When the access point is connected to power, LEDs indicate activity as follows:



840-9502-0010

LEDs	Color	Indicates
Health	Solid green	<ul style="list-style-type: none"> <li>The access point has a valid management link with a wireless controller.</li> <li>The access point has booted.</li> <li>The access point has received a valid configuration from a wireless controller.</li> <li>At least one radio is enabled or is in sentry mode on the access point.</li> </ul>
	Solid amber	The access point is waiting to receive boot instructions and a configuration file from a wireless controller.
	Alternating green and amber	The access point is booting and receiving its configuration file from a wireless controller.
Radio 1 (2.4 GHz) Radio 2 (5.0 GHz)	Solid green	A client is associated with the radio.
	Blinking green	Associated client is sending or receiving traffic.
	Blinking amber	Non-associated client is sending or receiving traffic.
	Alternating green and amber	The radio is unable to transmit. This state can occur because of any of the following: <ul style="list-style-type: none"> <li>Excessive radio interference in the environment is preventing the radio from sending beacons.</li> <li>The radio has failed.</li> </ul>
	Unlit	The radio is disabled. If the radio is enabled, no clients are associated with the radio and there is no traffic activity.

## Regulatory Information

The 3Com AP3950 Managed Access Point (3CRWX395075A) must be installed and used in strict accordance with the manufacturer's instructions as described in the user documentation that comes with the product.



**Note:** This product contains encryption. It is unlawful to export out of the U.S. without obtaining a U.S. Export License.

This product does not contain any user serviceable components. Any unauthorized product changes or modifications will invalidate 3Com's warranty and all applicable regulatory certifications and approvals. This product must be installed by a professional technician/installer.

### CAUTION: EXPOSURE TO RADIO FREQUENCY RADIATION

This device generates and radiates radio-frequency energy. In order to comply with FCC radio-frequency exposure guidelines for an uncontrolled environment, this equipment must be installed and operated while maintaining a minimum body-to-antenna distance of 20 cm (approximately 8 in.).

The installer of this radio equipment must ensure that the antenna is located or pointed such that it does not emit RF field in excess of Health Canada limits for the general population; consult Safety Code 6, obtainable from Health Canada's website [www.hc-sc.gc.ca/rpb](http://www.hc-sc.gc.ca/rpb).

This product must maintain a minimum body-to-antenna distance of 20 cm. Under these conditions this product will meet the Basic Restriction limits of 1999/519/EC [Council Recommendation of 12 July 1999 on the limitation of exposure of the general public to electromagnetic fields (0 Hz to 300 GHz)].

### USA - RADIO FREQUENCY REQUIREMENTS.

This device must not be co-located or operated in conjunction with any other antenna or transmitter.

This device is for indoor use only when using channels 36, 40, 44 or 48 in the 5.15 to 5.25 GHz frequency range.

High power radars are allocated as primary users of the 5.25 to 5.35 GHz and 5.65 to 5.85 GHz bands. These radar stations can cause interference with and/or damage this device.

### USA-FEDERAL COMMUNICATIONS COMMISSION (FCC) EMC Compliance

This equipment has been tested and found to comply with the limits for a Class B digital device, pursuant to Part 15 of FCC Rules. These limits are designed to provide reasonable protection against harmful interference in a residential installation.

This equipment generates, uses, and can radiate radio frequency energy. If not installed and used in accordance with the instructions, it may cause harmful interference to radio communications. However, there is no guarantee that interference will not occur in a particular installation. If this equipment does cause harmful interference to radio or television reception, which can be determined by tuning the equipment off and on, the user is encouraged to try and correct the interference by one or more of the following measures:

- Reorient or relocate the receiving antenna
- Increase the distance between the equipment and the receiver
- Connect the equipment to outlet on a circuit different from that to which the receiver is connected
- Consult the dealer or an experienced radio/TV technician for help

The user may find the following booklet prepared by the Federal Communications Commission helpful:

*The Interference Handbook*

This booklet is available from the U.S. Government Printing Office, Washington, D.C. 20402. Stock No. 004-000-0034504.

3Com is not responsible for any radio or television interference caused by unauthorized modification of the devices included with this 3Com AP3950 Managed Access Point (3CRWX395075A), or the substitution or attachment of connecting cables and equipment other than specified by 3Com.

The correction of interference caused by such unauthorized modification, substitution or attachment will be the responsibility of the user.

Changes or modifications not expressly approved by 3Com could void the user's authority to operate this equipment.

## MANUFACTURER'S FCC DECLARATION OF CONFORMITY

3Com Corporation  
350 Campus Drive  
Marlborough, MA 01752-3064, USA  
(800) 527-8677

Date: May 6, 2005

Declares that the Product:

Brand Name: 3Com Corporation

Model Number: AP3950

Equipment Type: Managed Access Point

Complies with Part 15 of the FCC rules. Operation is subject to the following two conditions: (1) this device may not cause harmful interference, and (2) this device must accept any interference received, including interference that may cause undesired operation.



3Com AP3950 Managed Access Point  
Model AP3950

## INDUSTRY CANADA (IC) - RF Compliance

This device complies with RSS 210 of Industry Canada.

Operation is subject to the following two conditions: (1) this device may not cause interference, and (2) this device must accept any interference, including interference that may cause undesired operation of this device.

L' utilisation de ce dispositif est autorisée seulement aux conditions suivantes: (1) il ne doit pas produire de brouillage et (2) l' utilisateur du dispositif doit être prêt à accepter tout brouillage radioélectrique reçu, même si ce brouillage est susceptible de compromettre le fonctionnement du dispositif.

The term "IC" before the equipment certification number only signifies that the Industry Canada technical specifications were met.

To reduce potential radio interference to other users, the antenna type and its gain should be so chosen that the equivalent isotropically radiated power (EIRP) is not more than that required for successful communication. To prevent radio interference to the licensed service, this device is intended to be operated indoors and away from windows to provide maximum shielding. Equipment (or its transmit antenna) that is installed outdoors is subject to licensing.

Pour empêcher que cet appareil cause du brouillage au service faisant l'objet d'une licence, il doit être utilisé à l'intérieur et devrait être placé loin des fenêtres afin de fournir un écran de blindage maximal. Si le matériel (ou son antenne d'émission) est installé à l'extérieur, il doit faire l'objet d'une licence.

High power radars are allocated as primary users of the 5.25 to 5.35 GHz and 5.65 to 5.85 GHz bands. These radar stations can cause interference with and/or damage this device.

## INDUSTRY CANADA (IC) EMISSIONS COMPLIANCE STATEMENT

This Class B digital apparatus complies with Canadian ICES-003.

## AVIS DE CONFORMITÉ À LA RÉGLEMENTATION D'INDUSTRIE CANADA


Cet appareil numérique de la classe B est conforme à la norme NMB-003 du Canada.

## SAFETY COMPLIANCE NOTICE

This device has been tested and certified according to the following safety standards and is intended for use only in Information Technology Equipment which has been tested to these or other equivalent standards:

- UL Standard 60950 (3rd Edition)
- CAN/CSA C22.2 No. 60950
- IEC 60950
- EN 60950

## EUROPE - EU DECLARATION OF CONFORMITY

 <p><b>Usage restrictions apply. See documentation</b></p>							
This equipment may be operated in							
AT	BE	CY	CZ	DK	EE	FI	FR
DE	GR	HU	IE	IT	LV	LT	LU
MT	NL	PL	PT	SK	SI	ES	SE
GB	IS	LI	NO	CH	BG	RO	TR

Intended use: IEEE 802.11a/b/g radio LAN device

NOTE: To ensure product operation is in compliance with local regulations, select the country in which the product is installed. Refer to the Wireless LAN Mobility System, Wireless LAN Switch and Controller Configuration Guide.

## EUROPE - DECLARATION OF CONFORMITY IN LANGUAGES OF THE EUROPEAN COMMUNITY

English	Hereby, 3Com Corporation, declares that this RLAN device is in compliance with the essential requirements and other relevant provisions of Directive 1999/5/EC.
Finnish	3Com Corporation vakuuttaa täten että RLAN device tyyppinen laite on direktiivin 1999/5/EY oleellisten vaatimusten ja sitä koskevien direktiivin muiden ehtojen mukainen.
Dutch	Hierbij verklaart 3Com Corporation dat het toestel RLAN device in overeenstemming is met de essentiële eisen en de andere relevante bepalingen van richtlijn 1999/5/EG. Bij deze verklaart 3Com Corporation dat deze RLAN device voldoet aan de essentiële eisen en aan de overige relevante bepalingen van Richtlijn 1999/5/EC.
French	Par la présente 3Com Corporation déclare que l'appareil RLAN device est conforme aux exigences essentielles et aux autres dispositions pertinentes de la directive 1999/5/CE. Par la présente, 3Com Corporation déclare que ce RLAN device est conforme aux exigences essentielles et aux autres dispositions de la directive 1999/5/CE qui lui sont applicables.
Swedish	Härmed intygar 3Com Corporation att denna RLAN device står i överensstämmelse med de väsentliga egenskapskrav och övriga relevanta bestämmelser som framgår av direktiv 1999/5/EG.
Danish	Undertegnede 3Com Corporation erklærer herved, at følgende udstyr RLAN device overholder de væsentlige krav og øvrige relevante krav i direktiv 1999/5/EF.
German	Hiermit erkläre 3Com Corporation, dass sich dieser/diese/dieses RLAN device in Übereinstimmung mit den grundlegenden Anforderungen und den anderen relevanten Vorschriften der Richtlinie 1999/5/EG befindet". (BMW) Hiermit erkläre 3Com Corporation die Übereinstimmung des Gerätes RLAN device mit den grundlegenden Anforderungen und den anderen relevanten Festlegungen der Richtlinie 1999/5/EG. (Wien).
Greek	ΜΕ ΤΗΝ ΠΑΡΟΥΣΑ 3Com Corporation ΔΗΛΩΝΕΙ ΟΤΙ Η RLAN device ΣΥΜΜΟΡΦΩΝΕΤΑΙ ΠΡΟΣ ΤΙΣ ΟΥΣΙΩΔΕΙΣ ΑΠΑΙΤΗΣΕΙΣ ΚΑΙ ΤΙΣ ΛΟΙΠΕΣ ΣΧΕΤΙΚΕΣ ΔΙΑΤΑΞΕΙΣ ΤΗΣ ΟΔΗΓΙΑΣ 1999/5/ΕΚ.
Italian	Con la presente 3Com Corporation dichiara che questo RLAN device è conforme ai requisiti essenziali ed alle altre disposizioni pertinenti stabilite dalla direttiva 1999/5/CE.
Spanish	Por medio de la presente 3Com Corporation declara que el RLAN device cumple con los requisitos esenciales y cualesquiera otras disposiciones aplicables o exigibles de la Directiva 1999/5/CE.

Portuguese	3Com Corporation declara que este RLAN device está conforme com os requisitos essenciais e outras disposições da Directiva 1999/5/CE.
Malti	Hawnhekk, 3Com Corporation, jiddikjara li dan RLAN device jikkonforma mal-htigijiet essenzjali u ma provwedimenti oħrajn relevant li hemm fid-Dirrettiva 1999/5/EC.
Estonian	Käesolevaga kinnitab 3Com Corporation seadme RLAN device vastavust direktiivi 1999/5/EÜ põhinõuetele ja nimetatud direktiivist tulenevatele teistele asjakohastele sätetele.
Hungarian	Alulírott, 3Com Corporation nyilatkozom, hogy a RLAN device megfelel a vonatkozó alapvető követelményeknek és az 1999/5/EC irányelv egyéb előírásainak.
Slovak	3Com Corporation týmto vyhlasuje, ze RLAN device spĺňa základné po_ľadavky a všetky príslušné ustanovenia Smernice 1999/5/ES.
Czech	3Com Corporation tímto prohlašuje, ze tento RLAN device je ve shodě se základními požadavky a dalšími příslušnými ustanoveními směrnice 1999/5/ES.
Slovene	Šiuo 3Com Corporation deklaruoja, kad šis RLAN device atitinka esminius reikalavimus ir kitas 1999/5/EB Direktyvos nuostatas.
Lithuanian	Šiuo 3Com Corporation deklaruoja, kad šis RLAN device atitinka esminius reikalavimus ir kitas 1999/5/EB Direktyvos nuostatas.
Latvian	Ar šo 3Com Corporation deklarē, ka RLAN device atbilst Direktīvas 1999/5/EK būtiskajām prasībām un citiem ar to saistītajiem noteikumiem.

A copy of the signed Declaration of Conformity can be downloaded from the Product Support web page for the AP3950 (3CRWX395075A) at <http://www.3com.com>.

Also available at [http://support.3com.com/doc/AP3950\\_EU\\_DOC.pdf](http://support.3com.com/doc/AP3950_EU_DOC.pdf)

## EUROPE - RESTRICTIONS FOR USE OF 2.4GHZ FREQUENCIES IN EUROPEAN COMMUNITY COUNTRIES

This device may be operated indoors or outdoors in all countries of the European Community using the 2.4GHz band: Channels 1 - 13, except where noted below.

- In Italy the end-user must apply for a license from the national spectrum authority to operate this device outdoors.
- In Belgium outdoor operation is only permitted using the 2.46 - 2.4835 GHz band: Channel 13.
- In France outdoor operation is only permitted using the 2.4 - 2.454 GHz band: Channels 1 - 7.

## EUROPE - RESTRICTIONS FOR USE OF 5GHZ FREQUENCIES IN EUROPEAN COMMUNITY COUNTRIES

Allowed Frequency Bands	Allowed Channel Numbers	Countries
5.15-5.25 GHz	36, 40, 44, 48	Austria
5.15-5.35 GHz	36, 40, 44, 48, 52, 56, 60, 64	Belgium, Cyprus, Czech Republic, France, Hungary, Liechtenstein, Slovakia, Switzerland
5.15-5.35 & 5.470-5.725GHz	36, 40, 44, 48, 52, 56, 60, 64, 100, 104, 108, 112, 116, 120, 124, 128, 132, 136, 140	Bulgaria, Denmark, Estonia, Finland, Germany, Greece, Iceland, Ireland, Italy, Latvia, Lithuania, Luxembourg, Malta, Netherlands, Norway, Poland, Portugal, Slovenia, Spain, Sweden, U.K.

- This device may not be operated outdoors when using the bands 5150-5350MHz (Channels 36, 40, 44, 48, 52, 56, 50, 64).
- In Italy the end-user must apply for a license from the national spectrum authority to operate this device outdoors.
- To remain in conformance with European spectrum usage laws for Wireless LAN operation, the above 2.4GHz and 5GHz channel limitations apply. The user should check the current channel of operation. If operation is occurring outside of the allowable frequencies as listed above, the user must cease operating the Managed Access Point at that location and consult the local technical support staff responsible for the wireless network.
- The 5GHz Turbo mode feature is not allowed for operation in any European Community country.
- This device must be used with the radar detection feature required for European Community operation in the 5GHz bands. This device will avoid operating on a channel occupied by any radar system in the area. The presence of nearby radar operation may result in temporary interruption in communications of this device. The Access Point's radar detection feature will automatically restart operation on a channel free of radar. You may consult with the local technical support staff responsible for the wireless network to ensure the Access Point device(s) are properly configured for European Community operation.
- Radio detection, as described above, is automatically enabled when the selected country of operation is within the European Community.
- To reduce potential radio interference to other users, output power and antenna gain should be no higher than that necessary for successful communication. The RF Auto-Tuning feature may be used to assist with this.

### Brazil RF Compliance

Este equipamento opera em caráter secundário, isto é, não tem direito a proteção contra interferência prejudicial, mesmo de estações do mesmo tipo, e não causar interferência a sistema operando em caráter primário.

---

Copyright © 2008 3Com Corporation. All rights reserved. 3Com and the 3Com logo are registered trademarks of 3Com Corporation. All other company and product names may be trademarks of the respective companies with which they are associated.

Part Number 10016916, Rev. AA  
Published July 2008