
Contents

Preparing for installation	2
Safety recommendations	2
Safety symbols	2
General safety recommendations	2
Determining the installation position	2
Accessories provided with the AP	3
Installation preparation checklist	4
Installing the AP	5
Mounting the AP on a table	5
Mounting the AP on a wall	6
Mounting the AP to a T-rail	9
Mounting the AP on a ceiling	12
Connecting the power supply	13
Connecting the AP to a local power supply	13
Connecting the AP to a PoE power supply	14
Connecting the AP to the network	14
Appendix A Chassis views and technical specifications	16
Chassis views	16
Weights and dimensions	17
Power consumption	17
Power specifications	17
AC voltage range	17
Power adapter specifications	17
Storage media and memory specifications	18
Appendix B LEDs	19

Preparing for installation

IMPORTANT:

For regulatory identification purposes, the HP 425 is assigned a regulatory model number (RMN) BJNGA–FB0002. This regulatory number should not be confused with the marketing name HP 425, or product code JG653A, JG654A, JG655A, JG656A, JG687A, and JG688A.


Safety recommendations


WARNING!


- This product is designed for specific application and needs to be installed by a qualified personal who has RF and related rule knowledge. The general user shall not attempt to install or change the setting.
 - Before installation and operation, read all of the safety instructions in *Compliance and Safety Guide* supplied with your AP.
-

Safety symbols

When reading this document, note the following symbols:

 **WARNING** means an alert that calls attention to important information that if not understood or followed can result in personal injury.

 **CAUTION** means an alert that calls attention to important information that if not understood or followed can result in data loss, data corruption, or damage to hardware or software.

 **TIP** means an alert that provides helpful information.

General safety recommendations

To avoid possible bodily injury or equipment damage, read the following safety recommendations before you install an HP 425. The recommendations do not cover every possible hazardous condition.

- Make sure the ground is dry and flat and anti-slip measures are in place.
- Keep the chassis clean and dust-free.
- Do not place the AP in a moist area and avoid liquid surrounding the AP.
- Keep the chassis and installation tools away from walkways.

Determining the installation position



WARNING!

Please carefully select the installation position and make sure the final output power does not exceed the limit set force in relevant rules. The violation of the rule could lead to serious federal penalty.

Determine the installation position by observing the following principles:

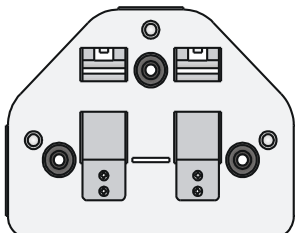
- The product shall be installed at a location where the radiating antenna can be kept 40 cm (15.75 in) from nearby person in normal operation condition to meet regulatory RF exposure requirement.
- Leave as few obstacles (such as wall) as possible between APs and clients.
- Install APs away from electronic devices (such as microwave ovens) that might generate radio frequency (RF) noise.
- Install APs in a place where they will not hinder people's daily work and life.
- Do not install APs in a place where water seeping, water soaking, and condensing occur. Prevent water or moisture from entering the APs.
- Do not place the HP 425 on any metal surface. Place it on a place where there are no obstacles and good signal strength is available.

Accessories provided with the AP

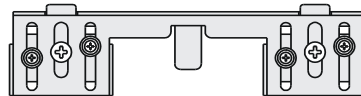


WARNING!

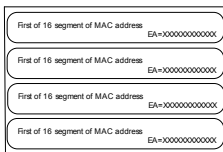
Use only the antennas which have been approved by the applicant. The non-approved antenna(s) may produce unwanted spurious or excessive RF transmitting power which may lead to the violation of FCC/IC limit and is prohibited.



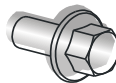
Wall-mounting bracket



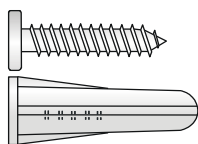
T-rail holder



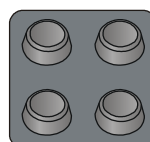
MAC address label



T-rail holder mounting screw



Wall anchor kit



Rubber feet



Hex-head bolt, washer, and nut

Antennas, power adapter, and power cable are user-supplied.

Installation preparation checklist

Before you install an AP, verify the following items:

- Connect the power cord and connect the AP to the network. Examine the LED status to make sure the AP can operate correctly. For more information about AP LEDs, see "[Appendix A Chassis views](#) and technical specifications

Chassis views

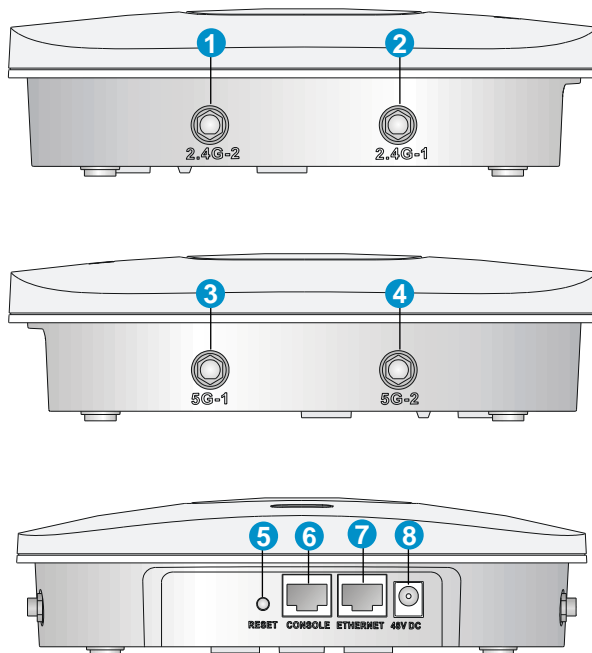
The HP 425 provides the following external ports:

- Two 2.4 GHz antenna ports, two 5 GHz antenna ports
- A console port
- A 10/100/1000 Mbps copper Ethernet port
- A power supply port

NOTE:

The HP 425 also provides a reset button.

Figure 1 HP 425 ports



(1) 2.4G antenna port 2

(2) 2.4G antenna port 1

(3) 5G antenna port 1

(4) 5G antenna port 2

(5) Reset button

(6) Console port

(7) 10/100/1000 Mbps copper Ethernet port (8) Local power port

Table 1 HP 425 port description

Port	Standards and protocols	Description
2.4G-1/2	<ul style="list-style-type: none">• IEEE802.11b• IEEE802.11g• IEEE802.11n	The antenna ports are provided for 2.4 GHz single-RF antennas.
5G-1/2	<ul style="list-style-type: none">• IEEE802.11a• IEEE802.11n	The antenna ports are provided for 5 GHz single-RF antennas.
48V DC	N/A	The local power port is used for +48 VDC power supply to the device.
ETHERNET	<ul style="list-style-type: none">• IEEE802.3• IEEE802.3u• IEEE802.3af	10/100/1000 Mbps copper Ethernet port .The Ethernet port can serve as an uplink interface to access the Internet or MAN, and as an 802.3af-compliant PoE port at the same time.
Console port	RS/EIA-232	The console port is used for configuration and management (for debugging when the AP operates as a fit AP).

Weights and dimensions

Item	Description
Height	51 mm (2.01 in)
Width	188.6 mm (7.43 in)
Depth	188.6 mm (7.43 in)
Weight	640.5 g (22.59 oz)

Power consumption

Model	Maximum power consumption
HP 425	12.95 W





Power specifications

AC voltage range

Table 2 AC voltage range

Power supply mode	Voltage range	Frequency
Single-phase three-wire (V)	100 V to 240 V	50 or 60 Hz

Power adapter specifications

Item	Description
Input	100 VAC to 240 VAC
Output	+48V  @ 0.63 A   

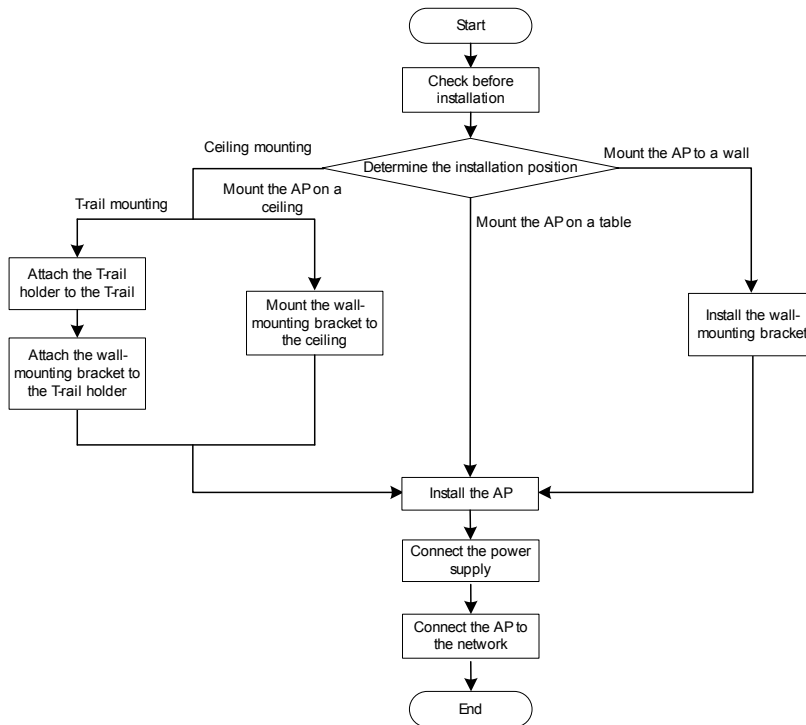
Storage media and memory specifications

Item	Description
Storage media	Nor Flash 4 MB
	Nand Flash 128 MB
Memory	DDR2 128 MB

- Appendix B LEDs."
- Verify that cabling has been completed.
- The HP 425 supports 802.3af-compliant PoE. To achieve the best performance, HP recommends that you use GE connection to the power device.
- Record the MAC address and serial number of the AP (marked on the rear of the AP) for future use.
- If part of the power line is routed outdoors, use a power strip with lightning protection (user supplied) to connect the power cord of the AP to the power line.

Installing the AP

Figure 2 Installation flowchart

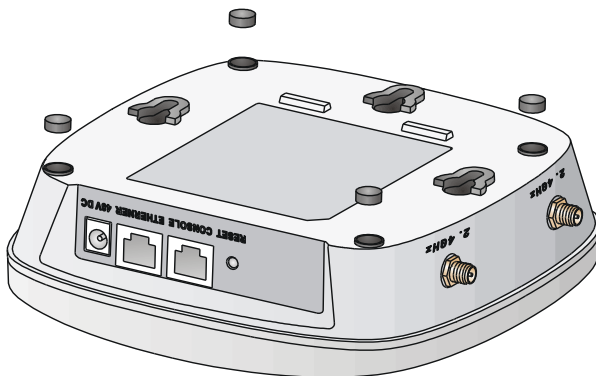


The HP 425 can only be used indoors. It has built-in antennas. When you install the AP, determine whether external antennas are needed. External antennas are not included with the AP and this document does not include external antenna installation procedures.

Mounting the AP on a table

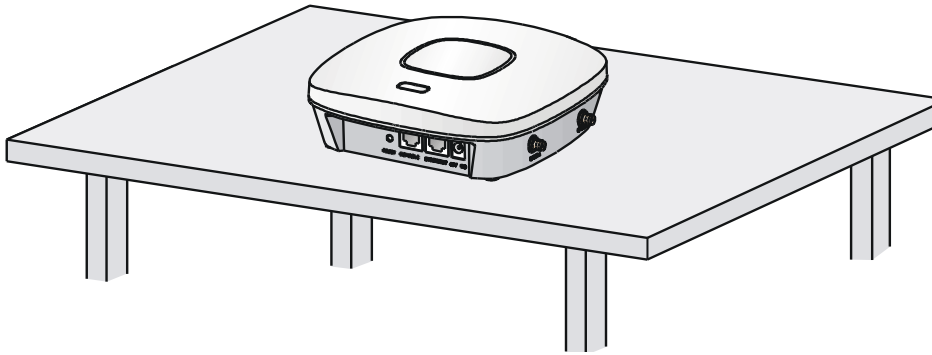
1. Attach the rubber feet supplied with the AP to the rear of the AP.

Figure 3 Attaching the rubber feet



2. Place the AP on the table with the rubber feet facing down.

Figure 4 Mounting the AP on the table



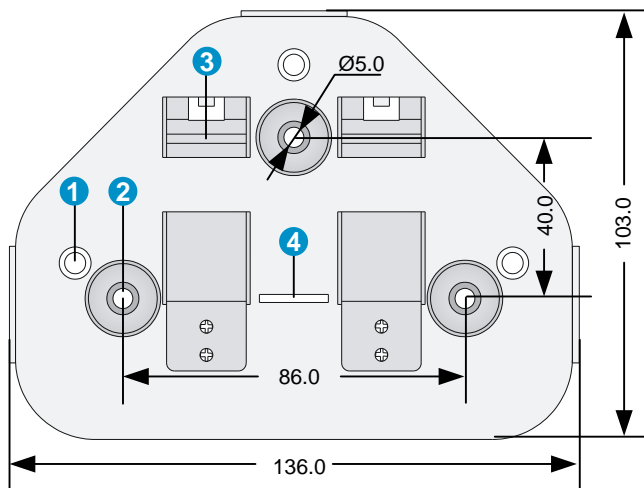
Mounting the AP on a wall

! IMPORTANT:

Connect the AP to the network by using an Ethernet cable, and then install the AP to the wall-mounting bracket.

To mount the AP on a wall, a wall-mounting bracket and wall anchor kit is required.

Figure 5 Screw hole locations and sizes (in mm)



(1) Hook

(2) Mounting hole

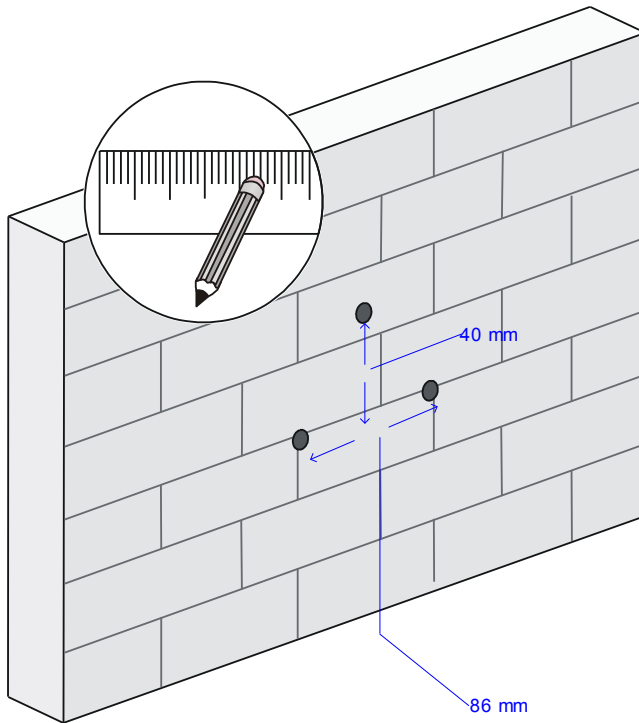
(3) Clip

(4) Mounting clip

To mount the AP on a wall:

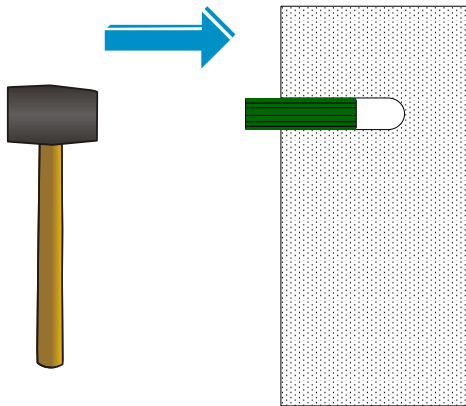
1. Use the wall-mounting bracket as a template to mark the locations of the mounting holes on the bracket. Drill three 5 mm (0.2 in) diameter holes on the marked mounting hole locations.

Figure 6 Drilling holes in the wall



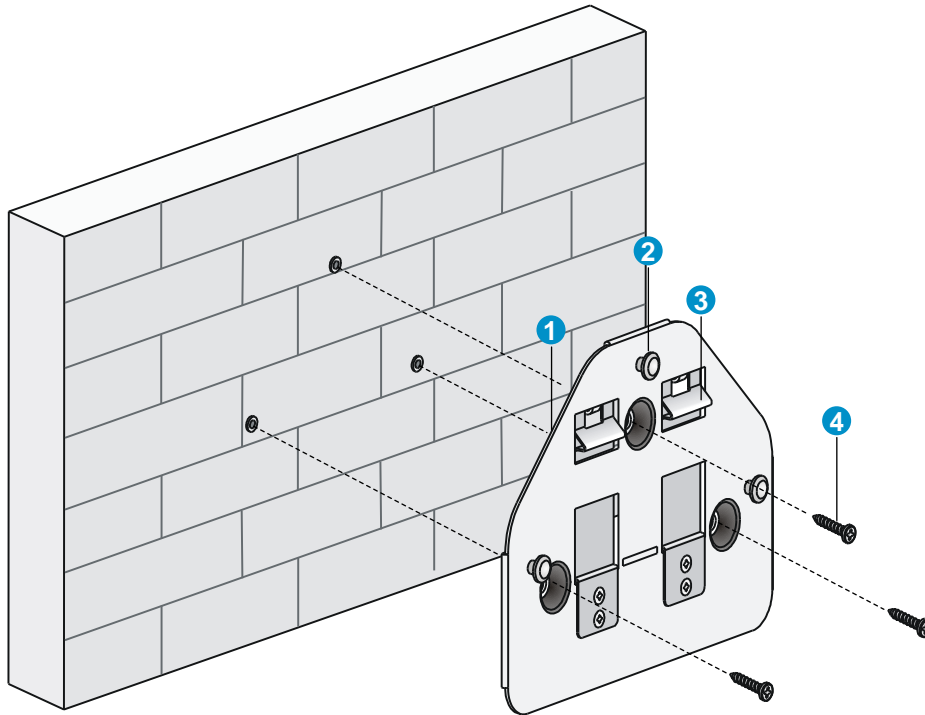
2. Insert a wall anchor into each mounting hole, and tap the wall anchor with a rubber hammer until it is flush with the wall surface.

Figure 7 Inserting a wall anchor



3. Align the holes in the wall-mounting bracket with the anchors and insert screws through the installation holes into the wall anchors.
4. Adjust the position of the wall-mounting bracket and tighten the screws.

Figure 8 Installing the wall-mounting bracket



(1) Wall-mounting bracket

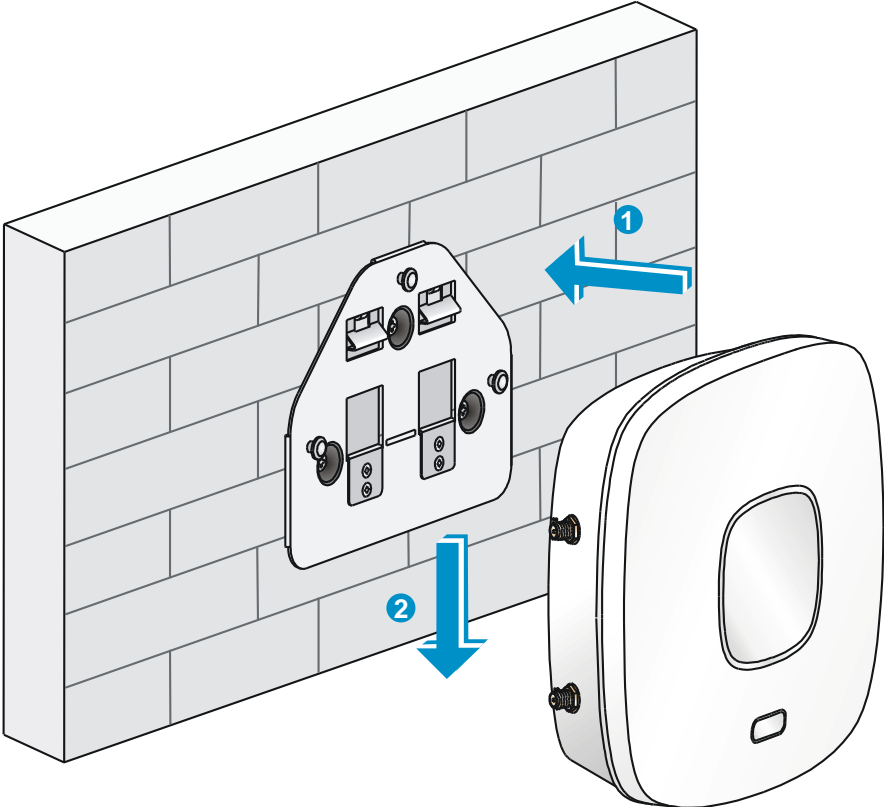
(2) Hook

(3) Clip

(4) Screw

5. Connect the AP to the network by using an Ethernet cable.
6. Align the mounting keyhole on the rear of the AP over the hook on the wall-mounting bracket. See [錯誤! 找不到參照來源。](#)
7. Mount the AP on the hook on the wall-mounting bracket. See callout 1 in Figure 9.
8. Pull down the AP until it clicks into place. See callout 2 in Figure 9.

Figure 9 Mounting the AP to the wall mounting bracket

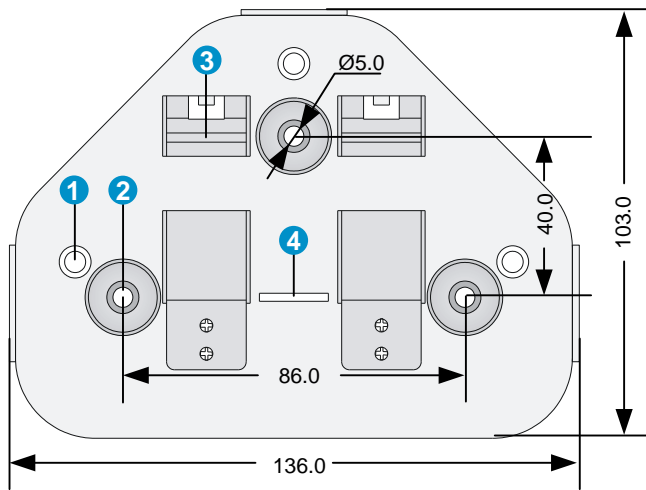


Mounting the AP to a T-rail

⚠ **IMPORTANT:**

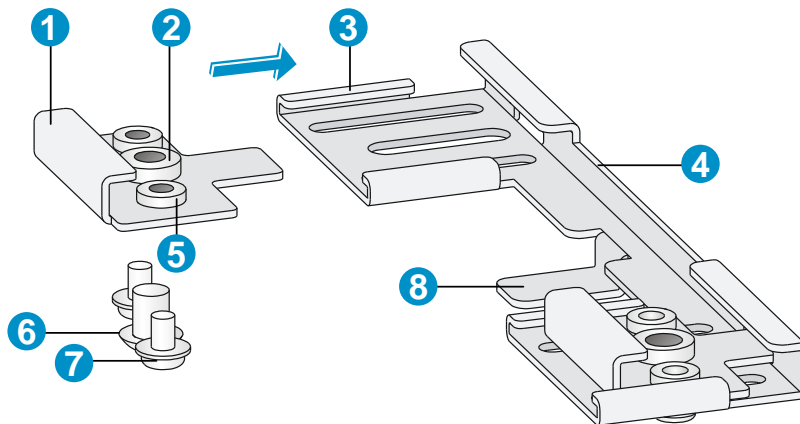
The width of the T-rail must be in the range of 16 mm to 28 mm (0.63 in to 1.10 in).

Figure 10 Screw hole locations and sizes (in mm)



(1) Hook	(2) Mounting hole
(3) Clip	(4) Mounting clip

Figure 11 T-rail holder

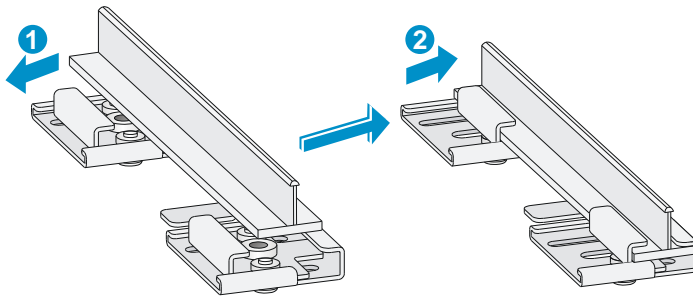


(1) T-rail clip	(2) M4 screw nut	(3) Clip holder
(4) T-rail holder	(5) M3 screw nut	(6) M4 × 5 screw
(7) M3 × 8 screw	(8) Mounting hook	

To mount the AP to a ceiling T-rail:

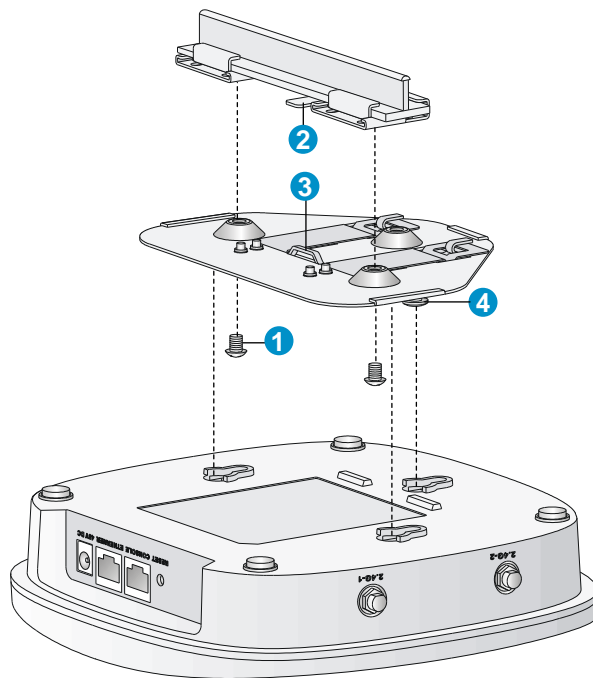
1. Loosen the two M3 × 8 screws on each clip holder. Do not remove the screws.
2. Adjust the T-rail clips to make the T-rail holder wider than the T-rail. See callout 1 in [Figure 12](#). Then lock the T-rail with the T-rail holder according to the arrow indicated in callout 2 in [Figure 12](#).

Figure 12 Attaching the T-rail holder to the T-rail



3. Tighten the four M3 × 8 screws on the two clip holders.
4. Verify that the T-rail holder is attached to the T-rail.
5. Hook the mounting clip (see callout 3 in Figure 13) of the wall-mounting bracket to the mounting hook (see callout 2 in Figure 13) of the T-rail holder.
6. Insert the two M4 × 5 screws (see callout 1 in Figure 13) through the two 5 mm (0.20 in) diameter holes on the wall-mounting bracket according to the dashed line shown in Figure 13 and attach the screws to the T-rail holder.
7. Verify that the wall-mounting bracket is attached to the T-rail.
8. Connect the AP to the network by using an Ethernet cable.
9. Install the AP to the wall-mounting bracket. For more information, see "[Mounting the AP on a wall.](#)"

Figure 13 Mounting the AP to the T-rail



(1) M4 × 5 screw

(2) Mounting hook

(3) Mounting clip

(4) Hook

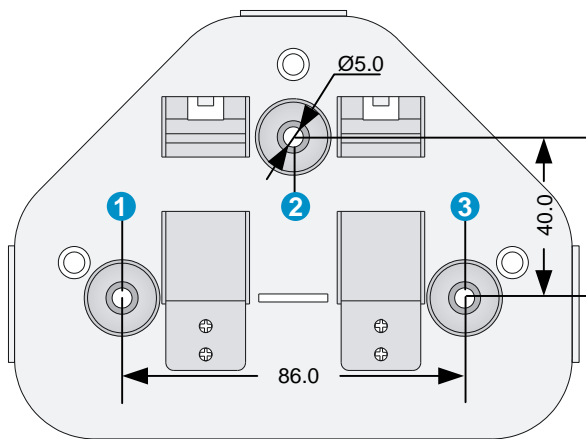
Mounting the AP on a ceiling

⚠ CAUTION:

- Verify that the AP is secured to the mounting bracket to avoid falloff.
- Do not use this method to mount the AP to a location made of low-intensity materials such as a plaster ceiling. If this installation method is required in such an environment, put a high-intensity plate beneath the ceiling to secure the installation.
- The ceiling tiles must be less than 18 mm (0.71 in) thick, and the ceiling can bear a weight of at least 5 kg (11.02 lb).

The three bolt holes shown in Figure 14 are needed for mounting the AP on a ceiling.

Figure 14 Bolt holes on the wall-mounting bracket (in mm)

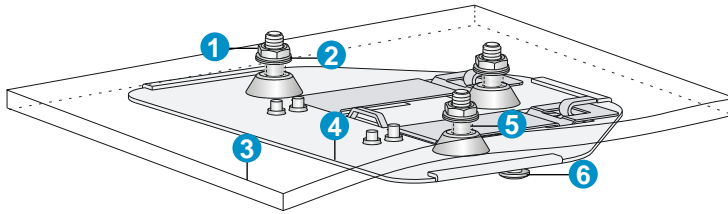


(1) through (3) Bolt holes

To install the AP on a ceiling:

1. Drill two 5.0 mm (0.20 in) diameter holes in the ceiling where you want to mount the AP. The distance between the two holes must be the same as the distance between the two bolt holes on the mounting bracket.
2. Insert the hex-head bolts into the bolt holes on the mounting bracket and the holes in the ceiling. From above the ceiling, fasten the hex nuts to the hex-head bolts to fix the mounting bracket to the ceiling.
3. Connect the AP to the network by using an Ethernet cable.
4. Install the AP to the wall-mounting bracket. For more information, see "[Mounting the AP on a wall.](#)"

Figure 15 Installing the mounting bracket to a ceiling



(1) Nut	(2) Washer
(3) Ceiling	(4) Wall-mounting bracket
(5) Hex-head bolt	(6) Hook

Connecting the power supply

The HP 425 can be powered by using a local or PoE power supply. You can select either method as needed. Make sure the power supply for either method is well grounded before you power on the AP.

Before connecting the local or PoE power supply, verify that the power supply is steady. You can use a local power source, uninterruptible power supply (UPS), or user-supplied power generator to supply power to the AP.

After powering on the AP, examine the AP status LED. For more information about AP LEDs, see "[Appendix A Chassis views](#) and technical specifications

Chassis views

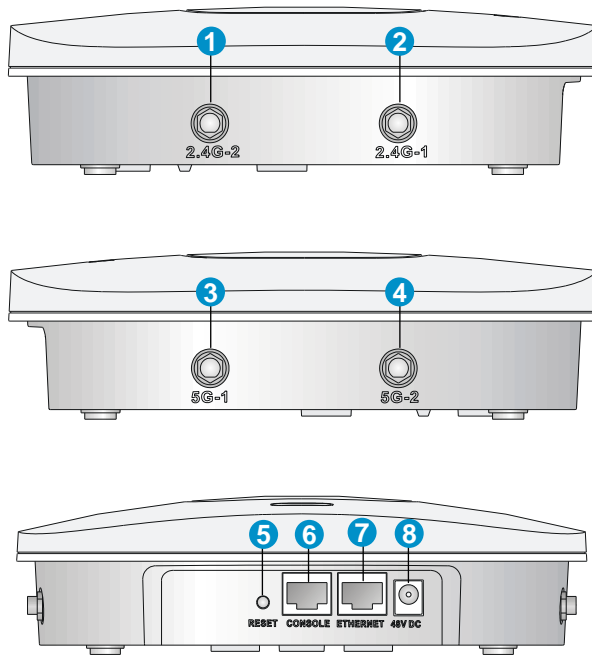
The HP 425 provides the following external ports:

- Two 2.4 GHz antenna ports, two 5 GHz antenna ports
- A console port
- A 10/100/1000 Mbps copper Ethernet port
- A power supply port

NOTE:

The HP 425 also provides a reset button.

Figure 16 HP 425 ports



(1) 2.4G antenna port 2	(2) 2.4G antenna port 1	(3) 5G antenna port 1
(4) 5G antenna port 2	(5) Reset button	(6) Console port
(7) 10/100/1000 Mbps copper Ethernet port	(8) Local power port	

Table 3 HP 425 port description

Port	Standards and protocols	Description
2.4G-1/2	<ul style="list-style-type: none"> IEEE802.11b IEEE802.11g IEEE802.11n 	The antenna ports are provided for 2.4 GHz single-RF antennas.
5G-1/2	<ul style="list-style-type: none"> IEEE802.11a IEEE802.11n 	The antenna ports are provided for 5 GHz single-RF antennas.
48V DC	N/A	The local power port is used for +48 VDC power supply to the device.
ETHERNET	<ul style="list-style-type: none"> IEEE802.3 IEEE802.3u IEEE802.3af 	10/100/1000 Mbps copper Ethernet port .The Ethernet port can serve as an uplink interface to access the Internet or MAN, and as an 802.3af-compliant PoE port at the same time.
Console port	RS/EIA-232	The console port is used for configuration and management (for debugging when the AP operates as a fit AP).

Weights and dimensions

Item	Description
Height	51 mm (2.01 in)
Width	188.6 mm (7.43 in)
Depth	188.6 mm (7.43 in)
Weight	640.5 g (22.59 oz)

Power consumption

Model	Maximum power consumption
HP 425	12.95 W



Power specifications

AC voltage range

Table 4 AC voltage range

Power supply mode	Voltage range	Frequency
Single-phase three-wire (V)	100 V to 240 V	50 or 60 Hz

Power adapter specifications

Item	Description
Input	100 VAC to 240 VAC
Output	+48V  @ 0.63 A 

Storage media and memory specifications

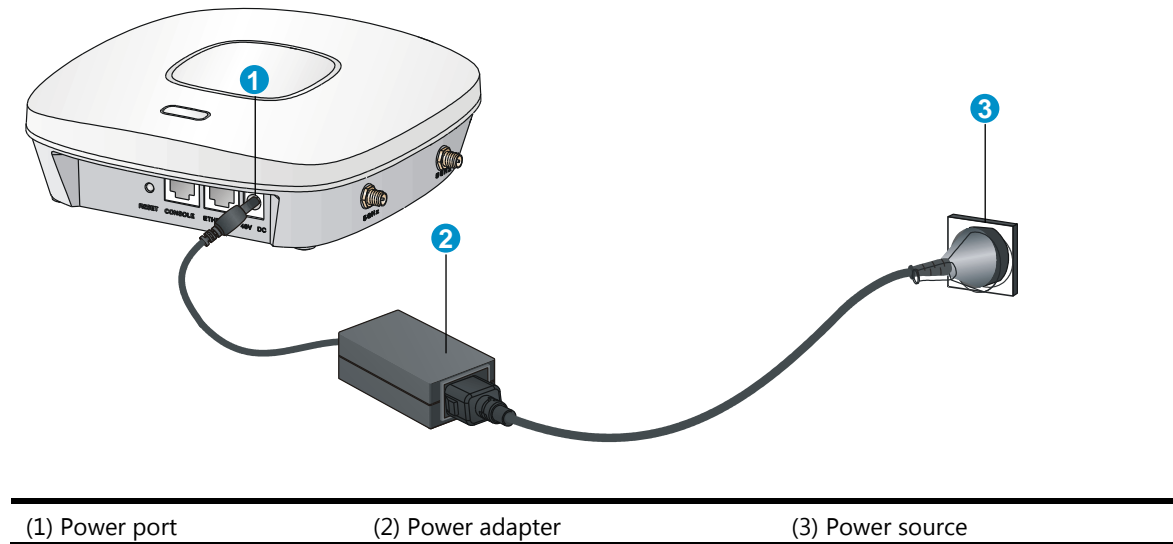
Item	Description
Storage media	Nor Flash 4 MB Nand Flash 128 MB
Memory	DDR2 128 MB

Connecting the AP to a local power supply

The AP is not shipped with a power adapter or power cable.

The HP 425 supports both listed AC and DC power adapters marked “LPS” or limited power source. You can connect the power port of the AP to the power source through a power adapter to supply power to the AP.

Figure 17 Local power supply connection



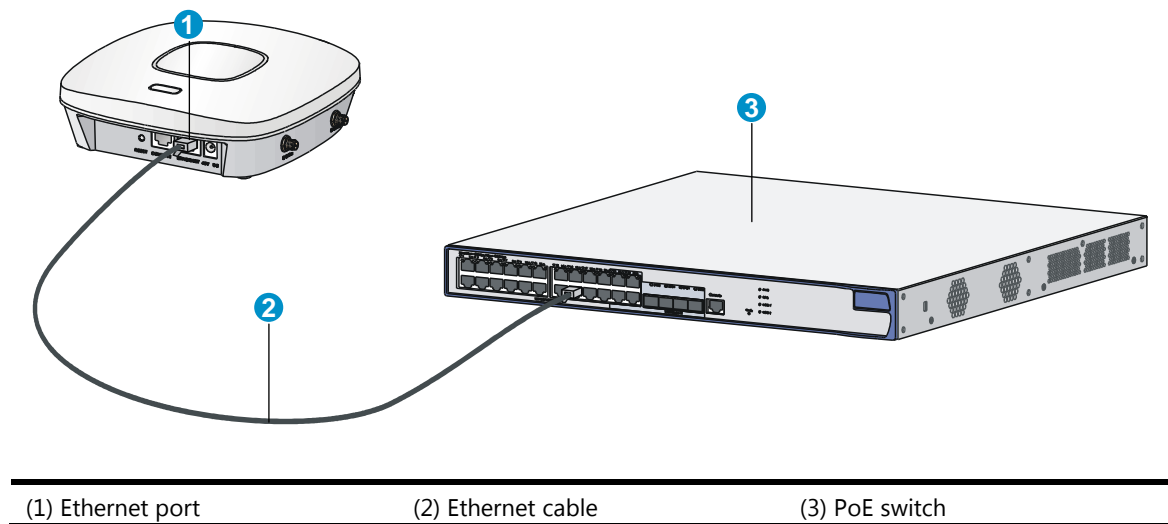
Connecting the AP to a PoE power supply

△ CAUTION:

Identify the marks for the network port and console port to avoid connection mistakes.

When you apply 802.3af PoE power supply, connect one end of the network cable to the network port on the AP, and the other end to an Ethernet port on a PoE-capable device (for example, a PoE-capable Ethernet switch). If the uplink device of the AP is a PoE switch, use an Ethernet cable to directly connect the Ethernet port of the AP to the PoE device.(indoor used)

Figure 18 PoE connection



Connecting the AP to the network

APs can access the Internet or metropolitan area network (MAN) through the Ethernet uplink interface. To implement Internet or MAN access, connect the Ethernet port of the AP to an Ethernet port of an Ethernet switch.

When the AP operates as a fit AP, all of its settings are configured on the AC. You can use the **display wlan ap all** command to examine the AP status on the AC. When the AP status is R/M, the AP has been successfully connected to the AC.

```
<AC>display wlan ap all
Total Number of APs configured          : 1
Total Number of configured APs connected : 1
Total Number of auto APs connected      : 0
                                         AP Profiles
State : I = Idle,   J = Join, JA = JoinAck,   IL = ImageLoad
       C = Config, R = Run,  KU = KeyUpdate, KC = KeyCfm
-----
AP Name          State Model          Serial-ID
-----
ap1              R/M   425-WW          219801A0FKC133000020
-----
<AC>
```

Appendix A Chassis views and technical specifications

Chassis views

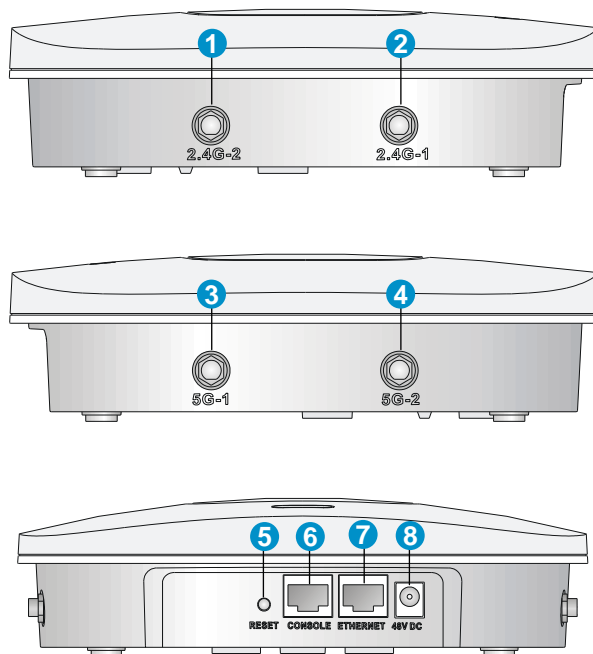
The HP 425 provides the following external ports:

- Two 2.4 GHz antenna ports, two 5 GHz antenna ports
- A console port
- A 10/100/1000 Mbps copper Ethernet port
- A power supply port

NOTE:

The HP 425 also provides a reset button.

Figure 19 HP 425 ports



(1) 2.4G antenna port 2	(2) 2.4G antenna port 1	(3) 5G antenna port 1
(4) 5G antenna port 2	(5) Reset button	(6) Console port
(7) 10/100/1000 Mbps copper Ethernet port	(8) Local power port	

Table 5 HP 425 port description

Port	Standards and protocols	Description
------	-------------------------	-------------

Port	Standards and protocols	Description
2.4G-1/2	<ul style="list-style-type: none"> IEEE802.11b IEEE802.11g IEEE802.11n 	The antenna ports are provided for 2.4 GHz single-RF antennas.
5G-1/2	<ul style="list-style-type: none"> IEEE802.11a IEEE802.11n 	The antenna ports are provided for 5 GHz single-RF antennas.
48V DC	N/A	The local power port is used for +48 VDC power supply to the device.
ETHERNET	<ul style="list-style-type: none"> IEEE802.3 IEEE802.3u IEEE802.3af 	10/100/1000 Mbps copper Ethernet port .The Ethernet port can serve as an uplink interface to access the Internet or MAN, and as an 802.3af-compliant PoE port at the same time.
Console port	RS/EIA-232	The console port is used for configuration and management (for debugging when the AP operates as a fit AP).

Weights and dimensions

Item	Description
Height	51 mm (2.01 in)
Width	188.6 mm (7.43 in)
Depth	188.6 mm (7.43 in)
Weight	640.5 g (22.59 oz)

Power consumption

Model	Maximum power consumption
HP 425	12.95 W





Power specifications

AC voltage range

Table 6 AC voltage range

Power supply mode	Voltage range	Frequency
Single-phase three-wire (V)	100 V to 240 V	50 or 60 Hz

Power adapter specifications


Item	Description
Input	100 VAC to 240 VAC
Output	+48V  @ 0.63 A   

Storage media and memory specifications

Item	Description
Storage media	Nor Flash 4 MB
	Nand Flash 128 MB
Memory	DDR2 128 MB

Appendix B LEDs

Table 7 LED description

Mark	Color	Status	Description
	Green	Flashing at 1 Hz	The AP is booting. NOTE: When the AP operates as a fit AP, it is always in this state before it is registered to an AC.
		Breathing	A client is connected to the 2.4G port.
	Blue	Flashing at 0.25 Hz	The AP has been booted and has registered to the AC. It is in standby state (no client is connected to the AP).
		Flashing at 2 Hz	The AP is updating its system software image.
		Breathing	A client is connected to the 5G port.
	Red	Steady on	An initialization exception has occurred to the AP.
		Flashing at 1 Hz	The AP cannot detect any radio interface.
		Flashing at 2 Hz	An Ethernet port or radio interface is operating incorrectly.
	Alternating green and blue	Breathing green and blue alternatively	Clients are connected to both the 2.4G and 5G radio interfaces.