

User Guide

Hill-Rom LTE Dongle

Model Number 198657

Intended Users

Hill-Rom service technicians

- Allowed to install/uninstall the LTE dongle into the wireless compartment of Monarch control box.

Patient/Caregivers

- No user interaction is needed. The dongle will search and connect to a LTE network automatically just like a regular mobile phone. Wireless data transmission from the device is automatic.

Operating Band for LTE

- B4 (1700/2100MHz),
- B13 (700MHz)

General Steps to operate the Dongle

- 1) Insert the LTE dongle to the USB port at the wireless compartment.
- 2) Press the power button in the directional keypad on the handheld control.
- 3) A splash screen shall appear for 3-5 seconds as shown(Figure 1).
- 4) The following steps shall use the directional keypad for navigating the menu.

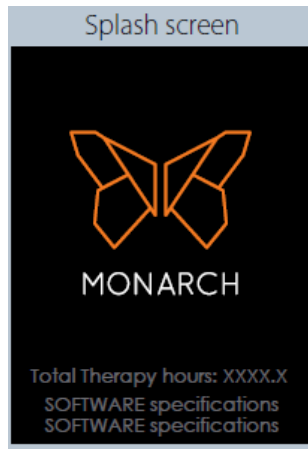


Figure 1



Directional keypad

General Steps to operate the Dongle

After 3-5 seconds, the screen in Figure 2 shall appear. Press the DOWN button until “MENU” is selected(Figure 3) and press the OK button. Select “DEVICE SETTINGS”(Figure 4) and press OK to go to “WIRELESS” screen (Figure 5). Press OK again.

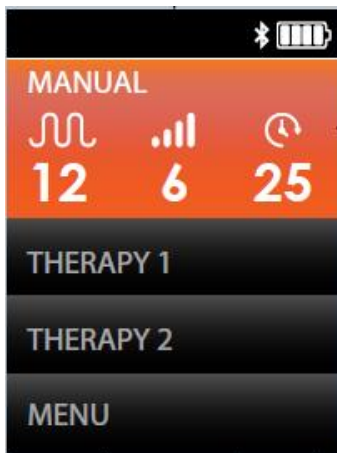


Figure 2

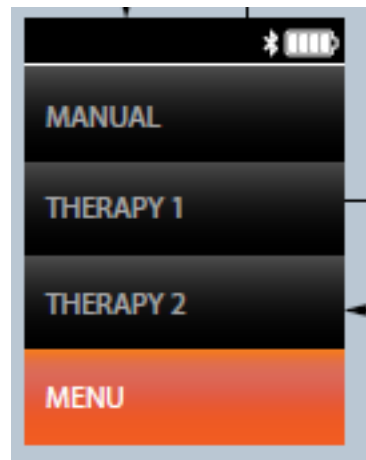


Figure 3

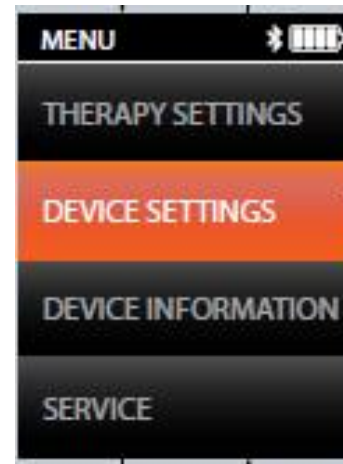


Figure 4

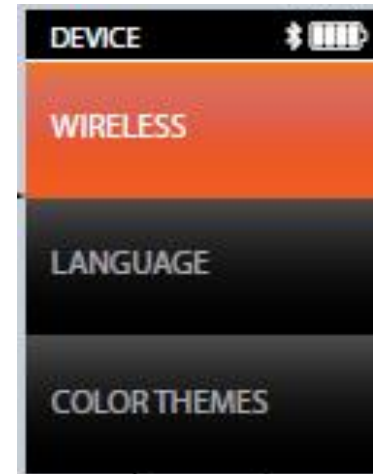


Figure 5

General Steps to operate the Dongle

The screen in Figure 6 shall appear. Press the RIGHT button to turn enable LTE.

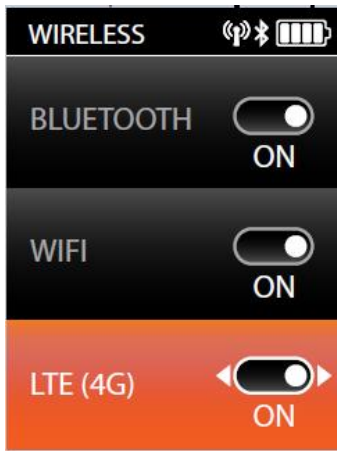


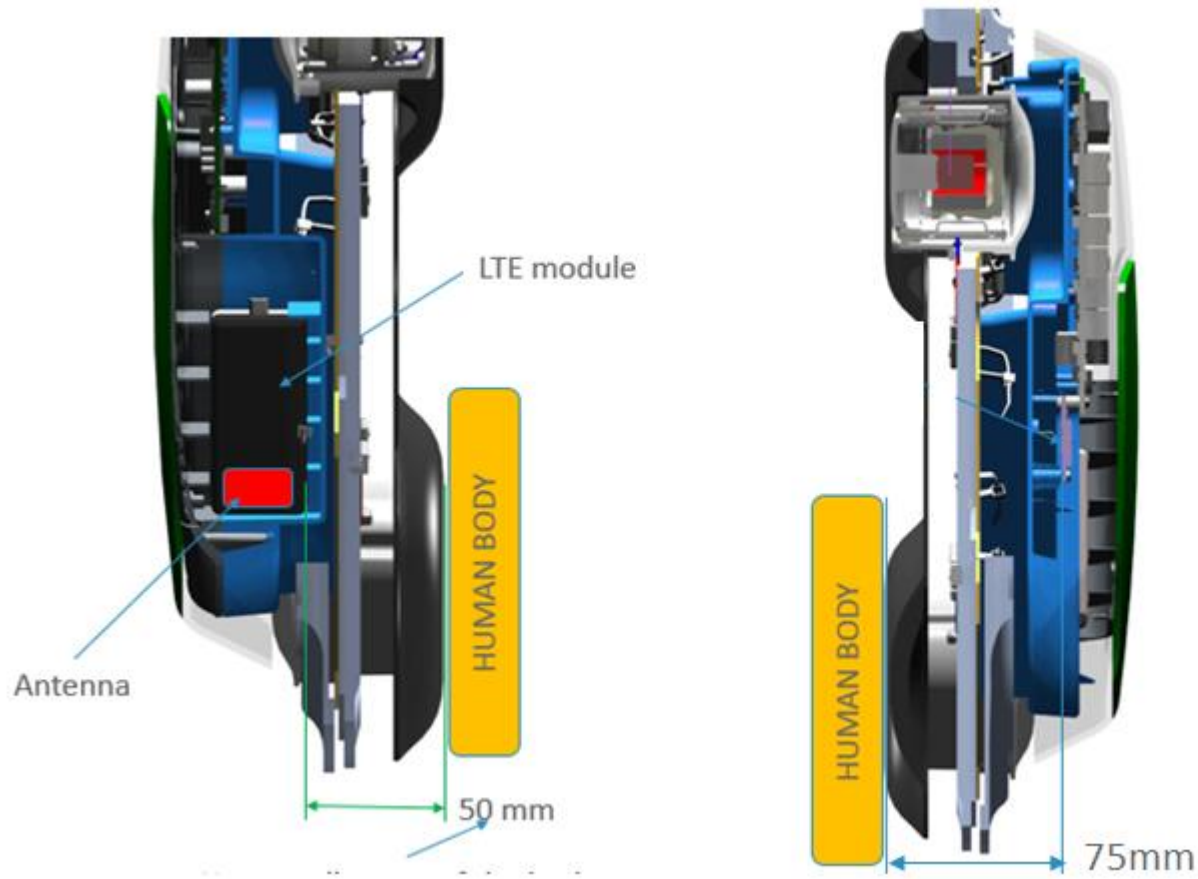
Figure 6

Layout



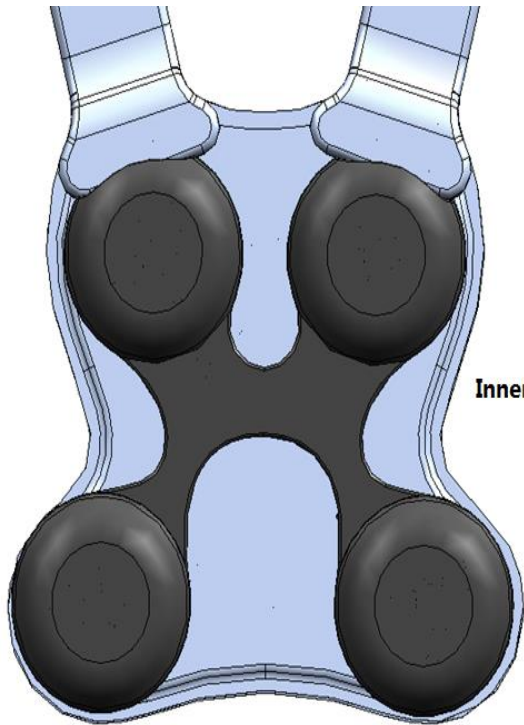
Wearable product (Only back section of garment have RF module)

Distance of human Body with antenna



Nearest distance of the body
To any connectivity module

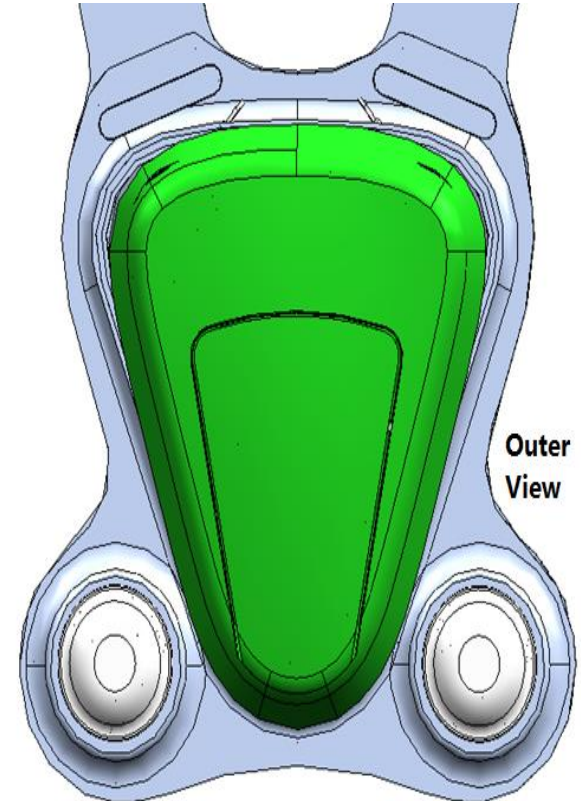
Inner/Side/Outer View of back section (Vest)



Inner View



Side View



Outer View

FCC Warning

Notice:

Any changes or modifications not expressly approved by the party responsible for

Compliance could void your authority to operate the equipment.

Note: This equipment has been tested and found to comply with the limits for a Class B digital device, pursuant to part 15 of the FCC Rules. These limits are designed to provide reasonable protection against harmful interference in a residential installation. Uses and can radiate radio frequency energy and, if not installed and used in accordance with the instructions, may cause harmful interference to radio communications. However, there is no guarantee that interference will not occur in a Interference to radio or television reception, which can be determined by turning the equipment off and on, the user is encouraged to try to correct the interference by one or more of the following measures:

- Reorient or relocate the receiving antenna
- Increase the separation between the equipment and receiver

FCC Warning

- Connect the equipment into an outlet on a circuit different from that to which the receiver is connected.
- Consult the dealer or an experienced radio / TV technician for help.

Notice:

This device complies with Part 15 of the FCC Rules. Operation is subject to the following two conditions:

- (1) this device may not cause harmful interference and
- (2) this device must accept any interference received, including interference that may cause undesired operation.

This equipment complies with FCC RF radiation exposure limits set forth for an uncontrolled environment. The device was tested for typical operations with the device trusted directly to the human body. To maintain compliance with FCC RF exposure Compliance requirements, avoid direct contact to the transmitting antenna during extraction 0.16 W / kg @ 1g (body)