

**Annex acc. to FCC Title 47 CFR Part 15
relating to
Hilti Corporation
GX-IE, GX-IE XL**

Annex no. 5 User Manual Functional Description

**Title 47 - Telecommunication
Part 15 - Radio Frequency Devices
Subpart C – Intentional Radiators
ANSI C63.4-2014
ANSI C63.10-2013**

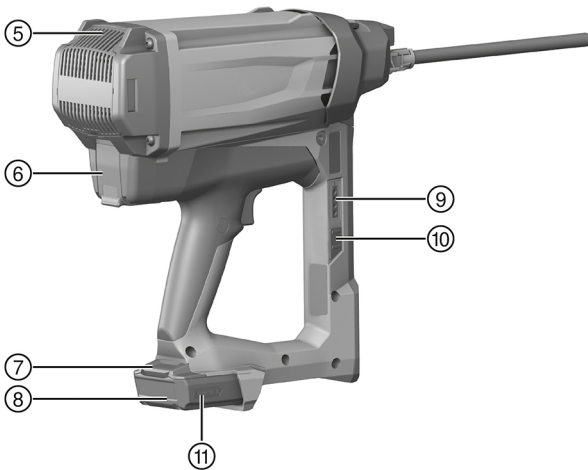
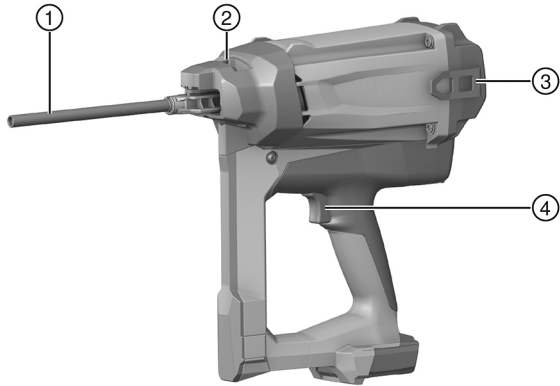


**Deutsche
Akkreditierungsstelle
D-PL-12053-01-00**

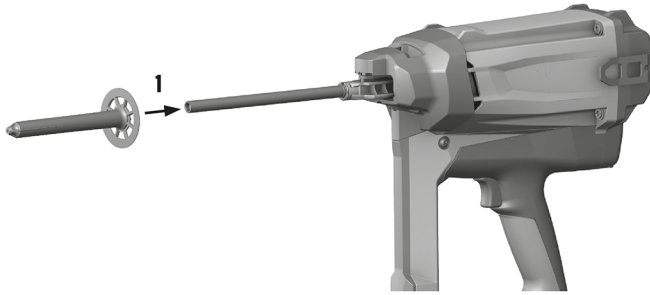


GX-IE
GX-IE XL

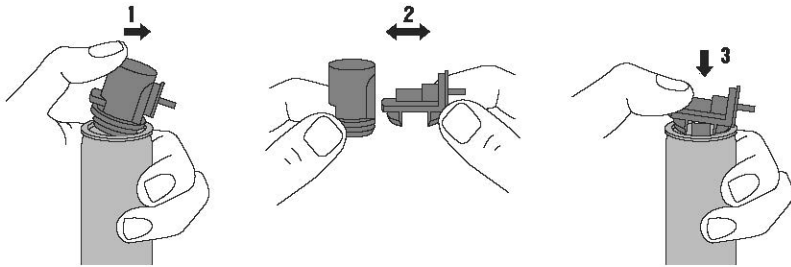
English	1
Français	11
Português	22
Español	33



2



3



GX-IE

GX-IE XL

en	Original operating instructions	1
fr	Mode d'emploi original	11
pt	Manual de instruções original	22
es	Manual de instrucciones original	33

1 Information about the documentation

1.1 About this documentation

- Read this documentation before initial operation or use. This is a prerequisite for safe, trouble-free handling and use of the product.
- Observe the safety instructions and warnings in this documentation and on the product.
- Always keep the operating instructions with the product and make sure that the operating instructions are with the product when it is given to other persons.

1.2 Explanation of symbols used

1.2.1 Warnings

Warnings alert persons to hazards that occur when handling or using the product. The following signal words are used:



DANGER !

- ▶ Draws attention to imminent danger that will lead to serious personal injury or fatality.



WARNING !

- ▶ Draws attention to a potential threat of danger that can lead to serious injury or fatality.



CAUTION !

- ▶ Draws attention to a potentially dangerous situation that could lead to slight personal injury or damage to the equipment or other property.

1.2.2 Symbols in the documentation

The following symbols are used in this document:

	Read the operating instructions before use.
	Instructions for use and other useful information
	Dealing with recyclable materials
	Do not dispose of electric equipment and batteries as household waste

1.2.3 Symbols in the illustrations

The following symbols are used in illustrations:

	These numbers refer to the corresponding illustrations found at the beginning of these operating instructions
3	The numbering reflects the sequence of operations shown in the illustrations and may deviate from the steps described in the text
	Item reference numbers are used in the overview illustrations and refer to the numbers used in the product overview section
	This symbol is intended to draw special attention to certain points when handling the product.
	Wireless data transfer

1.3 Product-dependent symbols

1.3.1 Symbols on the product

The following symbols are used on the product:

	General mandatory sign
	Wear eye protection
	Wear ear protection
	Wear a hard hat
	Return waste material for recycling

1.3.2 Highlighting of designations and markings

Designations and markings are indicated as follows:

, '	Description of marked operating controls on the fastening tool
« »	Markings on the fastening tool

1.4 Product information

Hilti products are designed for professional users and only trained, authorized personnel are permitted to operate, service and maintain the products. This personnel must be specifically informed about the possible hazards. The product and its ancillary equipment can present hazards if used incorrectly by untrained personnel or if used not in accordance with the intended use.

- ▶ In the table below, enter the designation and serial number from the type identification plate.
- ▶ Always quote this information when you contact a Hilti representative or Hilti Service to make an inquiry about the product.

Product information

Fastening tool, gas-actuated	GX-IE GX-IE XL
Generation:	01
Serial number:	

1.5 Declaration of conformity

We declare, on our sole responsibility, that the product described here complies with the applicable directives and standards. A copy of the declaration issued by the certification department can be found at the end of this documentation.

The technical documentation is filed and stored here:

Hilti Entwicklungsgesellschaft mbH | Tool Certification | Hiltistrasse 6 | 86916 Kaufering, Germany

2 Safety

2.1 Safety instructions

These safety instructions apply for fastening tools with and without magazine.

Working safely with the fastening tool

- ▶ Pressing the nosepiece of the fastening tool against a part of the body may lead to serious injury due to inadvertent actuation and release of a fastener. **Never press the nosepiece of the tool against your hand or any other part of the body.**
- ▶ When inserting/loading application-specific fasteners (e.g. washers, clips or clamps, etc.) in/on the fastener guide there is a risk of serious injury due to inadvertent actuation of the tool resulting in discharge of a fastener. **When inserting/loading an application-specific type of fastener, never press a hand or any other part of the body against the fastener guide.**
- ▶ **Never point the fastening tool towards yourself or any other person.**



- ▶ **Keep your arms flexed when operating the tool (do not straighten the arms).**
- ▶ When pulling back the nail pusher, always take care to ensure that it engages.
- ▶ **When disengaging the nail pusher, do not release it and allow it to jump forward. Guide it forward slowly.** There is a risk of pinching the fingers.
- ▶ Do not attempt to drive fasteners into **materials that are too hard**, such as welded steel or cast steel. Attempting to drive fasteners into these materials may lead to malfunctions, incorrectly driven fasteners or breakage of fasteners.
- ▶ Do not attempt to drive fasteners into **materials that are too soft**, such as wood or drywall/gypsum board. Attempting to drive fasteners into these materials may lead to malfunctions and fasteners being driven incorrectly or driven right through the material.
- ▶ Do not attempt to drive fasteners into **materials that are too brittle**, such as glass or tiles. Attempting to drive fasteners into these materials may lead to malfunctions, fasteners being driven incorrectly and may cause the material to shatter.
- ▶ Before driving fasteners, check that there is no risk of injuring persons or of damaging objects present behind or below the working surface.
- ▶ Pull the safety trigger only when the fastening tool is pressed against the working surface in such a way that the fastener guide is pushed into the tool as far as it will go.
- ▶ **Always wear gloves if you have to carry out maintenance work on the fastening tool while it is still hot.**
- ▶ If fasteners are driven at a high rate or if the tool used for a long period, surfaces of the tool beyond the grip areas may get hot. Wear protective gloves to avoid burning injuries.
- ▶ If the fastening tool overheats, remove the gas can and allow the tool to cool down. Do not exceed the specified maximum fastener driving rate.
- ▶ Driving fasteners may cause flying fragments or result in parts of the nail strip material being forcibly ejected from the tool. Flying fragments present a risk of injury to the body and eyes. **Wear eye protection, ear protection and a hard hat.** Depending on the application and type of fastening tool in use, wearing personal protective equipment such as a dust mask, non-slip safety footwear, hard hat and ear protection reduces the risk of injury. Other persons in the vicinity must also wear eye protection and a hard hat.
- ▶ Wear suitable ear protection (see noise information in the technical data section). Fasteners are driven through ignition of a gas/air mixture. The resulting noise exposure may cause damage to the hearing. Other persons in the vicinity should also wear suitable hearing protection.
- ▶ When driving a fastener, always hold the fastening tool securely and at right angles to the supporting material. This helps to avoid deflection of the fastener by the supporting material.
- ▶ Never drive a second fastener at the same location. This may lead to breakage or jamming of fasteners.
- ▶ Always remove the gas can and battery and empty the magazine before changing the magazine and before undertaking cleaning, servicing or maintenance work, in preparation for storage or transport and before leaving the fastening tool unattended.
- ▶ To ensure that the fastening tool functions faultlessly and as intended, always check the tool and accessories for possible damage before use. Check that moving parts function faultlessly, without sticking, and that no parts are damaged. In order to ensure faultless operation of the fastening tool, all parts must be fitted correctly and must meet the necessary requirements. Damaged protective devices or other parts must be properly repaired or replaced by **Hilti Service** unless otherwise stated in the operating instructions.
- ▶ Have the fastening tool repaired only by trained and qualified specialists using genuine Hilti spare parts. This will ensure that the safety of the fastening tool is maintained.
- ▶ Tampering with or modification of the fastening tool is not permissible.
- ▶ **Do not use the fastening tool where there is a risk of fire or explosion.**
- ▶ Take influences of the surrounding area into account. Do not expose the fastening tool to rain or snow and do not use it in damp or wet conditions.
- ▶ Use the fastening tool only in well-ventilated working areas.
- ▶ Select the correct combination of fastener guide and fastener. The wrong combination may result in damage to the tool and in reduced fastening quality.
- ▶ Always observe the application guidelines.

Hazards presented by electricity

- ▶ **Before beginning work, check the working area (e.g. using a metal detector) to ensure that no concealed electric cables or gas and water pipes are present.**
- ▶ Hold the fastening tool only by the insulated grip when working in areas where fasteners may be driven inadvertently into concealed electric cables. Contact with a live electric cable may cause metal parts of the fastening tool also to become live, leading to a risk of electric shock.

Use and care of battery-powered tools

- ▶ **Check that the tool is switched off before inserting the battery.** Inserting a battery into an electric tool that is switched on can lead to accidents.
- ▶ **Do not expose batteries to high temperatures, the direct heat of the sun, and keep them away from fire.** There is a risk of explosion.
- ▶ **Do not disassemble, squash or incinerate batteries and do not subject them to temperatures over 80°C.** This presents a risk of fire, explosion or injury through contact with caustic substances.
- ▶ **Avoid ingress of moisture.** Ingress of moisture may cause a short circuit, resulting in burning injuries or fire.
- ▶ **Use only batteries of the type approved for use with the applicable tool.** Use of other batteries or use of the batteries for purposes for which they are not intended presents a risk of fire and explosion.
- ▶ **Observe the special guidelines applicable to the transport, storage and use of Li-ion batteries.**
- ▶ **Remove the battery from the tool before transport or storage.**
- ▶ **Avoid short circuiting the battery terminals. Check that the contacts on the battery and on the tool are free from foreign objects before inserting the battery into the tool.** Short circuiting the battery terminals presents a risk of fire, explosion and chemical burns.
- ▶ **Do not continue to use or attempt to charge damaged batteries (e.g. batteries with cracks, broken parts, bent or pushed-in / pulled-out contacts).**
- ▶ A battery that is too hot to hold may be defective. Allow the battery to cool down in a place where there is no risk of causing a fire. Check that there are no flammable materials nearby. Contact Hilti Service.

Instructions for handling the propellant gas

- ▶ Observe the instructions printed on the gas can and in the accompanying information.
- ▶ Escaping gas is harmful to the lungs, skin and eyes. Keep your face and eyes away from the gas can compartment for up to about 10 seconds after removing the gas can.
- ▶ Do not operate the gas can valve manually.
- ▶ If a person has inhaled gas, take the person into the open air or into a well-ventilated area and place the person in a comfortable position. Consult a doctor if necessary.
- ▶ **Call a doctor if the person is unconscious.** Bring the person into a well-ventilated area and place the person in the stable recovery position (i.e. lying on the side). If the person is not breathing, administer artificial respiration and, if necessary, supply oxygen.
- ▶ After eye contact with gas, rinse the open eyes thoroughly under running water for several minutes.
- ▶ After skin contact with gas, wash the contact area carefully with soap and warm water. Subsequently apply a skin cream.

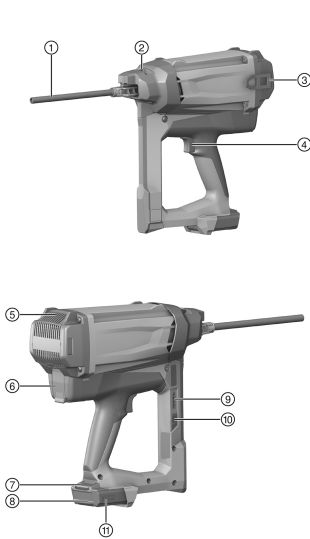
General instructions concerning personal safety

- ▶ Take care to adopt an ergonomic body position. Work from a safe stance and take care to stay in balance at all times. This will allow you to control the fastening tool better, even in unexpected situations.
- ▶ Keep other people away from the working area, especially children.



3 Description

3.1 Product overview 1



- ① Fastener guide
- ② Fastener guide release slider
- ③ Belt hook
- ④ Safety trigger
- ⑤ Cooling air slots
- ⑥ Gas can compartment
- ⑦ Battery release button
- ⑧ Battery state of charge indicator
- ⑨ Gas can status indicator button
- ⑩ Gas can status indicator
- ⑪ Battery

3.2 Intended use

The product described is a gas-actuated fastening tool. It is for driving suitable fasteners into concrete and other materials suitable for use of the direct fastening technique.

The fastening tool, gas can, battery and fasteners form a technical unit. This means that trouble-free fastening with this fastening tool can be ensured only when it is used together with the fasteners, gas cans and batteries specially manufactured for it by **Hilti**. The fastening and application recommendations made by **Hilti** apply only when these conditions are observed.

The fastening tool is for hand-held use only.

- ▶ Use only **Hilti** Li-ion batteries of the B 12 series with this product.
- ▶ Use only **Hilti** battery chargers of the C 4/12-50 series for charging these batteries.

3.3 Items supplied

Gas-actuated fastening tool with fastener guide, 2 batteries, charger, toolbox and operating instructions. Other system products approved for use with this product can be found at your local **Hilti** Center or online at: www.hilti.com

3.4 Fastener guide 2

The fastener guide holds the insulation plug and in the driving process it directs the fastener to the desired position in the material.

3.5 Fastener guide release slider

In the **EJECT** position, the slider releases the fastener guide for removal.

Status	Meaning
EJECT	<ul style="list-style-type: none"> • Fastener guide release

3.6 Belt hook

The belt hook can be extended in three stages.

Status	Meaning
Position 1	<ul style="list-style-type: none"> Position for attaching to a waist belt
Position 2	<ul style="list-style-type: none"> Position for attaching to ladders, scaffolds, platforms, etc.
Position 3	<ul style="list-style-type: none"> Belt hook removed

3.7 Gas can

Observe the safety instructions provided with the gas can!

In order to operate the fastening tool, the gas can must be inserted in the gas can compartment. The gas can status can be read from the LED display after pressing the **GAS** button.

The gas can must be removed before breaks between working, before maintenance and before transporting or storing the fastening tool.

3.8 Indication of gas can status

After pressing the **GAS** button, the LED display indicates the status of the gas can.

Status	Meaning
All four LEDs light green.	<ul style="list-style-type: none"> The level is between 100 % and 75 %.
Three LEDs light green.	<ul style="list-style-type: none"> The level is between 75 % and 50 %.
Two LEDs light green.	<ul style="list-style-type: none"> The level is between 50 % and 25 %.
One LED lights green.	<ul style="list-style-type: none"> The level is between 25 % and 10 %.
One LED blinks green.	<ul style="list-style-type: none"> Level is below 10 %. Replacement of the gas can is recommended. The gas can is empty or is malfunctioning. Replacement of the gas can is recommended. <p>Even when the level is indicated as "empty", the gas can, for technical reasons, still contains a little gas.</p>
One LED blinks red.	<ul style="list-style-type: none"> No gas can or the wrong type of gas can is present in the fastening tool.

3.9 Indication of battery charge status

After pressing a battery release button, the display shows the status of the battery and the fastening tool.

Status	Meaning
All four LEDs light green.	<ul style="list-style-type: none"> Charge status is 75 % to 100 %.
Three LEDs light green.	<ul style="list-style-type: none"> Charge status is 50 % to 75 %.
Two LEDs light green.	<ul style="list-style-type: none"> Charge status is 25 % to 50 %.
One LED lights green.	<ul style="list-style-type: none"> Charge status is 10 % to 25 %.
One LED blinks green.	<ul style="list-style-type: none"> Charge status is below 10 %. The fastening tool is overloaded or overheated and thus not ready for operation.

4 Technical data

4.1 Fastening tool

Weight (empty) GX 2-IE	3.3 kg (7.3 lb)
Weight (empty) GX 2-IE-XL	3.4 kg (7.5 lb)



Tool length for GX 2-IE	500 mm (19.7 in)
Tool length for GX 2-IE-XL	550 mm (21.7 in)
Application temperature, ambient temperature	-10 °C ... 45 °C (14 °F ... 113 °F)
Maximum fastener length	39 mm (1.5 in)
Maximum fastener length for GX 2-IE-XL	200 mm (7.9 in)
Fastener diameter	<ul style="list-style-type: none"> • 60 mm (2.4 in) • 3.90 mm (0.154 in)
Compression stroke	20 mm (0.8 in)
Maximum fastener driving frequency (Fasteners per hour)	800

5 Loading the fastening tool

5.1 Equipment required for driving fasteners

The fasteners are pushed manually on to the fastener guide.

5.2 Inserting the gas can

1. If you are using a new gas can, remove the transport safety device.
2. Open the gas can compartment cover.
3. Push the gas can (with metering valve fitted) into the red adapter in the gas can compartment.
4. Close the gas can compartment cover.

5.3 Inserting the battery

1. Check that the contacts on the battery and on the fastening tool are undamaged and free from foreign objects.
2. Fit the battery and make sure that it is heard to engage.
 - ◀ Once the battery has been fitted, the charge status LEDs light for a short time.

CAUTION

A falling battery presents a hazard. If the battery is not secured correctly it may drop out and fall while the work is in progress.

- ▶ Check that the battery is seated securely.
-
3. Check that the battery is securely seated in the fastening tool.

6 Driving fasteners

WARNING

Risk of injury due to accidental actuation! The uncontrolled driving of a fastener can cause serious injury

- ▶ Never press the nosepiece of the tool against your hand or any other part of the body.
 - ▶ Never pull back the magazine, fastener guide or fastener by hand.
-
1. Penetrate the insulating material with the fastener that is on the fastener guide.
 2. Press the fastening tool against the working surface as far as it will go (until fully compressed).
 3. Make sure that the fastener guide is perpendicular to the working surface and is seated against the insulation.
 4. Pull the safety trigger to drive a fastener.



It is not possible to drive a fastener if the fastening tool and the fastener are not pressed fully against the working surface.

5. Lift the fastening tool completely away from the working surface after driving a fastener.
6. When you finish work or are going to leave the fastening tool unattended, remove the gas can (→ page 8) and the battery ().

7 Unloading the fastening tool

7.1 Removing the battery

- ▶ Press the release button and pull the battery out of the fastening tool.

7.2 Removing the gas can

1. Open the gas can compartment.
2. Remove the gas can.
3. Close the gas can compartment.

8 Optional operating steps

8.1 Removing the transport safety device from a new gas can

1. Lift the transport safety device, containing the metering valve, away from the gas can.
2. Remove the metering valve from the transport safety device.
3. Fit the metering valve onto the gas can, with the foremost of the two grooves on the lip of the can.
4. Press the metering valve firmly onto the gas can, bringing the rearmost groove towards the lip of the can, until the metering valve is heard to snap into place over the lip and it then lies flush with the can.

8.2 Checking the status of the gas can

1. After inserting the battery, press the **GAS** button without pressing the fastening tool against the working surface.
2. Read the gas can status from the display.

8.3 Removing the fastener guide

1. Remove the battery.
2. Remove the gas can.
3. Move the fastener guide release slider to the **EJECT** position.
4. Remove the fastener guide.

8.4 Inserting the fastener guide

1. Remove the gas can.
2. Remove the battery.
3. Push the fastener guide release slider in the direction indicated by the arrow to the **EJECT** position and hold it there.



The fastener guide can be inserted only when the slider is held in the **EJECT** position.

4. Slide the fastener guide into the slot in the nose of the fastening tool until it engages with an audible click.
5. Check that the fastener guide is seated correctly.

9 Remediating possible malfunctions

9.1 Removing foreign objects from the area of the fastener guide

1. Remove the battery.
2. Remove the gas can.
3. Remove the fastener guide.
4. Remove all foreign objects from the area of the fastener guide.
5. Insert the fastener guide.




10 Care and maintenance

10.1 Caring for the fastening tool

- ▶ Clean the fastening tool regularly with a cloth.
- ▶ Keep the grip areas free from oil and grease.
- ▶ Do not use spray equipment, pressure jet washers or running water for cleaning.
- ▶ Do not use cleaning agents containing silicone.
- ▶ Do not use sprays or similar lubricating and cleaning agents.
- ▶ Never operate the fastening tool if the cooling air slots are blocked.

10.2 Cleaning the fastening tool

 The fastening tool must be cleaned and serviced regularly. We recommend that a cleaning service is carried out, at the latest, after driving 25,000 fasteners.

- ▶ Clean the fastening tool, or have it cleaned, if malfunctions such as misfiring occur increasingly.
- ▶ For cleaning, use the cleaning set (available as an accessory) and observe the illustrated cleaning instructions enclosed with it.

10.3 Maintenance

- ▶ To help ensure safe and reliable operation, use only genuine Hilti spare parts and consumables. Spare parts, consumables and accessories approved by Hilti for use with the product can be found at your local **Hilti Center** or online at: www.hilti.group.
- ▶ Check all external parts of the fastening tool for signs of damage at regular intervals and make sure that all the controls function correctly.
- ▶ Do not use the fastening tool if parts are damaged or if the controls do not function correctly.
- ▶ Have a defective fastening tool repaired by **Hilti Service**.

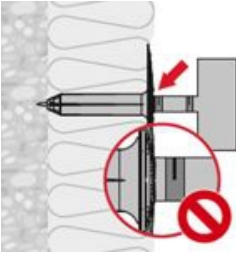
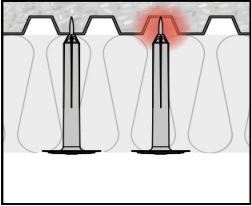
10.4 Checks after care and maintenance work

- ▶ After maintenance, check that the fastener guide is fitted.


11 Troubleshooting

If the trouble you are experiencing is not listed in this table or you are unable to remedy the problem by yourself, please contact **Hilti Service**.

Trouble or fault	Possible cause	Action to be taken
The content of the gas can is inadequate for the number of fasteners in the package.	High gas consumption due to frequent compression of the tool nosepiece without driving a fastener.	▶ Avoid compressing the tool nosepiece without driving a fastener.
The fastener guide hasn't fully extended after driving a fastener.	Foreign matter or debris has jammed in the fastener guide.	▶ Remove the fastener guide. ▶ Clean the fastener guide. ▶ Remove foreign matter from the area of the fastener guide.
	Fastener guide is worn.	▶ Replace the fastener guide.
No fastener is driven.	The battery is discharged	▶ Change the battery or charge the empty battery.
	Empty gas can	▶ Check the status of the gas can. → page 8
	LED 1 lights red	▶ Check the status of the gas can. → page 8
	Incorrect piston position due to lifting the tool away too soon after driving the fastener.	▶ Keep the tool pressed against the surface for longer.

Trouble or fault	Possible cause	Action to be taken
No fastener is driven.	Incorrect piston position due to foreign-matter build-up	▶ Clean the fastening tool.
	Foreign object in the area of the fastener guide.	▶ Remove foreign objects from the area of the fastener guide.
	Electronic fault.	▶ Remove the gas can and then reinsert it. If the problem persists, use a new gas can. ▶ Remove the battery and then reinsert it.
 <p>Fastener does not penetrate deeply enough into the material.</p>	<p>The system is unsuitable. The supporting material is too hard.</p>	▶ Switch to a Hilti DX system.
	Drive energy too low.	▶ Check the tool. Contact Hilti Service .
 <p>Surface of the material is too uneven.</p>	Surface of the material is too uneven.	▶ Switch to a Hilti DX system.

12 Disposal

 Most of the materials from which **Hilti** tools and appliances are manufactured can be recycled. The materials must be correctly separated before they can be recycled. In many countries, your old tools, machines or appliances can be returned to **Hilti** for recycling. Ask **Hilti Service** or your **Hilti** representative for further information.



- ▶ Do not dispose of power tools, electronic equipment or batteries as household waste!

13 Manufacturer's warranty

- ▶ Please contact your local **Hilti** representative if you have questions about the warranty conditions.

14 FCC statement (applicable in US) / IC statement (applicable in Canada)

This device complies with Part 15 of the FCC Rules and RSS-210 of IC. Operation is subject to the following two conditions:

1. This device shall cause no harmful interference.
2. This device must accept any interference received, including interference that may cause undesired operation.

1 Indications relatives à la documentation

1.1 À propos de cette documentation

- Lire intégralement la présente documentation avant la mise en service. C'est la condition préalablement requise pour assurer la sécurité du travail et un maniement sans perturbations.
- Bien respecter les consignes de sécurité et les avertissements de la présente documentation ainsi que celles figurant sur le produit.
- Toujours conserver le mode d'emploi à proximité du produit et uniquement le transmettre à des tiers avec ce mode d'emploi.

1.2 Explication des symboles

1.2.1 Avertissements

Les avertissements attirent l'attention sur des dangers liés à l'utilisation du produit. Les termes de signalisation suivants sont utilisés :

DANGER

DANGER !

- ▶ Pour un danger imminent qui peut entraîner de graves blessures corporelles ou la mort.

AVERTISSEMENT

AVERTISSEMENT !

- ▶ Pour un danger potentiel qui peut entraîner de graves blessures corporelles ou la mort.

ATTENTION

ATTENTION !

- ▶ Pour attirer l'attention sur une situation pouvant présenter des dangers entraînant des blessures corporelles légères ou des dégâts matériels.

1.2.2 Symboles dans la documentation

Les symboles suivants sont utilisés dans la présente documentation :

	Lire le mode d'emploi avant d'utiliser l'appareil
	Pour des conseils d'utilisation et autres informations utiles
	Maniement des matériaux recyclables
	Ne pas jeter les appareils électriques et les accus dans les ordures ménagères

1.2.3 Symboles dans les illustrations

Les symboles suivants sont utilisés dans les illustrations :

	Ces chiffres renvoient à l'illustration correspondante au début du présent mode d'emploi
	La numérotation détermine la séquence des étapes de travail dans l'image et peut se différencier de celles des étapes de travail dans le texte
	Les numéros de position sont utilisés dans l'illustration Vue d'ensemble et renvoient aux numéros des légendes dans la section Vue d'ensemble du produit
	Ce signe doit inviter à manier le produit en faisant particulièrement attention.
	Transmission de données sans fil

1.3 Symboles spécifiques au produit

1.3.1 Symboles sur le produit

Les symboles suivants sont utilisés sur le produit :

	Symboles d'obligation généraux
	Porter des lunettes de protection
	Porter un casque antibruit
	Porter un casque de protection
	Recycler les déchets

1.3.2 Mise en évidence de désignations et inscriptions

Les désignations et inscriptions sont mises en évidence comme suit :

, '	Désignation des organes de commande pourvus d'une inscription sur le cloueur.
« »	Inscriptions sur le cloueur

1.4 Informations produit

Les produits Hilti sont conçus pour les utilisateurs professionnels et ne doivent être utilisés, entretenus et réparés que par un personnel agréé et formé à cet effet. Ce personnel doit être au courant des dangers inhérents à l'utilisation de l'appareil. Le produit et ses accessoires peuvent s'avérer dangereux s'ils sont utilisés de manière incorrecte par un personnel non qualifié ou de manière non conforme à l'usage prévu.

- ▶ Reporter la désignation et le numéro de série qui se trouvent sur la plaque signalétique dans le tableau suivant.
- ▶ Toujours fournir ces informations en cas de questions relatives au produit pour communiquer avec notre représentant ou agence Hilti.

Caractéristiques produit

Cloueur à gaz	GX-IE GX-IE XL
Génération :	01
Numéro de série :	

1.5 Déclaration de conformité

Nous déclarons sous notre seule et unique responsabilité que le produit décrit ici est conforme aux directives et normes en vigueur. Une copie de l'attestation délivrée par l'organisme de certification se trouve en fin de la présente documentation.

Pour obtenir les documentations techniques, s'adresser à :

Hilti Entwicklungsgesellschaft mbH | Zulassung Geräte | Hiltistraße 6 | 86916 Kaufering, DE

2 Sécurité

2.1 Consignes de sécurité

Ces consignes de sécurité valent pour les appareils avec et sans chargeur.

Travail en toute sécurité avec le cloueur

- ▶ Si le cloueur est appuyé contre une partie du corps, un déclenchement d'un tir par mégarde peut entraîner de graves blessures. **Ne jamais appuyer le cloueur contre la main ou contre toute autre partie du corps.**
- ▶ Lors du montage des fixations spécifiques aux applications sur le canon (p. ex. rondelles, colliers de fixation, attaches, etc.), un déclenchement d'un tir par mégarde peut entraîner de graves blessures. **Ne jamais appuyer une main ou une partie du corps contre le canon lors du montage des fixations spécifiques aux applications sur le canon.**
- ▶ **Ne jamais diriger le cloueur vers soi ou vers une autre personne.**



- ▶ **Lors du manieement du cloueur, garder les bras fléchis (ne pas tendre les bras).**
- ▶ Lors du retrait du pousoir à clous, toujours veiller à ce qu'il s'encliquette.
- ▶ **Lors du déblocage de l'enclenchement de sécurité, guider le pousoir à clous vers l'avant afin d'éviter qu'il ne se dégage trop rapidement.** L'utilisateur risque de se coincer les doigts.
- ▶ Ne pas implanter d'éléments de fixation **dans un matériau support trop dur**, comme de l'acier soudé ou de l'acier fondu. Une implantation dans ces matériaux peut entraîner des ratés de tir ou rendre les éléments de fixation cassants.
- ▶ Ne pas implanter d'éléments de fixation **dans un matériau support trop mou**, comme du bois ou du placoplâtre. Une implantation dans ces matériaux peut entraîner des ratés de tir et des perforations du matériau support.
- ▶ Ne pas implanter d'éléments de fixation **dans un matériau support trop fragile**, comme du verre ou du carrelage. Une implantation dans ces matériaux peut entraîner des ratés de tir et une projection d'éclats du matériau support.
- ▶ Avant d'implanter, vérifier qu'il n'y a aucun risque de blesser une personne ou d'endommager des objets à l'arrière du matériau support.
- ▶ Actionner le déclencheur uniquement lorsque le cloueur est complètement appuyé contre le matériau support, de telle sorte que le canon rentre jusqu'en butée dans le cloueur.
- ▶ **Porter impérativement des gants de protection lorsque des opérations d'entretien doivent être effectuées sur un cloueur chaud.**
- ▶ En cas de cadences de tir élevées pendant une période prolongée, les surfaces hors de la partie préhensible risquent de devenir brûlantes. Porter des gants de protection contre les brûlures.
- ▶ En cas de surchauffe du cloueur, retirer la cartouche de gaz et laisser le cloueur refroidir. Ne pas dépasser la cadence de tir maximale.
- ▶ Pendant le tir, le matériau peut s'écailler ou des fragments du matériau de bande-chargeur peuvent être projetés. Les éclats de matière peuvent entraîner des blessures corporelles et aux yeux. **Utiliser des lunettes de protection, un casque antibruit et un casque de protection.** Le fait de porter des équipements de protection personnels tels que masque anti-poussières, chaussures de sécurité antidérapantes, casque de protection ou protection acoustique, suivant le travail à effectuer avec le cloueur, réduit le risque de blessures. Les autres personnes se trouvant à proximité doivent également porter des lunettes de protection et un casque de protection.
- ▶ Porter un casque antibruit approprié (voir les données d'émissions acoustiques dans les caractéristiques techniques). L'implantation des éléments de fixation est déclenchée par la mise à feu d'un mélange air-gaz. Les nuisances sonores ainsi générées peuvent entraîner une perte d'acuité auditive. Même les personnes environnantes doivent porter un casque antibruit approprié.
- ▶ Toujours maintenir le cloueur fermement et perpendiculairement au matériau support pour déclencher un tir. Cela contribue à ce que l'élément de fixation ne soit pas dévié du matériau support.
- ▶ Ne jamais implanter un deuxième élément de fixation au même endroit. Cela risque de rendre les éléments de fixation cassants et de les coincer.
- ▶ Toujours retirer la cartouche de gaz et l'accu et vider le chargeur, avant de remplacer le chargeur ou de procéder aux travaux de nettoyage, de service et d'entretien, ainsi qu'avant le stockage et le transport, ou si le cloueur est laissé sans surveillance.
- ▶ Vérifier que le cloueur et les accessoires ne sont pas endommagés, pour assurer un fonctionnement sans défaillances et conforme à sa destination. Vérifier que toutes les pièces mobiles fonctionnent parfaitement et ne coincent pas, et que les pièces ne sont pas abîmées. Toutes les pièces doivent être montées correctement et remplir toutes les conditions propres à garantir le parfait fonctionnement du cloueur. Les dispositifs de sécurité et les pièces endommagées doivent être réparés ou remplacés de manière professionnelle par le S.A.V. Hilti, sauf indication contraire dans le mode d'emploi.
- ▶ Ne faire réparer le cloueur que par un personnel qualifié et seulement avec des pièces de rechange d'origine. Ceci permet d'assurer la sécurité du cloueur.
- ▶ Toute manipulation ou modification du cloueur est interdite.
- ▶ **Ne pas utiliser le cloueur dans des endroits présentant un danger d'incendie ou d'explosion.**
- ▶ Prêter attention aux influences de l'environnement. Protéger le cloueur des intempéries, et ne pas l'utiliser dans un environnement humide ou mouillé.
- ▶ Utiliser le cloueur uniquement dans des emplacements bien aérés.
- ▶ Utiliser les combinaisons de canon et d'éléments de fixation appropriées. Une combinaison erronée risque d'endommager le cloueur ou de nuire à la qualité de la fixation.
- ▶ Toujours respecter les consignes d'utilisation.

Risques liés au courant électrique

- ▶ **Avant d'entamer les travaux, contrôler l'espace de travail, p. ex. à l'aide d'un détecteur de métaux, afin de vérifier l'absence de câbles ou gaines électriques, conduites de gaz ou d'eau cachés.**



- ▶ Tenir le cloueur uniquement par la poignée isolée s'il y a un risque lors des travaux de toucher des câbles électriques cachés. Le contact avec un câble sous tension risque de mettre les parties métalliques du cloueur sous tension et de provoquer une décharge électrique.

Utilisation et emploi soigneux des appareils sans fil

- ▶ **S'assurer que l'appareil est effectivement en position d'arrêt avant de monter l'accumulateur.** Le fait de monter un accumulateur dans un outil électroportatif en position de fonctionnement peut causer des accidents.
- ▶ **Ne pas exposer les accus à des températures élevées, ni au rayonnement direct du soleil ni au feu.** Il y a risque d'explosion.
- ▶ **Les accus ne doivent pas être démontés, écrasés, chauffés à une température supérieure à 80 °C ou jetés au feu.** Sinon, il y a risque d'incendie, d'explosion et de brûlure par l'acide.
- ▶ **Éviter toute pénétration d'humidité.** Toute infiltration d'humidité risque de provoquer un court-circuit et des brûlures ou un incendie.
- ▶ **Utiliser uniquement les accus homologués pour l'appareil concerné.** En cas d'utilisation d'autres accus ou d'utilisation des accus à d'autres fins, il y a risque d'incendie et d'explosion.
- ▶ **Respecter les directives spécifiques relatives au transport, au stockage et à l'utilisation des accus Li-Ion.**
- ▶ **Pour le stockage et le transport, sortir l'accu de l'appareil.**
- ▶ **Éviter tout court-circuit sur l'accu. S'assurer que les contacts de l'accu et de l'appareil sont exempts de corps étrangers, avant d'introduire l'accu dans l'appareil.** Si les contacts d'un accu sont court-circuités, il y a risque d'incendie, d'explosion et de brûlure par acide.
- ▶ **Les accus endommagés (p. ex. accus fissurés, pièces cassées, contacts tordus, déformés vers l'intérieur ou l'extérieur) ne doivent plus être chargés ni utilisés.**
- ▶ Si un accu est trop chaud pour être touché, il peut être défectueux. Laisser l'accu refroidir dans un endroit ininflammable. S'assurer qu'il n'y a aucun matériau inflammable à proximité. Contacter le S.A.V. Hilti.

Consignes quant au maniement du gaz utilisé

- ▶ Respecter les consignes d'utilisation figurant sur la cartouche de gaz et les informations descriptives qui l'accompagnent.
- ▶ Les émanations de gaz sont nocives pour les poumons, la peau et les yeux. Tenir le visage et les yeux éloignés du compartiment à cartouche de gaz pendant 10 secondes après avoir retiré la cartouche de gaz.
- ▶ Ne pas actionner manuellement la soupape de la cartouche de gaz.
- ▶ Si une personne a inhalé du gaz, l'accompagner sans tarder à l'air libre ou dans un local bien ventilé et lui faire adopter une position confortable. Si nécessaire, consulter un médecin.
- ▶ **Si une personne est inconsciente, consulter un médecin.** Installer la personne dans un local bien ventilé et la mettre sur le côté dans une position stable. Si la personne ne respire plus, lui faire du bouche-à-bouche et, si nécessaire, utiliser une source d'oxygène.
- ▶ En cas de contact du gaz avec les yeux, rincer les yeux ouverts pendant plusieurs minutes à l'eau courante.
- ▶ En cas de contact du gaz avec la peau, nettoyer soigneusement les zones de contact avec du savon et de l'eau chaude. Appliquer ensuite une crème de soins pour la peau.

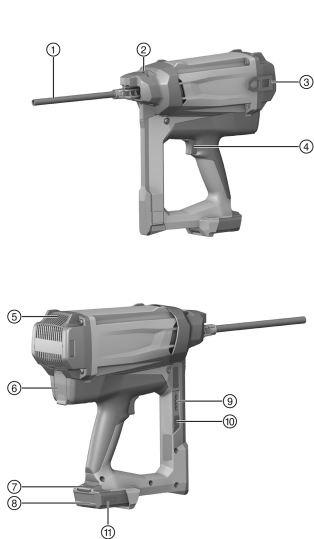
Consignes générales relatives à la sécurité personnelle

- ▶ Veiller à adopter une posture ergonomique. Veiller à toujours garder une position stable et équilibrée. Ceci permet de mieux contrôler le cloueur dans des situations inattendues.
- ▶ Lors des travaux, tenir toute tierce personne, notamment les enfants, éloignés du champ d'action.



3 Description

3.1 Vue d'ensemble du produit



- ① Canon
- ② Curseur de déverrouillage du canon
- ③ Patte d'accrochage à la ceinture
- ④ Déclencheur
- ⑤ Ouïes d'aération
- ⑥ Compartiment de la cartouche de gaz
- ⑦ Bouton de déverrouillage de l'accu
- ⑧ Indicateur de l'état de charge de l'accu
- ⑨ Touche pour l'affichage de la cartouche de gaz
- ⑩ Affichage de la cartouche de gaz
- ⑪ Accu

3.2 Utilisation conforme à l'usage prévu

Le produit décrit est un cloueur à gaz. Il est conçu pour planter des éléments de fixation appropriés dans le béton et d'autres matériaux support appropriés à montage direct.

Le cloueur, la cartouche de gaz, l'accu et les éléments de fixation forment une unité technique. Cela signifie que des fixations sans problèmes avec ce cloueur peuvent uniquement être garanties, si les éléments de fixation ainsi que les recharges de gaz et les accus de **Hilti** spécifiquement conçus pour le cloueur sont utilisés. Les recommandations de **Hilti** concernant les fixations et applications sont uniquement valables dans ces conditions.

Le cloueur ne doit être utilisé que tenu à la main.

- ▶ Pour ce produit, utiliser exclusivement les accus Li-Ion **Hilti** de la série B 12.
- ▶ Pour ces accus, utiliser exclusivement les chargeurs **Hilti** de la série C 4/12-50.

3.3 Équipement livré

Cloueur à gaz avec canon, 2 accus, chargeur, coffret, mode d'emploi.

D'autres produits système autorisés pour votre produit peuvent être obtenus auprès du S.A.V. **Hilti** ou en ligne sous : www.hilti.com

3.4 Canon

Le canon maintient la cheville isolant et dirige l'élément de fixation lors du tir à l'endroit voulu dans le matériau support.

3.5 Curseur de déverrouillage du canon

Dans la position **EJECT**, le curseur déverrouille le canon pour le retrait.

État	Signification
EJECT	• Déverrouillage du canon

3.6 Patte d'accrochage à la ceinture

La patte d'accrochage à la ceinture peut être tirée à trois niveaux.

État	Signification
Niveau 1	<ul style="list-style-type: none"> Position pour l'accrochage à la ceinture
Niveau 2	<ul style="list-style-type: none"> Position pour l'accrochage à une échelle, un échafaudage, un portique, etc.
Niveau 3	<ul style="list-style-type: none"> Patte d'accrochage à la ceinture enlevée

3.7 Cartouche de gaz

Respecter les consignes de sécurité qui sont fournies avec la cartouche de gaz !

Pour son utilisation, la cartouche de gaz doit être introduite dans le compartiment à cartouche du cloueur. L'état de la cartouche de gaz peut être lu sur l'afficheur à LED après avoir appuyé sur la touche **GAS**. En cas d'interruptions de travail, avant les travaux d'entretien et avant le stockage et le transport du cloueur, il faut retirer la cartouche de gaz.

3.8 Indication du niveau de charge de la cartouche de gaz

Après avoir appuyé sur la touche **GAS**, l'afficheur à LED indique l'état de la cartouche de gaz.

État	Signification
Toutes les quatre LED sont allumées en vert.	<ul style="list-style-type: none"> L'état de charge est de 100 % à 75 %.
Trois LED sont allumées en vert.	<ul style="list-style-type: none"> L'état de charge est de 75 % à 50 %.
Deux LED sont allumées en vert.	<ul style="list-style-type: none"> L'état de charge est de 50 % à 25 %.
Une LED est allumée en vert.	<ul style="list-style-type: none"> L'état de charge est de 25 % à 10 %.
Une LED clignote en vert.	<ul style="list-style-type: none"> Niveau de remplissage inférieur à 10 %. Il est recommandé de remplacer la cartouche de gaz. La cartouche de gaz est vide ou non opérationnelle. Il est recommandé de remplacer la cartouche de gaz. <p>Même si l'état de remplissage affiché est "vide", la cartouche de gaz contient pour des raisons techniques encore un peu de gaz.</p>
Une LED clignote en rouge.	<ul style="list-style-type: none"> Soit il n'y a pas de cartouche de gaz dans le cloueur, soit le type de cartouche ne convient pas.

3.9 Indication du niveau de charge de l'accu

Lorsque la touche de déverrouillage de l'accu est actionnée, l'afficheur indique le niveau de charge de l'accu et du cloueur.

État	Signification
Toutes les quatre LED sont allumées en vert.	<ul style="list-style-type: none"> L'état de charge est de 75 % à 100 %.
Trois LED sont allumées en vert.	<ul style="list-style-type: none"> L'état de charge est de 50 % à 75 %.
Deux LED sont allumées en vert.	<ul style="list-style-type: none"> L'état de charge est de 25 % à 50 %.
Une LED est allumée en vert.	<ul style="list-style-type: none"> L'état de charge est de 10 % à 25 %.
Une LED clignote en vert.	<ul style="list-style-type: none"> L'état de charge est inférieur à 10 %. Le cloueur n'est pas prêt à fonctionner car il est surchargé ou surchauffé.



4 Caractéristiques techniques

4.1 Cloueur

Poids (à vide) GX 2-IE	3,3 kg (7,3 lb)
Poids (à vide) GX 2-IE-XL	3,4 kg (7,5 lb)
Longueur de l'appareil pour GX 2-IE	500 mm (19,7 in)
Longueur de l'appareil pour GX 2-IE-XL	550 mm (21,7 in)
Température de service, température ambiante	-10 °C ... 45 °C (14 °F ... 113 °F)
Longueur maximale des éléments de fixation	39 mm (1,5 in)
Longueur maximale des éléments de fixation pour GX 2-IE-XL	200 mm (7,9 in)
Diamètre des éléments de fixation	<ul style="list-style-type: none"> • 60 mm (2,4 in) • 3,90 mm (0,154 in)
Course d'implantation	20 mm (0,8 in)
Cadence de tir maximale (Éléments de fixation/h)	800

5 Chargement du cloueur

5.1 Équipements pour l'implantation d'éléments de fixation

Les éléments de fixation sont poussés à la main sur le canon.

5.2 Insertion de la cartouche de gaz

1. Si une nouvelle cartouche de gaz est mise en place, retirer la sécurité de transport.
2. Ouvrir le couvercle du compartiment à cartouche de gaz.
3. Pousser la cartouche de gaz avec la vanne de dosage montée et l'adaptateur rouge dans le compartiment de la cartouche de gaz.
4. Fermer le couvercle du compartiment à cartouche de gaz.

5.3 Introduction de l'accu

1. S'assurer que les contacts de l'accu et du cloueur sont exempts de corps étrangers et qu'ils ne sont pas endommagés.
2. Insérer l'accu et veiller à ce qu'il s'encliquette en butée de manière audible.
 - ◀ Une fois l'accu introduit, les LED indicateurs de l'état de charge s'allument brièvement.

ATTENTION

Risques en cas de chute de l'accu. Si l'accu n'est pas correctement verrouillé, il risque de tomber pendant le travail.

- ▶ Vérifier que l'accu est bien en place.
-
3. Vérifier que l'accu est bien en place dans le cloueur.

6 Tir d'éléments de fixation

AVERTISSEMENT

Risque de blessures entraînées par un déclenchement d'un tir par mégarde ! Une implantation incontrôlée peut entraîner de graves blessures

- ▶ Ne jamais appuyer le cloueur contre la main ou contre toute autre partie du corps.
- ▶ Ne jamais retirer à la main le chargeur, le canon ou des éléments de fixation.

1. Pénétrer dans le matériau isolant avec l'élément de fixation qui se trouve sur le canon.
2. Appuyer le cloueur jusqu'en butée contre le matériau support.
3. Veiller à ce que le canon soit perpendiculaire au matériau support et qu'il repose sur le matériau isolant.
4. Pour implanter, appuyer sur le déclencheur.



L'implantation n'est pas possible si le cloueur et l'élément de fixation ne sont pas appuyés jusqu'en butée contre le matériau support.

5. Une fois l'implantation terminée, relever complètement le cloueur du matériau support.
6. En fin de travail ou si le cloueur est laissé sans surveillance, retirer la cartouche de gaz (→ Page 18) et l'accu ().

7 Déchargement du cloueur

7.1 Retrait de l'accu

- ▶ Appuyer sur le bouton de déverrouillage et sortir l'accu du cloueur.

7.2 Retrait de la cartouche de gaz

1. Ouvrir le compartiment à cartouche de gaz.
2. Retirer la cartouche de gaz.
3. Fermer le compartiment à cartouche de gaz.

8 Opérations optionnelles

8.1 Retrait de la sécurité de transport de la cartouche de gaz neuve

1. Lever la sécurité de transport avec la vanne de dosage qu'elle contient de la cartouche de gaz.
2. Sortir la vanne de dosage de la sécurité de transport.
3. Poser la vanne de dosage avec la rainure avant des deux rainures sur la lèvre de la cartouche de gaz.
4. Presser fortement la vanne de dosage avec la rainure arrière contre la lèvre de la cartouche de gaz, jusqu'à ce que la rainure s'encliquette de manière audible sur la lèvre de la cartouche de gaz et que la vanne de dosage soit à plat.

8.2 Contrôle de la cartouche de gaz

1. Avec l'accu inséré, appuyer sur la touche **GAS** sans presser le cloueur.
2. Vérifier l'état de la cartouche de gaz.

8.3 Retrait du canon

1. Enlever l'accu.
2. Retirer la cartouche de gaz.
3. Mettre le curseur de déverrouillage du canon sur la position **EJECT**.
4. Sortir le canon.

8.4 Mise en place du canon

1. Retirer la cartouche de gaz.
2. Enlever l'accu.



3. Mettre le curseur de déverrouillage du canon sur la position **EJECT** dans la direction de la flèche et le maintenir dans cette position.



Le canon peut seulement être introduit si la position **EJECT** est maintenue.

4. Introduire le canon dans la fente du nez du cloueur jusqu'à ce qu'il s'encliquette de manière audible.
5. Vérifier que le canon est bien en place.

9 Dépannage

9.1 Retrait des corps étrangers dans et aux alentours du canon

1. Enlever l'accu.
2. Retirer la cartouche de gaz.
3. Retirer le canon.
4. Enlever tous les corps étrangers dans et aux alentours du canon.
5. Mettre le canon en place.

10 Nettoyage et entretien

10.1 Maniement soigneux du cloueur

- ▶ Nettoyer régulièrement le cloueur avec un chiffon.
- ▶ Veiller à ce que les parties préhensibles soient toujours exemptes d'huile et de graisse.
- ▶ Pour le nettoyage, n'utiliser ni pulvérisateur, ni appareil à jet de vapeur, ni eau courante.
- ▶ Ne pas utiliser de nettoyants à base de silicone.
- ▶ Ne pas utiliser de spray ou tout autre lubrifiant et/ou nettoyant similaires.
- ▶ Ne jamais faire fonctionner le cloueur si ses ouïes d'aération sont bouchées.

10.2 Nettoyage du cloueur



Le cloueur doit être régulièrement entretenu et nettoyé. Nous recommandons un service de nettoyage au plus tard toutes les 25.000 fixations.

- ▶ Nettoyer le cloueur ou le faire nettoyer, dès lors que des défaillances à répétition surviennent, telles que des ratés de mise à feu du gaz.
- ▶ Pour nettoyer, utiliser le kit de nettoyage disponible en tant qu'accessoire et respecter les instructions d'utilisation illustrées se rapportant au kit de nettoyage.

10.3 Entretien

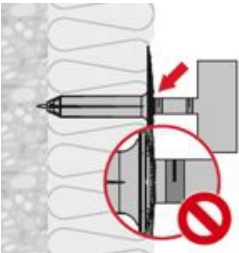
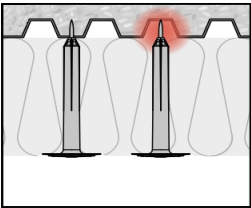
- ▶ Pour une utilisation en toute sécurité, utiliser uniquement des pièces de rechange et consommables d'origine. Les pièces de rechange, consommables et accessoires autorisés convenant pour le produit sont disponibles auprès d'un centre **Hilti** ou sous : www.hilti.group.
- ▶ Contrôler régulièrement toutes les pièces extérieures du cloueur afin de vérifier qu'elles ne sont pas abîmées et s'assurer que tous les organes de commande fonctionnent correctement.
- ▶ Ne pas utiliser le cloueur si des pièces sont abîmées ou si des organes de commande ne fonctionnent pas parfaitement.
- ▶ Faire réparer tout cloueur défectueux par le service **Hilti**.

10.4 Contrôle après des travaux de nettoyage et d'entretien

- ▶ Après des travaux de nettoyage et d'entretien, s'assurer que le canon est en place.


11 Aide au dépannage

En cas de défaillances non énumérées dans ce tableau ou auxquelles il n'est pas possible de remédier sans aide, contacter le S.A.V. **Hilti**.

Défaillance	Causes possibles	Solution
Le contenu de la cartouche de gaz ne suffit pas pour l'unité de conditionnement des éléments de fixation.	Consommation de gaz accrue du fait d'un actionnement trop fréquent sans implantation.	<ul style="list-style-type: none"> ▶ Éviter d'actionner sans implanter.
Après un tir, le canon n'est pas complètement sorti.	Un corps étranger ou des débris sont restés coincés dans le canon.	<ul style="list-style-type: none"> ▶ Retirer le canon. ▶ Nettoyer le canon. ▶ Enlever tout corps étranger dans et aux alentours du canon.
	Le canon est usé.	<ul style="list-style-type: none"> ▶ Remplacer le canon.
Le cloueur n'implante pas.	Accu vide	<ul style="list-style-type: none"> ▶ Remplacer l'accu ou charger l'accu vide.
	La cartouche de gaz est vide	<ul style="list-style-type: none"> ▶ Contrôler l'état de la cartouche de gaz. → Page 18
	LED 1 allumée en rouge	<ul style="list-style-type: none"> ▶ Contrôler l'état de la cartouche de gaz. → Page 18
	Position incorrecte du piston du fait du retrait trop précoce après le tir	<ul style="list-style-type: none"> ▶ Laisser le cloueur appuyé plus longtemps.
	Position incorrecte du piston à cause d'encrassement	<ul style="list-style-type: none"> ▶ Nettoyer le cloueur.
	Corps étrangers dans et aux alentours du canon	<ul style="list-style-type: none"> ▶ Enlever tout corps étranger dans et aux alentours du canon.
	Défaut électronique	<ul style="list-style-type: none"> ▶ Retirer la cartouche de gaz et la remettre en place. Si le problème persiste, mettre une cartouche de gaz neuve.
		<ul style="list-style-type: none"> ▶ Enlever l'accu et le remettre en place.
 <p>L'élément de fixation ne pénètre pas suffisamment profondément dans le matériau support.</p>	Système inapproprié. Matériau support trop dur	<ul style="list-style-type: none"> ▶ Passer à un système Hilti DX.
		Force motrice trop faible.
 <p>Surface du matériau support trop inégale.</p>	Surface du matériau support trop inégale.	<ul style="list-style-type: none"> ▶ Passer à un système Hilti DX.



12 Recyclage

 Les appareils **Hilti** sont fabriqués pour une grande partie en matériaux recyclables. Le recyclage présuppose un tri adéquat des matériaux. **Hilti** reprend les appareils usagés dans de nombreux pays en vue de leur recyclage. Consulter le service clients **Hilti** ou un conseiller commercial.



- ▶ Ne pas jeter les appareils électriques, électroniques et accus dans les ordures ménagères !
-

13 Garantie constructeur

- ▶ En cas de questions sur les conditions de garantie, veuillez vous adresser à votre partenaire **Hilti** local.

14 Déclaration FCC (applicable aux États-Unis / Déclaration IC (applicable au Canada))

Cet appareil est conforme au paragraphe 15 des dispositions FCC et RSS-210 de IC. La mise en service est soumise aux deux conditions suivantes :

1. Cet appareil ne devrait pas générer de rayonnements nuisibles.
2. L'appareil doit absorber toutes sortes de rayonnements, y compris les rayonnements entraînant des opérations indésirables.



1 Indicações sobre a documentação

1.1 Sobre esta documentação

- Antes da colocação em funcionamento, leia esta documentação. Esta é a condição para um trabalho seguro e um manuseamento sem problemas.
- Tenha em atenção as instruções de segurança e as advertências nesta documentação e no produto.
- Guarde o manual de instruções sempre junto do produto e entregue-o a outras pessoas apenas juntamente com este manual.

1.2 Explicação dos símbolos

1.2.1 Advertências

As advertências alertam para perigos durante a utilização do produto. São utilizadas as seguintes palavras de aviso:



PERIGO !

- ▶ Indica perigo iminente que pode originar acidentes pessoais graves ou até mesmo fatais.



AVISO !

- ▶ Indica um possível perigo que pode causar graves ferimentos pessoais, até mesmo fatais.



CUIDADO !

- ▶ Indica uma situação potencialmente perigosa que pode originar ferimentos ligeiros ou danos materiais.

1.2.2 Símbolos na documentação

Nesta documentação são utilizados os seguintes símbolos:

	Leia o manual de instruções antes da utilização
	Instruções de utilização e outras informações úteis
	Manuseamento com materiais recicláveis
	Não deitar as ferramentas eléctricas e baterias no lixo doméstico

1.2.3 Símbolos nas figuras

Em figuras são utilizados os seguintes símbolos:

	Estes números referem-se à respectiva imagem no início deste Manual
	A numeração reproduz uma sequência dos passos de trabalho na imagem e pode divergir dos passos de trabalho no texto
	Na figura Vista geral são utilizados números de posição que fazem referência aos números da legenda na secção Vista geral do produto
	Este símbolo pretende despertar a sua atenção durante o manuseamento do produto.
	Transferência de dados sem fios

1.3 Símbolos dependentes do produto

1.3.1 Símbolos no produto

No produto são utilizados os seguintes símbolos:

	Sinal de obrigação geral
	Use óculos de protecção
	Use protecção auricular
	Use capacete de segurança
	Recicle os desperdícios

1.3.2 Realce de designações e inscrições

Designações e inscrições estão identificadas do seguinte modo:

, '	Designação de elementos de comando com inscrições na ferramenta de fixação.
« »	Inscrições na ferramenta de fixação

1.4 Dados informativos sobre o produto

Os produtos **Hilti** foram concebidos para uso profissional e só devem ser utilizados, mantidos e reparados por pessoal autorizado e devidamente credenciado. Estas pessoas deverão estar informadas em particular sobre os potenciais perigos. O produto e seu equipamento auxiliar podem representar perigo se usados incorrectamente por pessoas não qualificadas ou se usados para fins diferentes daqueles para os quais foram concebidos.

- ▶ Registe a designação e o número de série da placa de características na tabela seguinte.
- ▶ Faça referência a estas informações sempre que entrar em contacto com o nosso representante ou posto de serviço de atendimento aos clientes para colocar questões sobre o produto.

Dados do produto

Ferramenta de fixação, a gás	GX-IE GX-IE XL
Geração:	01
N.º de série:	

1.5 Declaração de conformidade

Declaramos sob nossa exclusiva responsabilidade que o produto aqui descrito está em conformidade com as directivas e normas em vigor. Na parte final desta documentação encontra uma reprodução do organismo de certificação.

As documentações técnicas estão aqui guardadas:

Hilti Entwicklungsgesellschaft mbH | Zulassung Geräte | Hiltistraße 6 | 86916 Kaufering, DE

2 Segurança

2.1 Normas de segurança

Estas normas de segurança são válidas para ferramentas com e sem carregador.

Trabalho seguro com a ferramenta de fixação

- ▶ Em caso de pressionamento da ferramenta de fixação contra uma parte do corpo podem ocorrer ferimentos graves devido a um accionamento accidental de uma fixação. **Nunca pressione a ferramenta de fixação contra a sua mão ou uma outra parte do corpo.**
- ▶ Ao encaixar fixadores específicos para uma determinada aplicação na guia de pregos (por exemplo, chapas redondas, abraçadeiras, grampos, etc.) podem ocorrer ferimentos devido ao accionamento accidental de uma fixação. **Ao encaixar fixadores específicos para uma determinada aplicação, nunca pressione com a mão ou outra parte do corpo contra a guia de pregos.**
- ▶ **Nunca aponte a ferramenta de fixação na sua direcção ou na direcção de terceiros.**
- ▶ **Mantenha os braços flectidos quando utilizar a ferramenta de fixação (não estique os braços).**
- ▶ Ao puxar para trás o dispensador de pregos, certifique-se de que este engata.

- ▶ **Não permita que o dispensador de pregos ressalte para a frente quando solta o retentor; em vez disso desloque-o para a frente.** Pode entalar os dedos.
- ▶ Não fixe os elementos de fixação **numa material base demasiado duro**, como aço soldado ou aço fundido. A fixação nestes materiais pode causar fixações erradas e a ruptura de elementos de fixação.
- ▶ Não fixe os elementos de fixação **num material base demasiado macio**, como madeira ou gesso cartonado. A fixação nestes materiais pode causar fixações erradas e a perfuração do material base.
- ▶ Não fixe os elementos de fixação **num material base demasiado quebradiço**, como vidro ou ladrilhos. A fixação nestes materiais pode causar fixações erradas e a fragmentação do material base.
- ▶ Antes da fixação, certifique-se de que não existe a possibilidade de ferir pessoas ou danificar objectos que se encontrem atrás do material base.
- ▶ Accione o disparador apenas se a ferramenta de fixação estiver pressionada contra o material base, de forma a que a guia de pregos esteja introduzida até ao encosto na ferramenta de fixação.
- ▶ **Utilize impreterivelmente luvas de protecção quando tem de realizar manutenções na ferramenta de fixação quente.**
- ▶ Em caso de elevadas frequências de fixação após longos períodos de utilização, as superfícies no exterior do punho podem ficar quentes. Utilize luvas para protecção contra queimaduras.
- ▶ Se a ferramenta de fixação estiver sobreaquecida, retire a lata de gás e deixe a ferramenta de fixação arrefecer. Não exceda o número máximo de fixações recomendado.
- ▶ Quando se efectua uma fixação, pode acontecer que o material estilhace ou que seja projectado material da fita. Use óculos de protecção e capacete de segurança. **Utilize óculos de protecção, protecção auricular e capacete de segurança.** Equipamento de segurança, como, por exemplo, máscara antipoeiras, sapatos de segurança antiderrapantes, capacete de segurança ou protecção auricular, de acordo com o tipo e aplicação da ferramenta de fixação, reduzem o risco de lesões. Também outras pessoas na área envolvente devem utilizar óculos de protecção e um capacete de segurança.
- ▶ Utilize uma protecção auricular adequada (consultar a Informação sobre ruído nos Dados Técnicos). A fixação dos elementos de fixação é activada através da ignição de uma mistura de gás e ar. A carga sonora daí resultante pode prejudicar a audição. Também as pessoas na área envolvente devem utilizar uma protecção auricular adequada.
- ▶ Quando efectuar uma fixação, segure a ferramenta de fixação com firmeza e perpendicularmente à base. Assim, ajuda a evitar que o elemento de fixação faça ricochete no material base.
- ▶ Nunca fixe um segundo elemento de fixação no mesmo local. Tal pode causar rupturas e o emperramento de elementos de fixação.
- ▶ Retire sempre a lata de gás e a bateria) e esvazie o carregador), antes de substituir o carregador ou realizar trabalhos de limpeza, reparação e manutenção, bem como, antes do armazenamento e transporte, ou se deixar a ferramenta de fixação sem qualquer supervisão.
- ▶ Verifique a ferramenta de fixação e os acessórios quanto a eventuais danos para assegurar um funcionamento correcto. Certifique-se de que todas as peças móveis estão perfeitamente operacionais, sem encravar e sem avarias. Todas as peças devem estar correctamente encaixadas e preencher todos os requisitos de segurança da ferramenta de fixação. Dispositivos de protecção e componentes danificados devem ser reparados ou substituídos adequadamente pelo Centro de Assistência Técnica **Hilti**, desde que não seja indicado nada em contrário no manual de instruções.
- ▶ A sua ferramenta de fixação só deve ser reparada por pessoal qualificado e só devem ser utilizadas peças sobresselentes originais. Isto assegurará que a segurança da ferramenta de fixação se mantenha.
- ▶ Não é permitida a modificação ou manipulação da ferramenta de fixação.
- ▶ **Não utilize a ferramenta de fixação onde exista risco de incêndio ou de explosão.**
- ▶ Considere as influências ambientais. Não exponha a ferramenta de fixação à chuva, neve ou outras condições atmosféricas adversas. Não a utilize em locais húmidos ou molhados.
- ▶ Utilize a ferramenta de fixação apenas em áreas de trabalho bem ventiladas.
- ▶ Seleccione as combinações certas de guia de pregos e elemento de fixação. Uma combinação errada pode danificar a ferramenta de fixação ou reduzir a qualidade da fixação.
- ▶ Observe sempre as regras de aplicação.

Perigos devido a corrente eléctrica

- ▶ **Antes de iniciar os trabalhos, verifique o local de trabalho relativamente a cabos eléctricos encobertos, bem como tubos de gás e água, por ex., com um detector de metais.**
- ▶ Segure a ferramenta de fixação apenas pelo punho isolado, quando realizar trabalhos em que possa encontrar cabos eléctricos encobertos. O contacto com um cabo sob tensão também pode colocar partes metálicas da ferramenta de fixação sob tensão e causar um choque eléctrico.



Utilização e manutenção de ferramentas com bateria

- ▶ **Antes de introduzir a bateria, certifique-se de que a ferramenta está desligada.** A introdução de uma bateria numa ferramenta eléctrica ligada pode causar acidentes.
- ▶ **Mantenha as baterias afastadas de temperaturas elevadas, radiação solar directa e fogo.** Existe risco de explosão.
- ▶ **As baterias não podem ser desmanteladas, esmagadas, aquecidas acima dos 80 °C ou incineradas.** Caso contrário, existe risco de incêndio, explosão ou queimaduras/corrosão.
- ▶ **Evite a entrada de humidade.** A humidade infiltrada pode provocar um curto-circuito e originar queimaduras ou um incêndio.
- ▶ **Utilize exclusivamente as baterias aprovadas para a respectiva ferramenta.** A utilização de outras baterias ou a utilização das baterias para outras finalidades pode originar risco de fogo e explosão.
- ▶ **Observe as regras específicas sobre transporte, armazenamento e utilização de baterias de iões de lítio.**
- ▶ **Retire a bateria da ferramenta antes do armazenamento e transporte.**
- ▶ **Evite curto-circuitar os terminais da bateria. Antes de inserir a bateria na ferramenta, certifique-se de que os contactos da bateria e da ferramenta estão livres de corpos estranhos.** Se os contactos de uma bateria forem curto-circuitados, existe risco de incêndio, explosão e de queimaduras/corrosão.
- ▶ **Baterias danificadas (por ex., com fissuras, peças partidas, contactos dobrados, empurrados para trás e/ou puxados para fora) não podem ser carregadas nem continuar a ser utilizadas.**
- ▶ Uma bateria demasiado quente ao toque pode estar defeituosa. Deixe a bateria arrefecer num local à prova de fogo. Certifique-se de que não se encontra qualquer material combustível na sua proximidade. Contacte um Centro de Assistência Técnica Hilti.

Indicações para o manuseamento do gás utilizado

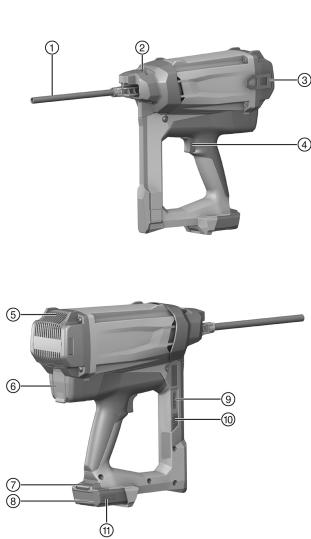
- ▶ Observe as indicações na lata de gás e nas informações fornecidas em conjunto.
- ▶ O gás que sai é prejudicial para os pulmões, pele e olhos. Mantenha o rosto e os olhos afastados do compartimento da lata de gás até aprox. 10 segundos após a remoção da lata de gás.
- ▶ Não accione a válvula da lata de gás manualmente.
- ▶ Em caso de inalação de gás, leve a pessoa para o ar livre ou um compartimento com boa ventilação e mantenha-a em posição confortável. Caso necessário, procure um médico.
- ▶ **Se uma pessoa estiver inconsciente, procure um médico.** Leve essa pessoa para um compartimento com boa ventilação e coloque-a na posição lateral estável. Se a pessoa tiver deixado de respirar, aplique respiração artificial e administre-lhe oxigénio, se necessário.
- ▶ Após contacto do gás com os olhos, lave-os muito bem com água, por alguns minutos.
- ▶ Em caso de contacto do gás com a pele, lave a superfície de contacto muito bem com água morna e sabão. Utilize ainda um creme para a pele.

Informações gerais sobre a segurança pessoal

- ▶ Mantenha uma postura corporal ergonómica. Mantenha sempre uma posição correcta, em perfeito equilíbrio. Desta forma será mais fácil manter o controlo sobre a ferramenta de fixação em situações inesperadas.
- ▶ Mantenha outras pessoas, e principalmente as crianças, afastadas do raio de acção da ferramenta durante os trabalhos.

3 Descrição

3.1 Vista geral do produto 1



- ① Guia de pregos
- ② Corrediça para destravamento da guia de pregos
- ③ Gancho de cinto
- ④ Disparador
- ⑤ Saídas de ar
- ⑥ Compartimento da lata de gás
- ⑦ Botão de destravamento da bateria
- ⑧ Indicação do estado de carga da bateria
- ⑨ Botão para indicação da lata de gás
- ⑩ Indicação de lata de gás
- ⑪ Bateria

3.2 Utilização correcta

O produto descrito é uma ferramenta de fixação a gás. Destina-se à fixação de elementos de fixação adequados em betão e outros materiais base apropriados para a fixação directa.

A ferramenta de fixação, a lata de gás, a bateria e os elementos de fixação formam uma unidade técnica. Isto significa que só se pode garantir uma fixação óptima, se forem utilizados elementos de fixação, latas de gás e baterias da **Hilti** concebidos especialmente para a ferramenta de fixação. As recomendações de fixação e aplicação indicadas pela **Hilti** só serão aplicáveis se estas condições forem observadas.

A ferramenta de fixação pode apenas ser utilizada manualmente.

- ▶ Para este produto, utilize apenas as baterias de iões de lítio **Hilti** da série B 12.
- ▶ Para estas baterias, utilize apenas os carregadores **Hilti** da série C4/4/12-50.

3.3 Incluído no fornecimento

Ferramenta de fixação a gás com guia de pregos, 2 baterias, carregador, mala, manual de instruções.

Poderá encontrar outros produtos de sistema aprovados para o seu produto no seu Centro de Assistência **Hilti** ou online, em: www.hilti.com

3.4 Guia de pregos 2

A guia de pregos segura a bucha de material isolante e, durante o processo de fixação, direcciona o elemento de fixação para o local desejado no material base.

3.5 Corrediça para destravamento da guia de pregos

Na posição **EJECT**, a corrediça destrava a guia de pregos para a remoção.

Estado	Significado
EJECT	• Destravamento da guia de pregos

3.6 Gancho de cinto

O gancho de cinto tem três posições de remoção.



Estado	Significado
Posição 1	<ul style="list-style-type: none"> • Posição para engatar no cinto
Posição 2	<ul style="list-style-type: none"> • Posição para engatar em escadas, andaimes, plataformas, etc.
Posição 3	<ul style="list-style-type: none"> • Gancho de cinto removido

3.7 Lata de gás



Observe as normas de segurança fornecidas com a lata de gás!

Para o funcionamento, a lata de gás tem de ser introduzida no compartimento da lata de gás da ferramenta de fixação.

O estado da lata de gás pode ser consultado se premir a tecla **GAS** no visor de LEDs.

Em caso de interrupções do trabalho, antes de trabalhos de manutenção, bem como antes do transporte e armazenamento da ferramenta de fixação, é necessário retirar a lata de gás.

3.8 Indicação do estado da lata de gás

Após premir a tecla **GAS**, o visor de LEDs exhibe o estado da lata de gás.

Estado	Significado
Todos os quatro LEDs acendem a verde.	<ul style="list-style-type: none"> • O nível de enchimento é de 100 % a 75 %.
Três LEDs acendem a verde.	<ul style="list-style-type: none"> • O nível de enchimento é de 75 % a 50 %.
Dois LEDs acendem a verde.	<ul style="list-style-type: none"> • O nível de enchimento é de 50 % a 25 %.
Um LED acende a verde.	<ul style="list-style-type: none"> • O nível de enchimento é de 25 % a 10 %.
Um LED pisca a verde.	<ul style="list-style-type: none"> • O nível de enchimento é inferior a 10 %. • Recomenda-se a substituição da lata de gás. • A lata de gás está vazia ou não funciona. • Recomenda-se a substituição da lata de gás. <p>Mesmo quando é exibido o nível de enchimento "vazio", a lata de gás contém, por motivos técnicos, ainda algum gás.</p>
Um LED pisca a vermelho.	<ul style="list-style-type: none"> • Não existe nenhuma ou está inserida uma lata de gás errada na ferramenta de fixação.

3.9 Indicação do estado da carga da bateria

Quando é premido o botão de destravamento da bateria, o ecrã mostra o estado da bateria e da ferramenta de fixação.

Estado	Significado
Todos os quatro LEDs acendem a verde.	<ul style="list-style-type: none"> • O estado da carga é de 75 % a 100 %.
Três LEDs acendem a verde.	<ul style="list-style-type: none"> • O estado da carga é de 50 % a 75 %.
Dois LEDs acendem a verde.	<ul style="list-style-type: none"> • O estado da carga é de 25 % a 50 %.
Um LED acende a verde.	<ul style="list-style-type: none"> • O estado da carga é de 10 % a 25 %.
Um LED pisca a verde.	<ul style="list-style-type: none"> • O estado da carga é inferior a 10 %. • A ferramenta de fixação está sobrecarregada ou sobreaquecida e, por isso, não operacional.

4 Características técnicas

4.1 Ferramenta de fixação

Peso (vazio) GX 2-IE	3,3 kg (7,3 lb)
Peso (vazio) GX 2-IE-XL	3,4 kg (7,5 lb)
Comprimento da ferramenta para GX 2-IE	500 mm (19,7 in)
Comprimento da ferramenta para GX 2-IE-XL	550 mm (21,7 in)
Temperatura operacional, temperatura ambiente	-10 °C ... 45 °C (14 °F ... 113 °F)
Comprimento máximo de elementos de fixação	39 mm (1,5 in)
Comprimento máximo de elementos de fixação para GX 2-IE-XL	200 mm (7,9 in)
Diâmetro de elementos de fixação	<ul style="list-style-type: none"> • 60 mm (2,4 in) • 3,90 mm (0,154 in)
Movimento de contacto	20 mm (0,8 in)
Frequência máxima de fixação (Elementos de fixação/h)	800

5 Carregamento da ferramenta de fixação

5.1 Estado de preparação para a fixação de elementos de fixação

Os elementos de fixação são alimentados, empurrando-os manualmente sobre a guia de pregos.

5.2 Colocar a lata de gás

1. Caso insira uma nova lata de gás, remova o bloqueio de transporte.
2. Abra a tampa do compartimento da lata de gás.
3. Introduza a lata de gás com a válvula doseadora aplicada no adaptador vermelho no compartimento da lata de gás.
4. Feche a tampa do compartimento da lata de gás.

5.3 Encaixar a bateria

1. Certifique-se de que os contactos da bateria e ferramenta de fixação estão livres de corpos estranhos e não apresentam danos.
2. Insira a bateria e deixe-a encaixar de forma audível.
 - ◀ Quando a bateria está encaixada, os LEDs para o estado da carga acendem por breves momentos.

CUIDADO

Perigo devido a bateria mal encaixada. A bateria pode cair durante os trabalhos se não estiver correctamente travada.

- ▶ Verifique se a bateria está correctamente encaixada.
-
3. Verifique se a bateria está correctamente encaixada na ferramenta de fixação.



6 Aplicar os elementos de fixação

AVISO

Perigo de ferimentos devido a accionamento acidental! Uma fixação descontrolada pode dar origem a ferimentos graves

- ▶ Nunca pressione a ferramenta de fixação contra a sua mão ou uma outra parte do corpo.
 - ▶ Nunca puxe o carregador, a guia de pregos ou os elementos de fixação manualmente para trás.
-
1. Penetre o material isolante com o elemento de fixação que se encontra na guia de pregos.
 2. Pressione a ferramenta de fixação contra o material base, até ao encosto.
 3. Certifique-se de que a guia de pregos está posicionada perpendicularmente ao material base e que apoia sobre o isolamento.
 4. Prima o disparador para a fixação.



Não é possível fixar, se a ferramenta de fixação e o elemento de fixação não estiverem pressionados contra o material base, até encostarem.

5. Após a fixação, levante completamente a ferramenta de fixação do material base.
6. No final do trabalho ou se deixar a ferramenta de fixação sem qualquer supervisão, retire a lata de gás (→ Página 29) e a bateria ().

7 Descarga da ferramenta de fixação

7.1 Retirar a bateria

- ▶ Pressione o botão de destravamento e puxe a bateria para fora da ferramenta de fixação.

7.2 Retirar a lata de gás

1. Abra o compartimento da lata de gás.
2. Retire a lata de gás.
3. Feche o compartimento da lata de gás.

8 Passos de operação opcionais

8.1 Remoção do bloqueio de transporte de uma nova lata de gás

1. Eleve o bloqueio de transporte, com a válvula doseadora nele contida, para fora da lata de gás.
2. Retire a válvula doseadora do bloqueio de transporte.
3. Insira a válvula doseadora, com a mais dianteira das duas ranhuras, no rebordo da lata de gás.
4. Pressione a válvula doseadora, com a ranhura traseira, com força contra o rebordo da lata de gás até a ranhura engatar audivelmente no rebordo da lata de gás e a válvula doseadora encostar.

8.2 Verificar o estado da lata de gás

1. Com a bateria encaixada, sem pressionar a ferramenta de fixação, prima a tecla **GAS**.
2. Consulte o estado da lata de gás.

8.3 Retirar a guia de pregos

1. Retire a bateria.
2. Retire a lata de gás.
3. Coloque o cursor para o destravamento da guia de pregos na posição **EJECT**.
4. Retire a guia de pregos.

8.4 Colocar a guia de pregos

1. Retire a lata de gás.
2. Retire a bateria.



- Pressione o cursor para o destravamento da guia de pregos no sentido da seta, para a posição **EJECT** e mantenha-o nesta posição.



Só é possível inserir a guia de pregos se for mantida a posição **EJECT**.

- Insira a guia de pregos até engatar audivelmente na fenda da ponta da ferramenta de fixação.
- Verifique o posicionamento da guia de pregos.

9 Resolução de avarias

9.1 Remoção de corpos estranhos da área da guia de pregos

- Retire a bateria.
- Retire a lata de gás.
- Retire a guia de pregos.
- Remova todos os corpos estranhos da área da guia de pregos.
- Coloque a guia de pregos.

10 Conservação e manutenção

10.1 Conservação da ferramenta de fixação

- ▶ Limpe regularmente a ferramenta de fixação com um pano.
- ▶ Mantenha os punhos limpos de óleo e gordura.
- ▶ Não utilize pulverizadores, aparelhos de jacto de vapor ou água corrente para limpar.
- ▶ Não utilize produtos de limpeza que contenham silicone.
- ▶ Não utilize sprays nem lubrificantes e produtos de limpeza similares.
- ▶ As saídas de ar da ferramenta de fixação devem estar sempre limpas e desobstruídas.

10.2 Limpeza da ferramenta de fixação



É necessário efectuar regularmente a manutenção e limpeza da ferramenta de fixação. Recomendamos um serviço de limpeza, o mais tardar, após 25 000 fixações.

- ▶ Limpe ou mande limpar a ferramenta de fixação se ocorrerem repetidamente anomalias, como, por ex., falhas de ignição.
- ▶ Para a limpeza utilize o kit de limpeza disponível como acessório e observe as instruções de limpeza ilustradas, fornecidas juntamente com o kit de limpeza.

10.3 Manutenção

- ▶ Para um funcionamento seguro, utilize apenas peças sobresselentes e consumíveis originais. Poderá encontrar as peças sobresselentes, consumíveis e acessórios aprovados por nós para o seu produto no seu Centro de Assistência **Hilti** ou em: www.hilti.group.
- ▶ Verifique, regularmente, todos os componentes da ferramenta de fixação e garanta que todos os comandos operativos funcionam perfeitamente.
- ▶ Não ligue a ferramenta de fixação se constatar danos, se estiver incompleta ou se houver comandos operativos inoperacionais.
- ▶ Mande reparar uma ferramenta de fixação defeituosa num Centro de Assistência Técnica **Hilti**.

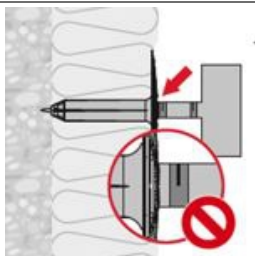
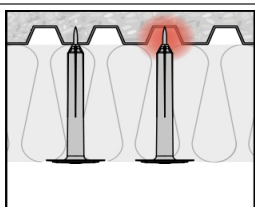
10.4 Verificação do aparelho após manutenção

- ▶ Após os trabalhos de conservação e manutenção, certifique-se de que a guia de pregos está inserida.


11 Ajuda em caso de avarias

No caso de avarias que não sejam mencionadas nesta tabela ou se não conseguir resolvê-las por si mesmo, contacte o nosso Centro de Assistência Técnica **Hilti**.



Avaria	Causa possível	Solução
Conteúdo da lata de gás não é suficiente para a unidade de embalagem dos elementos de fixação.	Maior consumo de gás devido a pressionamento demasiado frequente contra material base realizar fixação.	<ul style="list-style-type: none"> ▶ Evite pressionar a ferramenta contra material base sem realizar fixação.
Guia de pregos não se deslocou totalmente para fora após a fixação.	Corpos estranhos ou lixo ficaram entalados na guia de pregos.	<ul style="list-style-type: none"> ▶ Retire a guia de pregos. ▶ Limpe a guia de pregos. ▶ Remova corpos estranhos da área da guia de pregos.
	A guia de pregos encontra-se desgastada.	<ul style="list-style-type: none"> ▶ Substitua a guia de pregos.
Ferramenta de fixação não fixa.	Bateria descarregada	<ul style="list-style-type: none"> ▶ Substitua a bateria ou carregue a bateria descarregada.
	Lata de gás vazia	<ul style="list-style-type: none"> ▶ Verifique o estado da lata de gás. → Página 29
	LED 1 acende a vermelho	<ul style="list-style-type: none"> ▶ Verifique o estado da lata de gás. → Página 29
	Posição incorrecta do pistão devido a levantamento demasiado precoce após a fixação	<ul style="list-style-type: none"> ▶ Deixe a ferramenta de fixação durante mais tempo pressionada contra o material base.
	Posição incorrecta do pistão devido a sujidade	<ul style="list-style-type: none"> ▶ Limpe a ferramenta de fixação.
	Corpos estranhos na zona da guia de pregos	<ul style="list-style-type: none"> ▶ Remova corpos estranhos da área da guia de pregos.
	Avaria do sist. electrónico	<ul style="list-style-type: none"> ▶ Retirar a lata de gás e colocá-la novamente. Caso o problema persista, colocar uma nova lata de gás. ▶ Retire a bateria e volte a inseri-la.
 <p>O elemento de fixação não penetra o suficiente no material base.</p>	Sistema não adequado. Material base é demasiado duro	<ul style="list-style-type: none"> ▶ Mude para um sistema DX da Hilti.
		Energia de accionamento insuficiente.
 <p>A superfície do material base é demasiado irregular.</p>	A superfície do material base é demasiado irregular.	<ul style="list-style-type: none"> ▶ Mude para um sistema DX da Hilti.

12 Reciclagem

 As ferramentas **Hilti** são, em grande parte, fabricadas com materiais recicláveis. Um pré-requisito para a reciclagem é que esses materiais sejam devidamente separados. Em muitos países, a **Hilti** aceita a sua ferramenta usada para reutilização. Para mais informações dirija-se ao Serviço de Clientes **Hilti** ou ao seu vendedor.



- ▶ Não deite as ferramentas eléctricas, aparelhos electrónicos e baterias no lixo doméstico!
-

13 Garantia do fabricante

- ▶ Em caso de dúvidas quanto às condições de garantia, contacte o seu parceiro **Hilti** local.

14 Declaração da FCC (válida para os EUA) / Declaração do IC (válida para o Canadá)

Esta ferramenta está de acordo com o parágrafo 15 das especificações FCC e RSS-210 do IC. A utilização está sujeita às duas seguintes condições:

1. Esta ferramenta não deve produzir interferência prejudicial.
2. A ferramenta tem de aceitar qualquer interferência, incluindo interferências que podem causar funcionamentos indesejados.



1 Información sobre la documentación

1.1 Acerca de esta documentación

- Lea detenidamente esta documentación antes de la puesta en servicio. Ello es imprescindible para un trabajo seguro y un manejo sin problemas.
- Respete las indicaciones de seguridad y las advertencias presentes en esta documentación y en el producto.
- Conserve este manual de instrucciones siempre junto con el producto y entregue el producto a otras personas siempre acompañado del manual.

1.2 Explicación de símbolos

1.2.1 Avisos

Las advertencias de seguridad advierten de peligros derivados del manejo del producto. Se utilizan las siguientes palabras de peligro:

PELIGRO

PELIGRO !

- ▶ Término utilizado para un peligro inminente que puede ocasionar lesiones graves o incluso la muerte.

ADVERTENCIA

ADVERTENCIA !

- ▶ Término utilizado para un posible peligro que puede ocasionar lesiones graves o incluso la muerte.





PRECAUCIÓN

PRECAUCIÓN !

- ▶ Término utilizado para una posible situación peligrosa que puede ocasionar lesiones leves o daños materiales.






1.2.2 Símbolos en la documentación

En esta documentación se utilizan los siguientes símbolos:

	Leer el manual de instrucciones antes del uso
	Indicaciones de uso y demás información de interés
	Manejo con materiales reutilizables
	No tirar las herramientas eléctricas y las baterías junto con los desperdicios domésticos

1.2.3 Símbolos en las figuras

En las figuras se utilizan los siguientes símbolos:

	Estos números hacen referencia a la figura correspondiente incluida al principio de este manual
	La numeración describe el orden de los pasos de trabajo en la imagen y puede ser diferente de los pasos descritos en el texto
	Los números de posición se utilizan en la figura Vista general y los números de la leyenda están explicados en el apartado Vista general del producto
	Preste especial atención a este símbolo cuando utilice el producto.
	Transferencia de datos inalámbrica

1.3 Símbolos de productos

1.3.1 Símbolos en el producto

En el producto se utilizan los siguientes símbolos:

	Señales prescriptivas generales
	Utilizar protección para los ojos
	Utilizar protección para los oídos
	Utilizar casco de protección
	Reciclar los materiales usados

1.3.2 Resultado de denominaciones e inscripciones

Las denominaciones e inscripciones se resaltan de la forma siguiente:

, '	Denominación de los elementos de manejo con inscripción en la fijadora.
« »	Inscripciones en la fijadora

1.4 Información del producto

Los productos Hilti han sido diseñados para usuarios profesionales y solo deben ser manejados, conservados y reparados por personal autorizado y debidamente formado. Este personal debe estar especialmente instruido en lo referente a los riesgos de uso. La utilización del producto y sus dispositivos auxiliares puede conllevar riesgos para el usuario en caso de manejarse de forma inadecuada por personal no cualificado o utilizarse para usos diferentes a los que están destinados.

- ▶ Anote en la siguiente tabla la denominación y el número de serie que figuran en la placa de identificación.
- ▶ Mencione estos datos siempre que realice alguna consulta acerca del producto a nuestros representantes o al Departamento de Servicio Técnico.

Datos del producto

Fijadora, accionada por gas	GX-IE GX-IE XL
Generación:	01
Número de serie:	

1.5 Declaración de conformidad

Bajo nuestra exclusiva responsabilidad, declaramos que el producto aquí descrito cumple con las directivas y normas vigentes. Encontrará una reproducción del organismo certificador al final de esta documentación. La documentación técnica se encuentra depositada aquí:

Hilti Entwicklungsgesellschaft mbH | Zulassung Geräte | Hiltistraße 6 | 86916 Kaufering, DE

2 Seguridad

2.1 Indicaciones de seguridad

Estas indicaciones de seguridad aplican a herramientas con y sin cargador.

Trabajo seguro con la fijadora

- ▶ Al presionar la fijadora sobre alguna parte del cuerpo podría dispararse accidentalmente una fijación y provocar lesiones graves. **No presione nunca la fijadora contra su mano u otra parte del cuerpo.**
- ▶ Al encajar fijadores de aplicación específica en el guía clavos (por ejemplo, arandelas, abrazaderas, pinzas, etc.) podría dispararse accidentalmente una fijación y provocar lesiones graves. **No presione nunca con la mano o con cualquier otra parte del cuerpo contra el guía clavos para encajar fijadores de aplicación específica.**
- ▶ **No dirija la fijadora hacia usted o hacia otras personas.**
- ▶ **Mantenga siempre los brazos ligeramente doblados (nunca estirados) al accionar la fijadora.**

- ▶ Compruebe que la guía deslizante de clavos encaje correctamente al tirar de ella hacia atrás.
- ▶ **No deje que la guía deslizante de clavos salga disparada al soltar el seguro de retención, sino llévela hacia delante con la mano.** Podría magullarse los dedos.
- ▶ **No coloque elementos de fijación en superficies de trabajo excesivamente duras,** como puede ser acero soldado o fundido. La fijación en estos materiales puede dar lugar a anclajes incorrectos y a la rotura de los elementos de fijación.
- ▶ **No coloque elementos de fijación en superficies de trabajo excesivamente blandas,** como pueden ser madera o yeso encartonado. La fijación en estos materiales puede dar lugar a anclajes incorrectos y agujerear la superficie de trabajo.
- ▶ **No coloque elementos de fijación en superficies de trabajo excesivamente frágiles,** como pueden ser vidrio o azulejos. La fijación en estos materiales puede dar lugar a anclajes incorrectos y astillar la superficie de trabajo.
- ▶ Antes de realizar la fijación, asegúrese de que no existe riesgo de lesionar a nadie ni de dañar ningún objeto en la parte posterior de la superficie de trabajo.
- ▶ Accione el disparador solo cuando la fijadora esté presionada contra la superficie de trabajo de forma que el guía clavos se introduzca hasta el tope en la fijadora.
- ▶ **Es imprescindible que utilice guantes de protección siempre que realice trabajos de mantenimiento en la fijadora caliente.**
- ▶ Si se mantiene una frecuencia de fijación elevada durante un largo intervalo de tiempo, la superficie exterior de la empuñadura puede calentarse. Utilice guantes de protección para evitar quemaduras.
- ▶ Si la fijadora se sobrecalienta, retire la carga de gas y deje que la fijadora se enfríe. No supere la frecuencia de disparo máxima.
- ▶ Durante el proceso de fijación puede desprenderse material o la tira del cargador puede salir disparada. El material desprendido puede ocasionar lesiones corporales y en los ojos. **Utilice protección para los ojos, protección para los oídos y casco de protección.** El riesgo de lesiones se reduce considerablemente si, según el tipo y la aplicación de la fijadora empleada, se utiliza un equipo de seguridad personal adecuado, como mascarilla antipolvo, zapatos de seguridad con suela antideslizante, casco de protección o protección para los oídos. También las personas que se encuentren alrededor deben llevar protección para los ojos y casco.
- ▶ Utilice una protección adecuada para los oídos (véase la información sobre la emisión de ruidos en los datos técnicos). El disparo de los elementos de fijación se produce mediante la ignición de una mezcla de gas y aire. La carga acústica que se genera puede dañar el oído. También las personas que se encuentren alrededor deben llevar una protección adecuada para los oídos.
- ▶ Al realizar una fijación, mantenga siempre la fijadora sujeta en ángulo recto respecto a la superficie de trabajo. De esta forma se evita la desviación del elemento de fijación respecto a la superficie de trabajo.
- ▶ No coloque nunca un segundo elemento de fijación en el mismo punto. Podría provocar roturas y el atascamiento de los elementos de fijación.
- ▶ Retire siempre la carga de gas y la batería, y vacíe el cargador antes de cambiar el cargador o de efectuar trabajos de limpieza, reparación o mantenimiento, así como antes de almacenar y transportar la fijadora, o cuando la deje sin vigilancia.
- ▶ Compruebe que la fijadora y los accesorios no presentan daños a fin de garantizar un funcionamiento correcto y de acuerdo con las prescripciones correspondientes. Compruebe que los componentes móviles funcionen correctamente y no estén atascados, y que las piezas no estén dañadas. Para garantizar un funcionamiento adecuado de la herramienta, las piezas deben estar correctamente montadas y cumplir todas las condiciones necesarias. Los dispositivos de seguridad y las piezas dañadas deben repararse o sustituirse de forma pertinente en el Servicio Técnico de **Hilti**, si no se especifica lo contrario en el manual de instrucciones.
- ▶ Solicite que un profesional cualificado lleve a cabo la reparación de la fijadora y que utilice exclusivamente piezas de repuesto originales. Solamente así se garantiza la seguridad de la fijadora.
- ▶ No está permitido efectuar manipulaciones o modificaciones en la fijadora.
- ▶ **No utilice la fijadora en lugares donde existe peligro de incendio o explosión.**
- ▶ Tenga en cuenta las condiciones ambientales. No exponga la fijadora a las precipitaciones ni la utilice en un entorno húmedo o mojado.
- ▶ Utilice la fijadora únicamente en zonas de trabajo bien ventiladas.
- ▶ Elija la combinación adecuada de guía clavos y elemento de fijación. Una combinación errónea puede dañar la fijadora o mermar la calidad de la fijación.
- ▶ Tenga en cuenta en todo momento las directrices de aplicación.

Riesgos por corriente eléctrica

- ▶ **Compruebe antes de empezar a trabajar si la zona de trabajo oculta cables eléctricos, tuberías de gas o cañerías de agua, por ejemplo, con un detector de metales.**



- ▶ Sujete la fijadora únicamente por la empuñadura aislada cuando realice trabajos en los que la herramienta puede entrar en contacto con cables eléctricos ocultos. El contacto de la fijadora con cables conductores puede traspasar la conductividad a las partes metálicas de la herramienta y provocar descargas eléctricas.

Manipulación y utilización segura de las herramientas alimentadas por batería

- ▶ **Antes de insertar la batería, asegúrese de que la herramienta está desconectada.** La inserción de la batería en una herramienta eléctrica conectada puede causar accidentes.
- ▶ **Mantenga las baterías alejadas de altas temperaturas, radiación solar directa y fuego.** Existe peligro de explosión.
- ▶ **Las baterías no se deben destruir, comprimir, calentar por encima de 80 °C o quemar.** En caso contrario existe peligro de abrasión, incendio y explosión.
- ▶ **Evite la penetración de humedad.** La humedad puede provocar un cortocircuito y, como consecuencia, quemaduras o incendios.
- ▶ **Utilice exclusivamente las baterías permitidas para la herramienta en cuestión.** Si se utilizan otras baterías o si estas se utilizan para otros fines, existe peligro de incendio y explosión.
- ▶ **Tenga en cuenta las directivas especiales en materia de transporte, almacenamiento y manejo de las baterías de Ion-Litio.**
- ▶ **Extraiga la batería de la herramienta antes de almacenarla o transportarla.**
- ▶ **Evite que se produzcan cortocircuitos en la batería. Antes de insertar la batería en la herramienta, asegúrese de que los contactos de la batería y los de la herramienta estén libres de cuerpos extraños.** Si se produce un cortocircuito en los contactos de la batería, existe peligro de causticación, incendio y explosión.
- ▶ **Las baterías dañadas (p. ej., baterías con grietas, piezas rotas o contactos doblados, metidos hacia dentro o extraídos) no deben cargarse ni seguir utilizándose.**
- ▶ Una batería que se calienta como para no poder tocarla, posiblemente esté defectuosa. Deje la batería en un lugar sin riesgo de incendio hasta que se enfríe. Asegúrese de que no hay ningún material inflamable cerca de la batería. Póngase en contacto con el Servicio Técnico de Hilti.

Indicaciones sobre la manipulación del gas empleado

- ▶ Observe las indicaciones que se dan en la carga de gas y en la información adjunta.
- ▶ El gas liberado es perjudicial para los pulmones, la piel y los ojos. Mantenga la cara y los ojos alejados del alojamiento de la carga de gas hasta unos 10 s después de extraer la carga de gas.
- ▶ No accione manualmente la válvula de la carga de gas.
- ▶ Si una persona ha inhalado gas, llévela al aire libre o a una habitación bien ventilada y colóquela en una posición cómoda. En caso necesario, consulte a un médico.
- ▶ **Si la persona pierde el conocimiento, consulte a un médico.** Lleve a la persona a una habitación bien ventilada y colóquela en posición lateral estable. Si el afectado no respira, debe practicarle la respiración artificial y aplicarle oxígeno en caso necesario.
- ▶ En caso de contacto con los ojos, aclare los ojos abiertos con abundante agua durante varios minutos.
- ▶ En caso de contacto cutáneo, lave cuidadosamente con jabón y agua caliente la superficie de la piel que ha entrado en contacto. Aplique posteriormente una crema de protección cutánea.

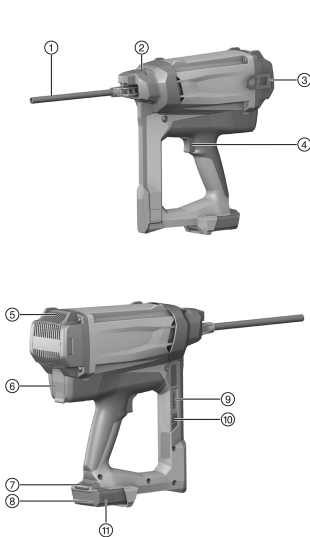
Indicaciones generales sobre seguridad personal

- ▶ Procure adoptar una postura ergonómica. Procure que la postura sea estable y manténgase siempre en equilibrio. De esta forma podrá controlar mejor la fijadora en caso de presentarse una situación inesperada.
- ▶ Mientras se está trabajando, mantenga alejadas del radio de acción de la herramienta a otras personas, especialmente a los niños.



3 Descripción

3.1 Vista general del producto 1



- ① Guía clavos
- ② Corredera para el desbloqueo del guía clavos
- ③ Colgador de cinturón
- ④ Disparador
- ⑤ Rejillas de ventilación
- ⑥ Alojamiento de la carga de gas
- ⑦ Tecla de desbloqueo de la batería
- ⑧ Indicador del estado de carga de la batería
- ⑨ Pulsador para el indicador de la carga de gas
- ⑩ Indicador de la carga de gas
- ⑪ Batería

3.2 Uso conforme a las prescripciones

El producto descrito es una fijadora accionada por gas. Está diseñada para la colocación de elementos de fijación de hormigón y otras superficies de trabajo apropiadas para el montaje directo.

La fijadora, la carga de gas, la batería y los elementos de fijación forman una unidad técnica. Esto significa que solo puede garantizarse una sujeción segura con esta fijadora cuando se utilizan los elementos de fijación, las cargas de gas y las baterías fabricadas especialmente para esta herramienta por **Hilti**. Las recomendaciones de utilización y fijación de **Hilti** son válidas exclusivamente si se cumplen estas condiciones.

La fijadora está indicada solo para una utilización de guiado manual.

- ▶ Para este producto utilice únicamente las baterías de Ion-Litio de **Hilti** de la serie B 12.
- ▶ Para estas baterías utilice exclusivamente los cargadores de **Hilti** de la serie C 4/12-50.

3.3 Suministro

Fijadora accionada por gas con guía clavos, 2 baterías, cargador, maletín, manual de instrucciones.

Encontrará otros productos del sistema autorizados para su producto en su Centro **Hilti** o en internet, en www.hilti.com

3.4 Guía clavos 2

El guía clavos sujeta el taco para material aislante y dirige el elemento de fijación al punto deseado de la superficie de trabajo durante el proceso de fijación.

3.5 Corredera para el desbloqueo del guía clavos

En la posición **EJECT (expulsar)**, la corredera desbloquea el guía clavos para su extracción.

Estado	Significado
EJECT (expulsar)	• Desbloqueo del guía clavos

3.6 Colgador de cinturón

El colgador de cinturón se puede extender en tres posiciones.

Estado	Significado
Posición 1	<ul style="list-style-type: none"> • Posición para colgar en el cinturón
Posición 2	<ul style="list-style-type: none"> • Posición para colgar en escaleras, andamios, plataformas, etc.
Posición 3	<ul style="list-style-type: none"> • Colgador de cinturón extraído

3.7 Carga de gas

Observe las indicaciones de seguridad adjuntas a la carga de gas.

Para ponerla en servicio, la carga de gas debe estar insertada en el alojamiento de la carga de gas de la fijadora.

El estado de la carga de gas se puede visualizar en la pantalla LED pulsando la tecla **GAS**.

En caso de interrupciones del trabajo, antes de los trabajos de mantenimiento y para el transporte y almacenamiento de la fijadora, es imprescindible extraer la carga de gas.

3.8 Indicador del estado de la carga de gas

Tras pulsar la tecla **GAS**, la pantalla LED muestra el estado de la carga de gas.

Estado	Significado
Los cuatro LED están encendidos en verde.	<ul style="list-style-type: none"> • El nivel de llenado se encuentra entre el 100 % y el 75 %.
Tres LED están encendidos en verde.	<ul style="list-style-type: none"> • El nivel de llenado se encuentra entre el 75 % y el 50 %.
Dos LED están encendidos en verde.	<ul style="list-style-type: none"> • El nivel de llenado se encuentra entre el 50 % y el 25 %.
Un LED está encendido en verde.	<ul style="list-style-type: none"> • El nivel de llenado se encuentra entre el 25 % y el 10 %.
Un LED parpadea en verde.	<ul style="list-style-type: none"> • El nivel de llenado se encuentra por debajo del 10 %. Se recomienda sustituir la carga de gas. • La carga de gas está vacía o no funciona. Se recomienda sustituir la carga de gas. <p>Aunque en el nivel de llenado se indique «vacío», la carga de gas sigue conteniendo, por motivos técnicos, algo de gas.</p>
Un LED parpadea en rojo.	<ul style="list-style-type: none"> • No se ha insertado la carga de gas en la fijadora o la que hay no es adecuada.

3.9 Indicador del estado de carga de la batería

Al accionar la tecla de desbloqueo de la batería, en la pantalla se muestra el estado de la batería y de la fijadora.

Estado	Significado
Los cuatro LED están encendidos en verde.	<ul style="list-style-type: none"> • El estado de carga se encuentra entre el 75 % y el 100 %.
Tres LED están encendidos en verde.	<ul style="list-style-type: none"> • El estado de carga se encuentra entre el 50 % y el 75 %.
Dos LED están encendidos en verde.	<ul style="list-style-type: none"> • El estado de carga se encuentra entre el 25 % y el 50 %.
Un LED está encendido en verde.	<ul style="list-style-type: none"> • El estado de carga se encuentra entre el 10 % y el 25 %.
Un LED parpadea en verde.	<ul style="list-style-type: none"> • El estado de carga se encuentra por debajo del 10 %. • La fijadora está sobrecargada o sobrecalentada y, por tanto, no está lista para funcionar.



4 Datos técnicos

4.1 Fijadora

Peso (vacío) GX 2-IE	3,3 kg (7,3 lb)
Peso (vacío) GX 2-IE-XL	3,4 kg (7,5 lb)
Longitud de la herramienta para GX 2-IE	500 mm (19,7 in)
Longitud de la herramienta para GX 2-IE-XL	550 mm (21,7 in)
Temperatura de uso, temperatura ambiente	-10 °C ... 45 °C (14 °F ... 113 °F)
Longitud máxima de los elementos de fijación	39 mm (1,5 in)
Longitud máxima de los elementos de fijación para GX 2-IE-XL	200 mm (7,9 in)
Diámetro de los elementos de fijación	<ul style="list-style-type: none"> • 60 mm (2,4 in) • 3,90 mm (0,154 in)
Recorrido de presión	20 mm (0,8 in)
Frecuencia de fijación máxima (Elementos de fijación/h)	800

5 Carga de la fijadora

5.1 Equipamiento para la colocación de elementos de fijación.

Los elementos de fijación se introducen en el guía clavos de forma manual.

5.2 Introducción de la carga de gas

1. Si coloca una carga de gas nueva, retire el seguro de transporte.
2. Abra la tapa del alojamiento de la carga de gas.
3. Introduzca la carga de gas con la válvula dosificadora montada en el adaptador rojo situado en el alojamiento de la carga de gas.
4. Cierre la tapa del alojamiento de la carga de gas.

5.3 Colocación de la batería

1. Antes de insertar la batería, asegúrese de que los contactos de la batería y los de la fijadora estén libres de cuerpos extraños y no presenten ningún daño.
2. Introduzca la batería hasta oír cómo encaja.
 - ◀ Una vez insertada la batería se encienden brevemente los LED del estado de carga.

PRECAUCIÓN

Peligro por la caída de la batería. Si la batería no está correctamente enclavada, podría desprenderse durante el trabajo con la herramienta.

- ▶ Compruebe que la batería está bien colocada.
-
3. Compruebe que la batería está bien colocada en la fijadora.

6 Colocación de los elementos de fijación

ADVERTENCIA

Riesgo de lesiones por accionamiento accidental. Una fijación descontrolada puede provocar lesiones graves.

- ▶ No presione nunca la fijadora contra su mano u otra parte del cuerpo.
 - ▶ Nunca tire el cargador, el guía clavos o los elementos de fijación hacia atrás con la mano.
1. Atraviese el material aislante con el elemento de fijación que se encuentra en el guía clavos.
 2. Presione la fijadora hasta el tope contra la superficie de trabajo.
 3. Tenga en cuenta que el guía clavos debe estar colocado en ángulo recto respecto a la superficie de trabajo y estar sobre el material aislante.
 4. Presione el disparador para la fijación.



No será posible accionar la fijación si la fijadora y el elemento de fijación no están presionados hasta el tope contra la superficie de trabajo.

5. Después de la fijación, levante completamente la fijadora de la superficie de trabajo.
6. Al finalizar el trabajo o siempre que la fijadora no esté vigilada, retire la carga de gas (→ página 40) y la batería ().

7 Descarga de la fijadora

7.1 Extracción de la batería

- ▶ Presione el botón de desbloqueo y extraiga la batería de la fijadora.

7.2 Extracción de la carga de gas

1. Abra el alojamiento de la carga de gas.
2. Extraiga la carga de gas.
3. Cierre el alojamiento de la carga de gas.

8 Pasos de manejo opcionales

8.1 Retirada del seguro de transporte de una carga de gas nueva

1. Desprenda de la carga de gas el seguro de transporte con la válvula dosificadora incluida.
2. Retire la válvula dosificadora del seguro de transporte.
3. Monte la válvula dosificadora colocando la ranura delantera en el labio de la carga de gas.
4. Presione con fuerza la válvula dosificadora por la ranura trasera contra el labio de la carga de gas hasta que la ranura se enclave de forma audible en el labio de la carga de gas y la válvula dosificadora quede bien ajustada.

8.2 Comprobación del estado de la carga de gas

1. Con la batería insertada y sin presionar la fijadora, pulse la tecla **GAS**.
2. Visualice el estado de la carga de gas.

8.3 Extracción del guía clavos

1. Extraiga la batería.
2. Extraiga la carga de gas.
3. Coloque la corredera para el desbloqueo del guía clavos en la posición **EJECT (expulsar)**.
4. Extraiga el guía clavos.

8.4 Colocación del guía clavos

1. Extraiga la carga de gas.
2. Extraiga la batería.



- Presione la corredera para el desbloqueo del guía clavos en la dirección que indica la flecha hasta la posición **EJECT** (expulsar) y manténgala en esa posición.



El guía clavos solo se puede introducir si se mantiene la posición **EJECT** (expulsar).

- Introduzca el guía clavos en la ranura situada en la punta de la fijadora hasta que se enclave de forma audible.
- Compruebe si el guía clavos está correctamente encajado.

9 Reparación de averías

9.1 Eliminación de cuerpos extraños en la zona del guía clavos

- Extraiga la batería.
- Extraiga la carga de gas.
- Desmonte el guía clavos.
- Retire todos los cuerpos extraños de la zona del guía clavos.
- Introduzca el guía clavos.

10 Cuidado y mantenimiento

10.1 Tratamiento cuidadoso de la fijadora

- ▶ Limpie la fijadora frecuentemente con un paño.
- ▶ Mantenga las superficies de agarre limpias de grasa y aceite.
- ▶ No utilice para su limpieza pulverizadores, aparatos de chorro de vapor ni agua corriente.
- ▶ No utilice ningún producto de limpieza que contenga silicona.
- ▶ No utilice pulverizadores ni otros productos similares de conservación y lubricación.
- ▶ No utilice nunca la fijadora si tiene obstruidas las rejillas de ventilación.

10.2 Limpieza de la fijadora



La fijadora debe revisarse y limpiarse con regularidad. Se recomienda someter la herramienta al servicio de limpieza, como mínimo, cada 25 000 fijaciones aproximadamente.

- ▶ Limpie la fijadora o llévela a limpiar cuando se incrementen las anomalías, como por ejemplo, anomalías de encendido.
- ▶ Utilice para limpiar la herramienta el juego de limpieza disponible como accesorio y tenga en cuenta las instrucciones de limpieza con ilustraciones que se incluyen en el juego de limpieza.

10.3 Mantenimiento

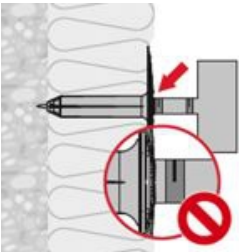
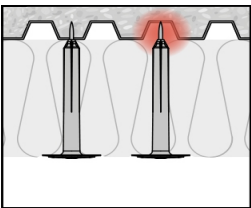
- ▶ Para garantizar un correcto funcionamiento, utilice exclusivamente piezas de repuesto y material de consumo originales. Puede encontrar las piezas de repuesto, el material de consumo y los accesorios que comercializamos en su Centro **Hilti** o en **www.hilti.group**.
- ▶ Compruebe regularmente si las partes exteriores de la fijadora están dañadas y si los elementos de manejo funcionan correctamente.
- ▶ No use la fijadora si alguna de las piezas está dañada o si alguno de los elementos de manejo no funciona correctamente.
- ▶ Encargue la reparación de cualquier avería de la fijadora al Servicio Técnico de **Hilti**.

10.4 Comprobación después de las tareas de cuidado y mantenimiento

- ▶ Tras haber realizado las tareas de cuidado y mantenimiento, asegúrese de que el guía clavos está insertado.


11 Ayuda en caso de averías

Si se producen averías que no están incluidas en esta tabla o que no puede solucionar usted, diríjase a nuestro Servicio Técnico de **Hilti**.

Anomalia	Posible causa	Solución
El contenido de la carga de gas no es suficiente para la unidad de embalaje de elementos de fijación.	Consumo de gas excesivo debido a frecuentes presiones sin disparo.	<ul style="list-style-type: none"> ▶ Evite realizar presiones sin disparo.
El guía clavos no se ha extraído completamente después de una fijación.	En el guía clavos se han atascado partículas o cuerpos extraños.	<ul style="list-style-type: none"> ▶ Desmonte el guía clavos. ▶ Limpie el guía clavos. ▶ Retire posibles cuerpos extraños en la zona del guía clavos.
	El guía clavos está desgastado.	<ul style="list-style-type: none"> ▶ Sustituya el guía clavos.
La fijadora no fija.	La batería está descargada.	<ul style="list-style-type: none"> ▶ Cambie la batería o cargue la que se encuentra descargada.
	La carga de gas está vacía.	<ul style="list-style-type: none"> ▶ Compruebe el estado de la carga de gas. → página 40
	El LED 1 está encendido en rojo.	<ul style="list-style-type: none"> ▶ Compruebe el estado de la carga de gas. → página 40
	Estado incorrecto del pistón debido a una retirada rápida de la herramienta tras el disparo.	<ul style="list-style-type: none"> ▶ Deje la fijadora presionada durante más tiempo.
	Estado incorrecto del pistón debido a suciedad.	<ul style="list-style-type: none"> ▶ Limpie la fijadora.
	Cuerpos extraños en la zona del guía clavos.	<ul style="list-style-type: none"> ▶ Retire posibles cuerpos extraños en la zona del guía clavos.
	Error electrónico.	<ul style="list-style-type: none"> ▶ Retire la carga de gas y vuelva a insertarla. Si el problema persiste, inserte una carga de gas nueva. ▶ Extraiga la batería y vuelva a introducirla.
 <p>El elemento de fijación no se inserta en la superficie de trabajo a una profundidad suficiente.</p>	Sistema inadecuado. La superficie de trabajo es demasiado dura.	<ul style="list-style-type: none"> ▶ Cambie a un Sistema DX de Hilti.
	La energía de funcionamiento es insuficiente.	<ul style="list-style-type: none"> ▶ Compruebe el funcionamiento de la herramienta. Póngase en contacto con el Servicio Técnico de Hilti.
 <p>La superficie de trabajo es demasiado desigual.</p>	La superficie de trabajo es demasiado desigual.	<ul style="list-style-type: none"> ▶ Cambie a un Sistema DX de Hilti.



12 Reciclaje

Las herramientas  Hilti están fabricadas en su mayor parte con materiales reutilizables. La condición para dicha reutilización es una separación adecuada de los materiales. En muchos países, Hilti recoge las herramientas usadas para su recuperación. Pregunte en el Servicio de Atención al Cliente de Hilti o a su asesor de ventas.



- ▶ No deseche las herramientas eléctricas, los aparatos eléctricos ni las baterías junto con los residuos domésticos.
-

13 Garantía del fabricante

- ▶ Si tiene alguna consulta acerca de las condiciones de la garantía, póngase en contacto con su sucursal local de Hilti.

14 Declaración FCC (válida para los EE. UU.)/declaración IC (válida para Canadá)

Esta herramienta está sujeta al artículo 15 de las disposiciones FCC y al RSS-210 de la indicación IC. La puesta en servicio está sujeta a las dos condiciones siguientes:

1. Esta herramienta no debe generar ninguna radiación nociva para la salud.
2. La herramienta debe absorber cualquier tipo de radiación, incluso las provocadas por operaciones no deseadas.





This Product is Certified
Ce produit est homologué
Producto homologado por
Este producto está registrado





Hilti Corporation
LI-9494 Schaan
Tel.: +423 234 21 11
Fax: +423 234 29 65
www.hilti.group



2164701



Hilti Connect



2208858