

2.4GHz Wireless Optical Mouse

DC140-210 & RX22_6N USER'S MANUAL

Important Ergonomic Information

Some experts believe that using any mouse or trackball may cause serious injury to hands, wrists, arms, neck, or back. If you feel pain, numbness, or weakness in these areas, see a qualified health professional.

TO REDUCE THE RISK OF INJURY, FOLLOW THESE PRECAUTIONS:

- Take frequent breaks, get up and walk around several times every hour.
- Vary your tasks throughout the day.
- Keep your shoulders relaxed with your elbows at your side. Position your keyboard and mouse so you do not have to reach.
- Adjust your chair and keyboard so your upper arms and wrists are straight.
- Avoid resting your wrists on sharp edges.

System Requirement

- Mouse compatible with standard Microsoft OS
- 3rd button and wheel function require Win98/ ME/ 2000/ XP/ Vista
- If your computer's operating system is Windows 98/ 98SE, please prepare the Windows98 or 98SE compact disk for system's request during the installation of mouse.

Before you begin

- Keep this installation guide for future reference! It contains Important Troubleshooting Information.
- Keep your old PS/2 or USB mouse as back-up devices.

Getting Started

Congratulations on your purchase of the DC140 Wireless Optical Mouse. The DC140 mouse combines state of the art design with usability. Instead of using your hand and wrist, your arm will let the optical DC140 mouse float without any effort. The DC140 mouse fits like a glove and is available in 170mm, 190mm, and 210mm three sizes to match the needs of all kinds of users, so there is a DC140 for everyone.

By using the advanced RF technology a 360° operation is possible and no line-of-sight

is required between the receiver and the mouse. The DC140 designed a low power indicator on the scroll wheel of the mouse will light to indicate battery low power. With numerous user-friendly functions and the compact and ergonomic design, the RF mouse may offer users the best experience of utilization and the most convenience.

Package Contains

Your DC140 Mouse package includes the following:

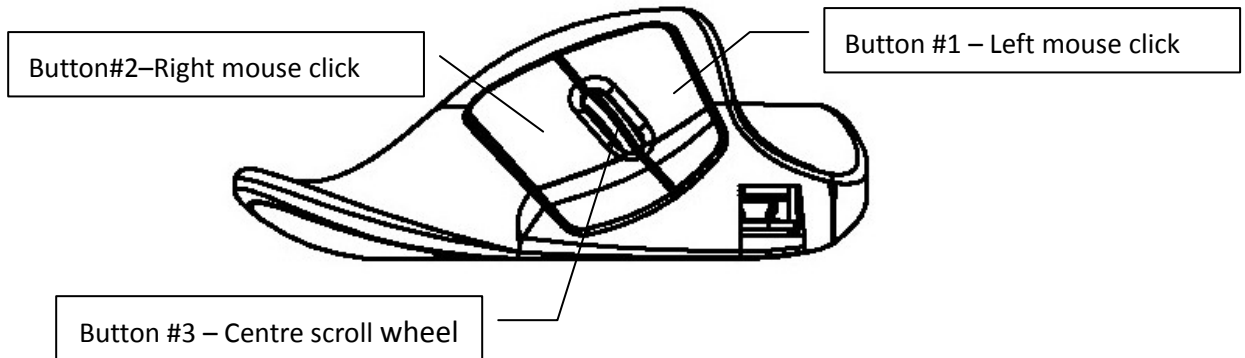
1. The wireless optical mouse
2. USB storable receiver
3. User's manual

Note : If any part is missing, please contact your dealer for a replacement immediately.

Precaution

- ! The optical mouse ***can not*** work on a glass or mirror surface. Avoid operating this mouse on a glossy surface; otherwise, this mouse may not operate normally.
- ! For consideration of saving battery power, it is strongly recommended to operate an optical mouse on a bright surface with fine texture to obtain lower power consumption of the high illumination LED. A very dark surface will cause higher power consumption.
- ! For optimal performance, mouse should be no more than 5M away from receiver.
- ! For a better transmission distance, avoid using this device on a metal plate or desktop because a large surface of iron, aluminum, copper and other metal will act as a shield or ground to the RF antenna of the mouse and receiver. Operating on a metal surface may shorten the transmission distance.
- ! If your notebook computer has a metal (contains Al or Mg) case, the metal housing of the LCD panel will isolate partial radiation of the RF signal from the mouse. This could possibly result in reducing the distance of transmission when you operate the mouse right in front of the notebook and when the receiver is connected on the back of the notebook. However, the RF mouse should work properly while you are operating the mouse just beside your desktop computer.

Overview



Hardware Installation Guide (Mouse)

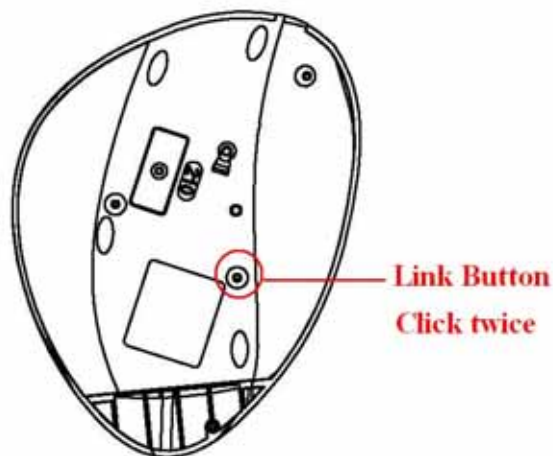
Connect the receiver (RX22_6N) with computer.

Plug in the USB receiver (RX22_6N) to any available USB port or hub connected to your computer. (Windows will now detect the mouse and install the required drivers automatically).

Synchronize the RF Mouse (Pairing)

If the mouse is in sleep mode click the mouse button once to wake it up.

1. Power on the mouse.
2. Bring the mouse within 1 ft range from the receiver.
3. Hold the mouse upside-down and use a pointed object, such as a pen tip, to click the CONNECT button (ID button) twice.



CLICK ANY BUTTON, YOUR MOUSE IS NOW READY TO BE USED

Note: * During normal use, please make sure that the mouse is no more than 5M away from the receiver in order to have reliable connection.

Operation Guide

Charge the mouse

This mouse comes with a Li-ion polymer battery, which is not user replaceable. This battery should last the whole life span of the mouse if the mouse is recharged properly. So, users not only can save a lot of money for periodically replacing batteries, but also conserve the environment.

It is recommended to charge the battery to full before you start using the mouse. The required charging time is:

4 hours from a USB extension cord.

The Li-ion polymer battery inside the mouse is well protected both on charge and discharge.

Battery Low Indication

When battery becomes low, battery indicator blue LED on the scroll wheel of the mouse will light. If the mouse is not recharged, and is kept operating for a certain amount of time, the internal protection circuit will shut off the power. At this time, the mouse is not operable.

Users now should charge the mouse immediately.

Operations On Power Saving Mode

In order to conserve battery power, the mouse is designed to reduce power consumption gradually from standby mode to sleep mode, if it is not being used.

Stand by modes: The standby mode is entered immediately upon stopping moving mouse. The optical sensor of the mouse will reduce current consumption gradually.

Sleep mode: When the RF link between the mouse and the receiver is stopped (Ex: host computer is turned off, or the mouse is out of range the mouse goes to sleep mode. In sleep mode, pressing any key can bring the mouse back to work.

GENERAL SPECIFICATIONS

- 3 Buttons Rechargeable Wireless Optical Mouse.
- Precision Optical Sensor
- Long range/ Less interference wireless connection
- Low Power Indicator.

- USB Thumb Size Receiver
- USB to USB Extension Cable for recharge.
- Ergonomic design (universal left and right handed)
- Compatible with USB V1.1 low-speed & USB 2.0 high-speed.

Troubleshooting

Common troubleshooting steps

1. If you feel the mouse does not move smooth as usual, please check the battery indicator on the mouse. If batteries have lost their charge, replace them. Remember do not put the batteries in the wrong direction
2. Un-plug and re-plug the receiver.
3. Install fresh batteries in the mouse
4. Test the device on another USB port or computer
5. Some surfaces may “trick” the sensor, such as reflective surfaces like glass or mirrors. As a result this product will not work on glass or mirror surfaces. The sensor should perform well on all other surfaces.

Electromagnetic Characteristics (EMC)



Tested to comply with FCC standards

For home or office use

This device complies with Part 15 of the FCC Rules. Operation is subject to the following two conditions: (1) This device may not cause harmful interference, and (2) this device must accept any interference received, including interference that may cause undesired operation.

Federal Communication Commission Interference Statement

This equipment has been tested and found to comply with the limits for a Class B digital device, pursuant to Part 15 of the FCC Rules. These limits are designed to provide reasonable protection against harmful interference in a residential installation. This equipment generates uses and can radiate radio frequency energy and, if not installed and used in accordance with the instructions, may cause harmful interference to radio communications. However, there is no guarantee that interference will not occur in a particular installation. If this equipment does cause harmful interference to radio or television reception, which can be determined by turning the equipment off and on, the user is encouraged to try to correct the interference by one of the following measures:

- Reorient or relocate the receiving antenna.
- Increase the separation between the equipment and receiver.
- Connect the equipment into an outlet on a circuit different from that to which the receiver is connected.
- Consult the dealer or an experienced radio/TV technician for help.

This device complies with Part 15 of the FCC Rules. Operation is subject to the following two conditions: (1) This device may not cause harmful interference, and (2) this device must accept any interference received, including interference that may cause undesired operation.

FCC Caution: Any changes or modifications not expressly approved by the party responsible for compliance could void the user's authority to operate this equipment.

IMPORTANT NOTE:

FCC Radiation Exposure Statement:

This equipment complies with FCC radiation exposure limits set forth for an uncontrolled environment. To maintain compliance with FCC RF exposure compliance requirements, please avoid direct contact to the transmitting antenna during transmitting. End users must follow the specific operating instructions for satisfying RF exposure compliance.

This transmitter must not be co-located or operating in conjunction with any other antenna or transmitter.

CE - Type acceptance: EN300 328 FHSS Device