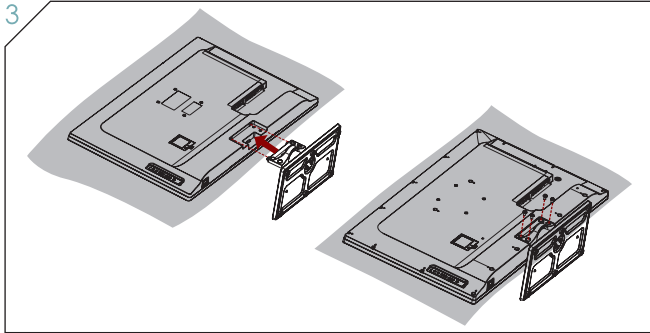


Getting Started



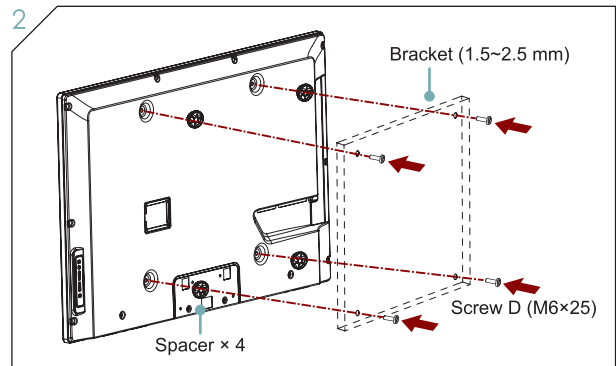
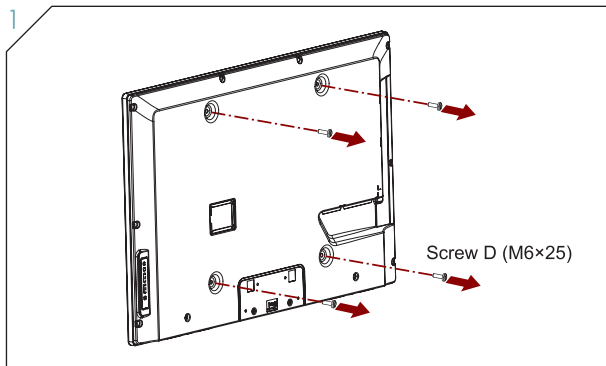
- Please make sure to place a soft cushioned material (such as a pillow or thick piece of foam) beneath the TV screen. Lay the TV down on a flat cushion surface with the back side facing up.
- Insert the stand cover into the slot of TV bottom side and secure the stand to the TV with the four Screws C (M5×12).

NOTES

- FOR ILLUSTRATION ONLY!
- Every hole of the base must be fastened with screws!

Installing a Wall-mount Bracket

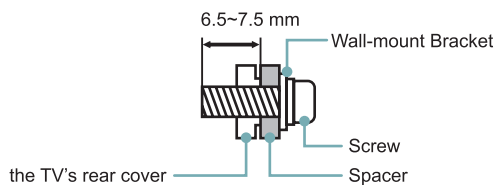
1. If you want to attach the TV to a wall-mount bracket (not provided), you should first remove the stand if it is pre-attached. Make sure the TV is laid face-down on a clean, safe, and cushioned space, remove the original screws in the bracket holes on the TV back over. See Figure 1.
2. Place the provided spacers in the corresponding bracket holes. Attach purchased bracket (1.5~2.5 mm thickness) on the TV with 4 Screws D (M6 × 25) which in accessories bag. See Figure 2.



3. Follow instructions provided with the wall bracket.
 - If you are not sure of your ability to do complete the installation, contact a professional installer or service technician for assistance. The manufacturer is not responsible for any damages or injuries that occur due to mishandling or incorrect assembly.
 - The selected screws are 6.5~7.5 mm in length when measured from the attaching surface of the TV's rear cover. The diameter and length of the screws differ depending on the Wall-Mount Bracket model.

WARNING

Use only the 4 Screws D (M6 × 25) provided with the TV to prevent internal damage to the TV set or cause it to fall.



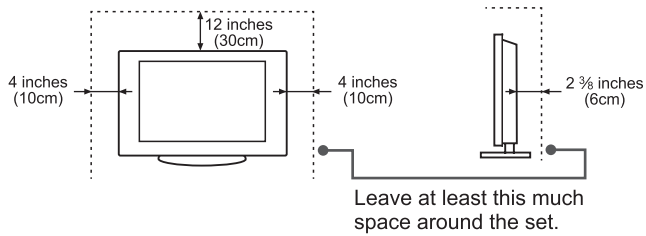
Wall-mount hole pattern VESA (mm)	400 × 400
Wall-mount screw size (mm)	M6

Getting Started

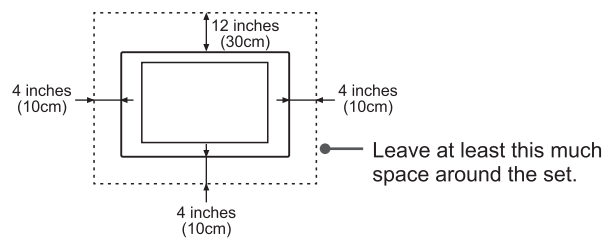
When Installing the TV Against a Wall or Enclosed Area

Make sure that your TV has adequate air circulation. Allow enough space around the TV as shown below. Avoid operating the TV at temperatures below Inadequate air 41°F (5°C).

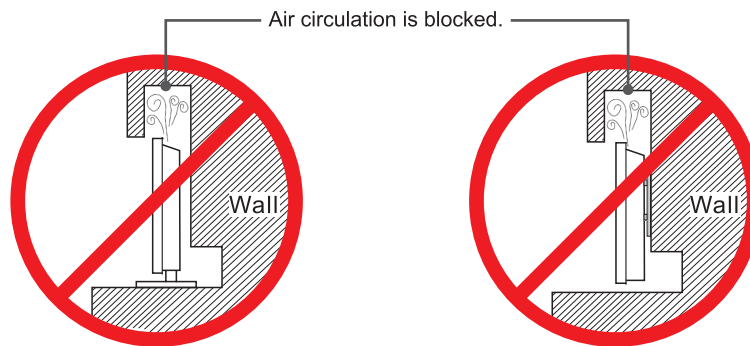
Install with stand



Install on the wall



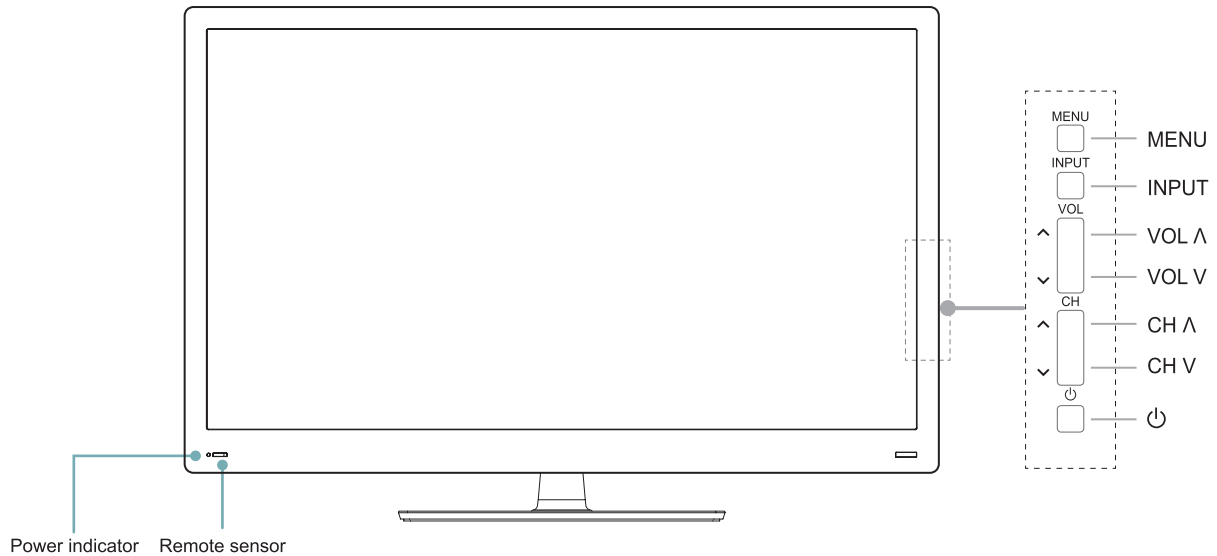
Never install the TV set as follows:




Inadequate air circulation can lead to overheating of the TV and may cause damage to your TV or cause a fire.

Getting Started

Viewing the Control Panel



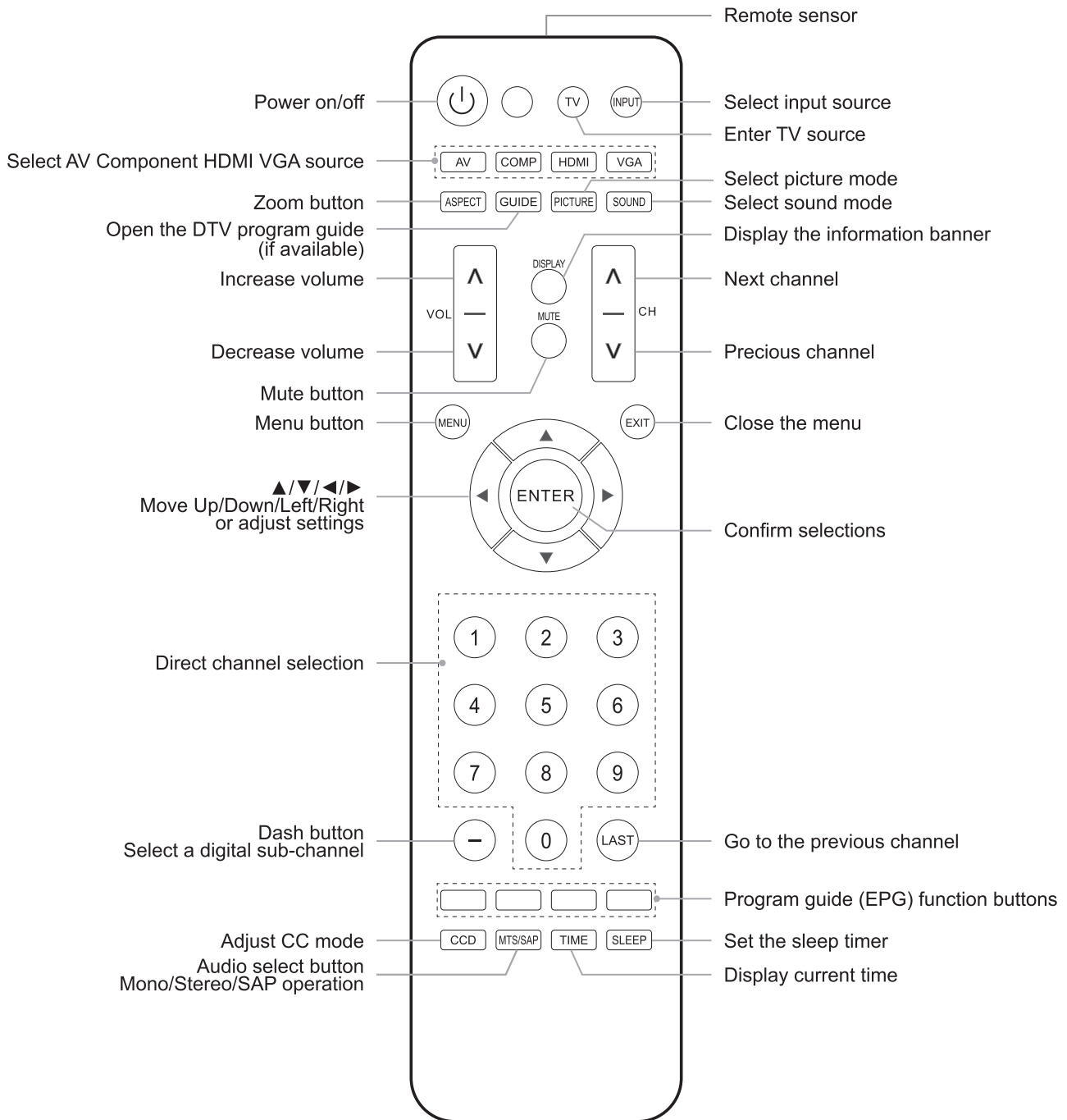
<i>Item</i>	<i>Description</i>
Power indicator	Light up when the power is on.
Remote sensor	Receives remote signals from the remote control. Do not put anything near the sensor, as its function may be affected.
MENU	Display an on-screen menu to setup your TV's features.
INPUT	Select among the different input signal sources.
VOL ^ / V	Adjust the volume.
CH ^ / V	Select the channel.
Power button 	Turn on the TV or put the TV in standby mode. Caution: The TV continues to receive power even in standby mode. Unplug the power cord to disconnect power.

NOTES

- The figures are for reference only, please refer to the actual set.
- As power down and system processing require certain time, do not rapidly turn on/off in continuous way, or otherwise the TV set can be resulted in abnormal operation.

Getting Started

Viewing the Remote Control



NOTES

- Illustrations are for your reference only.
- [RED/GREEN/YELLOW/BLUE] buttons are used for Electronic Program Guide (EPG). After pressing the [GUIDE] button when viewing digital channels, the same color buttons will appear with explanations in the on-screen display (OSD). Follow the steps shown in the OSD.

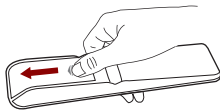
Getting Started

Installing Batteries in the Remote Control

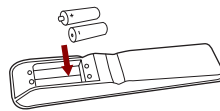
Change the batteries

1. Slide the back cover to open the battery compartment of the remote control.
2. Insert two AAA size batteries. Make sure to match the (+) and (-) ends of the batteries with the (+) and (-) ends indicated in the battery compartment.
3. Close the battery compartment cover.

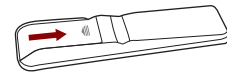
❶ Gently push and slide



❷ Insert the batteries



❸ Gently push and slide



NOTES

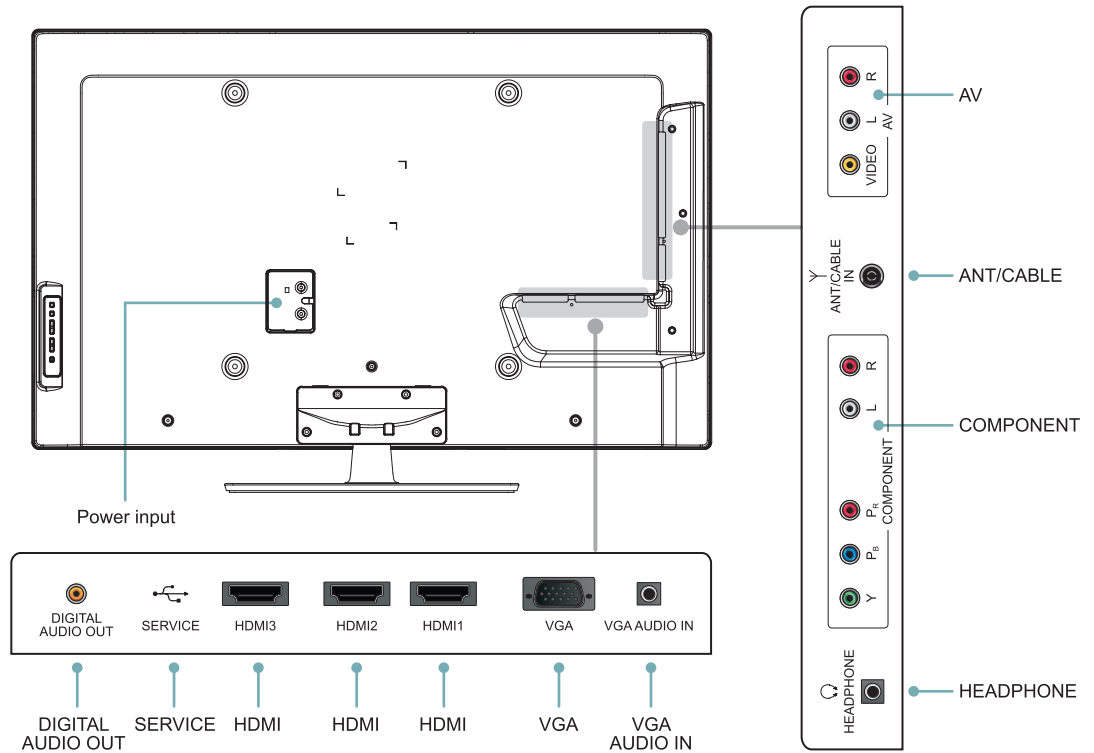
1. Dispose of your batteries in a designated disposal area. Do not throw the batteries into a fire.
2. Do not mix battery types or combine used batteries with new ones.
3. Remove depleted batteries immediately to prevent battery acid from leaking into the battery compartment.
4. If you do not intend to use the remote control for a long time, remove the batteries.
5. Batteries should not be exposed to excessive heat, such as sunshine, heat registers, or fire.
6. Battery chemicals can cause a rash. If the batteries leak, clean the battery compartment with a cloth. If chemicals touch your skin, wash immediately.
7. Do not mix old and new batteries.
8. Do not mix alkaline, standard (carbon-zinc) or rechargeable (ni-cad, ni-mh, etc.) batteries.

The effective range of remote control

1. The remote control distance: 315 inches in front of the TV set.
2. The remote control angle: taking the television infrared light receiver window as an apex, 236 inches away, its controlled angle (left to right) is within 30 degrees, while the vertical angle (up to down) is within 30 degrees.

Getting Started

Making Connections



Item	Description
ANT/CABLE	Connect an antenna or cable TV to this jack.
HDMI	HDMI (High-Definition Multimedia Interface) provides an uncompressed, all digital audio/video interface between this TV and any HDMI-device, such as a set-top box, Blu-ray disc player, or A/V receiver.
COMPONENT	Connect to a DVD player, Digital Set-Top-Box, or other A/V devices with component (Y _P P _R) video and audio output jacks.
AV	Connect to the composite video and audio (L/R) output jacks on external video devices.
VGA VGA AUDIO IN	Connect to a PC or other devices with a VGA interface.
HEADPHONE	Connect headphone for private listening.
DIGITAL AUDIO OUT	Connect to an external digital audio device.
SERVICE	For software update only. (Do not use.)

NOTE

Some external devices impossible insert to this set for individual difference. Please replace with appropriate external signal cable or increase the adapter to match with the port in such case.

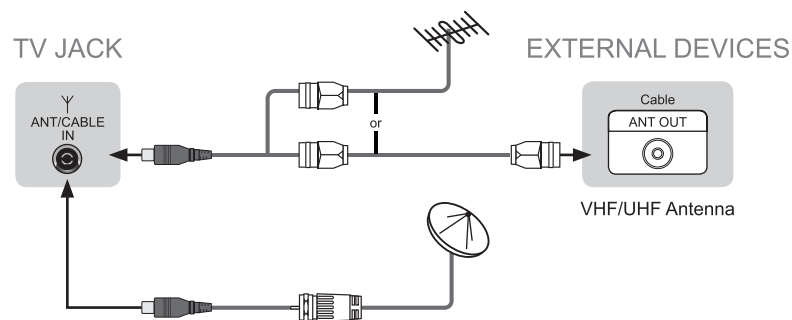
Getting Started

NOTES

- Check the jacks for position and type before making any connections. Loose connections can result in image or color problems. Make sure that all connections are tight and secure.
- Not all A/V devices have the ability to connect to a TV, please refer to the user's manual of your A/V device for compatibility and connections procedure.
- Always unplug the power cord when connecting external equipment.

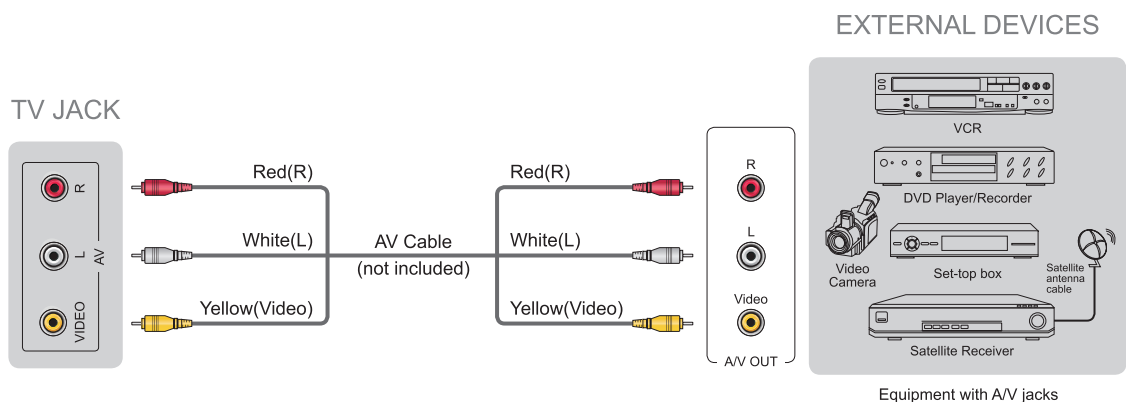
Connecting an antenna, cable or cable/satellite box

1. Turn off the TV before connecting the antenna.
2. Connect one end of a coaxial cable (not included) to the RF OUT jack on the antenna, cable or cable/satellite box. If you are using an antenna with twin-lead cable, you may need a 300-75 ohm adapter (not provided) to connect it to the back of your TV. Likewise, if you are using several antennas, you may need a combiner (not provided).
3. Connect the other end of the cable to the ANT/CABLE IN jack on the side of your TV.



Connecting an A/V Device with Composite Cable

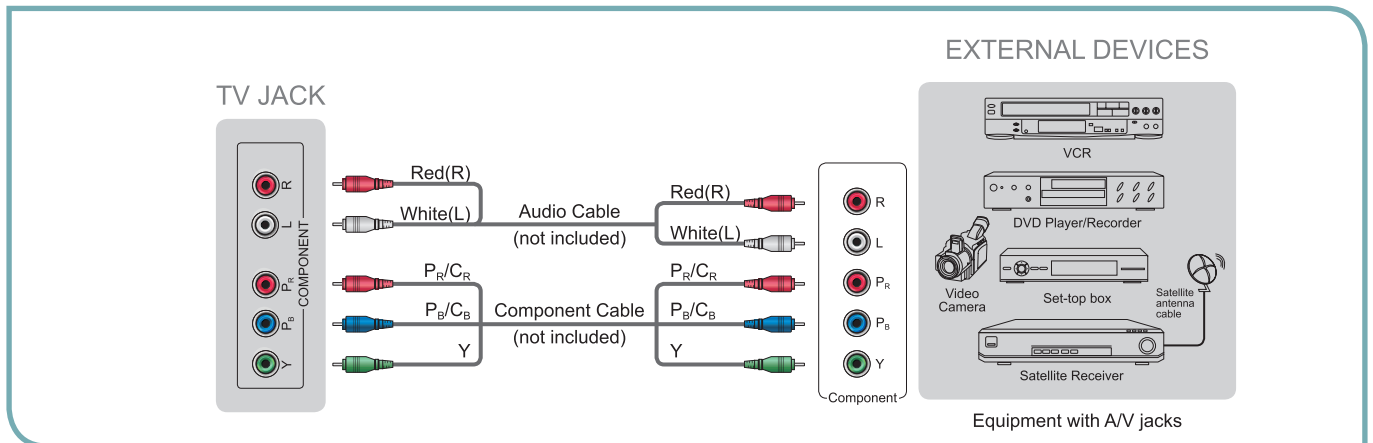
1. Use the audio and video cables to connect the external A/V device's composite video/audio jacks to the TV's jacks. (Video = yellow, Audio Left = white, and Audio Right = red)
2. Plug the connected devices into the mains socket before switching on the TV.
3. Select the corresponding source from the TV.



Getting Started

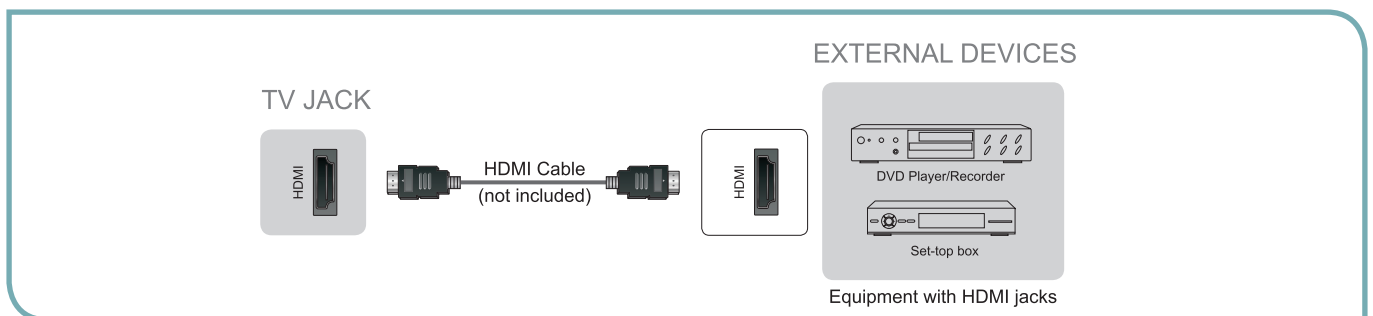
❏ Connecting an A/V Device with Component (YP_BP_R) Cable

1. Use a component cable to connect the external A/V device's component output jacks to the TV's YP_BP_R jacks. Use an audio cable to connect the external A/V device's component audio jacks to the TV's AUDIO (L/R) jacks.
2. Plug the connected devices into the mains socket before switching on the TV.
3. Select the corresponding source from the TV.



❏ Connecting an A/V Device with HDMI Cable

- Support digital connections between HDMI - enabled AV devices such as PVR, DVD, Blu-ray, AV receiver and digital devices.
 - Some devices such as PVR or DVD player require HDMI signal to be set to output in the device's settings.
 - Please consult your device user manual for instructions.
1. Use an HDMI cable to connect the A/V device's HDMI output jack to the TV's HDMI jack.
 2. Plug the connected devices into the mains socket before switching on the TV .
 3. Select the corresponding source from the TV.

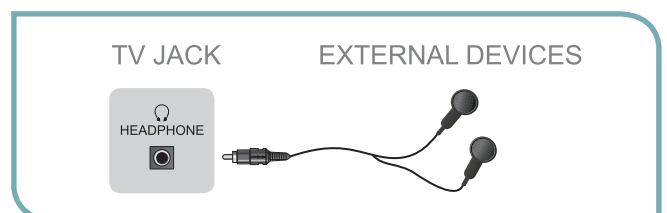


✔ NOTE

The HDMI connector provides both video and audio signals, it's not necessary to connect the audio cable.

❏ Connecting a headphone

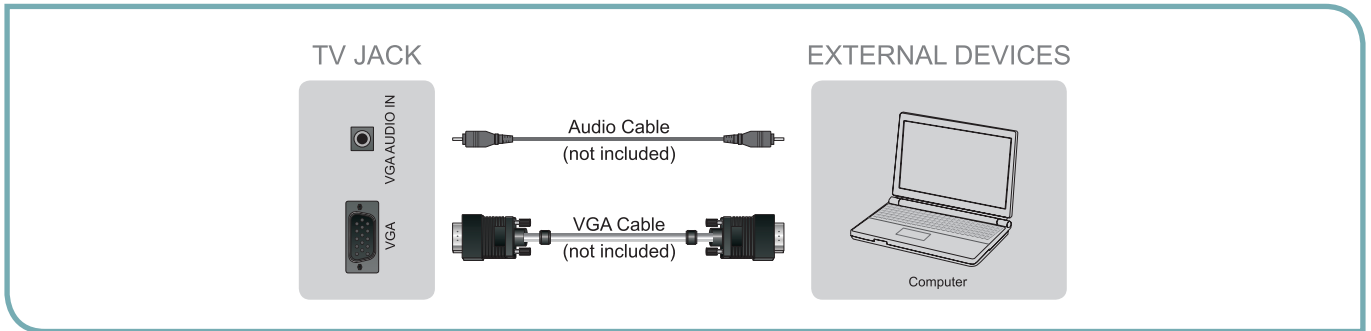
Headphones can be connected to the HEADPHONE output on your set. (While the headphone is connected, the sound from the built-in speakers will be disabled.)



Getting Started

❏ Connecting a PC with VGA Cable

1. Use a VGA cable to connect the PC's VGA output jack to the TV's VGA jack. Use an audio cable to connect the PC's audio output jack to TV's VGA AUDIO IN jack.
2. Plug the connected devices into the mains socket before switching on the TV.
3. Select the corresponding source from the TV.

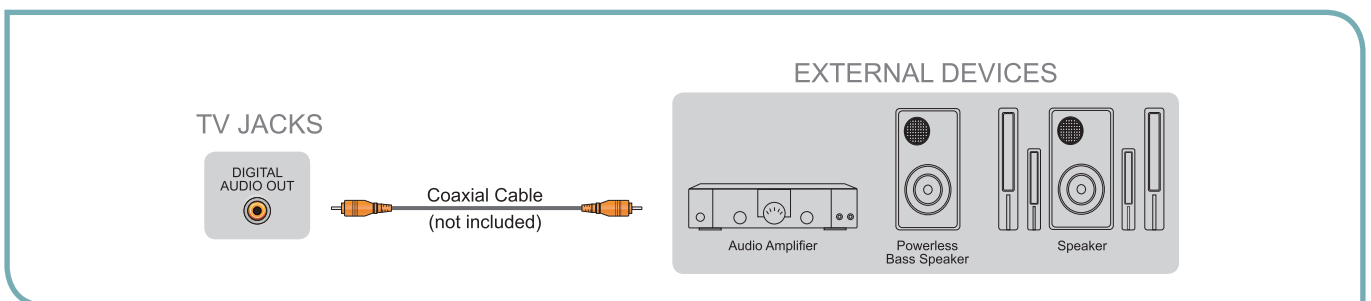


✔ NOTES

- Primarily this unit is intended for use as an LCD TV. If you want to use it as a monitor, please contact the manufacturer of the PC Video/Graphic's card for further support. Perfect compatibility is not warranted.
- The VGA cable will not supplied with the product.
- We strongly recommend to use VGA cable with 2 cores as shown in the figure.

❏ Connecting an Audio Receiver with Digital Audio out cable

1. Use a coaxial cable to connect the A/V device's digital audio in jack to the TV's DIGITAL AUDIO OUT jack.
2. Plug the connected devices into the mains socket before switching on the TV.
3. Select the corresponding source from the TV.



✔ NOTES

- When a digital audio system is connected to the DIGITAL AUDIO OUT (COAXIAL) jack, decrease the volume of both the TV and the system.
- 5.1 CH (channel) audio is available when the TV is connected to an external device supporting 5.1 CH.
- When the receiver (home theater) is set to on, you can hear sound output from the TV's digital audio out jack. When the TV is receiving a DTV signal, the TV will send 5.1 CH sound to the home theater receiver. When the source is connected to the TV via HDMI, only 2 CH audio will be heard from the home theater receiver. If you want to hear 5.1 CH audio, connect the digital audio out jack from your DVD/Blu-ray player/cable box/STB satellite receiver directly to an amplifier or home theater.