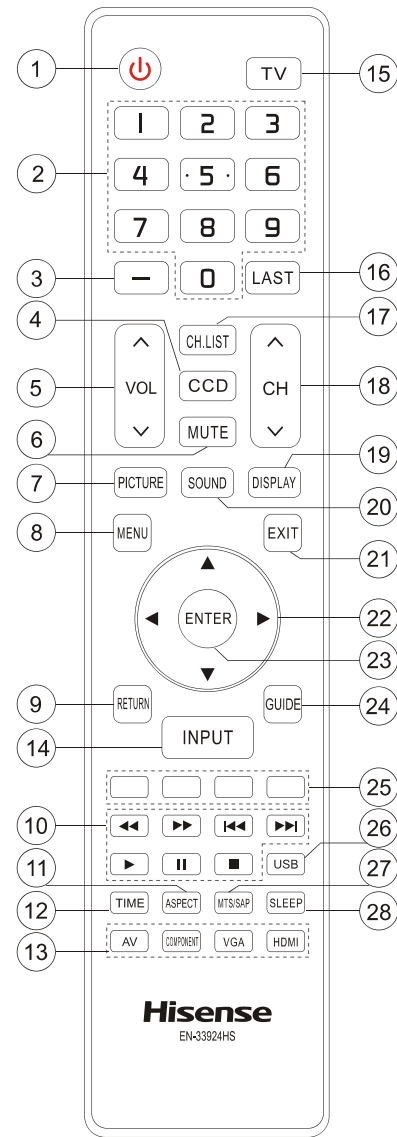
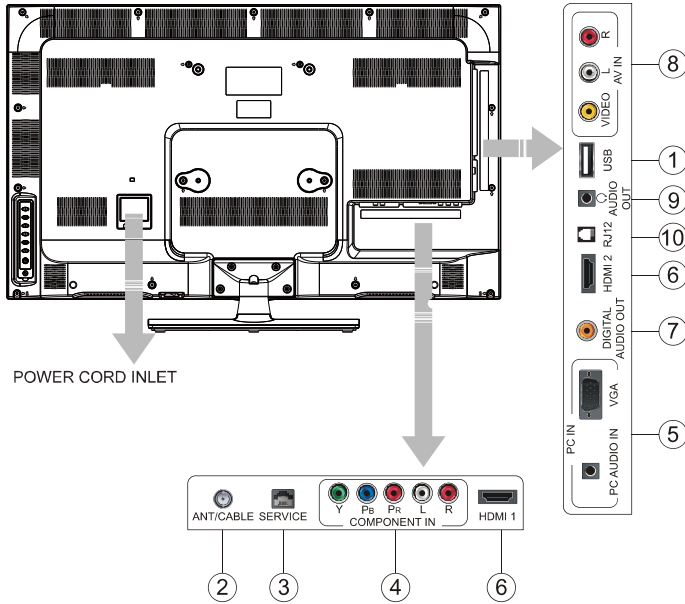


### Back connections



Item	Name	Description
①	<b>USB</b>	This unit has USB interface and can be connected the standard USB 1.1 and USB 2.0 USB FLASH STICK.
②	<b>ANT/CABLE</b>	Connect an antenna or cable TV to this jack.
③	<b>SERVICE</b>	Service only, don't use.
④	<b>COMPONENT IN</b>	Connect component video devices to these jacks.
⑤	<b>PC IN</b>	Connect a computer (audio and video) to these jacks.
⑥	<b>HDMI 1/2</b>	Connect an HDMI device to one of these jacks.
⑦	<b>DIGITAL AUDIO OUT</b>	Connect a digital coaxial cable to this connector, then to a digital sound system.
⑧	<b>AV jack</b>	Connect a standard AV device, such as a camcorder or game console to these jacks.
⑨	<b>Ⓜ/AUDIO OUT</b>	Plug headphones into this jack.
⑩	<b>RJ12</b>	Connect a RJ-12 Cable to this jack, then to an external control device (such as a computer or A/V control system), to control the TV functions externally.

Item	Name	Description
①	<b>POWER</b>	Press to turn on the TV or put the TV in standby mode. <b>Caution:</b> The TV continues to receive power even in standby mode. Unplug the power cord to disconnect power.
②	<b>Numbers</b>	Press the number buttons to enter channel numbers or the parental control password.
③	<b>— (dash)</b>	Press to select a digital sub-channel.
④	<b>CCD</b>	Press to turn closed captioning on or off. For more information.
⑤	<b>VOL ^ / VOL v</b>	Press to increase or decrease the volume.
⑥	<b>MUTE</b>	Press to mute the sound. Press again to restore the sound.
⑦	<b>PICTURE</b>	Press to select the video mode. You can select Standard, Custom, Vivid, Game, Cinema and Power Saver.
⑧	<b>MENU</b>	Display the main menu. Go back to preview menu.
⑨	<b>RETURN</b>	Not available.

Item	Name	Description
⑩	⏮	Play the previous files.
	⏭	Play the next files.
	⏸	When you are listening to music and enjoying pictures. You can switch between playing and pause through this button.
	■	Exit the current state.
	⏪	Not available.
	⏩	Not available.
⑪	<b>ASPECT</b> (Zoom button)	Select screen mode.
⑫	<b>TIME</b>	Not available.
⑬	<b>AV/COMPONENT</b> /VGA/HDMI	Select VIDEO/COMPONENT/ PC / HDMI source.
⑭	<b>INPUT</b>	Press to open the <i>INPUT SOURCE</i> menu, then press ▲ or ▼ to select the video input source you want.
⑮	<b>TV</b>	Press to select the TV as the video input source.
⑯	<b>LAST</b>	Return to previous channel.
⑰	<b>CH.LIST</b>	Display the channel list.
⑱	<b>CH^/CHv</b>	Press to go to the next or previous channel in the channel list.
⑲	<b>DISPLAY</b>	Display the information banner.
⑳	<b>SOUND</b>	Press to select the sound mode. You can select standard, custom, dynamic and clear voice.
㉑	<b>EXIT</b>	Press to close the on-screen menu.
㉒	▲▼◀▶	Press ▲ or ▼ to move up or down in on-screen menus.
		Press ◀ or ▶ to move left or right in on-screen menus or to adjust menu settings.
㉓	<b>ENTER</b>	Press to confirm selections in on-screen menus or to open sub-menus.
㉔	<b>GUIDE</b>	Press to open the DTV program guide (if available).
㉕	Program guide (EPG) function buttons	After pressing the <b>GUIDE</b> button in the digital TV channel option, the same color buttons will appear with explanations in the on-screen display (OSD). Follow the steps shown in the OSD.
㉖	<b>USB</b>	Select DMP source.
㉗	<b>MTS/SAP</b>	In analog TV mode, press to select <b>STEREO</b> , <b>SAP</b> (secondary audio language), or <b>MONO</b> . In digital TV mode (DTV), press to select the audio track. For more information.
㉘	<b>SLEEP</b>	Press to set the sleep timer.



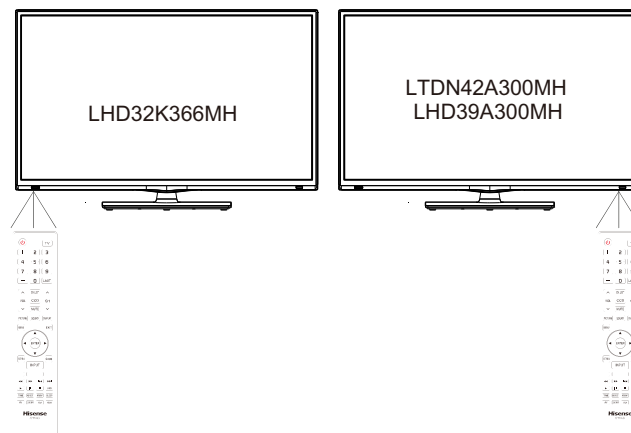
#### Battery precautions:

- Dispose of batteries as hazardous waste.
- Do not mix batteries of different types.
- Do not mix old and new batteries. Mixing old and new batteries can shorten the life of new batteries and can cause old batteries to leak.
- Remove batteries as soon as they become inoperable. Chemicals that can leak from the batteries can cause a rash. If the batteries leak, clean the battery compartment with a cloth.
- If the remote control is not used for an extended period of time, remove the batteries.
- Do not expose batteries to excessive heat such as sunshine, fire, or other heat sources.

## Aiming the remote control

#### To aim the remote control:

- Point the remote control towards the remote sensor on the front of your TV.



## Using the remote control

### Installing remote control batteries

#### To install remote control batteries:

- 1 Press down on the battery compartment cover lock, then remove the remote control cover.
- 2 Insert two AAA batteries into the battery compartment. Make sure that the + and – symbols on the batteries match the + and – symbols in the battery compartment.
- 3 Replace the cover. Make sure that the lock snaps into place.
- 4 Install screw.

#### Notes:

- Do not expose the remote control to shock or liquids.
- Do not use the remote control in an area with high humidity.
- Do not place the remote control in direct sunlight.
- Do not place objects, such as furniture, between the remote control and the remote sensor.
- The remote control may not work if direct sunlight or bright light shines on the remote sensor. Either move your TV or change the angle at which you use the remote control.

## Making connections

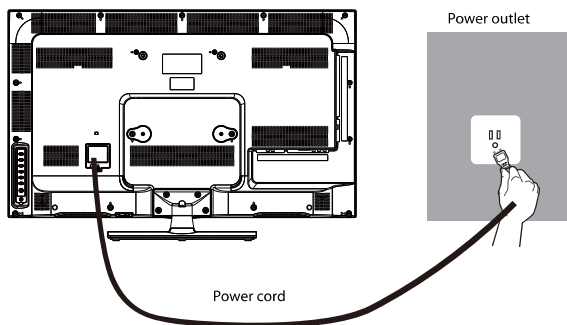
Before you make any connections:

- Check the plugs on the ends of cables to make sure that they are the correct type before you try plugging them into jacks on the TV.
- Make sure that all plugs are securely inserted into the jacks. Loose connections can result in image or color problems.
- When connecting devices to the TV, make sure that the TV and the device are turned off and that the power cords are unplugged.

## Connecting the power

To connect the power cord:

- Plug the power cord to a power outlet.



### Notes:

- The AC plug on the TV may be different from the one shown.
- Make sure that you only use the type of power source indicated on the marking label.
- Always unplug the power cord when not using the TV for a long period of time.

## Selecting a location

You should select a location for the TV:

- Where direct light does not reflect on the screen
- That has indirect and soft lighting
- Where the TV has access to an antenna or cable TV connection
- Where the TV has access to a power outlet

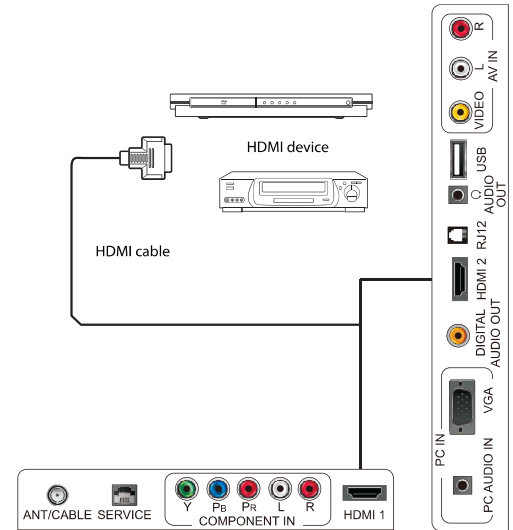
**Note:** Watching TV in total darkness or with a reflection on the screen may cause eye strain.

## Connecting an HDMI device

**Note:** If your device has an HDMI connection, we recommend you use it to get the best picture and sound quality possible.

To connect an HDMI device:

- Connect one end of an HDMI cable (not included) to the HDMI 1 or HDMI 2 jack on the side of your TV, then connect the other end of the cable to the HDMI OUT jack on the HDMI device.



**Note:** To connect a DVI device, use a DVI to HDMI adapter cable to connect to the **HDMI** jack on the TV, then connect an audio cable to the **PC AUDIO IN** jack on the back of the TV.

To play from the HDMI device:

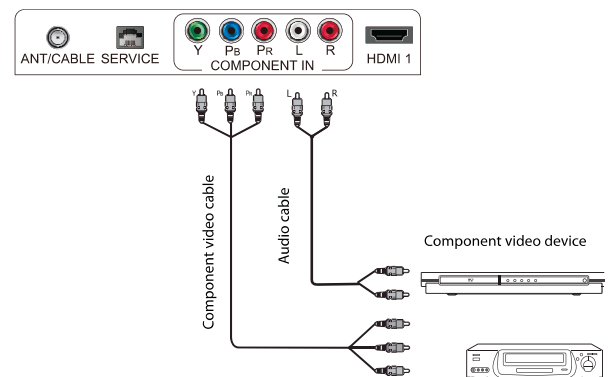
- 1 Turn on the TV, then press **INPUT**. The **INPUT SOURCE** menu opens.
- 2 Press **▲** or **▼** to select **HDMI1, HDMI2** then press **ENTER**.
- 3 Turn on the HDMI device, then set it to the correct mode. Refer to the instructions that came with the HDMI device.

## Connecting a component video device

Component cables often have red, green, and blue color-coded video connectors and red and white audio connectors. Match the colors when making connections.

To connect a component video device:

- 1 Make sure that your TV's power cord is unplugged and the component video device is turned off.
- 2 Connect a component video cable to the **COMPONENT OUT** jacks on the component video device.



- 3 Connect the other end of the component video cable to the **YPbPr** jacks on the back/side of your TV.
- 4 Connect an audio cable to the **AUDIO OUT** jacks (L/R) on the component device.
- 5 Connect the other end of the audio cable to the **AUDIO-L** and **AUDIO-R** jacks on the back/side of your TV.