

ES-G1612B3



# Hisense

# USER MANUAL

Before using the TV, please read this manual thoroughly and retain it for future reference.

***English***

## Copyright Statement

© 2016 Hisense Company Ltd. All Rights Reserved.

All material in this User Manual is the property of Hisense Company Ltd. and its subsidiaries, and is protected under US, CANADA, MEXICO and International copyright and/or other intellectual property laws. Reproduction or transmission of the materials, in whole or in part, in any manner, electronic, print, or otherwise, without the prior written consent of Hisense Company Ltd. is a violation of Hisense Company Ltd. rights under the aforementioned laws.

No part of this publication may be stored, reproduced, transmitted or distributed, in whole or in part, in any manner, electronic or otherwise, whether or not for a charge or other or no consideration, without the prior written permission of Hisense Company Ltd.

Requests for permission to store, reproduce, transmit or distribute materials may be made to one of the following addresses:

USA: Hisense USA Corporation  
PO Box 3289  
Suwanee, GA 30024

CANADA: Hisense Canada Co., Ltd,  
405 Britannia Rd E., Suite 11  
Mississauga, Ontario, L4Z 3E6

MEXICO: Hisense Mexico S de RL de CV  
Boulevard Miguel de Cervantes Saavedra No. 301, Torre Norte, Piso 2,  
Colonia Ampliación Granada, C.P. 11520, en México Distrito Federal.

Hisense, and any and all other Hisense product names, logo's, slogans or marks are registered trademarks of Hisense Company Ltd. and its subsidiaries. All other trademarks are the property of their respective holders

## Disclaimer Page

*\*\*Notwithstanding anything to the contrary, including in any or all descriptions, representations, statements or other communications related to this Hisense device (hereinafter "Device") made in any form whatsoever and at any time, some or all of the pre-installed, or subsequently installed Application Services may not be available or capable of functioning as intended by the provider of the Application Services in any or all usage areas for reasons outside of Hisense's control, including but not limited to, Internet access, local service limitations, etc. Any purchase or use of the Device, including any Application Services, is purely at the user's risk. Application Services are provided on an as-available basis without warranties of any kind, either expressed or implied, that the Application Service will be uninterrupted or error-free, including but not limited to vagaries of weather, disruption of Service, acts of God, warranties of title, local or regional limitations, no infringement, NOR IMPLIED WARRANTIES OF MERCHANTABILITY OR FITNESS FOR A PARTICULAR PURPOSE. No advice or information given by Hisense, providers, affiliates, or contractors or their respective employees shall create such a warranty. Hisense specifically disclaims responsibility for any or all Application Services from functioning at any time, and by purchasing the Device, you accept such disclaimer without any claim on Hisense. You are solely responsible for providing an active and working connection to the Internet, along with any and all hardware and/or software necessary to use the Hisense Device as intended.*

**Disclaimer:** Images throughout this document are for illustrative purposes only and may differ from the actual product.

# Table of Contents

<b>Connecting Devices to your TV</b> .....	<b>3</b>
Connecting an antenna, cable set-top box or satellite receiver .....	3
Connecting a Satellite Receiver, DVD player .....	3
Connecting an AV device with a component video cable .....	4
Connecting an AV device with an HDMI cable .....	4
Connecting headphones .....	5
Connecting speakers (or other audio receivers) .....	5
Connecting a digital sound bar to use ARC (Audio Return Channel) .....	6
<b>Connecting your TV to a Wired or Wireless Network</b> .....	<b>7</b>
Connecting to a Wireless network .....	7
Connecting to an Wired (Ethernet) network .....	7
<b>Using Your TV Remote Control</b> .....	<b>9</b>
<b>Completing the First-Time Setup Menu</b> .....	<b>11</b>
<b>Basic and Advanced TV Settings</b> .....	<b>13</b>
Accessing the Quick Setup Menu .....	13
Picture Menu .....	13
Sound Menu .....	14
Channels Menu .....	14
Network Menu .....	14
System Menu .....	15
About TV Menu .....	16
<b>Parental Controls</b> .....	<b>17</b>
<b>Getting familiar with the Home screen</b> .....	<b>19</b>

# Table of Contents

<b>Live TV</b> .....	<b>20</b>
Viewing channel information .....	20
Viewing a channel list .....	20
Creating a Favorites list .....	20
Viewing your Favorites list .....	20
<b>Apps</b> .....	<b>21</b>
Opera TV Store .....	21
TV Browser .....	21
Installing an App .....	21
Removing an App .....	21
Moving App Icons around .....	22
Customizing the name of your TV .....	22
<b>Media</b> .....	<b>22</b>
Panels that appear on the Media screen .....	22
File formats that are supported .....	22
Viewing Videos .....	22
Browsing Content .....	22
Viewing Pictures as a Slideshow .....	23
<b>Mirroring content from your device to the TV</b> .....	<b>23</b>
<b>Software updates for your TV</b> .....	<b>24</b>
<b>Quick Problem-Solving Tips</b> .....	<b>25</b>

# Connecting Devices to your TV

## Connecting Devices to your TV

You have several options for connecting your TV to different devices. The method in which you connect will be based upon the type of cables you have and the available outputs on your device.

### Connecting an antenna, cable set-top box or satellite receiver

To connect an antenna, cable set-top box or satellite receiver:

1. Connect one end of a coaxial cable (not included) to the **[RF OUT]** jack on the antenna, cable or satellite box. If you are using an antenna with twin-lead cable, you may need a 300-75 Ohm adapter (not provided) to connect it to the back of your TV. Likewise, if you are using several antennas, you may need a combiner (not provided).
2. Connect the other end of the cable to the **[ANT/CABLE]** jack on the side of TV.
3. Using your remote, press the **[INPUT]** button and select TV as the input source.

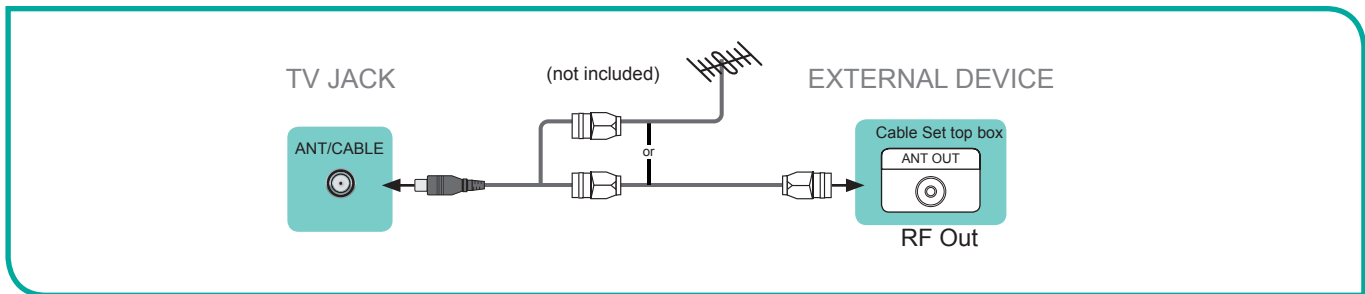


Figure 1. Antenna, cable set-top box or satellite receiver to the TV

### Connecting a Satellite Receiver, DVD player (or other Audio Visual (AV) device with a composite video cable (yellow/red/white)

To connect an AV device with a composite video cable (not provided):

1. Use the audio and video cables to connect the composite video/audio jacks (of the external AV device) to the **[AV IN]** jacks of the TV. (Video = yellow, Audio Left = white, and Audio Right = red).
2. Plug the connected devices into the AV connectors on the TV before switching it on.
3. Using your remote, press the **[INPUT]** button and select **AV** as the input source.

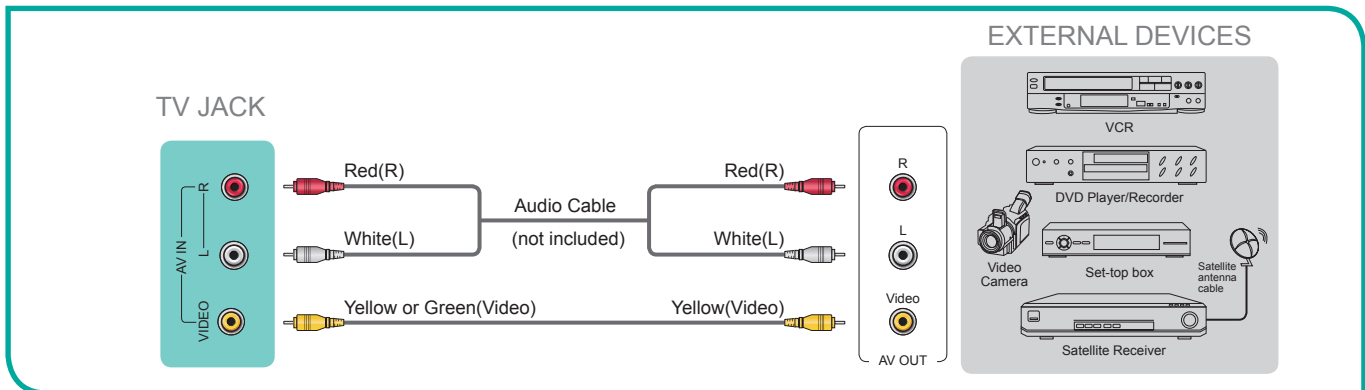


Figure 2. AV device with a composite video cable

# Connecting Devices to your TV

## Connecting an AV device with a component video cable (red/blue/green)

To connect an AV device with a component cable (which is red/blue/green):

1. Use a component video cable (not provided) to connect the component output jacks of the external device to the **YP<sub>B</sub>P<sub>R</sub>** jacks for the TV. Use an audio cable to connect the component audio jacks of the external device to the TV AUDIO (L/R) jacks.
2. Plug the connected devices into the YP<sub>B</sub>P<sub>R</sub> and L/R ports on the TV before switching it on.
3. Using your remote, press the **[INPUT]** button and select **Component** as the input source.

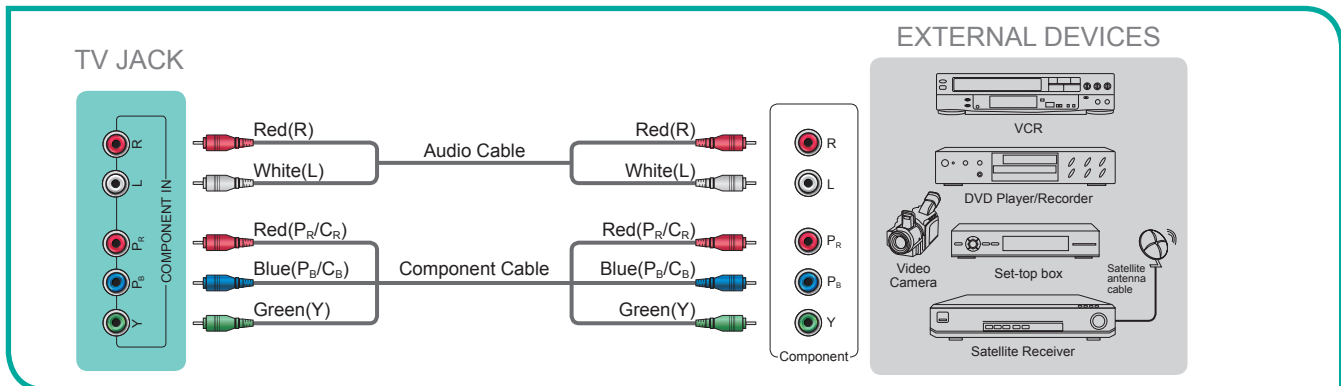


Figure 3. AV device with a component video cable

### NOTE

One AV device can be connected to the TV using a component video or composite video cable.

## Connecting an AV device with an HDMI cable

This type of connection supports digital connections between HDMI-enabled AV devices such as a Personal Video Recorder (PVR), DVD, Blu-Ray, AV receiver and digital devices. In addition, some devices (such as a PVR or DVD player) require an HDMI signal to be set to **Output** in the settings of the device.

Please refer to the User Manual that came with your device for step-by-step instructions.

To connect an AV device with an HDMI cable:

1. Use an HDMI cable to connect the **[HDMI]** output port of the AV device to the **[HDMI]** jack of the TV.
2. Plug the connected devices into the power socket.
3. Using your remote, press the **[INPUT]** button and select the corresponding HDMI input.

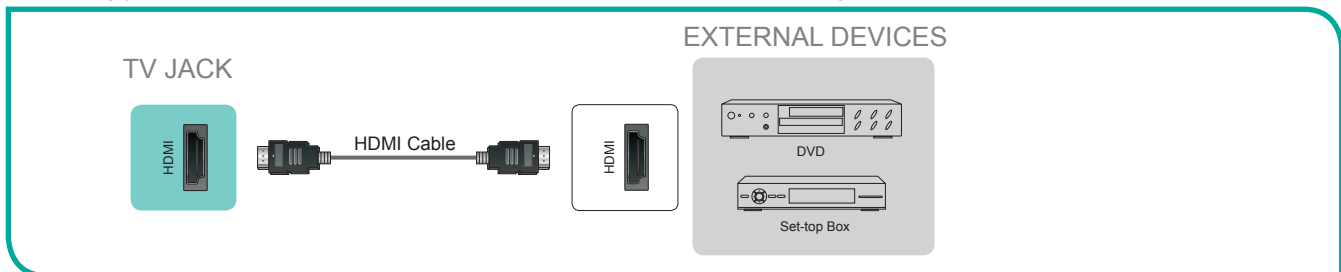


Figure 4. AV device with an HDMI cable

### NOTES

- Because the HDMI connector provides video and audio signals, it is not necessary to connect an audio cable.
- The HDMI cable will not be supplied with the product.
- We strongly recommend to use HDMI Cable with 2 cores as shown in the figure.



# Connecting Devices to your TV

## Connecting headphones

You can connect headphones to the [AUDIO OUTPUT] port on your TV. While the headphone is connected, the sound from the built-in speakers will be disabled.

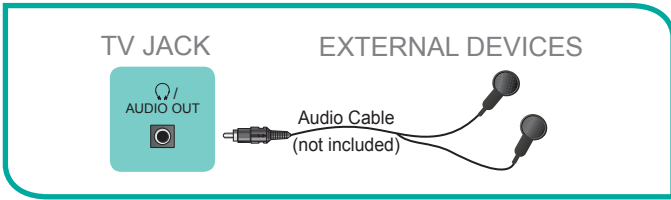


Figure 5. Headphones to the TV

## Connecting speakers (or other audio receivers)

To connect speakers (or other audio receivers) with an audio cable:

1. Use an audio cable (not provided) to connect the [DIGITAL AUDIO IN] jack of the audio receiver device to the [DIGITAL AUDIO OUT] jack of the TV. Another option is to use an RCA Y-cable (1/8"-stereo mini to L/R phono) to connect an analog sound system to the [AUDIO OUTPUT] jack of the TV.
2. Plug the connected devices into the main power socket before switching on the TV.

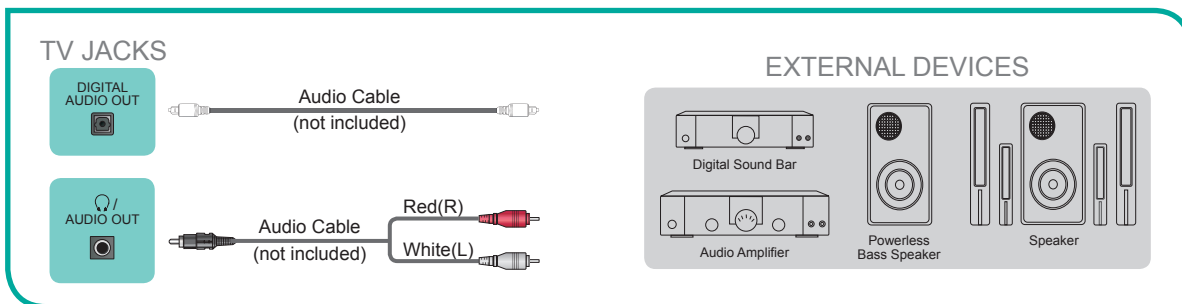


Figure 6. Audio receiver with audio cable

### NOTES

If you prefer to use Audio Return Channel, then follow the steps on the next page under 'Connecting a digital sound bar to use Audio Return Channel'.