

Table of Contents

Canadian French Ratings.....	30
------------------------------	----

Accessing the Information Panel

Information Panel Elements for Live TV	31
--	----

Navigating the Four Smart TV Centers

Overview.....	32
---------------	----

About the TV Center.....	32
--------------------------	----

Using the On-Next Program Guide.....	33
--------------------------------------	----

Using the Channel List	33
------------------------------	----

Adding Channels to your Favorites	34
---	----

Removing Channels from Your Favorites.....	34
--	----

On Demand

Overview.....	34
---------------	----

Browsing On Demand	35
--------------------------	----

Viewing Information about an Application.....	35
---	----

Launching an On Demand Application	35
--	----

Exiting Out of On Demand	35
--------------------------------	----

Description of Features	35
-------------------------------	----

Media Center

Overview.....	36
---------------	----

Supported File Formats.....	36
-----------------------------	----

Disclaimer Regarding Illustrations

Images throughout this user manual are for illustration purposes only and may differ from the actual product.

Table of Contents

Media Pages

Showcase	37
Videos	37
Photos	37
Music	37
Devices	37
Scanning Content on a Personal Device	37
Scanning Content in a Cloud Account	37
Disabling Scanning on Devices	38
Playing Back Previous Content	38
Playing Videos	38
Hiding Content	38
Browsing Content	38
Filtering Content	38
Adding Content to Your Favorites	39
Launching Cloud Services	39
Creating Playlists of Audio Content	39
Removing Playlists	39
Viewing Photos as a Slideshow	39
Playing Music During a Photo Slideshow	40

App Center

Overview	40
Managing Your Apps	40

Disclaimer Regarding Illustrations

Images throughout this user manual are for illustration purposes only and may differ from the actual product.

Table of Contents

Adding an Application	41
Removing an Application	41
Browsing through Applications	41
Widgets.....	41

Customizing Advanced Settings

TV Settings	42
Picture	42
Screen	42
Sound	42
Broadcast	43

Software Updates and Locating Product ID Numbers

Automatic Updates	44
Manual Updates	44

Locating the Model and Serial Numbers

Locating the Model and Serial Numbers.....	44
--	----

Basic Troubleshooting Solutions

Basic Troubleshooting Solutions.....	45
--------------------------------------	----

Disclaimer Regarding Illustrations

Images throughout this user manual are for illustration purposes only and may differ from the actual product.

Getting Started With Setting Up Your TV

Thank you for purchasing this Hisense VIDAA Smart TV. It offers you an integrated way to view TV content, use apps, play different types of media and access the Internet. We want to ensure that you enjoy this product and have provided this documentation to help you have a great experience.

Register Your TV and Access Product Support

Using your mobile phone, scan the first QR code to register your TV and the second QR code to access support. Depending on the make and model of your phone, you may need to download a QR code scanning application.



Figure 1. Product Registration QR Code



Figure 2. Product Support QR Code

Getting Started With Setting Up Your TV

Required Tool

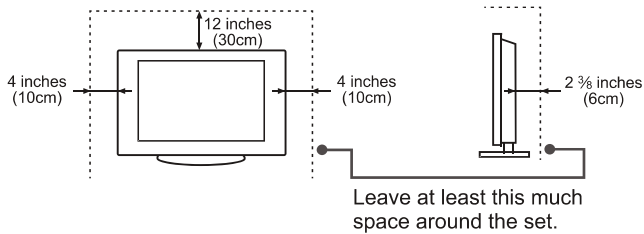
Phillips screwdriver

Provide Adequate Ventilation for the TV

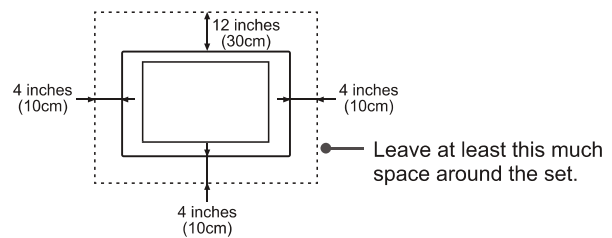
We recommend that you maintain a distance of at least four inches between the TV and other objects (for example, cabinet sides) to ensure proper ventilation. Failing to maintain proper ventilation may cause the TV to overheat due to an increase in its internal temperature.

When you install your TV, we recommend that you use screws and other parts that are only provided by Hisense. If you use parts provided by another manufacturer, then Hisense is not responsible for any damage to the TV, problems with the TV or bodily injury.

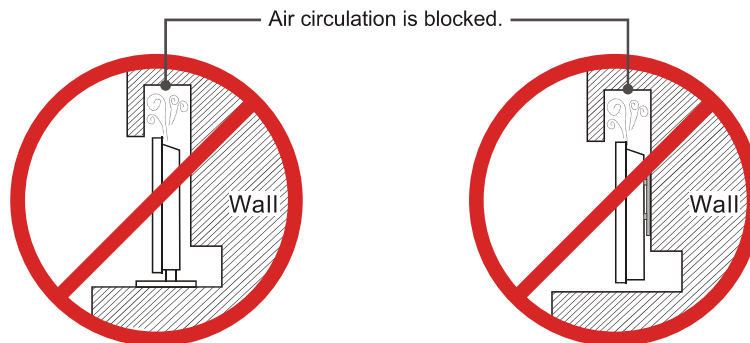
Install with stand



Install on the wall



Never install the TV set as follows:



Inadequate air circulation can lead to overheating of the TV and may cause damage to your TV or cause a fire.

Figure 5. Adequate and inadequate ventilation

Lifting and Moving the TV

- We recommend that at least 2 people are available to lift and transport the TV.
- Before moving or lifting the TV, disconnect the power cord and all cables.
- When holding the TV, face the screen away from you to avoid damage.
- Hold the top and bottom of the TV firmly.

Connecting Components to the TV

The following section provides the steps to connect components to the TV.

Connecting an antenna, cable or satellite box

1. Turn off the TV before connecting the antenna.
2. Connect one end of a coaxial cable (not included) to the **[RF OUT]** jack on the antenna, cable or satellite box. If you are using an antenna with twin-lead cable, you may need a 300-75 Ohm adapter (not provided) to connect it to the back of your TV. Likewise, if you are using several antennas, you may need a combiner (not provided).
3. Connect the other end of the cable to the **[ANT/CABLE]** jack on the side of the back panel.
4. Select TV as the input source using the **[INPUT]** button.

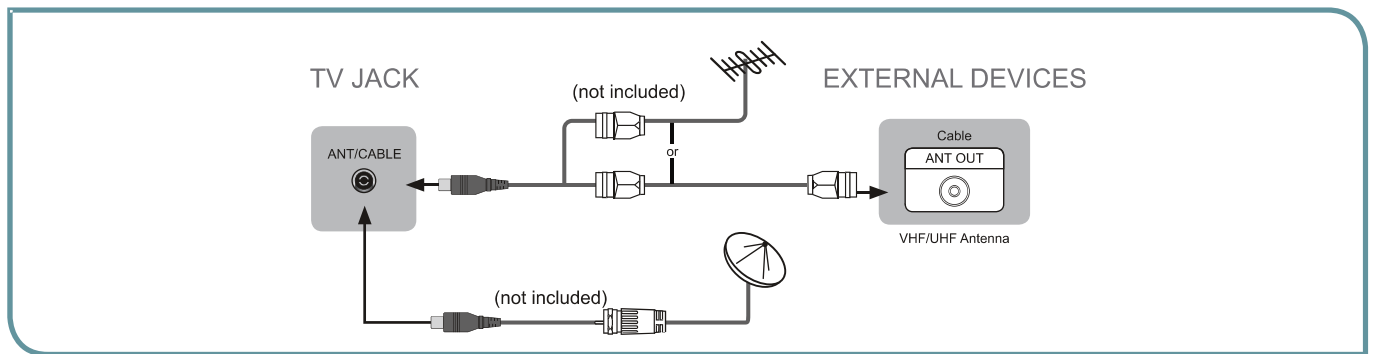


Figure 8. Connect an antenna to the TV

Connecting an Audio Visual (AV) device with a composite cable

1. Use the audio and video cables to connect the composite video/audio jacks of the external AV device to the jacks of the TV. (Video = yellow, Audio Left = white, and Audio Right = red).
2. Plug the connected devices into the main socket before switching on the TV.
3. Select AV as the input source using the **[INPUT]** button.

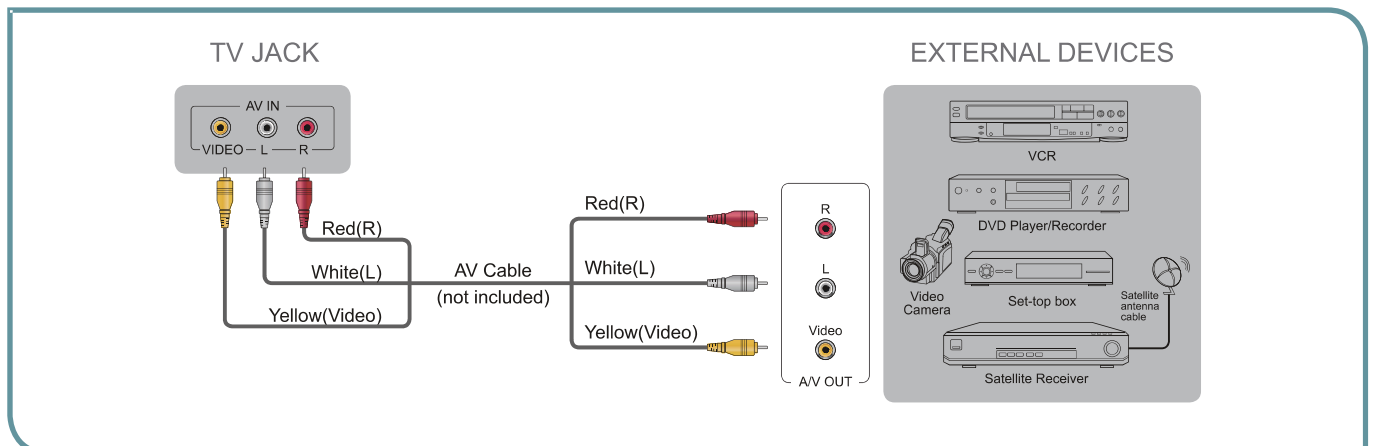


Figure 9. Connect an AV device with a composite cable

Getting Started With Setting Up Your TV

Connecting an AV device with a component (Y P_B P_R) cable

1. Use a component cable to connect the component output jacks of the external device to the YP_BP_R jacks for the TV. Use an audio cable to connect the component audio jacks of the external device to the TV AUDIO (L/R) jacks.
2. Plug the connected devices into the main socket before switching on the TV.
3. Select **Component** as the input source using the **[INPUT]** button.

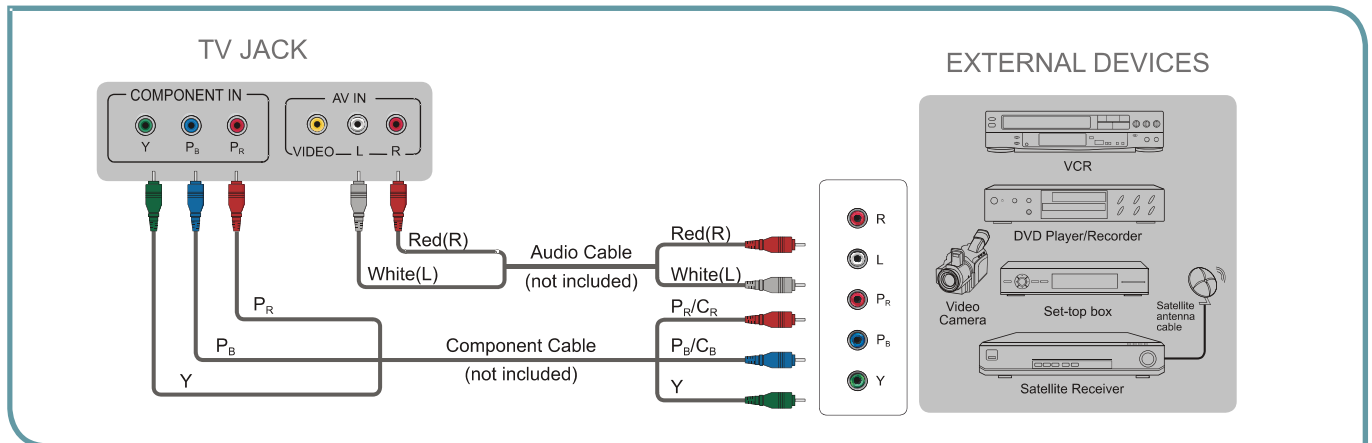


Figure 10. Connect an AV device with a component cable

NOTE

One AV device can be connected to the TV using a component or composite cable.

Connecting an AV device with an HDMI cable

This type of connection supports digital connections between HDMI-enabled AV devices such as a Personal Video Recorder (PVR), DVD, Blu-Ray, AV receiver and digital devices. In addition, some devices (such as a PVR or DVD player) require an HDMI signal to be set to **Output** in the settings of the device.

Please consult your device user manual for instructions.

1. Use an HDMI cable to connect the **[HDMI]** output jack of the AV device to the **[HDMI]** jack of the TV.
2. Plug the connected devices into the main socket before switching on the TV.
3. Select one of the HDMI sources as the input source using the **[INPUT]** button.

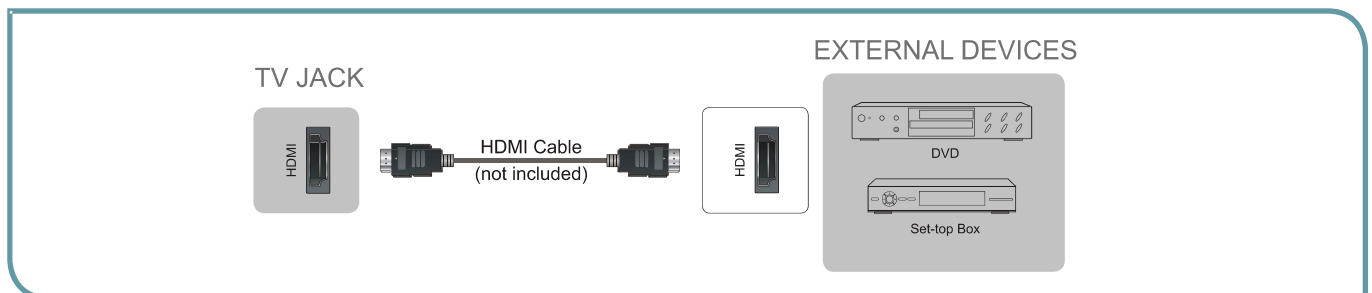


Figure 11. Connect an AV device with an HDMI cable

NOTE

The HDMI connector provides video and audio signals. It is not necessary to connect an audio cable.

Getting Started With Setting Up Your TV

Connecting a Headphone

You can connect headphones or an analog sound bar to the **[AUDIO OUT]** jack on your set. While the headphone is connected, the sound from the built-in speakers will be disabled.

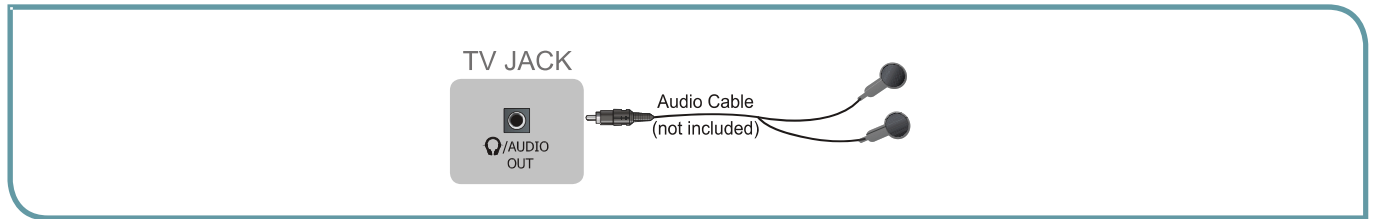


Figure 12. Connecting headphones to the TV

Connecting a PC with a VGA Cable

1. Use a VGA cable to connect the **[VGA output]** jack of the PC to the **[VGA]** jack of the TV. Use an audio cable to connect the **[Audio Output]** jack of the PC to **[PC/DVI AUDIO IN]** jack of the TV.
2. Plug the connected devices into the main socket before switching on the TV.
3. Select **VGA** as the input source using the **[INPUT]** button.

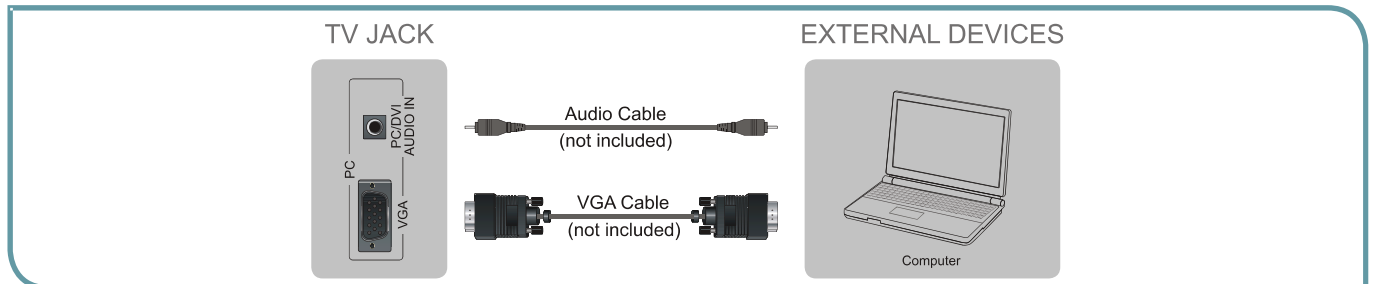


Figure 13. Connect a PC with a VGA cable

NOTE

- If you want to use this TV as a monitor, please contact the PC Video/Graphic card manufacturer for further support and perfect compatibility.
- A VGA cable is not supplied with this product.
- We recommend that you use a VGA cable with 2 ferrite cores as shown in the diagram.

Connecting an Audio Receiver with a Digital Audio Cable

1. Use an audio cable to connect the digital **[AUDIO IN]** jack of the AV device to the digital **[AUDIO OUT]** jack of the TV. Another option is to use an RCA Y-cable (1/8"-stereo mini to L/R phono - not provided) to connect analog sound system to the **[AUDIO OUT]** jack of the TV.
2. Plug the connected devices into the main socket before switching on the TV.
3. Select the corresponding source on the audio receiver.

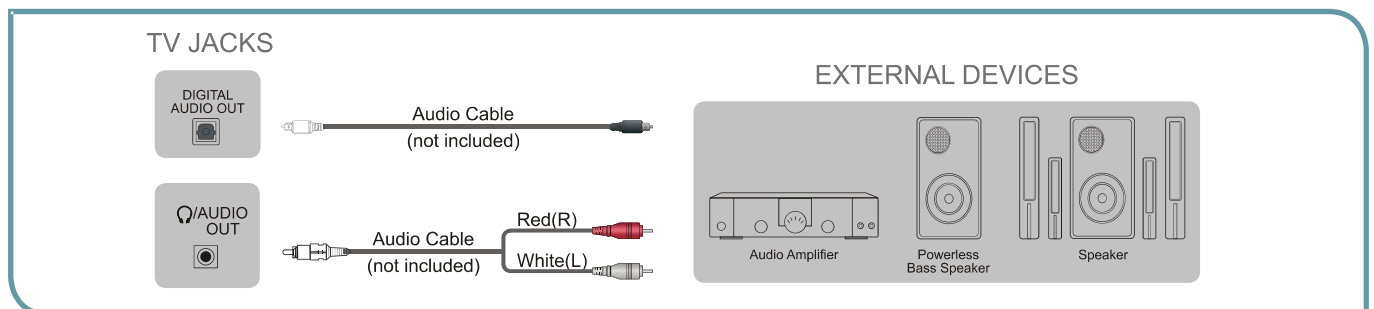


Figure 14. Connect an audio receiver with a digital audio cable

Getting Started With Setting Up Your TV

NOTE

- When a digital audio system is connected to the digital **[AUDIO OUT]** jack, decrease the volume of the TV and the system.
- CH (channel) audio is available when the TV is connected to an external device that supports a 5.1 channel surround sound (5.1 CH)
- When the receiver (home theater) is set to 'ON', you can hear sound output from the digital **[AUDIO OUT]** jack of the TV. When the TV is receiving a Digital Television (DTV) signal, the TV will send 5.1 CH sound to the home theater receiver. When the source is connected to the TV via HDMI, you will only hear 2 CH audio from the home theater receiver. If you want to hear 5.1CH audio, connect the digital **[AUDIO OUT]** jack from your DVD/Blu-ray player/cable box/STB satellite receiver directly to an amplifier or home theater.
- **Settings > Sound > Digital Sound Output** must be set to either PCM or Dolby Digital.

Connecting an IR Blaster Cable

You can connect an **IR Blaster** cable to control a Set Top Box (STB) for live TV.

Configuring the Device

1. Connect the plug of the **IR Blaster** cable to the **[IR Blaster connector]** on the back of the TV and place the opposite end on the Set Top Box.
NOTE: You may want to use clear scotch tape to secure the opposite end of the IR Blaster cable to the Set Top Box.
2. Go to **Settings > TV Settings > Configure Devices**.
The **Video Input** window displays.
3. Scroll down the list to select the input that you want to configure.
4. Select the device type that you want to set up.
5. Click **Next**.
The **Lineup Provider** window displays.
6. Select your **Lineup Provider** and click **Next**.
The **IR Blaster Setup** window displays with a dialog message that directs you to make sure you have connected the IR cable.
7. Click **Next**.
The **Select Device Subtype** window displays and prompts you to select the type of device to set up.

Adding the Device

1. Select the Device and click **Next**.
The **Add Device Manually** window displays for you to select the manufacturer of the device.
2. Click **Next**.
A second **Add Device Manually** window displays.
3. Select **Turn on Device** and click **Next**.
A 'Media Device Setup is Completed' confirmation message appears.
4. Click **Finish**.
The **Video Input** window displays and the name of the device that you have configured appears.

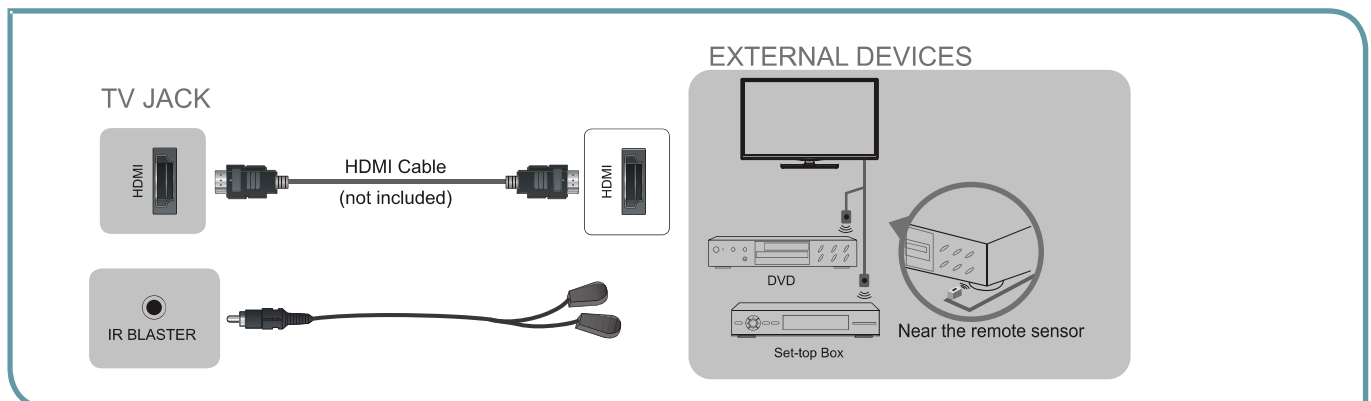


Figure 15. Connect an IR blaster cable to the TV

Connecting Your TV to a Wired or Wireless Network

Connecting to a Wireless Network

You have the option to connect your TV to a wireless or wired network.

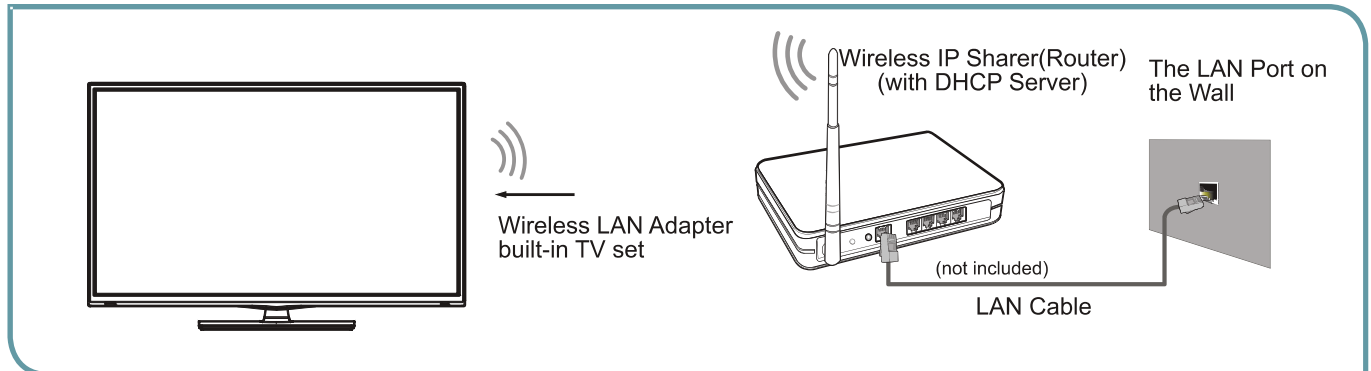


Figure 16. Connect the TV to a wireless network

Our built-in wireless LAN adapter supports the IEEE 802.11 b/g/n communication protocols and we recommend that you use an IEEE 802.11n router. When you play a video over an IEEE 802.11 b/g connection, the video may not play smoothly.

NOTE

- You must use the Hisense built-in Wireless LAN Adapter to use a wireless network because the set does not support an external USB network adapter.
- To use a wireless network, your TV must be connected to a wireless IP sharer. If the wireless IP sharer supports Dynamic Host Configuration Protocol (DHCP), your TV can use a DHCP or static IP address to connect to the wireless network.
- Select a channel for the wireless IP sharer that is not currently being used. If the channel set for the wireless IP sharer is currently being used by another device nearby, this will result in interference and communication failure.
- If you apply a security system other than the systems listed below, it will not work with the TV.
- If Pure High-throughput (Greenfield) 802.11N mode is selected and the Encryption type is set to WEP, TKIP or TKIP-AES (WPS2 Mixed) for your Access Point (AP), then the Hisense TV will not support a connection in compliance with these Wi-Fi certification specifications.
- If your access point (AP) supports Wi-Fi Protected Setup (WPS), you can connect to the network via Push Button Configuration (PBC) or PIN (Personal Identification Number). WPS will automatically configure the SSID and WPA key in either mode.

Connecting to a Wired Network

You can attach your TV to your LAN by one of the three following ways:

- You can attach your TV to your LAN by connecting the LAN port on the back of your TV to an external modem using a Cat 5 LAN cable. See the diagram below.

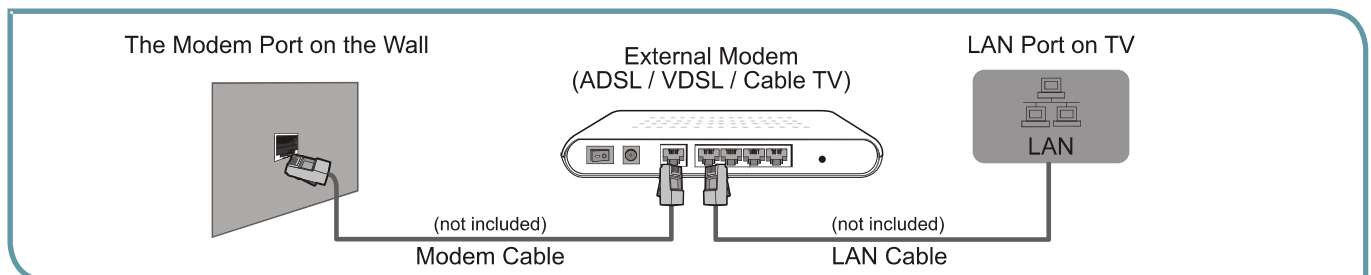


Figure 17. Connect a LAN port on the TV to an external modem