

# OWNERS MANUAL



Lucidium:fx5<sup>®</sup>  
DEEP BLACK • 1080P • LCD • TRUE 120Hz • HDTV



## Important to the user

1. This equipment has been tested and found to comply with the limits of a class B digital device, pursuant to part 15 of the FCC Rules.

The limits are designed to provide reasonable protection against harmful interference in a residential installation.

This equipment generates, uses, and can radiate radio frequency energy and, if not installed and used in accordance with the instructions, may cause harmful interference to radio communications. However, there is no guarantee that interference will not occur in a particular installation. If this equipment does cause harmful interference to radio or television reception, which can be determined by turning the equipment off and on, the user is encouraged to try to correct the interference by one or more of the following measures

1. Reorient/Relocate the receiving antenna.
  2. Increase the separation between the equipment and the receiver.
  3. Connect the equipment into an outlet on a circuit which is different from what the receiver is connected.
  4. Consult the dealer or an experienced radio/TV technician for help.
2. This device complies with Part 15 of the FCC Rules. Operation is subject to the following two conditions: (1) This device may not cause harmful interference, and (2) This device must accept any interference received, including interference that may cause undesired operation.
  3. The manufacturer is not responsible for any radio or TV interference caused by unauthorized modifications to this equipment. Such modifications could void the user's authority to operate the equipment.

## Important Safety Precautions



### CAUTION

RISK OF ELECTRIC SHOCK  
DO NOT OPEN



WARNING: TO REDUCE THE RISK OF ELECTRIC SHOCK,  
DO NOT REMOVE COVER (OR BACK);  
NO USER-SERVICEABLE PARTS INSIDE;;  
REFER SERVICING TO QUALIFIED SERVICE PERSONNEL.



The lightning flash with arrowhead symbol, within an equilateral triangle, is intended to alert the user to the presence of uninsulated "dangerous voltage" within the product's enclosure that may be of sufficient magnitude to constitute a risk of electric shock.



The exclamation point within an equilateral triangle is intended to alert the user to the presence of important operating and maintenance (servicing) instructions in the literature accompanying the appliance.



PORTABLE CART WARNING

Do not place this unit on an unstable cart, stand, tripod, bracket, or table. The unit may fall, causing serious injury to a child or adult, and serious damage to the unit. Use only with a cart, stand, tripod, bracket, or table recommended by the manufacturer or sold with the unit. Any mounting of the device should follow the manufacturer's instructions, and should use a mounting accessory recommended by the manufacturer.



### AVERTISSEMENT

DANGER D'ÉLECTROCUTION  
NE PAS OUVRIR



AVERTISSEMENT:POUR ÉLIMINER TOUT RISQUE D'ÉLECTROCUTION,  
NE PAS OUVRIR LE COUVERCLE (OU LA PARTIE ARRIÈRE). AUCUNE  
PIECE RÉPARABLE PAR L'UTILISATEUR NE SE TROUVE À L'INTÉRIEUR.  
POUR TOUTE INTERVENTION D'ENTRETIEN OU DE RÉPARATION SE  
CONFIER AUX TECHNICIENS QUALIFIÉS.



La flèche symbolisant l'éclair dans un triangle équilateral a pour objet de tirer l'attention de l'utilisateur sur le fait, qu'il y a des "tensions dangereuses" non-isolées à l'intérieurde l'enceinte du produit qui peuvent être suffisamment importantes pour conduire au risque d'électrocution.



Le point d'exclamation au sein d'un triangle équilateral a pour objet de tirer l'attention de l'utilisateur sur le fait qu'il y a des instructions de mise en service et d'entretien (de réparation) dans les fiches descriptives de l'appareil qui doivent obligatoirement être respectées.

## Important Safety Instructions

### THE FOLLOWING PRECAUTIONS AND SAFETY INSTRUCTIONS ARE REQUIREMENTS OF UL AND UL<sub>c</sub> SAFETY REGULATIONS

- Read all the safety and operating instructions before connecting or using this unit.
- Retain this notice and the owner's manual for future reference.
- All warnings on the unit and in its operating instructions should be adhered to.
- All operating and use instructions should be followed.
- Do not use this unit near water. For example, near a bathtub, washbowl, kitchen sink, laundry tub, in a wet basement, or near a swimming pool.
- The unit should be installed so that its location or position does not interfere with its proper ventilation. For example, it should not be situated on a bed, sofa, rug, or similar surface that may block the ventilation openings; or placed in a built-in installation, such as bookcase or cabinet, that may impede the flow of air around its heat sinks or through its ventilation openings.
- The unit should be situated away from heat sources such as radiators, heat registers, stoves, or other devices (including other amplifiers) that produce heat.
- The unit should be connected to a power supply outlet only of the voltage and frequency marked on its rear panel.
- The power supply cord should be routed so that it is not likely to be walked on or pinched, especially near the plug, convenience receptacles, or where the cord exits from the unit.
- Clean unit only as recommended in its instruction manual.
- The power supply cord of the unit should be unplugged from the wall outlet when it is to be unused for a long period of time and during electrical storms.
- Care should be taken so that objects do not fall, and liquids are not spilled, into the enclosure through any openings.
- This unit should be serviced by qualified service personnel when:
  - a. The power cord or the plug has been damaged; or
  - b. Objects have fallen, or liquid has been spilled, into the unit; or
  - c. The unit has been exposed to rain, or liquids of any kind; or
  - d. The unit does not appear to operate normally, or exhibits a marked change in performance; or
  - e. The device has been dropped, or the enclosure damaged.

### WARNING

TO REDUCE THE RISK OF FIRE OR ELECTRIC SHOCK, DO NOT EXPOSE THIS UNIT TO RAIN OR MOISTURE.

### AVERTISSEMENT

AFIN D'ÉVITER TOUT RISQUE D'INCENDIE OU D'ÉLECTROCUTION, NE PAS EXPOSER CET APPAREIL À LA PLUIE NI À L'HUMIDITÉ.

### CAUTION

TO PREVENT ELECTRIC SHOCK DO NOT USE THIS POLARIZED OR 3-WIRE PLUG WITH AN EXTENSION CORD, RECEPTACLE OR OTHER OUTLET UNLESS THE BLADES CAN BE FULLY INSERTED TO PREVENT BLADE EXPOSURE.

### ATTENTION

POUR PRÉVENIR LES CHOCS ÉLECTRIQUES NE PAS UTILISER CETTE FICHE POLARISÉE AVEC UN PROLONGATEUR, UNE PRISE DE COURANT OU UNE AUTRE SORTIE DE COURANT, SAUF SI LES LAMES PEUVENT ÊTRE INSÉRÉES À FOND SANS EN LAISSER AUCUNE PARTIE À DÉCOUVERT.

THERE ARE NO USER SERVICEABLE PARTS IN THIS PRODUCT. DO NOT ATTEMPT SERVICING OF THIS UNIT YOURSELF. REFER SERVICING TO QUALIFIED SERVICE PERSONNEL.

### CAUTION POWER LINES

Any outdoor antenna must be located away from all power lines.

### OUTDOOR ANTENNA GROUNDING

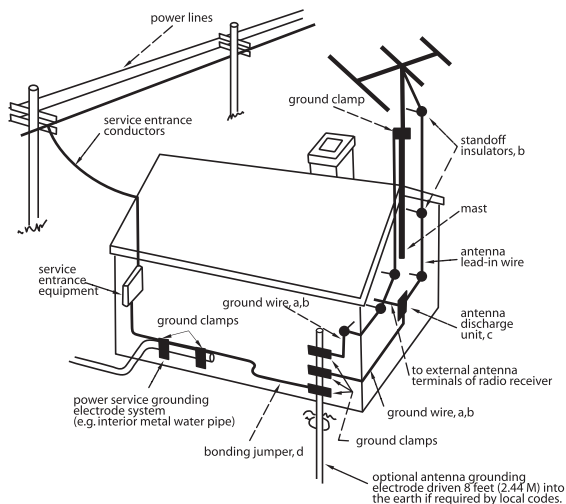
If an outside antenna is connected to your tuner or tuner/preamplifier, be sure the antenna system is grounded so as to provide some protection against voltage surges and built-up static charges. Section 810 of the National Electrical Code, ANSI/NFPA No. 701984, provides information with respect to proper grounding of the mast and supporting structure, grounding of the lead-in wire to an antenna discharge unit, size of grounding conductors, location of antenna discharge unit, connection to grounding electrodes, and requirements for the grounding electrode.

- a. Use No.10 AWG (5.3 mm<sup>2</sup>) copper, No.8 AWG (8.4 mm<sup>2</sup>) aluminum, No.17 AWG (1.0 mm<sup>2</sup>) copper clad steel or bronze wire, or larger, as a ground wire.
- b. Secure antenna lead-in and ground wires to house with stand-off insulators spaced from 4-6 feet (1.22-1.83m) apart.
- c. Mount antenna discharge unit as close as possible to where lead-in enters house.

## Important Safety Instructions

- d. Use jumper wire not smaller than No.6 AWG (13.3 mm<sup>2</sup>) copper, or the equivalent, when a separate antenna grounding electrode is used. See NEC Section 810-21 (j).

EXAMPLE OF ANTENNA GROUNDING AS PER NATIONAL ELECTRICAL CODE INSTRUCTIONS CONTAINED IN ARTICLE 810. RADIO AND TELEVISION EQUIPMENT.



### NOTE TO CATV SYSTEM INSTALLER

This reminder is provided to call the CATV system installer's attention to Article 82022 of the National Electrical Code that provides guidelines for proper grounding and, in particular, specifies that the cable ground shall be connected to the grounding system of the building, as close to the point of cable entry as practical.

### NOTE TO AUDIO SYSTEM INSTALLER

WHENEVER CONNECTIONS TO OR FROM THE MONITOR ARE BEING MADE, BE CERTAIN THAT THE ON/OFF SWITCH IS IN THE OFF POSITION, THE AC CORD OF THE MONITOR IS DISCONNECTED FROM THE AC WALL OUTLET.

Always make certain that the moitor is disconnected from the AC outlet for at least five minutes to ensure its capacitors are discharged

before making connections to and from the monitor. Failure to heed this precaution may result in damage which is not covered by the Warranty.

### FCC PART 15

**NOTE:** This equipment has been tested and found to comply with the limits for a Class B digital device, pursuant to Part 15 of the FCC Rules. These limits are designed to provide reasonable protection against harmful interference in a residential installation.

This equipment generates, uses and can radiate radio frequency energy and, if not installed and used in accordance with the instructions, may cause harmful interference to radio communications. However, there is no guarantee that interference will not occur in a particular installation. If this equipment does cause harmful interference to radio or television reception, which can be determined by turning the equipment off and on, the user is encouraged to try to correct the interference by one or more of the following measures:

- Reorient or relocate the receiving antenna.
- Increase the separation between the equipment and receiver.
- Connect the equipment into an outlet on a circuit different from that to which the receiver is connected.
- Consult the dealer or an experienced radio/TV technician for help.

### INDUSTRY CANADA (ICES-003)

This Class B digital apparatus complies with Canadian ICES-003. Cet appareil numérique de la classe B est conforme à la norme NMB-003 du Canada.



### IMPORTANT RECYCLING INSTRUCTIONS

Lamp(s) inside this product contain mercury. This product may contain other electronic waste that can be hazardous if not disposed of properly. Recycle or dispose in accordance with local, state, or federal Laws.

For more information, contact the Electronic Industries Alliance at [WWW.EIAE.ORG](http://WWW.EIAE.ORG).

For lamp specific disposal information check [WWW.LAMPRECYCLE.ORG](http://WWW.LAMPRECYCLE.ORG).

## Important Safety Instructions

### DISPOSAL OF OLD ELECTRICAL AND ELECTRONIC EQUIPMENT

(Applicable throughout the European Union and other European countries with separate collection programs)



This symbol found on your product or on its packaging, indicates that this product should not be treated as household waste when you wish to dispose of it. Instead, it should be handed over to an applicable collection point for the recycling of electrical and electronic equipment. By ensuring this product is disposed of correctly, you will help prevent potential negative consequences to the environment and human health, which could otherwise

be caused by inappropriate disposal of this product. The recycling of materials will help to conserve natural resources. This symbol is only valid in the European Union. If you wish to discard this product, please contact your local authorities or dealer and ask for the correct method of disposal.

### CLEANING YOUR LCD MONITOR

- Turn off the main power and unplug the AC cord from the wall outlet before handling.



- Use a soft cloth and gently wipe the surface of the display panel. Using a hard cloth may scratch the panel surface.
- Use a soft damp cloth to gently wipe the panel when it is really dirty. (It may scratch the panel surface when wiped strongly.)
- If the panel is dusty, use an anti-static brush, which is commercially available, to clean it.
- To protect the panel, do not use a dirty cloth, liquid cleaners or chemical cloth to clean it, such materials may damage the panel surface.
- To clean the outer cabinet, use the same method. Do not use liquid or aerosol cleaners.

## Welcome to NuVision

NuVision would like to thank you for the purchase of this high quality Full HD monitor. We sincerely hope that your NuVision Full HD monitor brings you a new world of visual and audio enjoyment. Please read this operating manual before using the product to become familiar with the correct connection of other equipment and the operation of the Full HD monitor. Please keep this operating manual handy for future reference.

## Table of Contents

<b>Introduction</b>	<b>7</b>
Features	7
NuControl Connection	8
Specifications	9
Accessories	9
<b>General Description</b>	<b>10</b>
Overview of front and right side panel	10
Overview of back panel	11
Overview of remote control	12
Using the remote control	13
Batteries for the Remote Control	13
<b>External Connection</b>	<b>15</b>
Connecting VCR	15
Connecting S-VHS VCR	16
Connecting Camcorder	17
Connecting DVD Player/Set-Top Box	18
Connecting DVD Player/Set-Top Box via DVI	19
Connecting DVD Player/Set-Top Box via HDMI	20
Connecting Digital Audio System	21
Connecting Amplifier/DVD Home Theater	21
Connecting a PC	22
<b>Supported signals</b>	<b>22</b>
<b>Basic operation</b>	<b>23</b>
Turning the monitor On and Off	23
Adjusting the volume	23
Language Setup	24
Input Settings	24
Using the on-screen display (OSD)	25
Adjusting the picture	26
Selecting a picture mode	27
Selecting the aspect ratio	27
Freezing a picture	27
Displaying video source information	27
Audio Settings	28



## Table of Contents

Setting the sleep timer	29
Function Settings	30
PIP/PBP Mode Settings	31
Screen Settings	32
PC Settings	33
<b>Troubleshooting</b>	<b>34</b>

**Notes:** If you are using this monitor for the first time, please read the basic operating instructions before operating the set.

## Introduction

### Features

- 42", 47", 52" TFT LCD display
- Full HD monitor Compatible (480i, 480p, 576i, 576p, 720p, 1080i, 1080p)
- Can be connected to a PC
- Ultra-thin and ultra-light weight for easy wall mounting
- 16:9 wide screen (480i, 480p, 576i, 576p, 720p, 1080i, 1080p)
- Temporal and spatial Digital Noise Reduction image processing
- Pixel-based motion and edge adaptive deinterlacing
- Advanced Chroma Processing
- SRS TruSurroundXT™ audio processing
- HDMI™ (Deep Color, x.v.Color™)
- Coaxial digital audio output

### INPUT / OUTPUT TERMINALS

Digital Audio output x 1

VGA input (DB-15 for PC) x 1

COMPONENT (YPbPr/YCbCr) input x 2

COMPOSITE A/V in x 2 out x 1

NuControl Interface for IR input/pass through and RS-232 control

S-Video input x 1

HDMI v1.3a input x 3

Analog Audio inputs x 5

## Introduction

### Note:

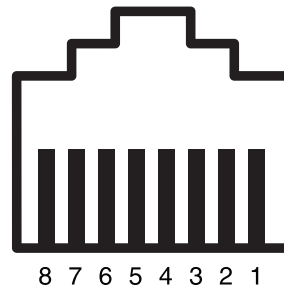
1. When connecting a DVI signal via an HDMI input you must connect the analog audio to the AUDIO IN jack of the VGA input at the A/V Input jacks.
2. The A/V Output jacks follow the main picture source. The COMPONENT, VGA and HDMI signals will not appear.
3. Use AV1 L/R audio connections when connecting to S-VIDEO jack on NetWorx port

## NuControl Connection

**NOTE:** This connector is not an Ethernet connection. Do not connect this port to an Ethernet connection, damage can occur to the TV and the Ethernet port.

### Female RJ45:

1. IR IN with carrier
2. RS-232 TXD (From TV)
3. RS-232 RXD (To TV)
4. IR IN no carrier
5. GND
6. IR OUT no carrier
7. IR OUT with carrier
8. +5VDC @100mA out (From TV)



# Introduction

## Specifications

Description	NVU42FX5	NVU47FX5	NVU52FX5
Display screen type	Thin Film Transistor Liquid Crystal Display		
Display size	42" Diagonal	47" Diagonal	52" Diagonal
LCD panel resolution	1920 x 1080, 1.04 billion colors		
Image control	NiDO, DSDB, DCS, FX5, FFM, NuColor x.v.		
Power supply	100~240 VAC 50/60Hz		
Video IN	NTSC 3.58, NTSC 4.43, PAL		
Speaker output power	2 x 7W	2 x 7W	2 x 7W
Max Power consumption	250W (1.8W Standby)	TBD	TBD
Dimensions (L x W x H)	with stand 40.5" x 12.2" x 29" without stand 40.5" x 4.4" x 26.9"	44.9" x 12.6" x 31.9" 44.9" x 4.6" x 29.5"	50.2" x 12.6" x 35.4" 50.2" x 4.6" x 33.1"
Weight (Net weight)	with stand 27.2Kg / 60lbs without stand 23.7Kg / 52.3lbs	36.3Kg / 80.1lbs 31Kg / 68.4lbs	41.5Kg / 91.5lbs 36.5Kg / 79.9lbs
Operation environment temperature	32° - 104° F		

Specifications are subject to change without notice.

## Accessories

Please make sure the following items are included with your LCD monitor. If any items are missing, contact your dealer.



Remote Control &  
Batteries (AAA x 2)



Power Cord



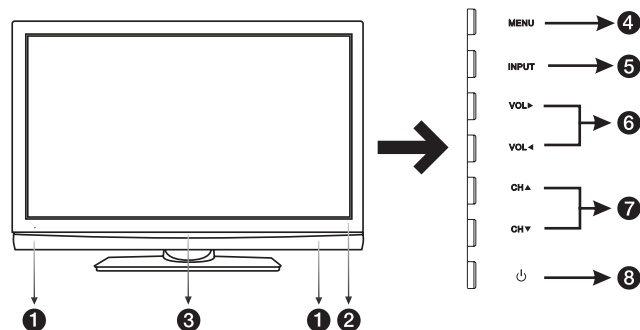
Owner's  
Manual



Warranty Statement,  
Warranty Registration Card,  
Quick Reference Guide

## General Description

### Overview of front and right side panel



#### ❶ SPEAKER

#### ❷ REMOTE CONTROL SENSOR

Aim the remote control towards this spot on the monitor.

#### ❸ POWER INDICATOR

Can be turned off in the Menu  
Blue: In power on mode.  
Red: In standby mode.

#### ❹ MENU

Press to display the On-Screen Menu system

#### ❺ INPUT

Displays all the available inputs (AV, S-Video, Component, VGA, HDMI)

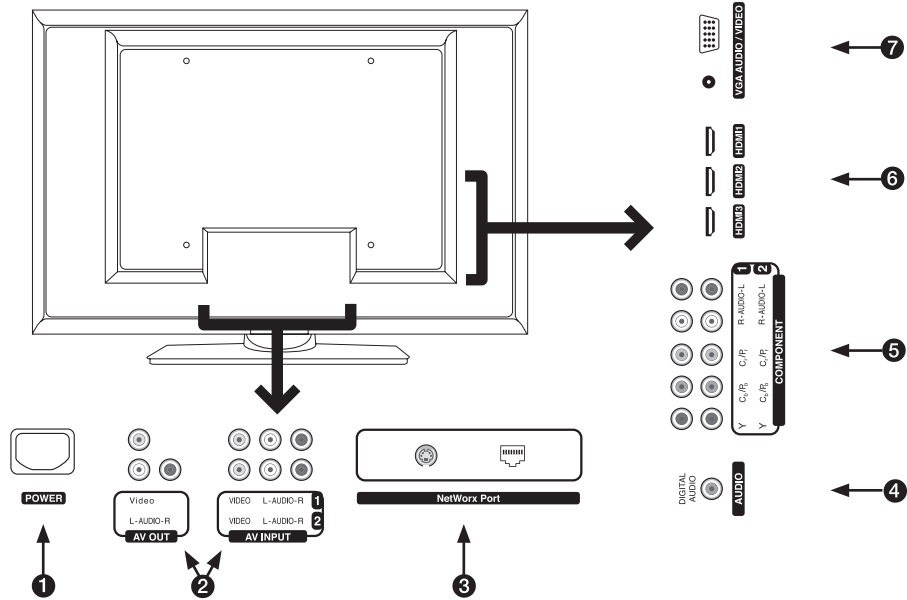
❻ Press VOL◀/▶ to increase or decrease the volume. In the on-screen menu, use the VOL◀/▶ buttons as left/right arrow buttons.

❼ In the on-screen menu, use the CH▲/▼ buttons as up/down arrow buttons.

❽ ⏻ Standby button  
Press ⏻ button to toggle between normal and standby mode.

# General Description

## Overview of back panel

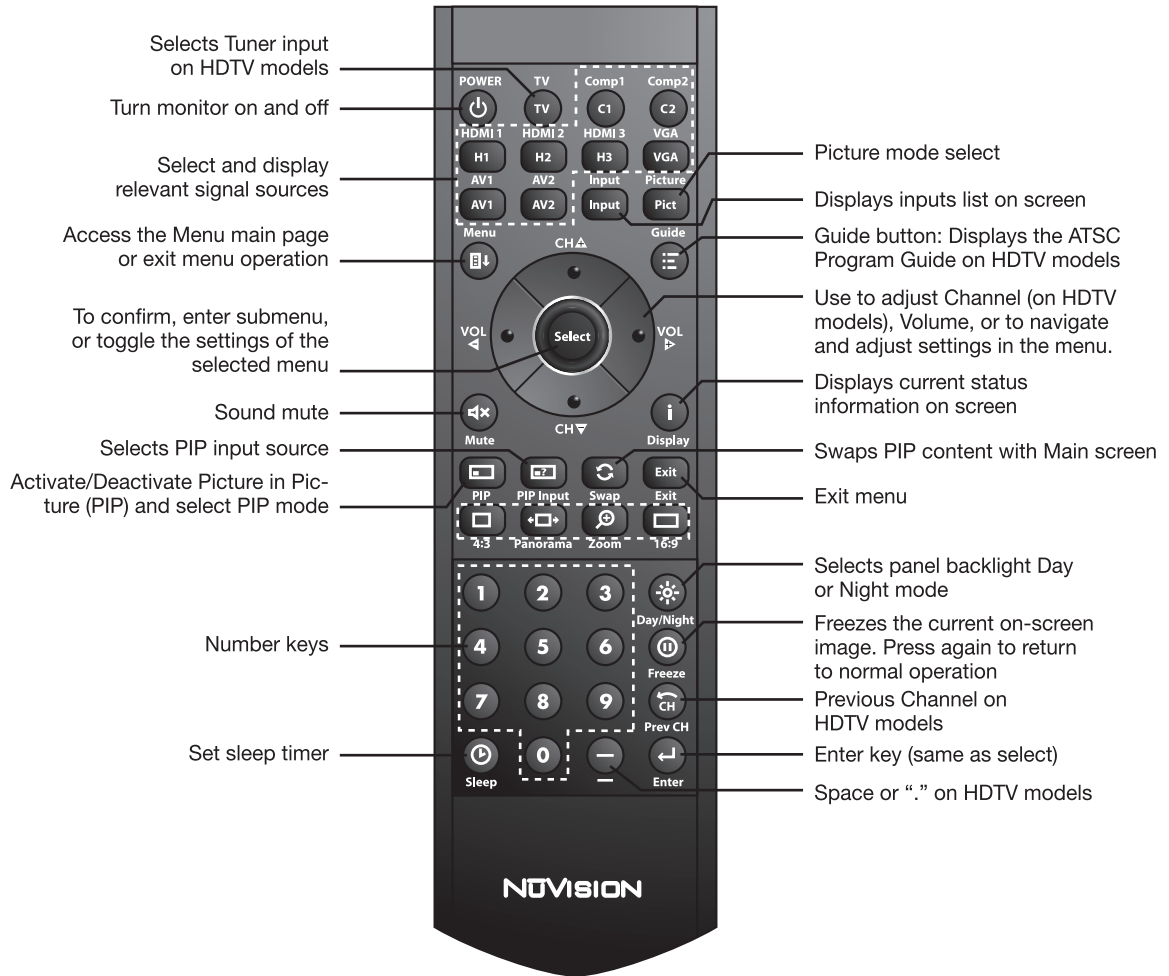


<b>1</b> AC INPUT	Connect the power cord to this connector.
<b>2</b> AV input / output	Connect a Video device to this jack.
<b>3</b> NetWorx Port	NuControl port. Allows IR and RS232 control of NuVision monitor and external devices. Also contains an S-VIDEO jack.
<b>4</b> Digital Audio output	Coaxial digital audio output.
<b>5</b> Component	Connect a Component video device to this jack.
<b>6</b> HDMI	Connect an HDMI device to this jack.
<b>7</b> VGA input VGA Audio input	Connect the video from a computer to this jack. Connect analog audio from a PC to this jack.

NOTE: The above illustration is for reference only, please refer to the actual monitor to determine location.

# General Description

## Overview of remote control



## Accessories

### Using the remote control

- Operate the remote control by pointing it toward the remote sensor window of the set. Objects between the remote control and sensor window may prevent proper operation.

**Note:** This illustration is for reference only. The remote sensor may be in different locations on different models.



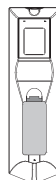
### Cautions regarding use of remote control

- Do not expose the remote control to shock. In addition, do not expose the remote control to liquids, and do not place in an area with high humidity.
- Do not install or place the remote control under direct sunlight. The heat may cause deformation of the unit.
- The remote control may not work properly if the remote sensor window of the main unit is under direct sunlight or strong lighting. In such a case, change the angle of the lighting or the LCD monitor, or operate the remote control closer to the remote sensor window.

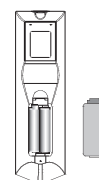
### Batteries for the Remote Control

If the remote control fails to operate, replace the batteries in the remote control.

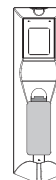
- ① Open the battery cover.
- ② Insert two AAA batteries. Be sure to observe the correct polarity as marked inside the battery compartment.
- ③ Replace the cover.



①



②



③

## General Description

### Batteries for the Remote Control

#### **Precautions on battery use**

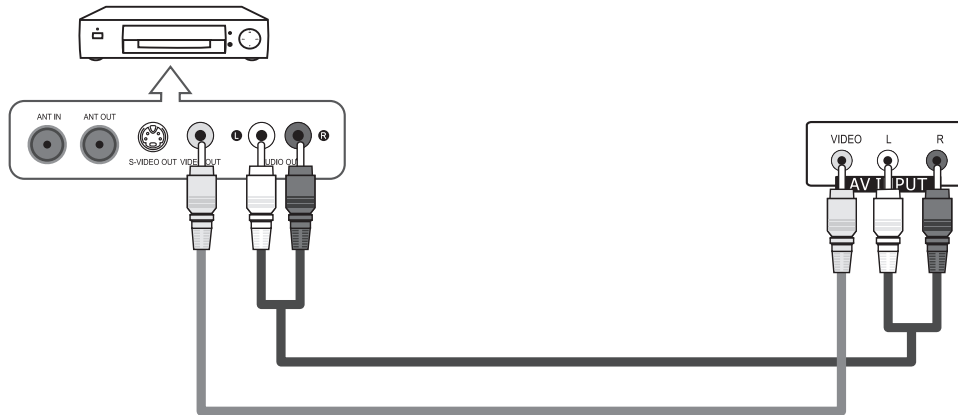
Improper use of batteries can result in a leakage of chemicals and/or explosion. Be sure to follow the instructions below.

- Place batteries with their terminals corresponding to the (+) and (-) indications.
- Different types of batteries have different characteristics. Do not mix batteries of different types.
- Do not mix old and new batteries. Mixing old and new batteries can shorten the life of new batteries and/ or cause old batteries to leak chemicals.
- Remove dead batteries immediately. Chemicals that leak from batteries can strongly irritate skin. If skin is exposed to these chemicals immediately wash thoroughly with soap and water. Remove any chemical residue on remote control surfaces with a cloth.
- If chemical leakage is found, wipe with a cloth.
- The batteries supplied with the product may have a shorter life expectancy due to storage conditions.
- If the remote control is not used for an extended period of time, remove the batteries from the remote control.



## External Connection

### Connecting a VCR

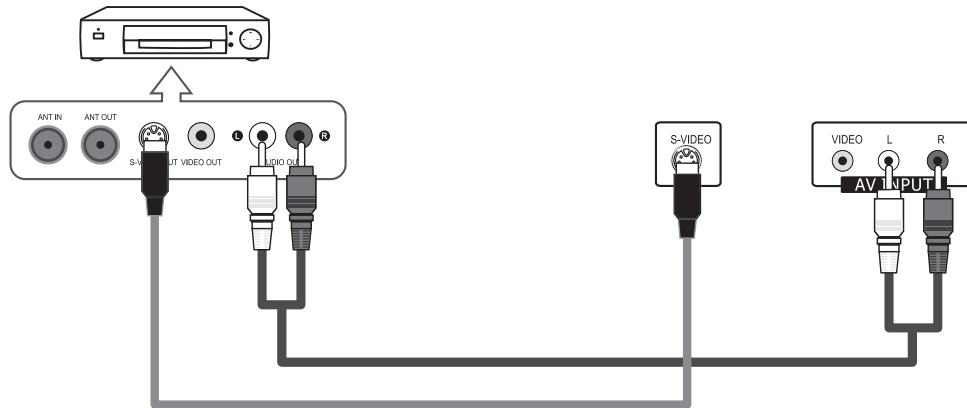


Each VCR has a different back panel configuration.

- When connecting a VCR, match the color of the connection terminal to the cable.
1. Connect a Video Cable between the **VIDEO OUT** jack on the **VCR** and the **VIDEO IN** jack on the monitor.
  2. Connect Audio Cables between the **AUDIO OUT** jacks on the **VCR** and the **AUDIO L** and **AUDIO R** jacks on the monitor.
- If you have a mono (non-stereo) VCR, use a Y-connector (not supplied) to connect to the right and left audio input jacks of the monitor or plug a mono cable into the Left audio input jack. If your VCR is stereo, you must connect two cables.

## External Connection

### Connecting an S-VHS VCR



**Your monitor can be connected to an S-Video signal from a DVD, S-VHS, or Set Top Box. (This connection delivers a better picture as compared to a composite video connection)**

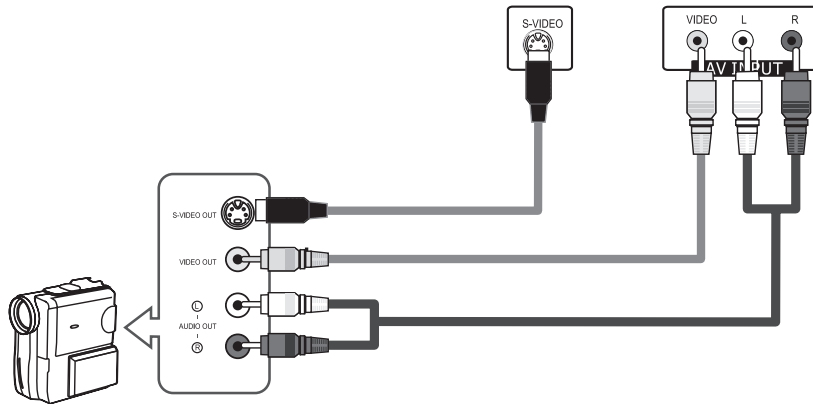
An S-Video cable is usually included with an S-VHS VCR. (If not, check your local electronics store.)

Each S-VHS VCR has a different back panel configuration.

- When connecting an S-VHS VCR, match the color of the connection terminal to the cable.
1. Connect an S-Video Cable between the **S-VIDEO OUT** jack on the VCR and the **S-VIDEO** jack on the monitor .
  2. Connect Audio Cables between the **AUDIO OUT** jacks on the VCR and the **AUDIO L** and **AUDIO R** jacks of the AV input on the monitor.

## External Connection

### Connecting a Camcorder



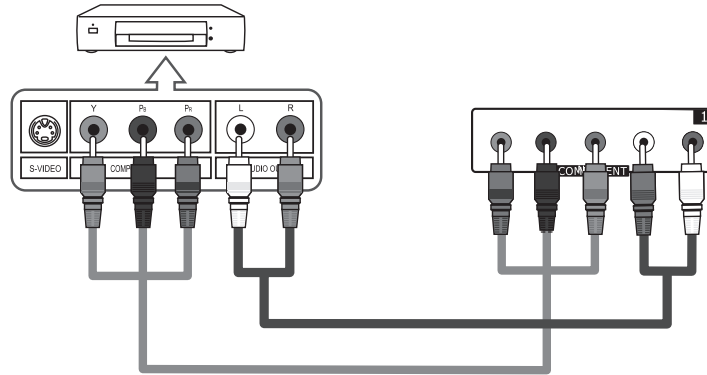
**The rear panel jacks on your monitor make it easy to connect a camcorder to your monitor. They allow you to view the camcorder tapes without using a VCR.**

Each Camcorder has a different back panel configuration.

- When connecting a Camcorder, match the color of the connection terminal to the cable.
1. Connect a Video Cable (or S-Video Cable) between the **VIDEO** or **S-VIDEO** jack on the monitor and the **VIDEO OUT** (or **S-VIDEO OUT**) jack on the camcorder.
  2. Connect Audio Cables between the **AUDIO OUT** jacks on the camcorder and the **AUDIO L** and **AUDIO R** jacks on the monitor.

## External Connection

### Connecting a DVD Player / Set-Top Box via Component



**The rear panel jacks on your monitor make it easy to connect a DVD player or Set-Top Box.**

- Component video separates the video into Y (Luminance), Pb (Blue) and Pr (Red) for enhanced video quality.
  - Be sure to match the component video and audio connections.
  - For example, if connecting the video cable to **COMPONENT 1 IN**, connect the audio cable to **COMPONENT 1 IN** also.
  - Each DVD player/Set-Top Box has a different back panel configuration.
  - When connecting a DVD player/Set-Top Box, match the color of the connection terminal to the cable.
1. Connect a Component Cable between the **COMPONENT IN** [Y, Pb, Pr] jacks on the monitor and the **COMPONENT** [Y, Pb, Pr] jacks on the DVD player.
  2. Connect Audio Cables between the **COMPONENT IN [R / L AUDIO]** jacks on the monitor and the **AUDIO OUT** jacks on the DVD player.