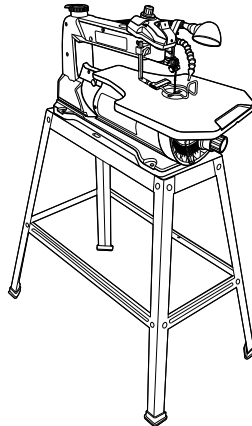


HITACHI

Model	CW 40	Scroll saw
Modèle		Scie à découper
Modelo		Sierra caladora de banco



INSTRUCTION MANUAL AND SAFETY INSTRUCTIONS

WARNING

Improper and unsafe use of this power tool can result in death or serious bodily injury!
This manual contains important information about product safety. Please read and understand this manual before operating the power tool. Please keep this manual available for others before they use the power tool.

MODE D'EMPLOI ET INSTRUCTIONS DE SECURITE

AVERTISSEMENT

Une utilisation incorrecte et dangereuse de cet outil motorisé peut entraîner la mort ou de sérieuses blessures corporelles!
Ce mode d'emploi contient d'importantes informations à propos de la sécurité de ce produit. Prière de lire et d'assimiler ce mode d'emploi avant d'utiliser l'outil motorisé. Garder ce mode d'emploi à la disponibilité des autres utilisateurs avant qu'ils utilisent l'outil motorisé.

MANUAL DE INSTRUCCIONES E INSTRUCCIONES DE SEGURIDAD

ADVERTENCIA

¡La utilización inapropiada e insegura de esta herramienta eléctrica puede resultar en lesiones serias o en la muerte!
Este manual contiene información importante sobre la seguridad del producto. Lea y comprenda este manual antes de utilizar la herramienta eléctrica. Guarde este manual para que puedan leerlo otras personas antes de que utilicen la herramienta eléctrica.

CONTENTS

English

SECTION	PAGE	SECTION	PAGE
Product Specifications	3	Know Your Scroll Saw	9
Power Tool Safety	4	Glossary of Terms	10
Scroll Saw Safety	5	Assembly and Adjustments	11
Electrical Requirements and Safety	6	Operation	16
Accessories and Attachments	7	Maintenance	19
Tools Needed for Assembly	7	Troubleshooting Guide	20
Carton Contents	8	Parts List	57

HITACHI AUTHORIZED SERVICE CENTERS

Service under this warranty is available from Hitachi Koki U.S.A., Ltd. at:

IN THE U.S.A.

3950 Steve Reynolds Blvd. Norcross, GA 30093

9409 Owensmouth Ave. Chatsworth, CA 91311

OR CALL: (800) 546-1666 for a service center nearest you.

IN CANADA

6395 Kestrel Road Mississauga, ON L5T 1Z5

OR CALL: (800) 970-2299 for a service center nearest you.

TABLE DES MATIERES

Français

SECTION	PAGE	SECTION	PAGE
Spécifications produit	21	Apprendre à connaître la scie à découper...	27
Consignes de sécurité relatives aux outils électriques	22	Glossaire des termes	28
Consignes de sécurité relatives à la scie à découper.....	23	Assemblage et réglages	29
Exigences électriques et sécurité	24	Utilisation	34
Accessoires	25	Entretien	37
Outils nécessaires pour le montage	25	Guide de dépannage	38
Contenu de l'emballage	26	Liste des pièces	57

CENTRES TECHNIQUES HITACHI AGREES

La réparation est réalisée dans le cadre de cette garantie par Hitachi Koki U.S.A., Ltd. :

AUX ETATS-UNIS

3950 Steve Reynolds Blvd. Norcross, GA 30093

9409 Owensmouth Ave. Chatsworth, CA 91311

OU APPELEZ LE: (800) 546-1666 pour connaître le centre technique le plus proche de chez vous.

AU CANADA

6395 Kestrel Road Mississauga, ON L5T 1Z5

OU APPELEZ LE: (800) 970-2299 pour connaître le centre technique le plus proche de chez vous.

ÍNDICE

Español

SECCIÓN	PÁGINA	SECCIÓN	PÁGINA
Especificaciones del producto	39	Conozca su sierra caladora de banco	45
Seguridad de la herramienta eléctrica	40	Glosario de Términos.....	46
Seguridad en el manejo de la sierra caladora de banco.	41	Montaje y ajustes	47
Requisitos eléctricos y seguridad	42	Funcionamiento	52
Accesorios	43	Mantenimiento	55
Herramientas necesarias para el montaje	43	Guía de solución de problemas	56
Contenido de la caja	44	Lista de piezas	57

CENTROS DE SERVICIO AUTORIZADOS DE HITACHI

Hitachi Koki U.S.A. Ltd. proporciona un servicio de reparaciones bajo esta garantía en:

EN EE. UU.

3950 Steve Reynolds Blvd. Norcross, GA 30093

9409 Owensmouth Ave. Chatsworth, CA 91311

O LLAME AL: (800) 546-1666 para informarse del centro de reparaciones más cercano.

EN CANADA

6395 Kestrel Road Mississauga, ON L5T 1Z5

O LLAME AL: (800) 970-2299 para informarse del centro de reparaciones más cercano.

 **WARNING**

Some dust created by power sanding, sawing, grinding, drilling and other construction activities contains chemicals (known to the State of California) to cause cancer, birth defects or other reproductive harm. Some examples of these chemicals are:

- Lead based paints
- Crystalline silica from bricks, cement and other masonry products
- Arsenic and chromium from chemically treated lumber

Your risk from these exposures varies, depending on how often you do this type of work. To reduce your exposure to these chemicals, work in a well-ventilated area and work with approved safety equipment, such as dust masks that are specially designed to filter out microscopic particles.

PRODUCT SPECIFICATIONS

MOTOR

Power Source..... 120V AC, 60HZ, 1.6Amp
 Speed (no load)..... 400~1600 SPM
 Speed Control Electric

BLADE

Type..... Pin-end or Plain-end
 Depth of Throat..... 16 in.
 Blade Stroke..... 11/16 in.
 Depth of 45° Cut..... 1-1/16 in. Left ; 3/4 in. Right
 Depth of 90° Cut..... 2-1/8 in.

TABLE

Size..... 12-3/16 in. x 18-7/8 in.
 Tilt..... 45° Left ; Right
SAWDUST BLOWER..... Yes
WORK LIGHT..... Yes
NET WIGHT..... 46.4 LB (21 kg)

 **WARNING**

To avoid electrical hazards, fire hazards or damage to the scroll saw, use proper circuit protection.

This tool is wired at the factory for 110-120 Volt operation. It must be connected to a 110-120 Volt / 15 Ampere time delay fuse or circuit breaker. To avoid shock or fire, replace power cord immediately if it is worn, cut or damaged in any way.

Before using your scroll saw, it is critical that you read and understand these safety rules. Failure to follow these rules could result in serious injury to you or damage to the scroll saw.

POWER TOOL SAFETY

GENERAL SAFETY INSTRUCTIONS BEFORE USING THIS POWER TOOL

Safety is a combination of common sense, staying alert and knowing how to use your power tool.

WARNING

To avoid mistakes that could cause serious injury, do not plug the tool in until you have read and understood the following.

1. **READ** and become familiar with the entire Operator's Manual. **LEARN** the tool's application, limitations and possible hazards.
2. **KEEP GUARDS IN PLACE** and in working order.
3. **REMOVE ADJUSTING KEYS AND WRENCHES.** Form the habit of checking to see that keys and adjusting wrenches are removed from the tool before turning ON.
4. **KEEP WORK AREA CLEAN.** Cluttered areas and benches invite accidents.
5. **DO NOT USE IN DANGEROUS ENVIRONMENT.** Do not use power tools in damp or wet locations, or expose them to rain. Keep work area well lighted.
6. **KEEP CHILDREN AWAY.** All visitors should be kept a safe distance from work area.
7. **MAKE WORKSHOP CHILD PROOF** with padlocks, master switches, or by removing starter keys.
8. **DO NOT FORCE THE TOOL.** It will do the job better and safer at the rate for which it was designed.
9. **USE THE RIGHT TOOL.** Do not force tool or attachment to do a job for which it was not designed.
10. **USE PROPER EXTENSION CORD.** Make sure your extension cord is in good condition. When using an extension cord, be sure to use one heavy enough to carry the current your product will draw. An undersized cord will result in a drop in line voltage and in loss of power that will cause the tool to overheat. The table on page 5 shows the correct size to use depending on cord length and nameplate ampere rating. If in doubt, use the next heavier gauge. The smaller the gauge number, the heavier the cord.
11. **WEAR PROPER APPAREL.** Do not wear loose clothing, gloves, neckties, rings, bracelets or other jewelry that may get caught in moving parts. Non-slip footwear is recommended. Wear protective hair covering to contain long hair.
12. **ALWAYS WEAR EYE PROTECTION.** Any Scroll Saw can throw foreign objects into the eyes that could cause permanent eye damage. **ALWAYS** wear Safety Goggles (not glasses) that comply with ANSI Safety standard Z87.1 Everyday eyeglasses have only impact-resistance lenses. They **ARE NOT** safety glasses. **NOTE:** Glasses or goggles not in compliance with ANSI Z87.1 could cause serious injury.
13. **WEAR A FACE MASK OR DUST MASK.** Sawing operation produces dust.
14. **SECURE WORK.** Use clamps or a vise to hold work when practical. It's safer than using your hand and it frees both hands to operate tool.
15. **DISCONNECT TOOLS** before servicing; when changing accessories such as blades, bits, cutters, and the like.
16. **REDUCE THE RISK OF UNINTENTIONAL STARTING.** Make sure switch is in OFF (O) position before plugging in.
17. **USE RECOMMENDED ACCESSORIES.** Consult the Operator's Manual for recommended accessories. The use of improper accessories may cause risk of injury to persons.
18. **NEVER STAND ON TOOL.** Serious injury could occur if the tool is tipped or if the cutting tool is unintentionally contacted.
19. **CHECK FOR DAMAGED PARTS.** Before further use of the tool, a guard or other part that is damaged should be carefully checked to determine that it will operate properly and perform its intended function – check for alignment of moving parts, binding of moving parts, breakage of parts, mounting, and any other conditions that may affect its operation. A guard or other part that is damaged should be properly repaired or replaced.
20. **NEVER LEAVE TOOL RUNNING UNATTENDED. TURN POWER "OFF".** Do not leave tool until it comes to a complete stop.
21. **DO NOT OVERREACH.** Keep proper footing and balance at all times.
22. **MAINTAIN TOOLS WITH CARE.** Keep tools sharp and clean for best and safest performance. Follow instructions for lubricating and changing accessories.
23. **DIRECTION OF FEED.** Feed work into a blade or cutter against the direction of rotation of the blade or cutter only.
24. **DO NOT OPERATE** the tool if you are under the influence of any drugs, alcohol or medication that could affect your ability to use the tool properly.
25. **DUST** generated from certain materials can be hazardous to your health. Always operate the saw in well-ventilated area and provide for proper dust removal. Use dust collection systems whenever possible.

SCROLL SAW SAFETY

SPECIFIC SAFETY INSTRUCTIONS FOR THIS SCROLL SAW

1. **READ AND UNDERSTAND** all safety instructions and operating procedures throughout the manual.
2. **DO NOT OPERATE** the Scroll Saw until it is completely assembled and installed according to the instructions.
3. **SHOULD** any part of Scroll Saw be missing, damaged, or fail in any way, or any electrical component fail to perform properly, shut OFF (O) the switch and remove the plug from the power supply outlet. Replace missing, damaged, or failed parts before resuming operation.
4. **IF YOU ARE NOT** thoroughly familiar with the operation of a Scroll Saw, obtain advice from your supervisor, instructor or other qualified person.
5. **SERIOUS INJURY** could occur if the tool tips over or you accidentally hit the cutting tool. Do not store anything above or near the tool.
6. **AVOID INJURY** from unexpected saw movement. Place the saw on a firm level surface where the saw does not rock and bolt or clamp the saw to its support.
7. **YOUR SCROLL SAW MUST BE SECURELY FASTENED** to a stand or workbench. If there is any tendency for the stand or workbench to move during operation, the stand or workbench **MUST** be fastened to the floor.
8. **THIS SCROLL SAW** is intended for indoor use only.
9. **TENSION BLADE PROPERLY** before starting the saw. Recheck and adjust tension as needed.
10. **BLADE TEETH MUST POINT** downward toward the table.
11. **TABLE MUST BE CLEARED** of all debris before operating saw. Do not perform lay out, set up or assemble work on the table when the saw is in operation.
12. **TO PREVENT INJURIES**, avoid awkward hand or finger positions, where a sudden slip could cause a hand to move into the blade when operating the saw.
13. **HOLD WORKPIECE FIRMLY** against the table top.
14. **NEVER CUT MATERIAL** that is too small to be held safely.
15. **DO NOT USE** dull or bent blades.
16. **TURN THE SAW OFF (O) AND UNPLUG THE CORD** if the blade binds in the saw kerf while being backed out of the workpiece, usually caused by sawdust clogging the kerf. If this happens, turn OFF (O) the scroll saw and unplug the power cord. Wedge open the kerf and back the blade out of the workpiece.
17. **DO NOT** feed the material too fast while cutting. Only feed the workpiece at the rate the saw will cut.
18. **TURN THE POWER OFF**, remove the switch key and make sure the scroll saw comes to a complete stop before installing or removing an accessory, and before leaving the work area.
19. **DO NOT START** the saw with workpiece pressing against the blade. Slowly feed the workpiece into the moving blade.
20. **WHEN CUTTING** a large workpiece, **MAKE SURE** the material is supported at table height.
21. **EXERCISE CAUTION** when cutting workpieces that are round or irregularly shaped, workpieces can pinch the blade.
22. **ALWAYS** release blade tension before loosening the blade holder screw.
23. **MAKE CERTAIN** table tilting lock is tightened before starting the machine.
24. **NEVER REACH** under the scroll saw table when motor is running.
25. **CHECK FOR DAMAGED PARTS** before each use. Check for alignment of moving parts, binding of moving parts, breakage of parts, mounting or any other conditions that may affect operation. Parts that are damaged should be properly repaired or replaced before using the tool.
26. **THINK SAFETY.**

ELECTRICAL REQUIREMENTS AND SAFETY

GROUNDING INSTRUCTIONS

IN THE EVENT OF A MALFUNCTION OR BREAKDOWN, grounding provides a path of least resistance for electric currents and reduces the risk of electric shock. This tool is equipped with an electrical cord that has an equipment-grounding conductor and a grounding plug. The plug must be plugged into a matching receptacle that is properly installed and grounded in accordance with all local codes and ordinances.

DO NOT MODIFY THE PLUG PROVIDED. If it will not fit the receptacle, have the proper receptacle installed by a qualified electrician.

IMPROPER CONNECTION of the equipment grounding conductor can result in risk of electric shock. The conductor with the green insulation (with or without yellow stripes) is the equipment grounding conductor. If repair or replacement of the electrical cord or plug is necessary, do not connect the equipment grounding conductor to a live terminal.

CHECK with a qualified electrician or service person if you do not completely understand the grounding instructions, or if you are not certain the tool is properly grounded.

USE only three-wire extension cords that have three-pronged grounding plugs with three-pole receptacles that accept the tool's plug. Repair or replace damaged or worn cords immediately.

GUIDELINES FOR EXTENSION CORDS

USE THE PROPER EXTENSION CORD. Make sure your extension cord is in good condition. Use an extension cord heavy enough to carry the current your product will draw. An undersized cord will cause a drop in line voltage resulting in loss of power, overheating and burning out of the motor. The table on the right shows the correct size to use depending on cord length and nameplate ampere rating. If in doubt, use the next heavier gauge. The smaller the gauge number, the heavier the cord.

Make sure your extension cord is properly wired and in good condition. Always replace a damaged extension cord or have it repaired by a qualified technician before using it. Protect your extension cords from sharp objects, excessive heat and damp or wet areas.

Use a separate electrical circuit for your tool. This circuit must not be less than #12 wire with a 20 A time-lag fuse.

or a #14 wire with a 15 A time-lag fuse. **NOTE:** When using an extension cord on a circuit with a #14 wire, the extension cord must not exceed 25 feet in length. Before connecting the motor to the power line, make sure the switch is in the OFF (O) position and the electric current is rated the same as the current stamped on the motor nameplate. Running at a lower voltage will damage the motor. This tool is intended for use on a circuit that has a receptacle like the one illustrated in Fig. 1.

Fig. 1 shows a three-pronged electrical plug and receptacle that has a grounding conductor. If a properly grounded receptacle is not available, an adapter (Fig. 2) can be used to temporarily connect this plug to a two-contact grounded receptacle. The adapter (Fig. 2) has a rigid lug extending from it that **MUST** be connected to a permanent earth ground, such as a properly grounded receptacle box.

⚠ WARNING

In all cases, make certain the receptacle is properly grounded. If you are not sure, have a qualified electrician check the receptacle.

⚠ WARNING

This tool is for indoor use only. Do not expose to rain or use in damp locations.

Fig. 1

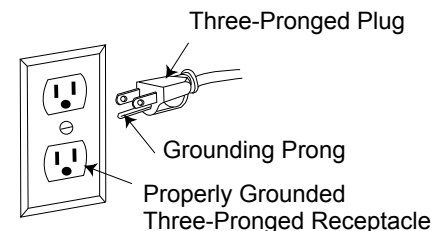
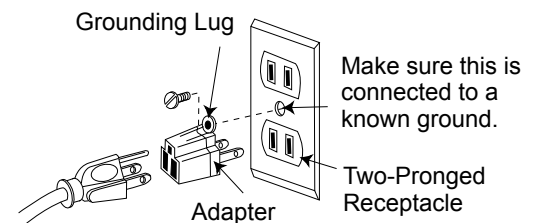


Fig. 2



CAUTION

This tool must be grounded while in use to protect the operator from electric shock.

MINIMUM GAUGE FOR EXTENSION CORDS (AWG)					
(When using 120 volts only)					
Ampere Rating		Total length of Cord			
More Than	Not More Than	25ft.	50ft.	100ft.	150ft.
0	6	18	16	16	14
6	10	18	16	14	12
10	12	16	16	14	12
12	16	14	12	Not Recommended	

ACCESSORIES AND ATTACHMENTS

RECOMMENDED ACCESSORIES

WARNING

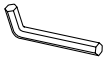
- To avoid injury, do not attempt to modify this tool or create accessories not recommended for use with this tool. Any alteration or modification is considered misuse and could result in a hazardous condition leading to possible serious injury.
- Use only the accessories recommended for this scroll saw. Follow instructions that accompany accessories. Use of improper accessories may cause hazards.

WARNING

Do not use any accessory unless you have completely read the instructions or Operator's Manual for that accessory.

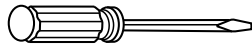
TOOLS NEEDED FOR ASSEMBLY

Supplied

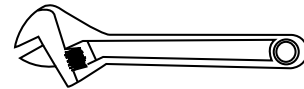


3 mm Hex Wrench

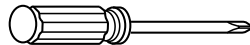
Not Supplied



Medium Screwdriver



Adjustable Wrench



#2 Phillips screwdriver

CARTON CONTENTS

UNPACKING AND CHECKING CONTENTS

⚠ WARNING

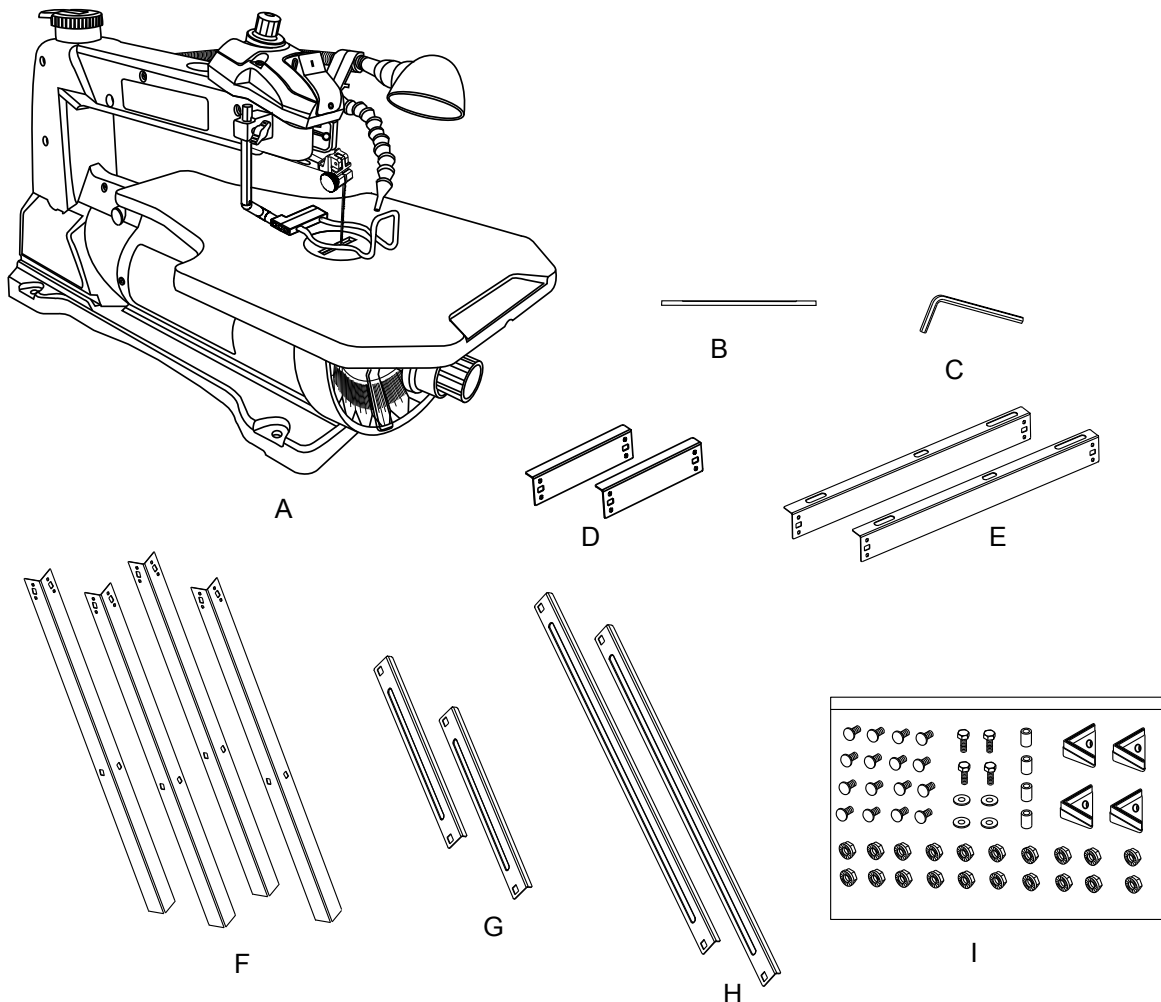
- To avoid injury, if any part is missing or damaged, do not plug the scroll saw in until the missing or damaged part is replaced, and assembly is complete.
- To avoid fire and toxic reaction, never use gasoline, naphtha, acetone, lacquer, thinner or similar highly volatile solvents to clean the scroll saw.

⚠ WARNING

Carefully unpack the scroll saw and all its parts and compare against the illustration following.

1. Remove the scroll saw from the carton by lifting the saw by the back of the upper frame.
2. Place the saw on a secure surface and examine it carefully.

UNPACKING YOUR SCROLL SAW



⚠ WARNING

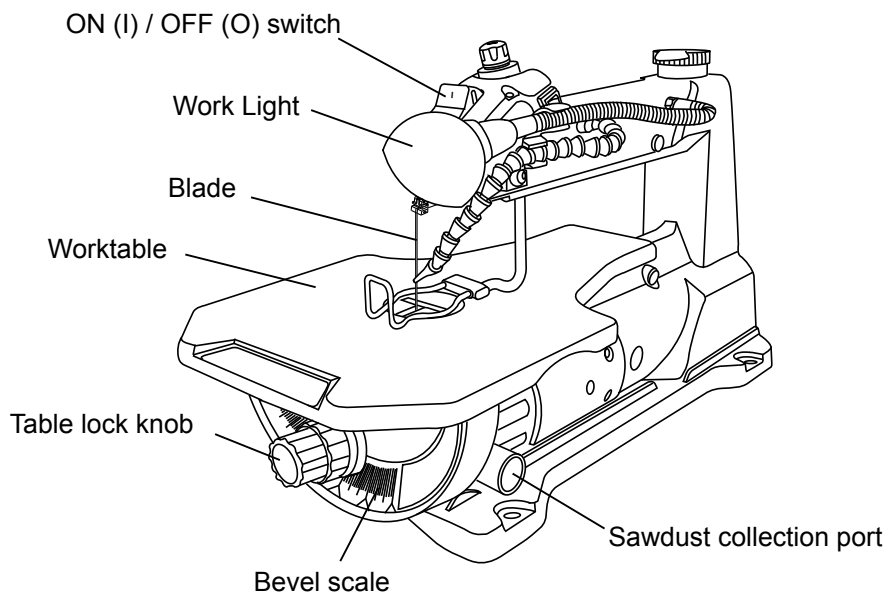
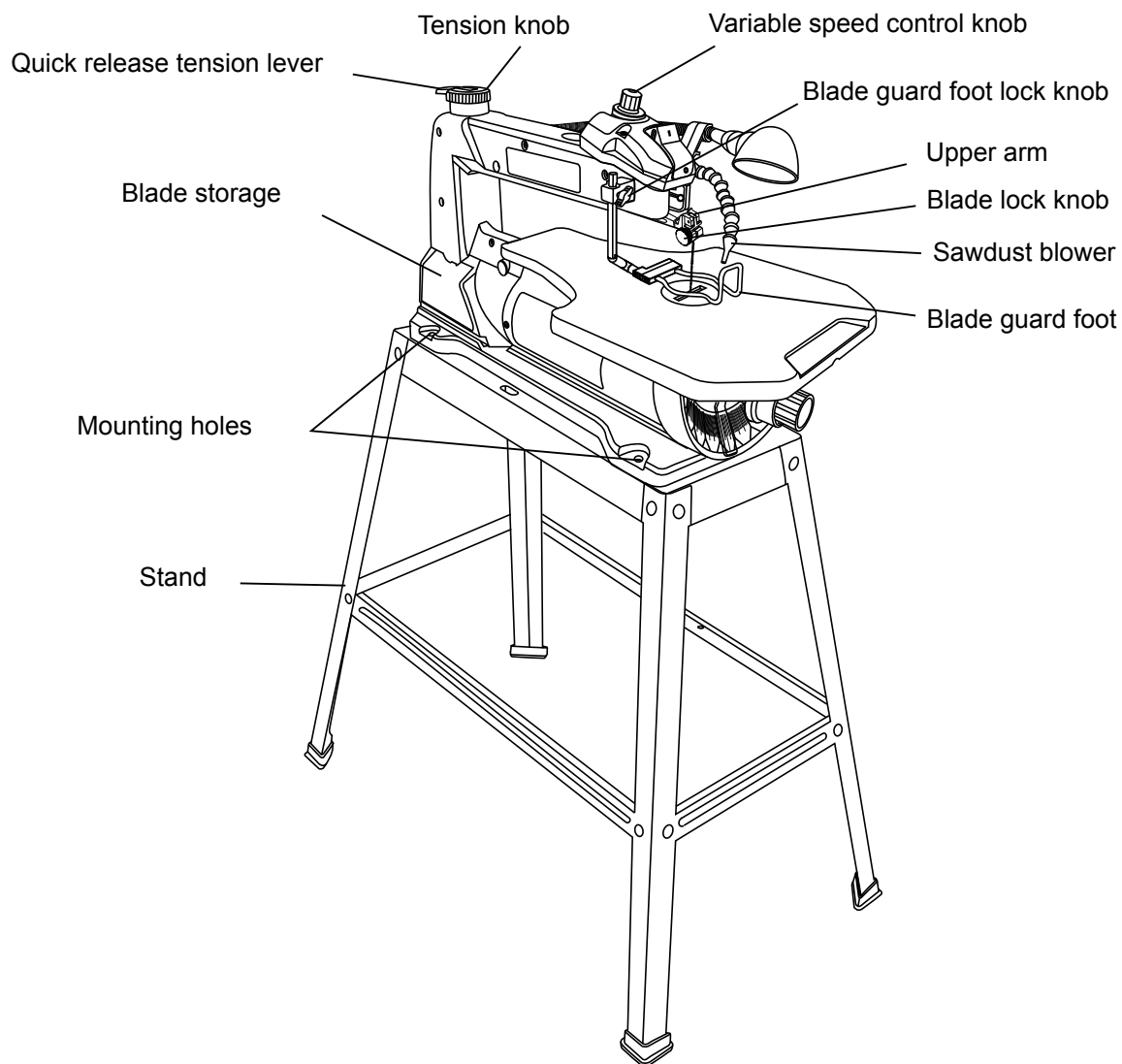
Do not lift this saw by the arm that holds the blade, this may result in damage to the tool.

ITEM	DESCRIPTION	QUANTITY
A	Scroll saw assembly	1
B	Blade	1
C	Hex wrench	1

STAND

D	Short upper support	2
E	Long upper support	2
F	Leg	4
G	Short bottom support bracket	2
H	Long bottom support bracket	2
I	Stand hardware bag	1

KNOW YOUR SCROLL SAW



GLOSSARY OF TERMS

SCROLL SAW TERMS

BEVEL SCALE – Represents the degree of table angle from 0° to 45° when the table is tilted for bevel cutting.

BLADE GUARD FOOT – Guards the blade and keeps your workpiece from rising. Helps protect fingers from blade contact.

BLADE GUARD FOOT LOCK KNOB – Allows you to raise or lower the foot and lock it at the desired height.

BLADE HOLDERS – Retain and position the blades.

BLADE STORAGE – Provides convenient easy access to extra blades or wrenches.

QUICK RELEASE TENSION LEVER – Quickly loosens and retightens the blade to its original tension. The tension lever quickly sets and resets the blade tension when performing interior cutting operations or changing blades.

SAWDUST BLOWER – Keeps sawdust from covering the line of sight for more accurate cuts. The best results occur when the blower tube is directed toward the blade and workpiece.

SAWDUST COLLECTION PORT – Allows vacuum hose or attachments to be used to remove the sawdust from under the table and base.

TABLE LOCK KNOB – Securely locks the table at the angle desired for bevel cutting.

VARIABLE SPEED CONTROL KNOB – Variable switch dial allows greater versatility when cutting a variety of materials. Adjust the speed to the desired setting, between 400 to 1600 strokes per minute (SPM), by turning the control knob clockwise or counter clockwise.

WOODWORKING TERMS

BLADE TOOTH SET – The total width the blade will cut based on the distance from the outside point of one bent tooth to the outside point of the next bent tooth establishing set of teeth.

DEFLECTION – Slight movement of blade in the horizontal direction while the blade is moving inline during cutting operation. This may be caused by the blade following the grain or the path of least resistance.

FEED – Rate of moving material to be cut into the blade.

KERF – The slot cut by the blade.

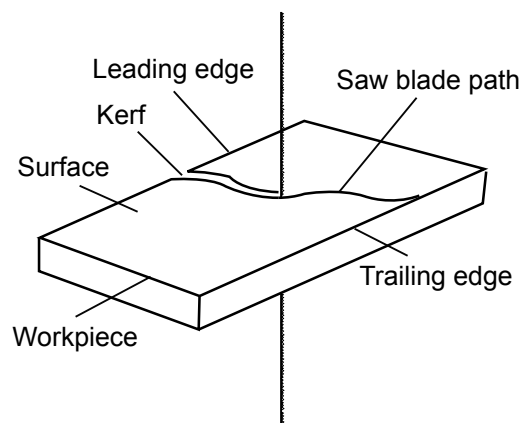
LEADING EDGE – The front edge of the workpiece that is guided into the blade.

SAW BLADE PATH – Area or line of sight of the workpiece moving in line toward the saw blade edge.

SURFACE – Top of workpiece being cut.

TRAILING EDGE – The end of the workpiece edge last cut by the saw blade.

WORKPIECE – Material on which the cutting operation is being performed.



ASSEMBLY AND ADJUSTMENTS

ESTIMATED ASSEMBLY TIME 15~20 MINUTES

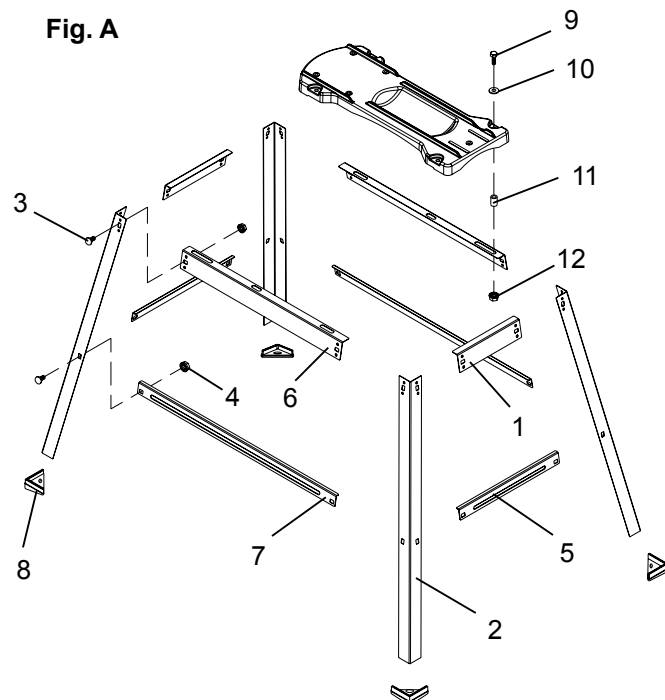
ASSEMBLE STAND (FIG. A)

1. Unpack all parts and group by type and size. Refer to the parts list for correct quantities.
2. Attach one short upper support (1) to top of leg (2) using one bolt (3) and nut (4).

NOTE:

- Align detents in stand leg with support brackets to ensure proper fit.
 - Do not tighten bolts until stand is properly aligned (see step #8 before tightening).
3. Attach other end of short upper support to top of another leg using one bolt and nut.
 4. Attach one short bottom support (5) to center of each leg using bolt (3) and nut (4). This completes the front frame section.
 5. Assemble rear frame section in exactly the same manner.
 6. Join front and rear frame assemblies using two long upper supports (6) and two long bottom supports (7), bolts and nuts.
 7. Insert foot pad (8) into bottom of leg. Repeat for each leg.
 8. Place stand on level surface and adjust so all legs are contacting the floor and are at similar angles to the floor, and detents in stand leg align with support brackets, then tighten all bolts.

NOTE: To avoid rocking, tighten all bolts.



⚠ WARNING

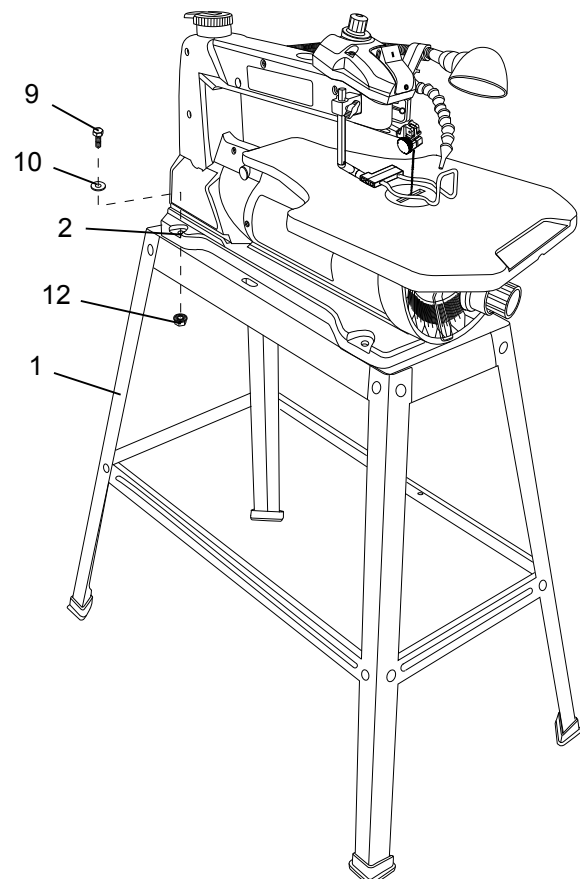
- The stand is designed only for using with scroll saw.
- Do not climb, sit or stand on the stand assembly.
- Do not use the stand on uneven or unstable surface.

MOUNTING THE SCROLL SAW (FIG. A, B)

1. To mount your scroll saw to the stand, position the leg stand (1) on a firm, level surface.
2. Matching the holes (2) in the scroll saw base with the holes in the leg stand, place the scroll saw on the stand.
3. Secure the stand and saw using the hex head bolts (9), flat washers (10), sleeve (11) and nuts (12) provided.
4. Tighten all four nuts.

NOTE: Do not over tighten nuts holding saw to stand. This may damage this saw base.

Fig. B



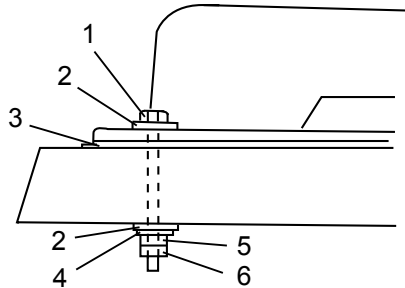
⚠ WARNING

To avoid injury, do not connect this scroll saw to the power outlet until it is completely assembled and adjusted, and you have read and understood the entire instruction manual.

MOUNTING SCROLL SAW TO WORK SURFACE (FIG. C)

1. If mounting the scroll saw to a workbench, a solid wood bench is preferred over a plywood board to reduce noise and vibration.
2. The hardware to mount this saw is NOT supplied with the saw. The hardware shown in Fig. C should be used:

Fig. C

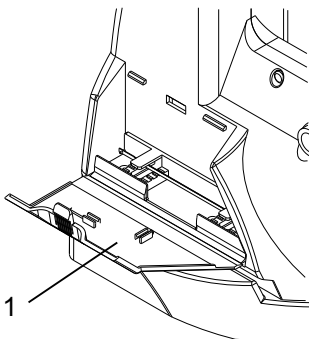


1. (3) Hex head bolts; length as required
2. (6) Flat Washers
3. Foam pad or carpet (optional)
4. (3) Lock washers
5. (3) Hex nuts
6. (3) Jam nuts

BLADE STORAGE (FIG. D)

The blade storage (1) is located on the left rear side of the scroll saw body. Pull out the blade storage (1) to open. The blade storage can conveniently store your hex wrenches and both Pin-end and Plain-end blades.

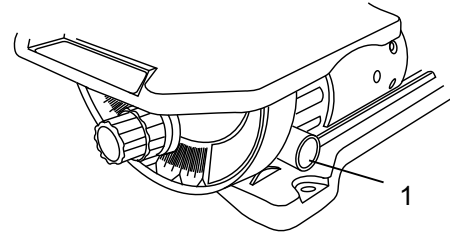
Fig. D



SAWDUST COLLECTION PORT (FIG. E)

This scroll saw will accept a hose or vacuum accessory (not provided) to be connected to the port (1) on the left side of base. If excessive sawdust buildup occurs inside the base, use a wet /dry vacuum cleaner or manually remove sawdust by removing the screws on the left side of saw. Reattach the metal plate and screws before starting the saw. This will keep your saw cutting efficiently.

Fig. E



BLADE REMOVAL AND INSTALLATION

PLAIN-END BLADE REMOVAL AND INSTALLATION

This scroll saw accepts 5-inch Plain-end or Pin-end blades to cut a wide variety of materials.

Plain-end type blades are recommended whenever fine, accurate and intricate work is being performed on 3/4 in. or thinner material. It will take slightly longer to assemble the blade and blade tension, but you will also be able to use finer blades for cutting a thinner kerf.

⚠ WARNING

To avoid injury from accidental starting, always turn the switch OFF (O) and remove power cord plug from power source before removing or replacing the blade.

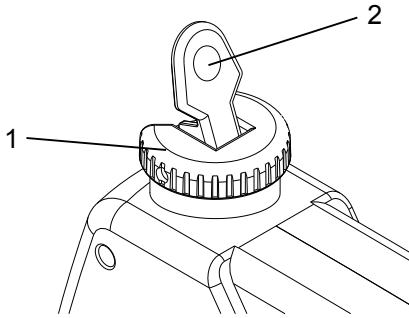
PLAIN-END BLADE REMOVAL (FIG. F, G, H)

⚠ WARNING

To avoid injury, do not touch the bottom of the tension knob (1) when operating the quick release tension lever (2).

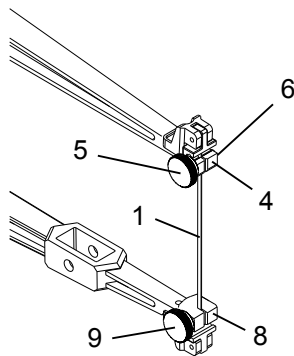
1. To remove blade, loosen the blade tension by lifting the quick release tension lever (2).

Fig. F



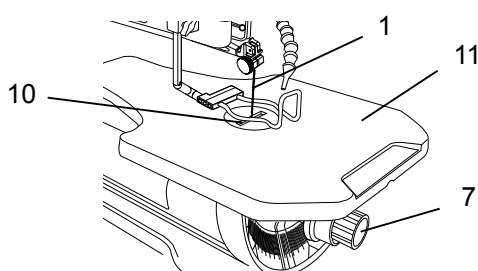
2. Loosen upper blade holder (4) by turning the blade holder lock knob (5) counterclockwise.
NOTE: The hex set screw (6) on the right side is used for fine adjustments and is only adjusted if the blade is not perpendicular to the table.

Fig. G



3. Tilt the table 0° and tighten the table lock knob (7). Loosen the lower blade holder lock knob (9) under the table on the left side of the lower blade holder (8) by turning it counterclockwise. (Fig. G, H)
4. Remove blade (1) from the upper (4) and lower blade holders (8) by pulling forward and lifting the blade through the access hole (10) in the table (11). (Fig. G, H)

Fig. H



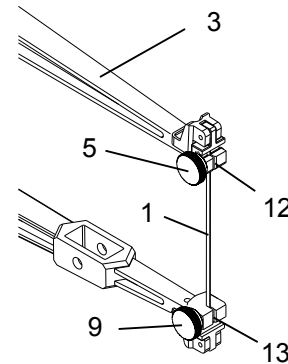
PLAIN-END BLADE INSTALLATION (FIG. H, I, J)

⚠ WARNING

In order to avoid uncontrollable lifting of the workpiece, the teeth of the blade should **ALWAYS** point downward.

1. Install the new blade (1) through the access hole (10) in the table (11) with teeth pointing down. (Fig. H)
2. Insert the new blade (1) into the lower blade holder slot (13), then tighten the lower blade holder knob (9). (Fig. I)

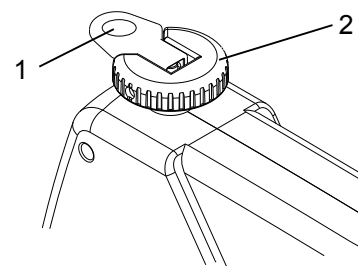
Fig. I



3. Tilt the table to 0° bevel setting and lock the bevel knob (7). (Fig. H)
4. Insert the other end of the blade into the upper blade holder slot (12-Fig. I) and then tighten the quick release tension lever (1-Fig. J).
NOTE: Apply slight downward pressure against the upper arm (3) when installing the blade into the upper blade holder. (Fig. I)
5. Tighten the tension on the blade by turning the tension knob (2) clockwise. Check the tension the blade. If too loose, turn knob clockwise. Do not make it too tight or blade will easily break in used. (Fig. J)

NOTE: The quick release lever must always be down to make the tension adjustments, Release the quick release lever upward only during blade changing operations. If the blade is over-tightened, the lever will be difficult to lower and could result in damage to the blade holder or arm assembly.

Fig. J



PIN-END BLADE REMOVAL AND INSTALLATION

WARNING

To prevent personal injury, always turn the saw OFF (O) and disconnect the plug from the power outlet before changing blades or making adjustments.

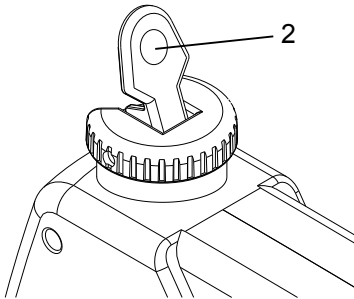
Pin-end type blades are thicker for stability and faster assembly. These blades are used whenever faster cutting on a variety of materials and 3/4 in. thickness or greater are required. Use whenever less precision or thicker kerf cutting is acceptable.

NOTE: When installing Pin-end blades, the set screws located on the upper and lower blade holders should not be over or under tightened. The slot must be slightly wider than the thickness of the blade. After the blade is installed, the blade tension mechanism will keep the Pin-end in place.

PIN-END BLADE REMOVAL (FIG. K, L)

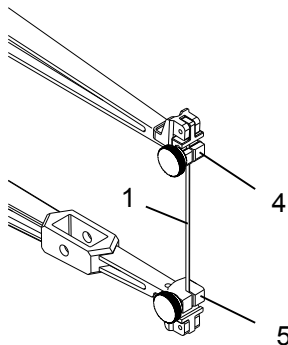
1. To remove the blade, loosen the tension by lifting the quick release tension lever (2). (Fig. K)

Fig. K



2. Remove the blade (1) from the upper (4) and lower (5) blade holder by pulling forward to release, and lift the blade through the access hole. (Fig. L)

Fig. L



3. Tilt the table to a 45° angle and lock the bevel lock knob to view lower blade holder (5) for removing the blade. (Fig. L)

NOTE: Apply slight downward pressure on the upper arm when removing blade from upper blade holder.

PIN-END BLADE INSTALLATION (FIG. M, N)

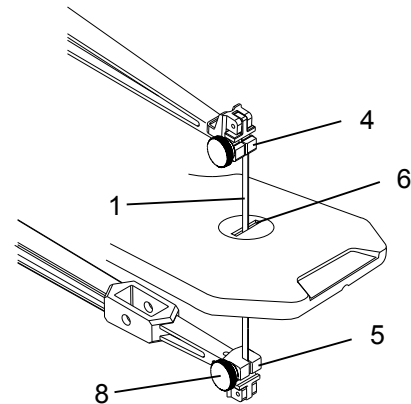
NOTE: Do not tighten the lock knobs when using Pin-end blades.

WARNING

In order to avoid uncontrollable lifting of the workpiece, the teeth of blade should always point downward.

1. Install the blade (1) by inserting one end of it through the access hole (6) or throat plate in the table. Hook the lower blade pin in the pin recess in the lower blade holder (5) and then the upper blade pin in the upper blade holder (4). (Fig. M)

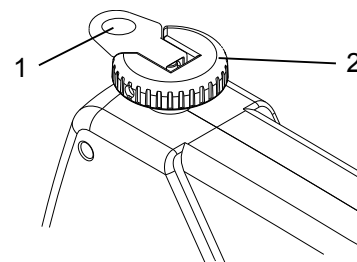
Fig. M



2. Make sure the pins are properly located in the upper (4) and the lower (5) blade holders.
3. To tension the blade (1-Fig. M), lower the quick release tension lever (1). Check the tension on the blade. If tension is too tight, turn the knob (2) counterclockwise. If tension is too loose, turn the knob (2) clockwise (Fig. N).

NOTE: If the blade is over-tightened, the lever will be difficult to lower and could result in damage to the blade holder or arm assembly.

Fig. N



BLADE GUARD FOOT ADJUSTMENT (FIG. O, P)

NOTE: User must keep constant downward pressure on workpiece when cutting. The blade guard foot is not designed to hold down the workpiece, but is rather to help prevent the workpiece from lifting up excessively.

When cutting at angles, the table guard foot (1) should be adjusted so it is parallel to the table and rests flat above the workpiece.

1. To adjust, loosen the screws (2-Fig. P), and tilt the foot so it is parallel to the table. Tighten the screw.
2. Loosen the blade guard foot lock knob (3) to raise or lower the foot until it rests slightly above the workpiece. Tighten blade guard foot lock knob.
3. To remove the blade guard foot (1), loosen the hex screws (2) by use a hex wrench to turn the screw counterclockwise. (Fig. P)

NOTE: The stopper (4) on the blade guard foot is only used for 0° cutting. To avoid the blade guard foot contact with the arm, adjust the foot to desired position when beveling.

Fig. O

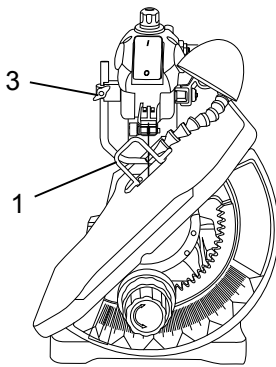
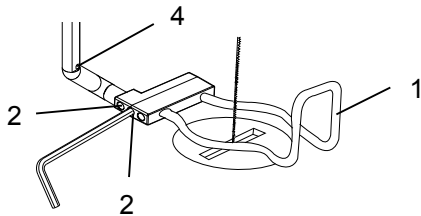


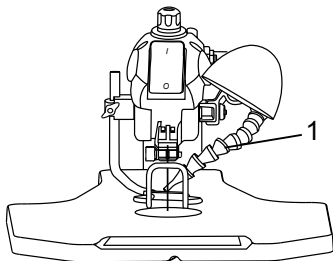
Fig. P



SAWDUST BLOWER (FIG. Q)

The sawdust blower (1) should be positioned to point to the blade and workpiece to blow sawdust out of the line of sight when cutting. It is not designed to blow all of the sawdust off the table.

Fig. Q



BLADE SELECTION (FIG. R)

WARNING

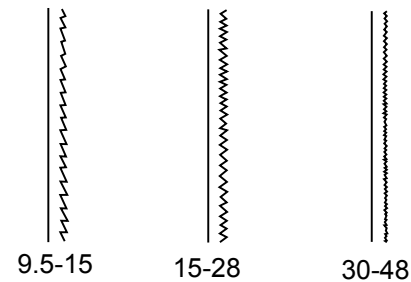
To avoid injury from accidental starting, always turn the switch OFF (O) and unplug the scroll saw before moving, replacing the blade or making adjustments.

This scroll saw accepts 5-inch length blades with a wide variety of blade thickness and widths. The type of material and cutting operations (size of radius or curve) will determine the number of teeth per inch. As a rule, always select the narrowest blades for intricate curve cutting and the widest blades for straight and large curve cutting operations.

The following table represents suggestions for various materials. When purchasing blades, refer to the back of the package for the best use of blades and speeds on various materials.

Use this table as an example, but practice and your own personal preference will determine the best selection method.

Fig. R



TEETH/ INCH TPI	BLADE WIDTH INCH	BLADE THICKNESS INCH	BLADE/ SPM	MATERIAL CUT
9.5-15	0.110	0.018	400-1200	Medium turns on 1/4 in. to 1-3/4 in. wood, soft metal, hardwood
15-28	.055-.110	.010-.018	800-1800	Small turns on 1/8 in. to 1-1/2 in. wood, soft metal, hardwood
30-48	.024-.041	.012-.019	Varies	Non-ferrous metals/hardwoods using very slow speeds

NOTE: When using blades, sometimes speeds must change to compensate for smaller curves, radii or smaller diameters. Thinner blades will have more possibilities for blade deflection when cutting angles which are not perpendicular to the table. Read BASIC SCROLL SAW OPERATION for more suggestions.

NOTE: The blade must be installed with the teeth pointing downward, as shown in Fig. R, to prevent the workpiece from being pulled upward by the saw blade action.

OPERATION

REPLACING THE BULB (FIG. S)

1. Use only a 10 watt maximum bulb. Turn the light switch (1) OFF (O) and unplug the saw.
2. Remove old bulb. Place new bulb into socket.

WARNING

- To prevent injury resulted from heat of the light bulb. Never touch the light bulb.
- To prevent electric shock. Never touch the bulb socket when the plug from the power source is connected.

ON (I) / OFF (O) SWITCH (FIG. S)

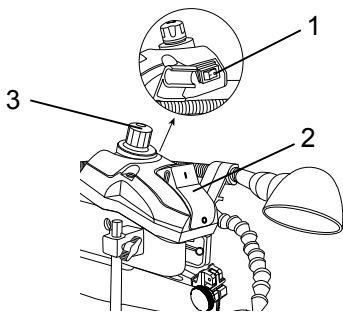
1. To turn power ON (I) or OFF (O), push the ON (I) / OFF (O) switch (2).

VARIABLE SPEED CONTROL KNOB (FIG. S)

The variable speed control allows greater versatility to cut a variety of materials such as wood, plastics, non-ferrous metals, etc. Depending on the hardness and thickness of material, the speed should be reduced to allow the blade teeth to remove cut material from the kerf.

1. Your saw is equipped with a variable speed control knob (3). The blade stroke rate may be adjusted by simply rotating the variable speed control knob (1). To increase speed, rotate dial clockwise. To reduce speed, rotate dial counterclockwise.

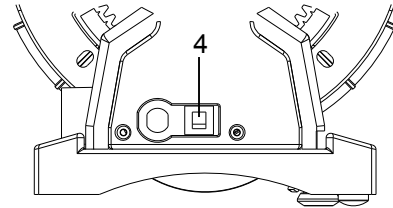
Fig. S



OVERLOAD BREAKER (FIG. S, T)

When the motor becomes too hot during operation, the overload breaker switch (4) will cause the motor to stop automatically to prevent damage to the motor. Push in the ON (I) / OFF (O) switch (2-Fig. S) to turn saw OFF (O) and do not restart until the motor has had time to cool. Push in the breaker switch (4) and switch the ON (I) / OFF (O) switch (2-Fig. S) to ON (I) to start the saw.

FIG. T



RECOMMENDATIONS FOR CUTTING

1. When feeding the workpiece into the blade do not force the leading edge of the workpiece into the blade because the blade will deflect, reducing the accuracy of cut and possibly breaking the blade. Allow the saw to cut material by guiding the workpiece into the blade as it cuts.
2. The blade teeth cut material ONLY on the down stroke.
3. You must guide the wood into the blade slowly because the teeth of the blade are very small and they can only remove wood when they are on the down stroke.
4. There is a learning curve for each person who wants to use this saw. During that period of time it is expected that some blades will break until you learn how to use the saw and receive the greatest benefit from the blades.
5. Best results are achieved when cutting wood less than one inch thick.
6. When cutting wood thicker than one inch, the user must guide the wood very slowly into the blade and take extra care not to bend or twist the blade while cutting in order to maximize blade life.
7. Teeth on scroll saw blades wear out and must be replaced frequently for best cutting results. Scroll saw blades generally stay sharp for 1/2 to 2 hours of cutting.
8. To get accurate cuts, be prepared to compensate for the blade's tendency to follow the wood grain as you are cutting.
9. This scroll saw is intended to cut wood or wood products. Precious and non-ferrous perform well on scroll saws that have very slow speed capability, and should be lubricated with machine oil or beeswax.
10. When choosing a blade to use with your scroll saw, consider very fine, narrow blades to scroll cut in thin wood 1/4 in. thick or less. Use wider blades for thicker materials but this will reduce the ability to cut tight curves.

11. This saw uses 5 in. long pin or plain end type blades.
12. Blades wear faster when cutting plywood or particle board which is very abrasive. Angle cutting in hardwoods reduces blade tooth set faster due to the blade deflection.

FREEHAND CUTTING (FIG. U)

⚠ WARNING

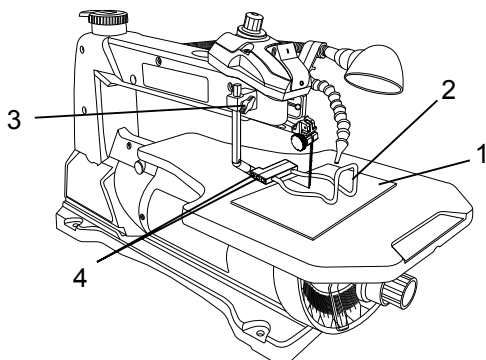
To avoid injury from an accidental start, make sure the switch is in the OFF (O) position and the plug is not connected to the power source outlet.

1. Lay out desired design, or secure design to the workpiece (1).
2. Raise the blade guard foot (2) by loosening the blade guard foot lock knob (3).
3. Position the workpiece against the blade and place the blade guard foot slightly above the top surface of the workpiece.
4. Secure the blade guard foot (2) by tightening the blade guard foot lock knob (3).
5. Remove the workpiece from the blade prior to turning the scroll saw ON (I). Pull the variable speed control knob out and set the desired speed by turning the control knob clockwise or counterclockwise.

CAUTION: In order to avoid uncontrollable lifting of the workpiece and to reduce blade breakage, do not turn saw ON (I) while the workpiece is against the blade.

6. When turning the scroll saw ON (I), position the workpiece against scrap wood prior to touching the leading edge of the workpiece against the blade.
 7. Slowly feed the workpiece into the blade by guiding and pressing the workpiece down against the table.
- CAUTION:** Do not force the leading edge of the workpiece into the blade. The blade will deflect, reducing accuracy of cut, and may break.
8. When the cut is complete, move the trailing edge of the workpiece beyond the blade guard foot. Turn the scroll saw OFF (O).

Fig. U



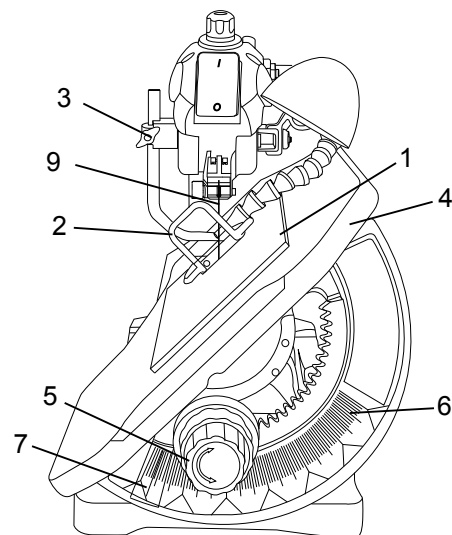
ANGLE CUTTING (FIG. U, V)

⚠ WARNING

- To avoid injury from an accidental starting, make sure the switch is in the OFF (O) position and the plug is not connected to the power source outlet before moving, replacing the blade or making adjustments.
- To avoid injury, always keep your hands off the underneath of the table during operating.

1. Lay out or secure design to workpiece (1).
2. Move the blade guard foot (2) to the highest position by loosening the blade guard foot lock knob (3) and retighten.
3. Tilt the table (4) to the desired angle by loosening the table lock knob (5) and move the table to the proper angle, using the degree scale (6) and the pointer (7).
4. Tighten the table lock knob (5).
5. Loosen the blade guard screws (4-Fig. U), and tilt the blade guard to the same angle as the table (4). Retighten the blade guard screw.
6. Position the workpiece on the left and right side of the blade (9). Lower the blade guard foot slightly above the surface by loosening the blade guard foot lock knob (3).
7. Follow items 4-8 under FREEHAND CUTTING OPERATION.

Fig. V



RIP OR STRAIGHT LINE CUTTING (FIG. W)**⚠ WARNING**

To avoid injury from accidental starting, make sure the switch is in the OFF (O) position and the plug is not connected to the power outlet before moving, replacing blade or making adjustments.

Tools Needed (Not Included)

QUANTITY	DESCRIPTION
2	Small C-clamps
1	Ruler or Measuring Tape
1	12-inch Straight Scrap of Wood (Thickness to match workpiece)

1. Raise the blade guard foot (1) by loosening the blade guard foot lock knob (2) on the right side of the upper arm. Measure from the tip of the blade (3) to the desired distance. Position the straight edge (4) parallel to the blade at that distance.
2. Clamp the straight edge to the table (5).
3. Recheck your measurements, using the workpiece to be cut, and make sure the scrap wood is secure.
4. Position the workpiece against the blade and place the blade guard foot (1) slightly above the top surface of the workpiece.
5. Secure the blade guard foot in place by tightening the blade guard foot lock knob.
6. Remove the workpiece from the blade prior to turning the scroll saw ON (I). Set the desired speed by turning the control knob clockwise or counterclockwise.

⚠ WARNING

In order to avoid uncontrollable lifting of the workpiece and to reduce blade breakage, do not turn the saw ON (I) while the workpiece is against the blade.

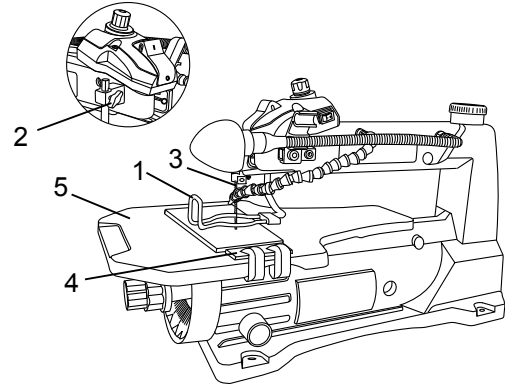
7. Position the workpiece against the straight edge (4) prior to touching the leading edge of the workpiece against the blade (3).
8. Slowly feed the workpiece into the blade, guiding the workpiece against the straight edge and press the workpiece down against the table while cutting.

⚠ WARNING

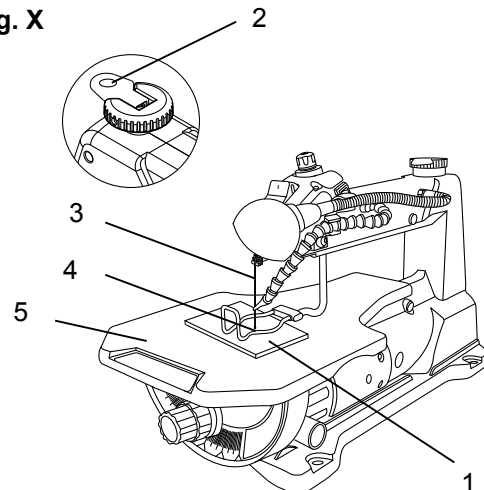
Do not force the leading edge of the workpiece into the blade. The blade will deflect, reducing accuracy of cut, and may break.

9. When the cut is complete, move the trailing edge of the workpiece beyond the blade guard foot. Turn the scroll saw OFF (O).

NOTE: When cutting a narrow workpiece, use push sticks.

Fig. W**INTERIOR CUTTING (FIG. X)**

1. Lay out the design on the workpiece (1). Drill a 1/4-inch hole into the workpiece.
2. Release the quick release tension lever (2), and remove the blade (3). Refer to BLADE REMOVAL AND INSTALLATION.
3. Place the workpiece on the saw table with the hole (4) over the access hole in the table (5).
4. Install the blade (3) through the hole in the workpiece and lower the quick release tension lever (2).
5. Follow steps 3-8 under FREEHAND CUTTING OPERATIONS.
6. When finished making the interior scroll cuts simply turn the scroll saw OFF (O). Remove the blade from the blade holder and remove the workpiece from the table.

Fig. X

MAINTENANCE

WARNING

For your own safety, turn the switch OFF (O) and remove the plug from the power source before maintaining your saw.

GENERAL

An occasional coat of paste wax on the work table will allow the wood being cut to glide smoothly across the work surface.

MOTOR

1. If the power cord is worn, cut or damaged in any way, have it replaced immediately by authorized electrician.
2. Do not attempt to oil the motor bearings or service the motor internal parts.

REPLACING CARBON BRUSHES (FIG. Y, Z)

To inspect or replace brushes, first unplug the saw.

1. Remove the left side cover (1) by loosening the two screws (2).
2. Remove the black plastic cap (3) on the side of the motor (4).
3. Carefully remove the spring-loaded cap.
4. Pull out the brush and replace.
5. Replace for the other side by the hole (5-Fig. Z) on the right side of the scroll saw.
6. Tighten the cap snugly, but do not overtighten.

NOTE: When reinstalling the same brushes, put them back in the way they came out. This will avoid a break-in period that reduces motor performance and increases wear.

Fig. Z

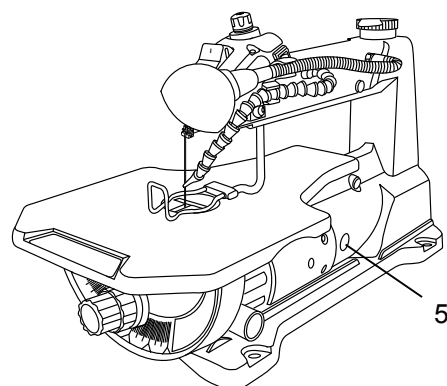
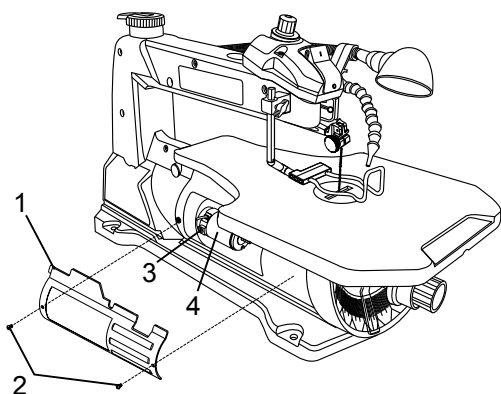


Fig. Y



TROUBLESHOOTING GUIDE

WARNING

To avoid injury from accidental starting, always turn switch OFF (O) and unplug the tool before moving, replacing the blade or making adjustments.

Consult Hitachi Authorized Service Center if for any reason the motor will not run.

SYMPTOM	POSSIBLE CAUSES	CORRECTIVE ACTION
Breaking blades	<ol style="list-style-type: none"> 1. Wrong tension. 2. Overworking blades. 3. Wrong blade application. 4. Twisting blade in wood. 	<ol style="list-style-type: none"> 1. Adjust blade tension. See BLADE REMOVAL AND INSTALLATION section. 2. Reduce feed rate. See BLADE REMOVAL AND INSTALLATION section. 3. Use narrow blade. See BLADE SELECTION section. 4. Avoid side pressure on blade. See BLADE REMOVAL AND INSTALLATION section.
Motor will not run.	<ol style="list-style-type: none"> 1. Defective cord or plug. 2. Defective motor. 3. Blown overload breaker. 	<ol style="list-style-type: none"> 1. Replace defective parts before using saw again. See ELECTRICAL REQUIREMENTS AND SAFETY section. 2. Call Service Center. Any attempt to repair this motor may create a HAZARD unless the repair is done by a qualified technician. 3. Push the motor switch to the OFF (O) position. Let the motor cool. See OPERATION-OVERLOAD BREAKER section.
Excessive vibration. NOTE: There will always be some vibration present when the saw is running because of motor operation.	<ol style="list-style-type: none"> 1. Improper mounting of saw. 2. Unsuitable mounting surface. 3. Loose table or table resting against motor. 4. Loose motor mounting. 	<ol style="list-style-type: none"> 1. See mounting instructions in this manual for proper mounting technique. 2. The heavier your workbench is, the less vibration will occur. A plywood workbench will not be as good a work surface as the same size solid lumber. 3. Tighten the table lock knob. 4. Tighten motor mounting screw.
Blade run out. Blade not in line with arm motion.	<ol style="list-style-type: none"> 1. Blade holders not aligned. 	<ol style="list-style-type: none"> 1. Loosen blade holder lock knob holding blade holder to arms. Adjust position of blade holders. Retighten blade holder lock knob. See BLADE REMOVAL AND INSTALLATION section.

⚠ AVERTISSEMENT

Des études effectuées en Californie ont démontré que la poussière produite par le ponçage, le sciage, le meulage, le perçage et les autres travaux de construction contient des produits chimiques pouvant causer le cancer, des anomalies congénitales et autres dommages au système reproducteur. Voici des exemples de ces produits chimiques :

- Plomb provenant de peintures à base de plomb
- Silice cristallisée provenant de briques, ciment et autres matériaux de maçonnerie.
- Arsenic et chrome provenant du bois traité chimiquement

Les risques résultant de l'exposition à ces produits dépendent de la fréquence de ce type de travail. Pour réduire ces risques, travailler dans des locaux bien aérés et porter les équipements de protection tel un masque antipoussière généralement conçu pour filtrer les particules microscopiques.

FICHE TECHNIQUE DU PRODUIT

MOTEUR

Courant d'alimentation..... Alternatif de 120V AC,
60HZ, 1.6A
Nbre de courses par minute ... De 400 à 1 600
Variateur de vitesse.... Électronique

LAMES

Type..... Ordinaire ou à ergot
Prof. du dégagement..... 16 pouces
Course..... 11/16 pouce
Prof. de coupe à 45°..... 1-1/16 pouce à gauche;
3/4 pouce à droitet
Prof. de coupe à 90°..... 2-1/8 pouces

TABLE

Size..... 12-3/16 pouces x
18-7/8 pouces
Inclinaison..... 45° à gauche et à droite
SOUFFLEUR DE SCIURE..... Oui
LAMPE DE TRAVAIL..... Oui
POIDS NET..... 46.4 LBS (21 kg)

⚠ AVERTISSEMENT

Pour éviter de subir des chocs électriques, des risques d'incendie et pour ne pas endommager la scie à découper, protéger adéquatement son circuit. Cette scie à découper a été câblée à l'usine pour fonctionner sur un circuit de 110 à 120 V protégé par un fusible ou un disjoncteur à action lente de 15 ampères. Pour éviter un choc électrique ou un incendie, remplacer immédiatement le cordon électrique de cette scie s'il est usé, coupé ou endommagé.

Avant d'utiliser cette scie à découper, lire et bien comprendre toutes les consignes de sécurité et s'y conformer, sinon on risque de subir de graves blessures corporelles ou d'endommager la scie à découper.

CONSIGNES DE SÉCURITÉ RELATIVES AUX OUTILS ÉLECTRIQUES

CONSIGNES DE SÉCURITÉ GÉNÉRALES À RESPECTER AVANT D'UTILISER LA SCIE À DÉCOUPER

La sécurité est une combinaison de bon sens, de vigilance et d'une utilisation adéquate de la scie à découper.

AVERTISSEMENT

Pour éviter toute erreur pouvant causer des blessures graves, ne pas brancher la scie à découper avant d'avoir lu et bien compris les consignes suivantes :

1. **LIRE** et bien comprendre tout le Guide d'utilisation et **APPRENDRE** à connaître les limites d'utilisation de cet outil et les risques que présente son utilisation.
2. **GARDER LES PROTECTEURS EN PLACE** et en bon état de fonctionnement.
3. **ENLEVER LES CLÉS DE SERRAGE ET DE RÉGLAGE**. Prendre l'habitude de s'assurer qu'il ne reste pas de clés de serrage et de réglage sur l'outil avant de le mettre « EN MARCHÉ » (I).
4. **GARDER L'AIRE DE TRAVAIL PROPRE**. Les aires de travail et les établis mal ordonnés augmentent les risques d'accident.
5. **NE PAS UTILISER CET OUTIL DANS UN ENVIRONNEMENT DANGEREUX**, comme des endroits humides ou mouillés, ni l'exposer à la pluie. Garder l'aire de travail bien éclairée.
6. **GARDER LES ENFANTS À L'ÉCART**. Tous les visiteurs doivent rester à une distance sécuritaire de l'aire de travail.
7. **ASSURER LA SÉCURITÉ DES ENFANTS** en posant des cadenas, des disjoncteurs et en retirant les clés de démarrage.
8. **NE PAS FORCER L'OUTIL**. Il fonctionnera mieux et plus sécuritairement au régime pour lequel il a été conçu.
9. **UTILISER LE BON OUTIL**. Ne pas utiliser un outil ou un accessoire pour effectuer une opération pour laquelle il n'a pas été conçu.
10. **UTILISER LA RALLONGE APPROPRIÉE**. Si on utilise une rallonge, s'assurer qu'elle est de calibre approprié pour laisser circuler le courant requis par l'outil. Une rallonge de trop petit diamètre causera une chute de tension, une perte de puissance et une surchauffe. Le tableau de la page 5 indique le bon calibre des rallonges à utiliser en fonction de leur longueur et de l'intensité en ampères indiquée sur la plaque signalétique. En cas de doute, utiliser une rallonge de calibre immédiatement plus gros. Plus le numéro du calibre est petit, plus la rallonge est grosse et plus elle laisse circuler de courant.
11. **PORTER DES VÊTEMENTS APPROPRIÉS**. Ne pas porter de vêtements amples, des gants, des cravates, des bagues, des bracelets ou d'autres bijoux pouvant se prendre dans les pièces mobiles. On recommande de porter des chaussures à semelle antidérapante. Porter un dispositif de protection des cheveux afin de retenir les cheveux longs.
12. **TOUJOURS PORTER DES LUNETTES DE PROTECTION**. Tous les outils électriques peuvent projeter des corps étrangers qui risqueraient de causer des lésions oculaires permanentes. **TOUJOURS** porter des lunettes de sécurité (pas de lunettes à verres correcteurs) conformes à la norme Z87.1 de l'ANSI. Les lunettes à verres correcteurs ne résistent pas aux impacts. **REMARQUE** Les lunettes de sécurité non conformes à la norme ANSI Z87.1 risquent de causer de graves blessures au cas où elles casseraient.
13. **PORTER UN MASQUE FACIAL OU UN MASQUE ANTIPOUSSIÈRES**. Les opérations de sciage produisent de la poussière.
14. **IMMOBILISER SOLIDEMENT LE MATÉRIAU À SCIER**. Dans la mesure du possible, utiliser des serre-joints ou un étau pour immobiliser solidement le matériau à scier. Cette pratique est plus prudente que d'utiliser ses mains et elle permet d'avoir les deux mains libres pour utiliser l'outil.
15. **DÉBRANCHER LES OUTILS** avant d'effectuer leur entretien et de changer les accessoires, comme les lames, etc.
16. **LIMITER LES RISQUES DE MISE EN MARCHÉ ACCIDENTELLE**. S'assurer que l'interrupteur est sur la position « ARRÊT » (O) avant de brancher le cordon électrique de la scie à découper dans une prise de courant.
17. **N'UTILISER QUE LES ACCESSOIRES RECOMMANDÉS**. Consulter le Guide d'utilisation pour connaître les accessoires recommandés. L'utilisation de mauvais accessoires risque de causer des blessures corporelles.
18. **NE JAMAIS S'APPUYER SUR L'OUTIL** car on risque de subir de graves blessures si l'outil vient à basculer ou si on vient accidentellement en contact avec l'outil de coupe.
19. **S'ASSURER QU'IL N'Y A PAS DE PIÈCES ENDOMMAGÉES** avant d'utiliser un outil. Un protecteur ou une pièce endommagés doivent être attentivement inspectés pour s'assurer qu'ils pourront fonctionner adéquatement et effectuer le travail pour lequel ils ont été conçus. S'assurer que les pièces mobiles sont bien alignées, qu'elles ne sont pas grippées, mal montées ou desserrées et qu'elles peuvent être utilisées en toute sécurité. Un protecteur, ou toute autre pièce desserré ou endommagé, doit être adéquatement réparé ou remplacé.
20. **NE JAMAIS LAISSER FONCTIONNER UN OUTIL SANS SURVEILLANCE**. NE PAS s'éloigner de l'outil tant qu'il n'est pas complètement arrêté.
21. **NE PAS S'ÉTIRER POUR ATTEINDRE UN OBJET ÉLOIGNÉ**. Travailler de façon à toujours conserver son équilibre.
22. **ENTREtenir LES OUTILS AVEC SOIN** en les gardant toujours bien propres et bien affûtés pour obtenir le meilleur rendement possible en toute sécurité. Se conformer aux instructions pour la lubrification et changer d'accessoire.
23. **SENS DE LA ROTATION**. Pousser le matériau à scier contre le sens de fonctionnement de la lame seulement.
24. **NE PAS UTILISER** l'outil si on est sous l'influence de drogues, d'alcool ou de médicaments qui pourraient rendre son utilisation dangereuse.
25. **LA POUSSIÈRE** produite par certains matériaux peut être dangereuse pour la santé. Toujours utiliser l'outil dans une pièce bien aérée et prévoir un dispositif efficace d'aspiration des poussières. Dans la mesure du possible, utiliser un système d'aspiration de la sciure.

CONSIGNES DE SÉCURITÉ RELATIVES À LA SCIE À DÉCOUPER

CONSIGNES DE SÉCURITÉ SPÉCIFIQUES À CETTE SCIE À DÉCOUPER

1. **LIRE ET BIEN COMPRENDRE** toutes les consignes de sécurité et les directives d'utilisation figurant dans le Guide d'utilisation.
2. **NE PAS UTILISER** la scie à découper avant qu'elle soit complètement assemblée et installée conformément aux directives.
3. **SI** des pièces manquent, sont déformées, brisées ou si une pièce électrique ne fonctionne pas adéquatement, **ARRÊTER (O)** la scie à découper et la débrancher de la prise de courant. Avant de la réutiliser, remplacer les pièces manquantes ou endommagées.
4. **SI ON NE CONNAÎT PAS** bien le fonctionnement de la scie à découper, demander conseil au superviseur, à un instructeur ou à une personne compétente.
5. L'utilisateur risque de subir de **GRAVES BLESSURES** si l'outil bascule ou s'il vient accidentellement toucher l'outil de coupe. Ne rien ranger à proximité ni au-dessus de l'outil.
6. **POUR ÉVITER D'ÊTRE BLESSÉ** suite à un déplacement inattendu de la scie, la positionner sur une surface ferme et de niveau sur laquelle elle ne risquera pas de basculer, puis la boulonner ou l'immobiliser solidement à l'aide de serre-joints.
7. **LA SCIE À DÉCOUPER DOIT ÊTRE SOLIDEMENT FIXÉE** sur un établi ou un chevalet. Si le chevalet ou l'établi a tendance à bouger pendant que la scie fonctionne, le chevalet ou l'outil **DOIT** être solidement immobilisé au sol.
8. **CETTE SCIE À DÉCOUPER** est conçue pour être utilisée à l'intérieur seulement.
9. **RÉGLER ADÉQUATEMENT LA TENSION DE LA LAME** avant de démarrer la scie. Au besoin, vérifier et retendre la lame.
10. **LES DENTS DE LA LAME DOIVENT ÊTRE ORIENTÉES** vers le bas de la table.
11. **ENLEVER** tous les débris se trouvant sur **LA TABLE** avant de démarrer la scie. Ne pas dessiner, assembler ni préparer le matériau à scier pendant que la scie fonctionne.
12. **POUR NE PAS ÊTRE BLESSÉ** en cas de mouvement brusque, éviter les opérations inconfortables où les mains et les doigts risqueraient de venir en contact avec la lame pendant que la scie fonctionne.
13. **TENIR FERMEMENT LE MATÉRIAU À SCIER** contre le dessus de la table.
14. **NE JAMAIS COUPER UN MATÉRIAU** trop petit que l'on ne peut pas tenir en toute sécurité.
15. **NE PAS UTILISER** de lames émoussées ou déformées.
16. **ARRÊTER (O) ET DÉBRANCHER LA SCIE** si la lame se coince dans le trait de scie pendant qu'on recule le matériau à scier. Cet incident se produit habituellement lorsque le trait de scie est bourré de sciure. Dans ce cas, arrêter (O) la scie et la débrancher de la prise de courant. Écarter le trait de scie avec une cale et dégager la lame du matériau à scier.
17. **NE PAS** faire avancer trop rapidement le matériau à scier pendant la coupe. Ne le faire avancer qu'à la vitesse pour laquelle la scie a été conçue.
18. **COUPER LE COURANT** alimentant la scie, retirer la clé de l'interrupteur et s'assurer que la lame de la scie à découper est complètement arrêtée avant de poser ou de déposer un accessoire et de s'éloigner de l'aire de travail.
19. **NE PAS DÉMARRER** la scie si un matériau à scier appuie contre la lame. Avancer lentement le matériau à scier sur la lame.
20. **POUR SCIER** de grands matériaux, **S'ASSURER** qu'ils sont supportés à la même hauteur que la table.
21. **FAIRE PREUVE DE PRUDENCE** pour découper des matériaux ronds ou de formes irrégulières, car ils risquent de pincer la lame.
22. **TOUJOURS** dissiper la tension exercée sur la lame avant de desserrer la vis des porte-lames.
23. **S'ASSURER** que le bouton de blocage de l'inclinaison de la lame est serré avant de démarrer la scie.
24. **NE JAMAIS S'ÉTIRER POUR ATTEINDRE UN OBJET ÉLOIGNÉ** sous la table de la scie à découper pendant que son moteur fonctionne.
25. Avant chaque utilisation de la scie, **S'ASSURER QU'AUCUNE DE SES PIÈCES N'EST ENDOMMAGÉE** et que toutes les pièces mobiles sont bien alignées, qu'elles ne sont pas grippées, mal montées ou desserrées et qu'elles peuvent être utilisées en toute sécurité. Une pièce endommagée doit être adéquatement réparée ou remplacée.
26. **SÉCURITÉ AVANT TOUT.**

CARACTÉRISTIQUES ÉLECTRIQUES ET SÉCURITÉ

DIRECTIVES DE MISE À LA TERRE

EN CAS DE DÉFECTUOSITÉ OU DE PANNE, la mise à la terre offre au courant électrique un trajet à moindre résistance et réduit les risques de choc électrique. Cette scie à découper est équipée d'un cordon électrique doté d'un conducteur et d'une fiche de mise à la terre. La fiche DOIT être branchée dans une prise de courant correspondante, bien installée et mise à la terre conformément à TOUS les codes et règlements de la municipalité.

NE PAS MODIFIER LA FICHE FOURNIE. Si elle ne convient pas à la prise de courant, faire installer une prise de courant appropriée par un électricien.

LE MAUVAIS BRANCHEMENT du conducteur de mise à la terre de l'outil peut causer un risque de choc électrique. Le conducteur recouvert d'une gaine isolante verte (avec ou sans bande jaune) est le conducteur de mise à la terre. Si le cordon électrique ou si la fiche de ce cordon doit être réparé ou remplacé, NE PAS brancher le conducteur de mise à la terre de l'outil sur une borne sous tension.

CONSULTER un électricien ou un préposé à l'entretien qualifié si on ne comprend pas parfaitement les instructions de mise à la terre ou si on n'est pas sûr si l'outil est bien mis à la terre.

N'UTILISER qu'une rallonge à 3 fils munie d'une fiche à 3 broches dont une de mise à la terre d'un côté et d'une prise à 3 trous de l'autre dont un de mise à la terre que l'on branchera dans une prise de courant à 3 trous pouvant recevoir la fiche de l'outil. Réparer ou remplacer immédiatement tout cordon électrique usé ou endommagé.

DIRECTIVES CONCERNANT LES RALLONGES

Utiliser la rallonge adéquate. S'assurer qu'elle est en bon état et qu'elle est de calibre suffisant pour l'ampérage de l'outil. Une rallonge de moindre calibre cause une baisse de tension résultant en une perte de puissance et une surchauffe. Le tableau ci-dessous donne les calibres recommandés selon la longueur de la rallonge et l'intensité minimale de l'appareil. En cas de doute, utiliser une rallonge de calibre plus élevé. Plus le nombre est petit, plus le calibre est élevé.

S'assurer que la rallonge est en bon état et bien branchée. Remplacer une rallonge endommagée ou la faire réparer par une personne compétente. Mettre la rallonge à l'abri d'objets tranchants, de la chaleur et de l'humidité.

Alimenter l'outil par un circuit indépendant. Le calibre des fils de ce circuit électrique doit être supérieur à 12. Ce circuit devra être protégé par un fusible à action lente de 20 ampères ou bien le calibre des fils du circuit devra être de 14. Dans ce cas, le circuit électrique devra être protégé par un fusible à action lente de 15 ampères.

REMARQUE : When using an extension cord on a circuit with a #14 wire, the extension cord must not exceed 25 feet in length. Avant de brancher le moteur

de cette scie à découper sur le courant électrique, s'assurer que son interrupteur est sur la position « ARRÊT » (O) et que les caractéristiques du courant qui l'alimente sont les mêmes que celles indiquées sur la plaque signalétique du moteur. Cette scie à découper est prévue pour être branchée sur un circuit muni d'une prise de courant ressemblant à celle illustrée à la Figure 1.

La Fig. 1 montre une fiche à 3 broches et une prise de courant munie d'un conducteur de mise à la terre. S'il n'y a pas de prise de courant adéquatement mise à la terre, on pourra utiliser un adaptateur (Fig. 2) pour brancher temporairement cette fiche dans une prise de courant à 2 trous non mise à la terre. L'adaptateur (Fig. 2) est muni d'une cosse rigide qui DOIT être connectée à une mise à la terre permanente, comme une boîte de prise de courant adéquatement mise à la terre.

⚠ AVERTISSEMENT

MISE EN GARDE

Dans tous les cas, s'assurer que la prise de courant utilisée est adéquatement mise à la terre. En cas de doute, la faire vérifier par un électricien qualifié.

⚠ AVERTISSEMENT

MISE EN GARDE

Cette scie à découper est conçue pour être utilisée à l'intérieur seulement. Ne pas l'exposer à la pluie, ni l'utiliser dans des endroits humides.

Fig. 1

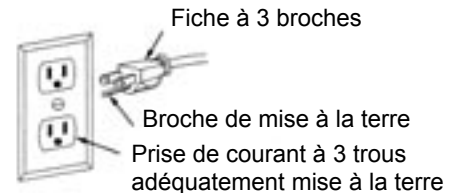
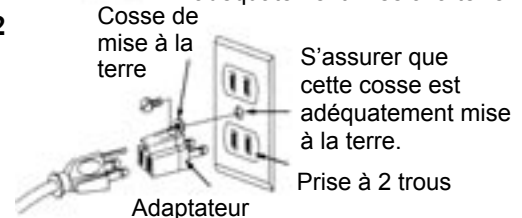


Fig. 2



⚠ AVERTISSEMENT

Pendant qu'il fonctionne, et pour protéger l'utilisateur, cet outil doit être mis à la terre.

CALIBRES MINIMAUX RECOMMANDÉS DES RALLONGES (AWG) (Fonctionnement sur le courant de 120 volts seulement)

Intensité en ampères		Longueur totale de la rallonge			
Plus de	Moins de	25 pi	50 pi	100 pi	150 pi
0	6	18	16	16	14
6	10	18	16	14	12
10	12	16	16	14	12
12	16	14	12	Non recommandé	

ACCESSOIRES

ACCESSOIRES RECOMMANDÉS

⚠ AVERTISSEMENT

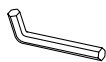
- Pour éviter tout risque de blessure, ne pas tenter de modifier cet outil ni de fabriquer et d'utiliser des accessoires non recommandés pour cet outil. **Any alteration or modification is considered misuse and could result in a hazardous condition leading to possible serious injury.**
- N'utiliser que les accessoires recommandés pour cette scie à découper. Suivre les directives livrées avec les accessoires. L'utilisation de mauvais accessoires risque de causer un accident.

⚠ AVERTISSEMENT

Ne pas utiliser un accessoire avant d'avoir lu et bien compris toutes les consignes de sécurité et toutes les directives du Guide d'utilisation de cet accessoire.

OUTILS REQUIS POUR ASSEMBLAGE

Fourni

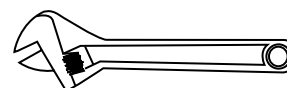


Clé hexagonale 3 mm

Not Fourni



Tournevis moyen



Clé à molette



Tournevis Phillips n° 2

CONTENU DE LA BOÎTE

⚠ AVERTISSEMENT

- Pour ne pas se blesser au cas où une pièce serait manquante ou endommagée, ne pas brancher le cordon électrique de la scie à découper dans une prise de courant tant que la pièce manquante ou endommagée n'aura pas été remplacée et tant que l'assemblage ne sera pas complètement terminé.
- Pour ne pas provoquer d'incendie ni de réaction toxique, ne jamais utiliser d'essence, d'acétone, de naphte, de diluant, de laque ou de solvants identiques hautement volatiles pour nettoyer cette scie à découper.

⚠ AVERTISSEMENT

Déballer prudemment la scie à découper et sortir toutes ses pièces. Vérifier chaque pièce par rapport à l'illustration ci-dessous.

1. Sortir la scie à découper de la boîte en la soulevant par l'arrière de son cadre supérieur.
2. Poser la scie sur une surface stable et l'inspecter attentivement.

⚠ AVERTISSEMENT

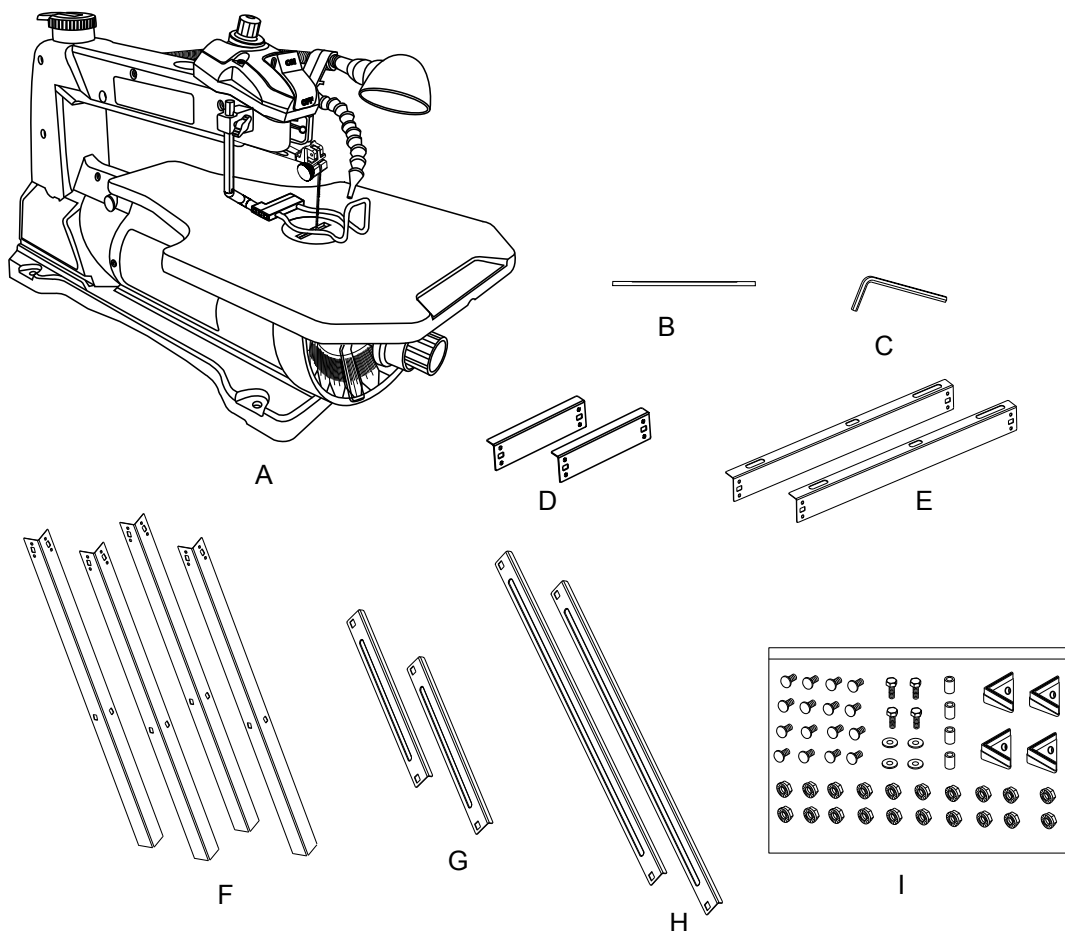
La scie risque d'être endommagée si on la soulève par le bras de retenue de sa lame.

ART	DESCRIPTION	QUANTITÉ
A	Scroll Saw Assembly	1
B	Lames	1
C	Clé hexagonale coudée	1

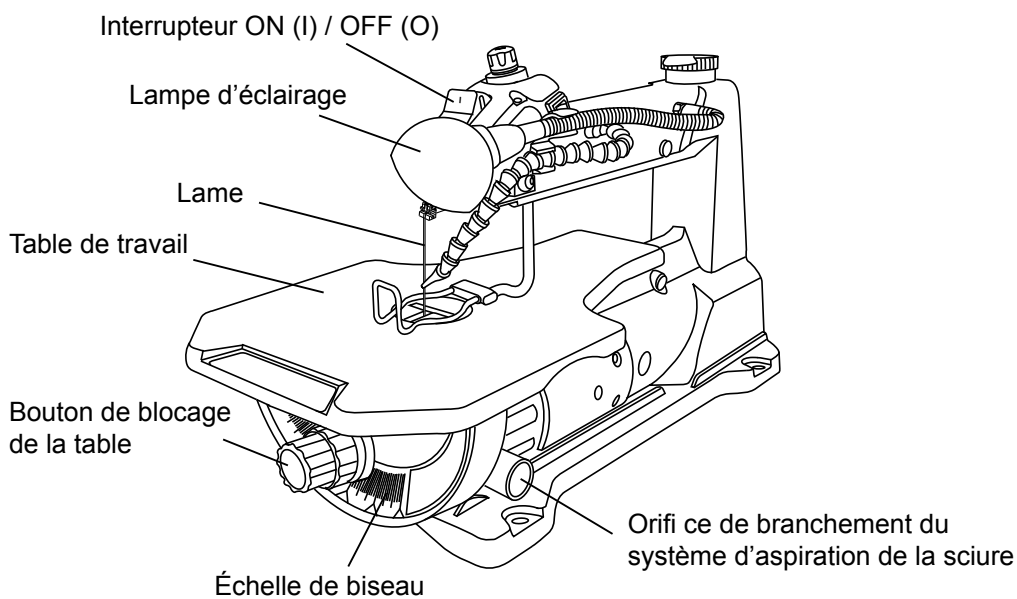
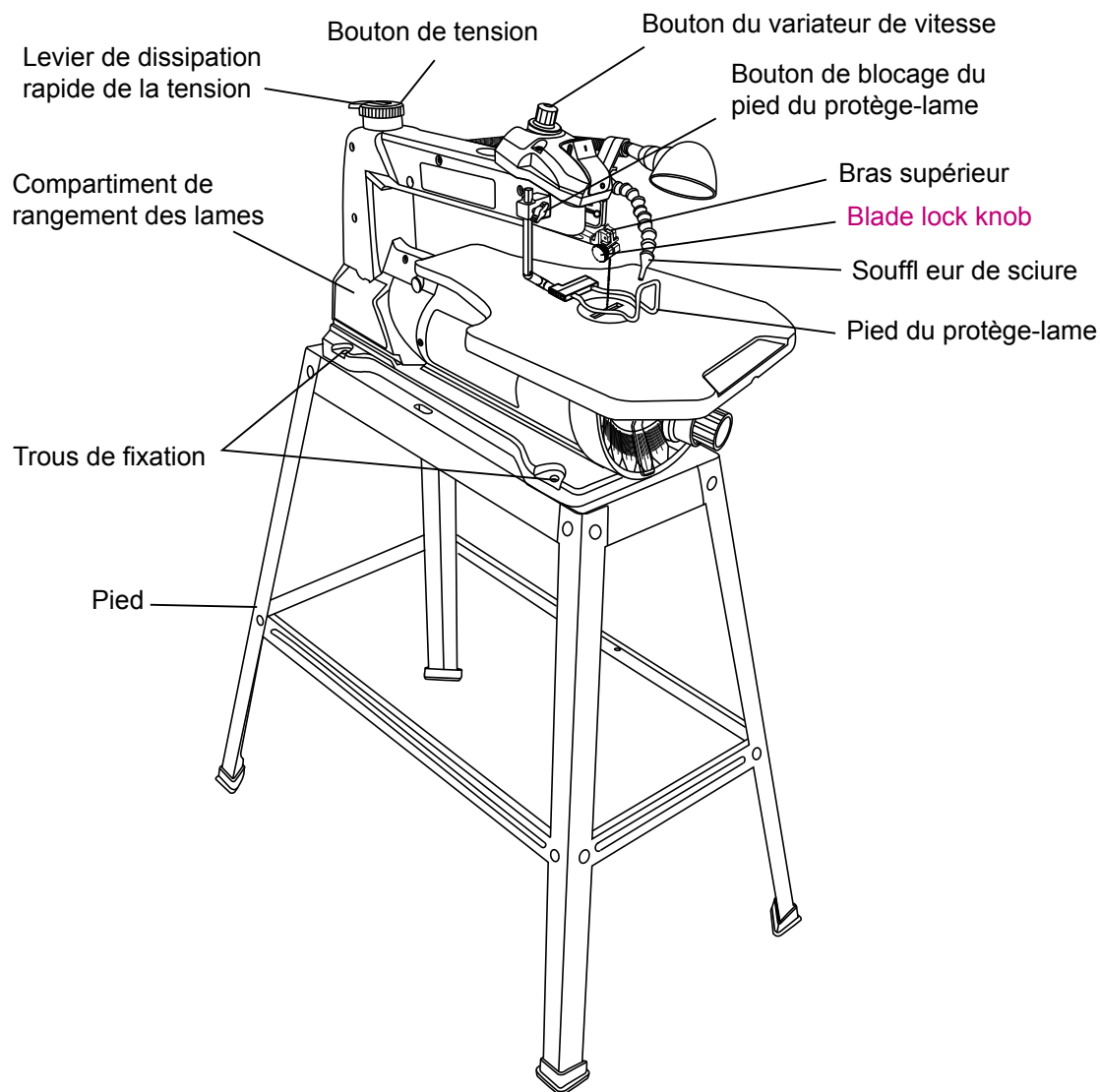
PIED

D	Traverse supérieure, courte	2
E	Traverse supérieure, longue	2
F	Pied	4
G	Traverse inférieure, courte	2
H	Traverse inférieure, longue	2
I	Stand hardware bag	1

UNPACKING YOUR SCROLL SAW



APPRENDRE À CONNAÎTRE LA SCIE À DÉCOUPER



GLOSSAIRE

TERMES RELATIFS AUX SCIES À DÉCOUPER

BOUTON DE BLOCAGE DE LA TABLE – Permet de bloquer solidement la table à l'angle souhaité pour effectuer une coupe en biseau.

BOUTON DE BLOCAGE DU PIED DU PROTÈGE-LAME – Permet de lever ou de baisser le pied et de le bloquer à la hauteur souhaitée.

BOUTON DE MARCHE (I) -ARRÊT (O) DU VARIATEUR DE VITESSE – Bouton rotatif assurant une polyvalence accrue pour la coupe de nombreux matériaux. Régler la vitesse au réglage souhaité, entre 400 et 1600 courses par minute (c/min), en tournant ce bouton à droite ou à gauche.

COMPARTIMENT DE RANGEMENT DES LAMES – Permet de ranger facilement et rapidement des lames et des clés.

ÉCHELLE DE BISEAU – Représente le degré de l'angle de la table, de 0° à 45°, lorsqu'elle est inclinée pour une coupe en biseau.

LEVIER DE DISSIPATION RAPIDE DE LA TENSION DE LA LAME – Permet de détendre et de retendre rapidement la lame à sa tension initiale. Il règle et rajuste rapidement la tension de la lame si l'utilisateur doit effectuer des coupes intérieures ou changer de lame.

ORIFICE DE BRANCHEMENT DU SYSTÈME D'ASPIRATION DE LA SCIURE – Permet de brancher le tuyau d'un aspirateur ou des accessoires pour aspirer la sciure qui tombe sous la table ou le socle de l'outil.

PIED DE PROTÈGE-LAME – Protège la lame et empêche le matériau à scier de se soulever. Aide à empêcher que les doigts viennent en contact avec la lame.

PORTE-LAME – Retient et positionne la lame.

SOUFFLEUR DE SCIURE – Empêche la sciure de couvrir la ligne de visée afin d'assurer des coupes plus précises. Pour obtenir de meilleurs résultats, diriger le tube du souffleur vers la lame et le matériau à scier.

TERMES DE MENUISERIE

AVANCE – Vitesse à laquelle on déplace le matériau à scier contre la lame.

BORD ARRIÈRE – Fin du bord du matériau scié par la lame de scie.

COURBURE – Léger déplacement horizontal de la lame pendant qu'elle fonctionne en ligne au cours des opérations de coupe. Cela peut être causé par la lame qui suit le grain ou la trajectoire offrant le moins de résistance.

MATÉRIAU À SCIER – Matériau sur lequel on effectue une opération de coupe.

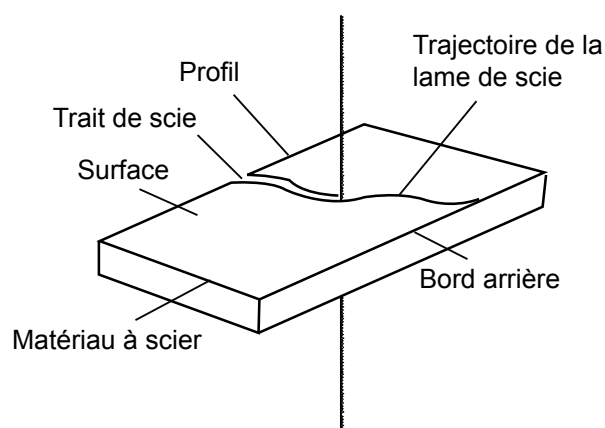
PROFIL – Bord avant du matériau à scier que l'on pousse contre la lame.

SURFACE – Dessus du matériau que l'on scie.

TRAIT DE SCIE – Rainure formée par la lame pendant le sciage.

TRAJECTOIRE DE LAME DE SCIE – Surface ou ligne de visée du matériau à scier se déplaçant en ligne vers le bord de la lame de scie.

VOIE DES DENTS DE LAME – Déport donné par torsion aux dents d'une lame à leur pointe extérieure, par rapport au plan du corps de la lame.



ASSEMBLAGE ET RÉGLAGES

TEMPS D'ASSEMBLAGE ESTIME A 15~20 MINUTES

ASSEMBLAGE DU SUPPORT (FIG. A)

1. Déballez toutes les pièces et les regroupez par type et dimension. Voir la liste des pièces pour connaître les quantités.
2. Attach one short upper support (1) to top of leg (2) using one bolt (3) and nut (4).

REMARQUE :

- Align detents in stand leg with support brackets to ensure proper fit.
 - Ne pas serrer les boulons avant que le support soit aligné correctement (voir étape #8).
3. Attach other end of short upper support to top of another leg using one bolt and nut.
 4. Attach one short bottom support (5) to center of each leg using bolt (3) and nut (4). This completes the front frame section.
 5. Assembler la section du bâti arrière de la même façon.
 6. Join front and rear frame assemblies using two long upper supports (6) and two long bottom supports (7), bolts and nuts.
 7. Insert foot pad (8) into bottom of leg. Repeat for each leg.
 8. Placer le support sur une surface de niveau et le régler de sorte que tous les pieds touchent au sol et soient au même angle par rapport au sol. Serrer tous les boulons.

REMARQUE : To avoid rocking, tighten all bolts.

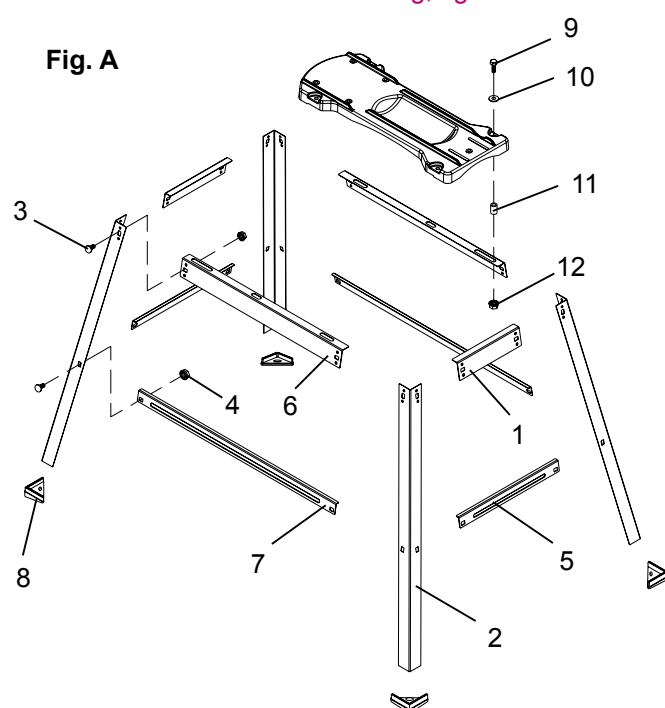


Fig. A

⚠ AVERTISSEMENT

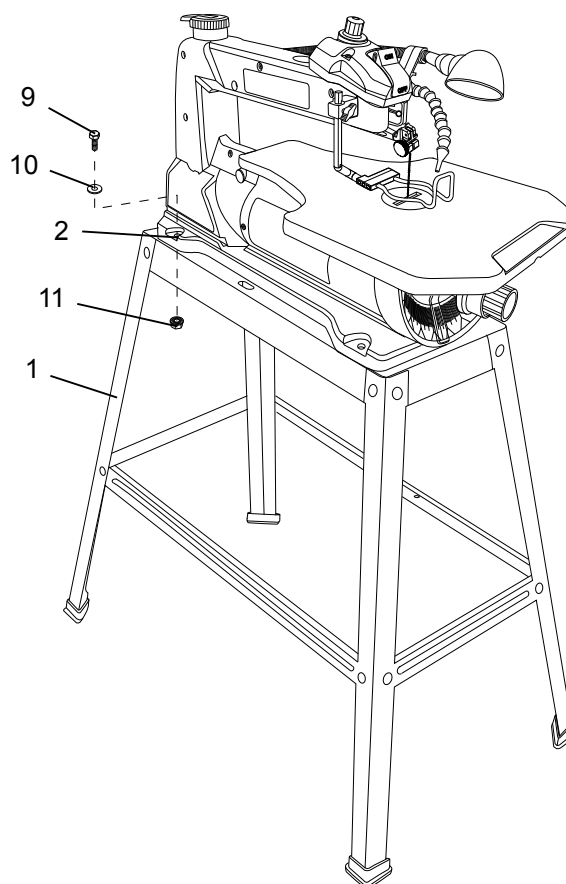
- Le support est conçu pour l'usage de la scie de rouleau.
- Ne pas monter, vous reposer ou tenir debout sur le montage du support.
- Ne pas utiliser le support sur une surface instable ou inégale.

MOUNTING THE SCROLL SAW (FIG. B)

1. To mount your scroll saw to the stand, position the leg stand (1) on a firm, level surface.
2. Matching the holes (2) in the scroll saw base with the holes in the leg stand, place the scroll saw on the stand.
3. Secure the stand and saw using the hex head bolts (9), flat washers (10), spacer (11) and nuts (12) provided.
4. Serrer les quatre écrous.

REMARQUE: ne pas trop serrer les écrous qui retiennent la scie au support, cela endommagera la base de la scie.

Fig. B



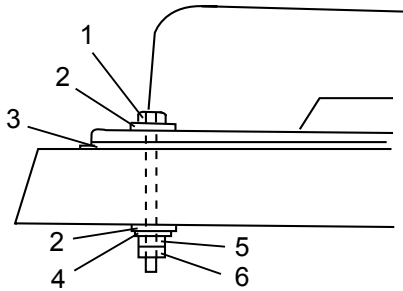
AVERTISSEMENT

To avoid injury, do not connect this scroll saw to the power outlet until it is completely assembled and adjusted, and you have read and understood the entire instruction manual.

FIXATION DE LA SCIE À DÉCOUPER SUR LA SURFACE DE TRAVAIL (FIG. C)

1. Si on décide de fixer la scie à découper en permanence, il est préférable de la fixer sur un établi plutôt que sur une feuille de contreplaqué afin de réduire les bruits et les vibrations.
2. Les fixations nécessaires pour immobiliser cette scie ne sont PAS fournies. **The hardware shown in Fig. C should be used:**

Fig. C

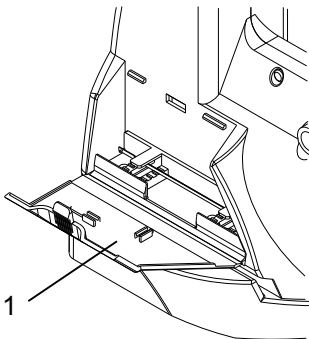


1. (3) boulons à tête hexagonale; leur longueur variera selon le besoin
2. (6) rondelles plates
3. Morceau de mousse ou tapis (en option)
4. (3) Rondelles-freins
5. (3) Écrous à six pans
6. (3) Contre-écrous

COMPARTIMENT DE RANGEMENT DES LAMES (FIG. D)

Le compartiment de rangement des lames (1) se trouve à l'arrière gauche du corps de la scie. Le tirer pour l'ouvrir. Il permet de ranger les clés hexagonales coudées et les lames ordinaires ou à ergot.

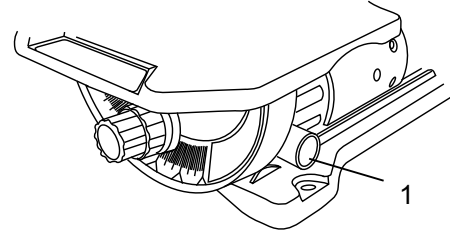
Fig. D



ORIFICE D'ASPIRATION DE LA SCIURE (FIG. E)

This scroll saw will accept a hose or vacuum accessory (not provided) to be connected to the port (1) on the left side of base. If excessive sawdust buildup occurs inside the base, use a wet /dry vacuum cleaner or manually remove sawdust by removing the screws on the left side of saw. Rattacher le couvercle et les vis avant de remettre la scie en marche. Ce nettoyage permettra d'obtenir des coupes plus efficaces.

Fig. E



DÉPOSE ET REPOSE DES LAMES

POSE ET DÉPOSE DES LAMES ORDINAIRES

Pour couper une grande variété de matériaux, 5 lames ordinaires ou à ergot peuvent être utilisées avec cette scie à découper.

On recommande d'utiliser des lames ordinaires pour des coupes fines et précises des matériaux dont l'épaisseur maximale ne dépassera pas 3/4 pouce. **It will take slightly longer to assemble the blade and blade tension, but you will also be able to use finer blades for cutting a thinner kerf.**

WARNING

Pour éviter tout démarrage accidentel pouvant causer des blessures, toujours s'assurer que l'interrupteur de la scie à découper est sur la position ARRÊT (O) et que le cordon électrique est débranché de la prise de courant avant de déposer ou de remplacer une lame.

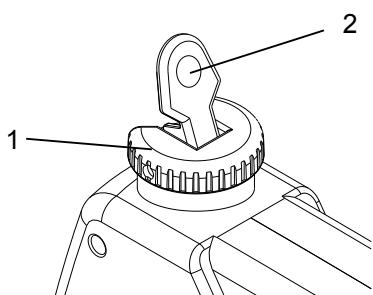
POSE ET DÉPOSE DES LAMES À ERGOT (FIG. F, G, H)

⚠ AVERTISSEMENT

To avoid injury, do not touch the bottom of the tension knob (1) when operating the quick release tension lever (2).

1. Pour déposer ce type de lame, dissiper tout d'abord la tension exercée sur la lame en relevant le levier de dissipation rapide de la tension (2).

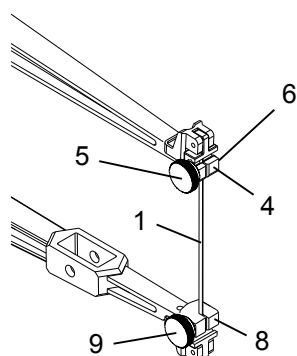
Fig. F



2. Desserrer ensuite le porte-lame supérieur (4) en tournant à gauche le bouton de dissipation rapide de la tension (5).

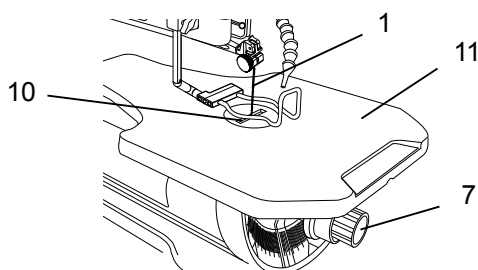
REMARQUE : The hex set screw (6) on the right side is used for fine adjustments and is only adjusted if the blade is not perpendicular to the table.

Fig. G



3. Incliner la table à 0°, puis serrer le bouton de blocage des coupes en biseau (7). Loosen the lower blade holder lock knob (9) under the table on the left side of the lower blade holder (8) by turning it counterclockwise. (Fig. G, H)
4. Enlever la lame des porte-lames (1) supérieur et inférieur en la tirant vers l'avant. La sortir par le trou d'accès (10) de la table (11). (Fig. G, H)

Fig. H



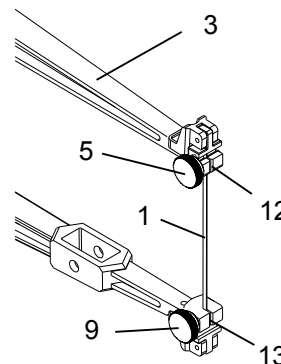
POSE DES LAMES ORDINAIRES (FIG. I, J)

⚠ AVERTISSEMENT

Afin d'éviter le levage incontrôlable du matériau à scier, les dents de la lame doivent TOUJOURS être orientées vers le bas.

1. Faire passer la lame (1) dans l'orifice d'accès de la table (11), en orientant ses dents vers le bas. (Fig. H)
2. Introduire la nouvelle lame (1) dans la fente du portelame inférieur (13), puis serrer la vis de pression à tête hexagonale (9). (Fig. I)

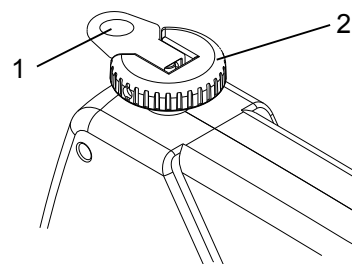
Fig. I



3. Incliner la table au réglage 0°, puis bloquer le bouton des coupes en biseau.
 4. Insérer l'autre bout de la lame dans la fente du portelame supérieur (12-Fig. I) puis serrer le levier de dissipation rapide de la tension (1-Fig. J).
- REMARQUE :** Pour poser la lame dans le porte-lame supérieur, appuyer légèrement sur le bras supérieur (3) . (Fig. I)
5. Tendre la lame en tournant à droite le bouton de tension (2). Check the tension the blade. Si elle n'est pas assez tendue, tourner le bouton de tension à droite; ne pas trop tendre la lame, sinon elle risque de briser pendant l'utilisation. (Fig. J)

REMARQUE : La poignée du levier de dissipation rapide de la tension doit toujours être baissée pour procéder aux réglages de la tension. Relever le levier de dissipation rapide de la tension pour changer de lame. Si la lame est trop tendue, il sera difficile de baisser le levier.

Fig. J



POSE ET DÉPOSE DES LAMES À ERGOT

⚠ AVERTISSEMENT

To prevent personal injury, always turn the saw OFF (O) and disconnect the plug from the power outlet before changing blades or making adjustments.

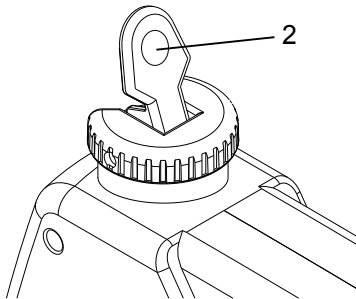
Pin-end type blades are thicker for stability and faster assembly. Elles servent aux coupes rapides de nombreux matériaux et de ceux dont l'épaisseur minimale est de 3/4 pouce. Les utiliser lorsqu'une précision moindre n'est pas requise et lorsqu'un trait de scie plus épais est acceptable.

REMARQUE : Pour poser ce type de lame, ne pas trop serrer ni desserrer les vis de pression des porte-lames supérieur et inférieur. La fente doit être légèrement plus large que l'épaisseur de la lame. Après avoir posé une lame, le mécanisme de tension retiendra la lame à ergot en place.

DÉPOSE DES LAMES À ERGOT (FIG. K, L)

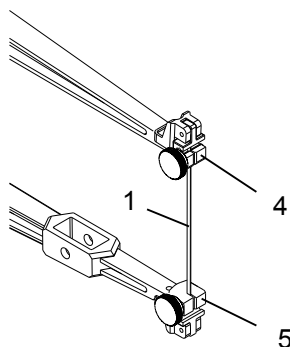
1. To remove the blade, loosen the tension by lifting the quick release tension lever (2). (Fig. K)

Fig. K



2. Enlever la lame (1) des porte-lames supérieur (4) et inférieur (5) en la tirant vers l'avant pour la dégager. La sortir par le trou d'accès.. (Fig. L)

Fig. L



3. Incliner la table à un angle de 45°, puis bloquer le bouton de blocage des coupes en biseau pour voir le porte-lame inférieur (5). (Fig. J)

REMARQUE : Pour déposer la lame du porte-lame supérieur, appuyer légèrement sur le bras supérieur.

POSE DES LAMES À ERGOT (FIG. M, N)

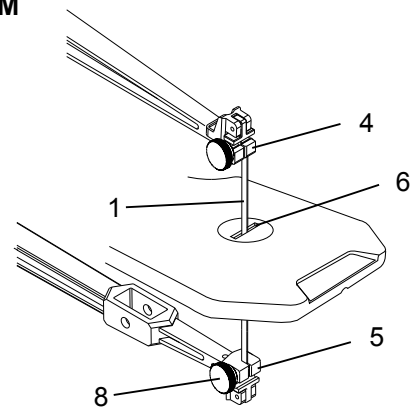
REMARQUE : Si on utilise des lames à ergot, ne pas serrer le bouton de blocage.

⚠ AVERTISSEMENT

Afin d'éviter le levage incontrôlable du matériau à scier, les dents de la lame doivent toujours être orientées vers le bas.

1. Poser la lame (1) en introduisant un de ses bouts dans le trou d'accès (6) ou dans celui de la plaque de lumière de la table. Accrocher l'ergot inférieur de la lame dans la partie évidée du porte-lame inférieur (5), puis son ergot supérieur dans le porte-lame supérieur (4). (Fig. M)

Fig. M

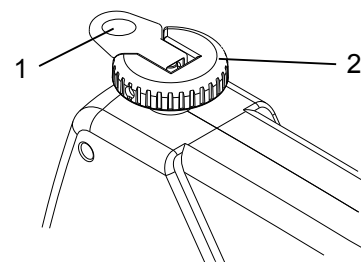


2. Make sure the pins are properly located in the upper (4) and the lower (5) blade holders.

3. Pour tendre la lame (1), baisser le levier de dissipation rapide de la tension (1). Vérifier la tension de la lame. Si elle est trop tendue, tourner le bouton (2) à gauche; si elle n'est pas assez tendue, le tourner à droite. (Fig. N).

REMARQUE : Si la lame est trop tendue, il sera difficile de baisser le levier, et le porte-lame ou le bras de la scie risque d'être endommagé.

Fig. N



RÉGLAGE DU PIED DU PROTÈGE-LAME (FIG. O, P)

REMARQUE : L'utilisateur doit appuyer constamment sur le matériau à scier. Le pied du protège-lame n'est pas conçu pour immobiliser la pièce, mais plutôt pour empêcher le matériau à scier de se lever excessivement.

Pour procéder à des coupes en biais, le pied du protège-lame (1) doit être réglé de façon qu'il soit parallèle à la table. Il doit aussi reposer bien à plat au-dessus du matériau à scier.

1. Pour procéder au réglage, desserrer la vis (2-Fig. P), incliner le pied pour qu'il soit parallèle à la table, puis resserrer la vis.
2. Desserrer le bouton (3) pour lever ou baisser le pied jusqu'à ce qu'il soit légèrement au-dessus du matériau à scier. Resserrer le bouton.
3. To remove the blade guard foot (1), loosen the hex screws (2) by use a hex wrench to turn the screw counterclockwise. (Fig. P)

REMARQUE: The stopper (4) on the blade guard foot is only used for 0° cutting. To avoid the blade guard foot contact with the arm, adjust the foot to desired position when beveling.

Fig. O

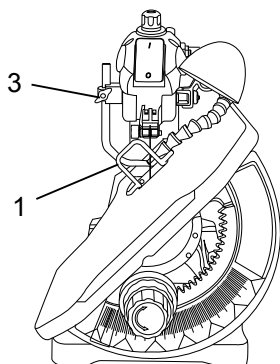
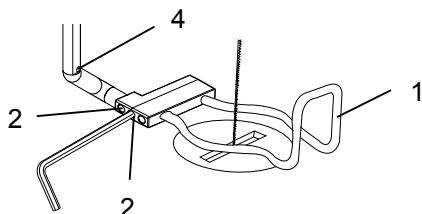


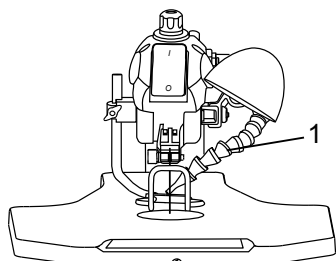
Fig. P



SOUFFLEUR DE SCIURE (FIG. Q)

Le souffleur de sciure (1) doit être positionné de façon à être orienté vers la lame et le matériau à scier afin qu'il puisse chasser la sciure de la ligne de visée. Ce souffleur n'est pas conçu pour enlever toute la sciure de la table.

Fig. Q



CHOIX DES LAMES (FIG. R)

⚠ AVERTISSEMENT

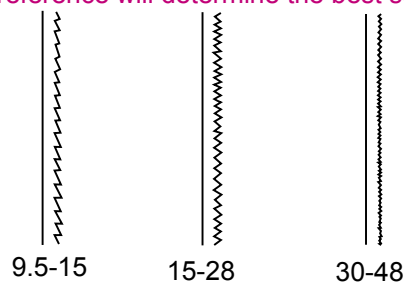
Pour éviter tout démarrage accidentel pouvant causer des blessures, toujours s'assurer que l'interrupteur de la scie à découper est sur la position ARRÊT (O) et que le cordon électrique est débranché de la prise de courant avant de déposer ou de remplacer une lame ou de procéder à des réglages.

Des lames de 5 pouces d'une grande variété d'épaisseurs et de largeurs peuvent être utilisées avec cette scie. The type of material and cutting operations (size of radius or curve) will determine the number of teeth per inch. As a rule, always select the narrowest blades for intricate curve cutting and the widest blades for straight and large curve cutting operations.

Lorsqu'on achète des lames, se reporter à l'endos de leur emballage pour connaître leur meilleure utilisation et les vitesses auxquelles les utiliser en fonction des matériaux à scier.

Use this table as an example, but practice and your own personal preference will determine the best selection method.

Fig. R



DENTS/POUCHES	LARGEUR DE LA LAME EN POUCHES	ÉPAISSEUR DE LA LAME EN POUCHES	C/MIN DE LA LAME	MATÉRIAUX
9.5-15	0.110	0.018	400-1200	Rayons moyens. Bois, métal doux, bois dur de 1/4 à 1 3/4 pouce
15-28	.055-.110	.010-.018	800-1800	Petits rayons. Bois, métal doux, bois dur de 1/8 à 1 1/2 pouce
30-48	.024-.041	.012-.019	Variable	Métaux non ferreux, bois durs, avance très lente

REMARQUE : Il faudra parfois modifier la vitesse de coupe pour compenser les courbes et les rayons serrés ou les petits diamètres. Des lames plus minces fléchissent mieux pour effectuer des coupes en biais non perpendiculaires à la table. Se reporter à la section UTILISATION DE LA SCIE À DÉCOUPER pour d'autres suggestions.

REMARQUE : Pour que le matériau à scier ne soit pas relevé pas par l'action de la scie, les dents des lames doivent être orientées vers le bas, comme il est illustré à la Fig. R.

UTILISATION

REPLACEMENT DE L'AMPOULE (FIG. S)

1. N'utiliser qu'une ampoule d'une puissance maximale de 10 watts. Mettre l'interrupteur d'éclairage sur la position (1) arrêt (O), puis débrancher la scie.
2. Enlever l'ampoule brûlée. La remplacer par une neuve.

AVERTISSEMENT

- To prevent injury resulted from heat of the light bulb. Never touch the light bulb.
- To prevent electric shock. Never touch the bulb socket when the plug from the power source is connected.

INTERRUPTEUR MARCHÉ (I) -ARRÊT (O) (FIG. S)

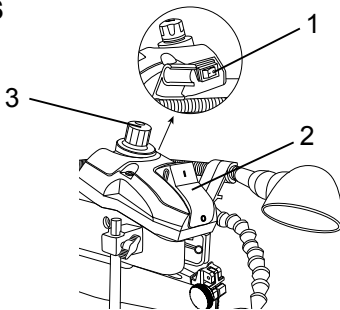
1. Pour DÉMARRER (I) ET ARRÊTER (O) la scie, appuyer sur cet interrupteur (2).

VARIABLE SPEED CONTROL KNOB (FIG. S)

Le bouton du variateur de vitesse assure une polyvalence accrue pour la coupe de nombreux matériaux comme le bois, les plastiques, les métaux non ferreux, etc. Selon la dureté et l'épaisseur du matériau, il faudra réduire la vitesse de coupe pour que les dents de la lame puissent éliminer la sciure du trait de scie du matériau que l'on coupe.

1. La scie est munie d'un bouton (1) rotatif de variateur de vitesse. La cadence des courses de la lame se règle en tournant simplement ce bouton (1). Pour augmenter la vitesse, tourner le bouton à droite; pour la diminuer, le tourner à gauche.

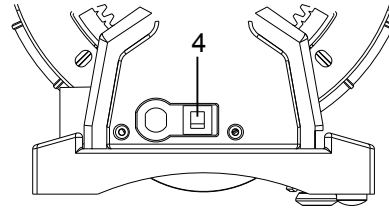
Fig. S



DISJONCTEUR DE SURCHARGE (FIG. S, T)

Si le moteur surchauffe pendant qu'il fonctionne, le disjoncteur de surcharge (4) l'arrêtera automatiquement pour empêcher qu'il soit endommagé. Appuyer sur l'interrupteur (2-Fig. S) pour ARRÊTER (O) la scie. Ne pas redémarrer la scie tant que son moteur n'aura pas refroidi. Appuyer sur le disjoncteur (4), puis sur l'interrupteur marche (I) -arrêt (O) (2-Fig. S) pour redémarrer la scie.

Fig. T



RECOMMANDATIONS POUR LES COUPES

1. Lorsqu'on fait avancer le matériau à scier, ne pas forcer son profil contre la lame, sinon elle déviara, la coupe ne sera pas aussi précise et la lame risquera de briser. Laisser la scie couper le matériau en le guidant contre la lame au fur et à mesure qu'elle coupe.
2. Les dents de la lame coupent le matériau UNIQUEMENT lors de la course descendante.
3. Le bois doit être guidé lentement contre la lame, car les dents sont très petites et elles ne coupent le bois que lors de la course descendante.
4. Quiconque désire utiliser cette scie doit s'attendre à une période d'apprentissage pendant laquelle l'utilisateur brisera un certain nombre de lames jusqu'à ce qu'il sache comment utiliser la scie et profiter au maximum des avantages que procurent les lames.
5. On obtiendra de meilleurs résultats avec du bois ayant moins de 1 pouce d'épaisseur.
6. Pour scier du bois de plus d'un pouce d'épaisseur, l'utilisateur doit le guider très très lentement contre la lame et faire bien attention de ne pas plier ni tordre la lame pendant la coupe afin de maximiser sa durée.
7. Les dents des lames de scie à découper s'usent et les lames doivent être remplacées régulièrement. Habituellement, elles restent généralement affûtées entre ½ heure et 2 heures de coupe.
8. Pour des coupes précises, se préparer à compenser la tendance que la lame a à suivre le grain du bois pendant la coupe.
9. Cette scie à découper est conçue pour couper du bois ou des produits de bois. Les scies à découper coupent bien des métaux précieux et non ferreux si elles sont utilisées sur la vitesse lente. Dans ce cas, les métaux doivent être lubrifiés avec de l'huile pour machines et de la cire d'abeille.
10. Lorsque l'on choisit une lame pour une scie à découper, considérer des lames très minces et étroites pour couper du bois peu épais ayant une épaisseur maximale de ¼ pouce. Utiliser des lames plus grosses pour couper des matériaux plus épais. Toutefois, l'utilisation de telles lames diminuera la possibilité de couper des courbes serrées.

11. Cette scie à découper permet d'utiliser des lames à ergot ou ordinaires de 5 pouces.
12. Les lames s'usent plus rapidement lorsque l'on coupe du contreplaqué ou des panneaux de particules, lesquels sont très abrasifs. Les coupes en biais effectuées dans du bois dur réduisent plus rapidement la vie des lames puisque ces dernières fléchissent.

COUPE À MAIN LIBRE

⚠ AVERTISSEMENT

Pour éviter tout démarrage accidentel pouvant causer des blessures, toujours s'assurer que l'interrupteur de la scie à découper est sur la position ARRÊT (O) et que le cordon électrique est débranché de la prise de courant.

Pour éviter tout démarrage accidentel pouvant causer des blessures, toujours s'assurer que l'interrupteur de la scie à découper est sur la position ARRÊT (O) et que le cordon électrique est débranché de la prise de courant.

1. Tracer le modèle sur le matériau à scier ou y fixer solidement celui désiré (1).
2. Lever le protège-lame (2) en desserrant le bouton de réglage de hauteur de la lame (3).
3. Positionner le matériau à scier contre la lame, puis placer le pied du protège-lame légèrement audessus du matériau à scier.
4. Immobiliser solidement le protège-lame (2) en serrant le bouton de réglage de hauteur de la lame (3).
5. Éloigner le matériau de la lame avant de DÉMARRER (I) la scie à découper. Tirer sur le bouton du variateur de vitesse (4). Le régler à la vitesse désirée en le tournant à droite ou à gauche.

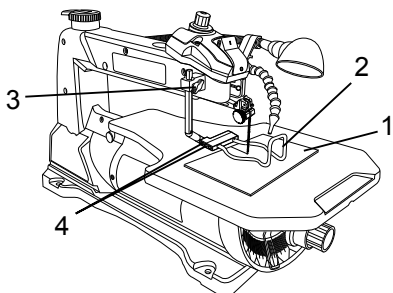
ATTENTION : Afin d'éviter le levage incontrôlable du matériau à scier et pour réduire les bris des lames, ne pas DÉMARRER la scie pendant que le matériau à scier repose contre la lame.

6. Lorsque l'on DÉMARRE (I) la scie à découper, positionner le matériau à scier contre une chute de bois avant de faire toucher son profil I avec la lame.
7. Avancer lentement le matériau à scier contre la lame en le guidant et en l'appuyant contre la table.

ATTENTION : Ne pas forcer le profil I du matériau à scier contre la lame, sinon elle fléchira, la coupe ne sera pas aussi précise et la lame risquera de briser.

8. La coupe terminée, déplacer le bord arrière du matériau au-delà du pied du protège-lame, puis ARRÊTER (O) la scie à découper.

Fig. U



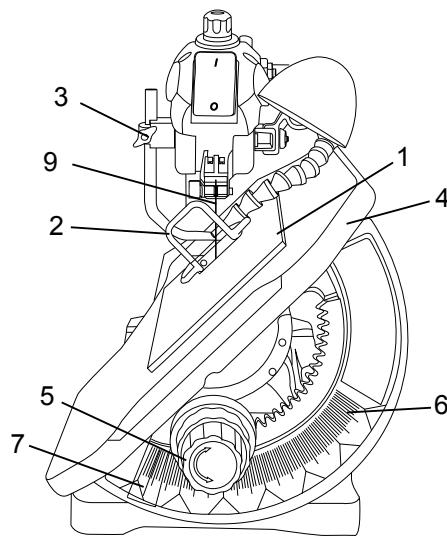
COUPES EN BIAIS (FIG. U, V)

⚠ AVERTISSEMENT

- **Pour éviter tout démarrage accidentel pouvant causer des blessures, toujours s'assurer que l'interrupteur de la scie à découper est sur la position ARRÊT (O) et que le cordon électrique est débranché de la prise de courant avant de déposer ou de remplacer une lame ou de procéder à des réglages.**
- **To avoid injury, always keep your hands off the underneath of the table during operating.**

1. Tracer le modèle sur le matériau à scier (1) ou y fixer solidement celui désiré.
2. Régler le protège-lame (2) à la position la plus haute en desserrant le bouton de réglage de hauteur de la lame (3). Resserrer ensuite le bouton de réglage. (Fig. S)
3. Incliner la table (4) à l'angle désiré en desserrant le bouton de blocage des coupes en biseau (5) puis, à l'aide de l'échelle des degrés (6) et de l'index (7), régler la table à l'angle approprié.
4. Serrer le bouton de blocage des coupes en biseau (5).
5. Desserrer la vis du protège-lame (4-Fig. U), puis incliner le protège-lame au même angle que celui de la table (4). Resserrer la vis du protège-lame.
6. Positionner le matériau à scier à gauche et à droite de la lame (9). Abaisser le pied du protège-lame légèrement au-dessus de la surface en desserrant le bouton de réglage de hauteur de la lame (3).
7. Procéder aux opérations 4. à 8. de la section COUPES À MAIN LIBRE.

Fig. V



COUPES DE REFENTE OU EN LIGNE DROITE (FIG. W)

⚠ AVERTISSEMENT

To avoid injury from accidental starting, make sure the switch is in the OFF (O) position and the plug is not connected to the power outlet before moving, replacing blade or making adjustments.

Outils requis (Pas fournis)

QUANTITÉ	DESCRIPTION
2	Petits serre-joints
1	Règle ou ruban à mesurer
1	Chute de bois droit de 12 pouces d'épaisseur. (De la même hauteur que celle du matériau à scier)

1. Lever le pied du protège-lame (1) en desserrant le bouton de réglage de hauteur de la lame (2) qui se trouve à droite du bras supérieur. Mesurer depuis le bout de la lame (3) jusqu'à la distance désirée. À cette distance, positionner le bord droit (4) parallèle à la lame.
2. Avec un serre-joint, immobiliser solidement le bord droit (4) sur la table (5).
3. Révéri fier les mesures sur le matériau à scier, puis s'assurer que la chute de bois est solidement immobilisée.
4. Positionner le matériau à scier contre la lame et placer le pied du protège-lame (1) légèrement audessus du matériau à scier.
5. Secure the blade guard foot in place by tightening the blade guard foot lock knob.
6. Éloigner le matériau à scier de la lame avant de DÉMARRER (I) la scie à découper. Tirer sur le bouton du variateur de vitesse. Le régler à la vitesse désirée en le tournant à droite ou à gauche.

⚠ AVERTISSEMENT

In order to avoid uncontrollable lifting of the workpiece and to reduce blade breakage, do not turn the saw ON (I) while the workpiece is against the blade.

7. Positionner le matériau à scier contre le bord droit (4) avant de faire toucher son profil I avec la lame (3).
8. Avancer lentement le matériau à scier contre la lame en le guidant contre le bord droit. Tenir le matériau à scier bien appuyer contre la table pendant la coupe.

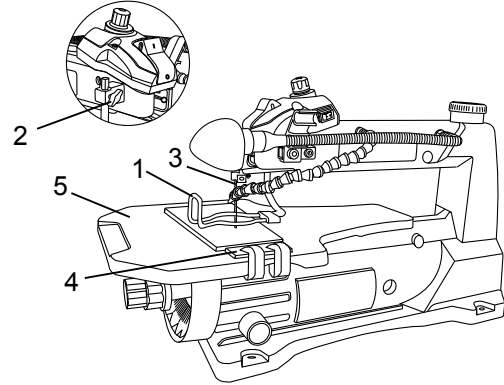
⚠ AVERTISSEMENT

Do not force the leading edge of the workpiece into the blade. The blade will deflect, reducing accuracy of cut, and may break.

9. La coupe terminée, déplacer le bord arrière du matériau à scier au-delà du pied du protège-lame, puis ARRÊTER (O) la scie à découper.

REMARQUE : Pour couper des pièces de bois étroites, utiliser un poussoir.

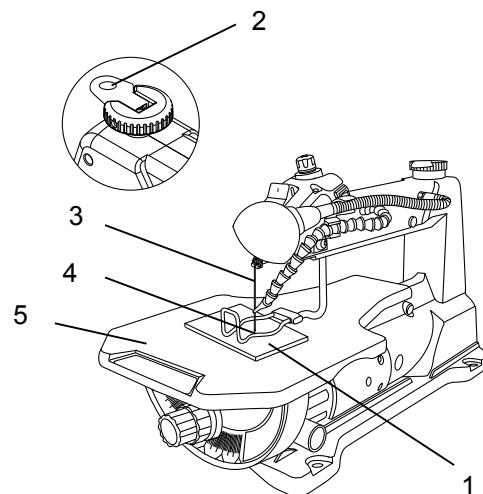
Fig. W



COUPE INTÉRIEURE (FIG. X)

1. Lay out the design on the workpiece (1). Drill a 1/4-inch hole into the workpiece .
2. Release the quick release tension lever (2), and remove the blade (3). Refer to BLADE REMOVAL AND INSTALLATION.
3. Place the workpiece on the saw table with the hole (4) over the access hole in the table (5).
4. Glisser la lame (3) dans le trou du matériau à scier, puis baisser le levier de dissipation rapide de la tension (2).
5. Follow steps 3-8 under FREEHAND CUTTING OPERATIONS.
6. Les coupes intérieures terminées, ARRÊTER (O) la scie, enlever la lame du porte-lame, puis retirer le matériau à scier de la table.

Fig. X



ENTRETIEN

⚠ AVERTISSEMENT

Par mesure de sécurité, s'assurer que l'interrupteur de la scie à découper est sur la position ARRÊT (O) et que le cordon électrique est débranché de la prise de courant avant de procéder à l'entretien.

GÉNÉRALITÉS

De temps à autres, l'application d'une couche de cire en pâte sur la table de travail permettra au bois de mieux glisser.

MOTEUR

1. Si le cordon électrique est usé, coupé ou endommagé de quelque façon que ce soit, le faire remplacer immédiatement par un électricien autorisé.
2. Ne pas lubrifier les roulements du moteur ni intervenir sur ses pièces internes.

REPLACEMENT DES BALAIS DE CHARBON (FIG. Y, Z)

Pour inspecter ou remplacer les brosses, débrancher d'abord la scie.

1. Enlever le couvercle gauche (1) en desserrant les deux vis (2).
2. Enlever le capuchon en plastique noir (3) sur le côté du moteur (4).
3. Enlever soigneusement le capuchon à ressort.
4. Sortir la brosse et la remplacer.
5. Remettre pour l'autre côté par le trou (5-Fig. Z) sur le côté droit de la scie à découper.
6. Visser le capuchon, mais ne pas trop le serrer.

REMARQUE : Pour réinstaller les mêmes balais, s'assurer d'abord de les réinsérer de la façon qu'ils étaient placés au moment de l'enlèvement. Cela évite de passer par une période de rodage qui réduit le rendement du moteur et augmente l'usure.

Fig. Z

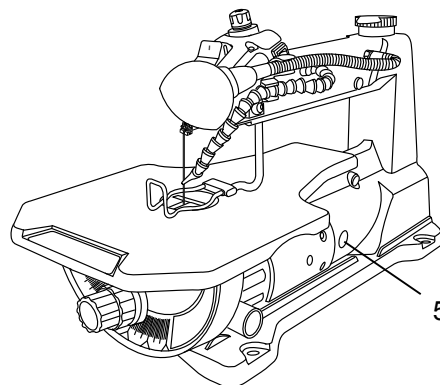
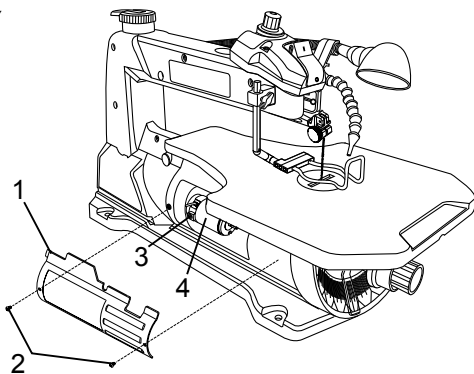


Fig. Y



GUIDE DE DÉPANNAGE

⚠ AVERTISSEMENT

Pour éviter tout démarrage accidentel pouvant causer des blessures, toujours s'assurer que l'interrupteur de la scie à découper est sur la position ARRÊT (O) et que le cordon électrique est débranché de la prise de courant avant de déposer ou de remplacer une lame ou de procéder à des réglages.

Consulter le Centre de réparation Hitachi local si le moteur ne fonctionne pas.

PROBLÈMES	CAUSES POSSIBLES	REMÈDES
Les lames brisent.	<ol style="list-style-type: none"> 1. Elles sont mal tendues. 2. Charges excessives exercées sur les lames. 3. Utilisation des mauvaises lames. 4. Torsion de la lame dans le bois. 	<ol style="list-style-type: none"> 1. Les tendre correctement. Voir la section DÉPOSE ET REPOSE DES LAMES. 2. Faire avancer plus lentement le matériau à scier. Voir la section DÉPOSE ET REPOSE DES LAMES. 3. Utiliser des lames étroites. Voir la section DÉPOSE ET REPOSE DES LAMES. 4. Éviter d'exercer une pression latérale sur la lame. Voir la section DÉPOSE ET REPOSE DES LAMES.
Le moteur ne fonctionne pas.	<ol style="list-style-type: none"> 1. Cordon électrique ou prise de courant défectueux. 2. Moteur défectueux. 3. Disjoncteur de surcharge sauté. 	<ol style="list-style-type: none"> 1. Remplacer les pièces défectueuses avant de réutiliser la scie. Voir la section CARACTÉRISTIQUES ÉLECTRIQUES ET SÉCURITÉ. 2. Communiquer avec le Centre de réparation. Toute tentative de réparer ce moteur peut présenter un RISQUE D'ACCIDENT, à moins que la réparation soit effectuée par un technicien qualifié. 3. Mettre l'interrupteur du moteur sur la position ARRÊT (O). Laisser refroidir le moteur. Voir la section UTILISATION DE LA SCIE À DÉCOUPERTABLE – DISJONCTEUR DE SURCHARGE.
Vibrations excessives de la scie. REMARQUE : En raison du fonctionnement du moteur, il se produit toujours certaines vibrations.	<ol style="list-style-type: none"> 1. La scie a été mal assemblée. 2. La surface de fixation est inadéquate. 3. La table est desserrée ou bien elle vient en contact avec le moteur. 4. Le support du moteur est desserré. 	<ol style="list-style-type: none"> 1. Se reporter aux directives d'assemblage de ce guide pour savoir comment procéder au bon assemblage. 2. Plus l'établi sera épais, moins il y aura de vibrations. Un établi en contreplaqué ne constitue pas une aussi bonne surface de travail qu'un établi en bois massif. 3. Serrer le bouton de blocage de la table. 4. Serrer la vis du support du moteur.
Lame déformée. La lame ne suit pas le mouvement du bras.	<ol style="list-style-type: none"> 1. Porte-lames mal alignés. 	<ol style="list-style-type: none"> 1. Desserrer les vis de fixation des porte-lames sur les bras. Régler la position des porte-lames. Resserrer les vis de fixation. Voir la section DÉPOSE ET REPOSE DES LAMES.

SEGURIDAD DE LAS HERRAMIENTAS

INSTRUCCIONES GENERALES DE SEGURIDAD ANTES DE UTILIZAR ESTA HERRAMIENTA ELÉCTRICA

La seguridad no consiste en otra cosa que sentido común, estar alerta y saber cómo usar la máquina.

ATENCIÓN

Para evitar errores que pudieran causar lesiones graves, no enchufe la herramienta hasta haber leído y entendido todo lo que sigue.

1. **LEA** y familiarícese con todo el Manual del usuario **APRENDA** cuáles son las aplicaciones de la máquina, sus limitaciones y posibles riesgos.
2. **MANTENGA LOS PROTECTORES EN SU SITIO** y en perfecto estado.
3. **RETIRE LAS LLAVES DE REGULACIÓN Y AJUSTE.** Tenga por costumbre comprobar que no haya ninguna llave de regulación ni de ajuste en la máquina antes de ponerla en marcha.
4. **MANTENGA LIMPIA LA ZONA DE TRABAJO**
Las superficies y bancos abarrotados invitan a los accidentes.
5. **NO UTILICE LA MÁQUINA EN ENTORNOS PELIGROSOS.** No utilice las herramientas eléctricas en sitios húmedos o mojados, ni las exponga a la lluvia. Mantenga la zona de trabajo bien iluminada.
6. **MANTENGA LEJOS A LOS NIÑOS.** Todos los visitantes deben mantenerse a una distancia segura de la zona de trabajo.
7. **HAGA UN TALLER A PRUEBA DE NIÑOS** con candados, interruptores generales o quitando las llaves de puesta en marcha.
8. **NO FUERCE LA HERRAMIENTA.** Trabaja mejor y con más seguridad a la carga a la que fue diseñada.
9. **EMPLEE LA HERRAMIENTA ADECUADA.** No fuerce la herramienta ni sus accesorios para hacer un trabajo para el que no están preparados.
10. **USE LA ALARGADERA ADECUADA.** Cerciórese de que el cable de extensión está en buen estado. Al usar un cable de extensión, cerciórese de que emplea una de la sufi ciento sección, capaz de aguantar la corriente necesaria. Un cable infradimensionado provocará una caída de tensión en la línea y tendrá menos potencia, lo que hará que la herramienta se caliente. La tabla de la página 5 muestra la medida adecuada en función de la longitud del cable y de la intensidad nominal indicada en la chapa. En caso de duda, emplee el de calibre mayor. Cuanto menor sea el largo, más grueso será el cable.
11. **LLEVE LAS PRENDAS ADECUADAS** No lleve prendas sueltas ni guantes, corbatas, anillos, pulseras u otros adornos ya que podrían quedar atrapados por las partes en movimiento. Se recomienda calzado antideslizante. Lleve gorro protector si tiene el pelo largo.
12. **LLEVE SIEMPRE PROTECCIÓN OCULAR.** Cualquier sierra caladora puede proyectar objetos extraños en los ojos y causar lesiones permanentes en la vista. Lleve **SIEMPRE** gafas de seguridad (no gafas normales) que cumplan la norma de seguridad ANSI Z87.1 Las gafas de uso normal tienen sólo cristales resistentes al impacto. **NO SON** gafas de seguridad. Puede encontrar gafas de seguridad en Sears. **NOTA:** Las gafas o protecciones oculares que no cumplan la norma ANSI Z87.1 podrían causar lesiones graves.
13. **LLEVE UNA MÁSCARA FACIAL O MASCARILLA CONTRA EL POLVO.** El funcionamiento de la sierra genera polvo.
14. **AMARRE LA PIEZA DE TRABAJO.** Use mordazas o un tornillo para amarrar la pieza, cuando sea práctico. Es más seguro que usar las manos y, además, deja libres las manos para accionar la herramienta.
15. **DESCONECTE LAS HERRAMIENTAS** antes de revisarlas y cuando cambie los accesorios como las hojas, brocas, cuchillas y similares.
16. **REDUZCA EL RIESGO DE ARRANQUE ACCIDENTAL.** Cerciórese de que el interruptor está en la posición de apagado OFF(O) antes de enchufar la herramienta.
17. **USE LOS ACCESORIOS RECOMENDADOS.** Consulte el Manual del usuario para conocer los accesorios recomendados. El empleo de accesorios inadecuados puede provocar lesiones a usted o a sus compañeros.
18. **NO SE APOYE EN LA HERRAMIENTA.** Podría lesionarse gravemente si la herramienta se embota o si se toca inadvertidamente.
19. **COMPRUEBE SI HAY PIEZAS DAÑADAS.** Antes de proceder a usar la herramienta, compruebe meticulosamente si hay alguna protección o pieza deteriorada para ver si funcionará correctamente y realizará su trabajo – compruebe la alineación de las piezas que se mueven, si están agarrotadas, rotas, así como el montaje o cualquier otro aspecto que pueda afectar al funcionamiento. Repare o cambie la guarda o cualquier otra pieza que esté dañada.
20. **NO DEJE LA MÁQUINA EN MARCHA CUANDO SE AUSENTE. APÁGUELA.** No se vaya hasta que no se haya parado totalmente.
21. **NO SOBREPASE SU CAPACIDAD.** Mantenga el asentamiento y la estabilidad en todo momento.
22. **MANTENGA LAS HERRAMIENTAS CON CUIDADO.** Mantenga limpias y afiladas las herramientas para lograr un comportamiento más eficiente y seguro. Respete las instrucciones de lubricación y de cambio de los accesorios.
23. **SENTIDO DE ALIMENTACIÓN.** Alimente el trabajo hacia la hoja o cuchilla contra el sentido de giro de la hoja o cuchilla solamente.
24. **NO HAGA FUNCIONAR** la herramienta si se encuentra bajo la acción de drogas, alcohol o medicación que pudiera afectar su capacidad para usar la herramienta adecuadamente.
25. **EI POLVO** generado por algunos materiales puede ser peligroso para su salud. Trabaje siempre con la sierra en una zona bien ventilada y dótela del sistema adecuado para la extracción de polvo. Use un aspirador de polvo siempre que sea posible.

SEGURIDAD DE LA SIERRA CALADORA

INSTRUCCIONES ESPECÍFICAS DE SEGURIDAD PARA ESTA SIERRA CALADORA

1. **LEA Y ENTIENDA** todas las instrucciones de seguridad y los procedimientos de funcionamiento descritos en este manual.
2. **NO** accione la sierra caladora hasta que esté completamente montada e instalada de acuerdo con estas instrucciones.
3. **DE FALTAR**, estar deteriorada o fallar alguna pieza de la sierra caladora, o cualquier otra pieza eléctrica, apague la máquina y desconecte el enchufe del tomacorriente. Antes de volver a trabajar con la máquina, cambie las piezas que falten, estén dañadas o averiadas.
4. **SI NO ESTÁ BIEN FAMILIARIZADO** con el funcionamiento de las sierras caladora, acuda al encargado, instructor o a cualquier compañero cualificado para que lo aconseje.
5. Podrían producirse **LESIONES GRAVES** si la herramienta se vuelca o si, inadvertidamente, toca la hoja de corte. No almacene nada encima o cerca de la herramienta.
6. **EVITE LESIONARSE** a causa de un movimiento inesperado de la sierra. Coloque la sierra en una superficie firme y nivelada en la que la sierra no se balancee y atornille o afiance la sierra a su base.
7. **LA SIERRA CALADORA DEBE AMARRARSE DE MODO FIRME** a un soporte o un banco de trabajo. Si el soporte o el banco de trabajo tienen tendencia a moverse durante el funcionamiento, entonces **DEBE** amarrar tanto uno como otro al suelo.
8. **ESTA SIERRA CALADORA** está pensada sólo para uso en interiores.
9. **TENSE LA HOJA CORRECTAMENTE** antes de arrancar la sierra. Vuelva a comprobar la tensión tantas veces como sea necesario.
10. **LOS DIENTES DE LA HOJA DEBEN APUNTAR** hacia abajo.
11. Antes de empezar a trabajar con la sierra, **LA MESA DEBE ESTAR LIMPIA** de cualquier residuo. No realice trazados, ajustes ni montajes en la mesa con la sierra en funcionamiento.
12. **PARA EVITAR LESIONES**, evite aquellas posiciones de riesgo a la mano o los dedos en las que un resbalón inoportuno pudiera hacer que la mano toque la hoja mientras está en marcha la sierra.
13. **SUJETE LA PIEZA A TRABAJAR FIRMEMENTE** contra la mesa.
14. **NO CORTE NUNCA MATERIAL** cuyas pequeñas dimensiones hagan difícil un manejo seguro.
15. **NO UTILICE** hojas flojas ni dobladas.
16. **APAGUE LA SIERRA Y DESENCHUFE EL CABLE** si la hoja se traba en el corte de la sierra cuando ésta se retira de la pieza a trabajar, normalmente se debe a polvo que atasca el corte. Si ocurre esto, apague la sierra caladora y desenchufe el cable del tomacorriente. Desacufe el corte y retire la hoja de la pieza de trabajo.
17. A la hora de cortar, **NO** alimente el material demasiado rápido. Alimente la pieza a la velocidad a la que la sierra traga y corta bien.
18. Antes de montar o desmontar un accesorio, y antes de abandonar la zona de trabajo, **APAGUE LA MÁQUINA**, quite el interruptor principal y cerciórese de que la sierra se para totalmente.
19. **NO ARRANQUE** la sierra con la pieza a trabajar lista para ser cortada haciendo presión sobre la hoja. Avance lentamente la pieza a trabajar hacia la hoja en movimiento.
20. **AL CORTAR** una pieza ancha, **CERCIÓRESE** de que queda bien apoyada a la altura de la mesa.
21. **TENGA CUIDADO** cuando corte piezas redondas o de forma irregular, podrían pellizcar la hoja.
22. Libere **SIEMPRE** de tensión la hoja antes de aflojar el tornillo de sujeción de la hoja.
23. Antes de arrancar la máquina, **ASEGÚRESE** de que el bloqueo de inclinación de la mesa está dado.
24. **NO SE ASOME** debajo de la mesa de la sierra cuando el motor esté en marcha.
25. Siempre que vaya a usar la máquina, **COMPRUEBE ANTES SI HAY PIEZAS DETERIORADAS**. Compruebe si están alineadas las partes móviles, si éstas no se traban, si hay piezas rotas, o si está roto el montaje; o cualquier otro factor que pueda interferir con un funcionamiento correcto y sin problemas. Las piezas deterioradas deben repararse o sustituirse adecuadamente antes de usar la máquina.
26. **PIENSE SIEMPRE EN LA SEGURIDAD**

SEGURIDAD Y REQUISITOS ELÉCTRICOS

INSTRUCCIONES DE PUESTA A TIERRA

EN CASO DE MAL FUNCIONAMIENTO O DE AVERÍA, la puesta a tierra brinda a la corriente eléctrica un camino de mínima resistencia y reduce el riesgo de descarga eléctrica. La herramienta va provista con un cable eléctrico que tiene un conductor de puesta a tierra del equipo y un enchufe con toma a tierra. El enchufe DEBE conectarse a una toma de corriente que haya sido instalada correctamente y puesta a tierra de acuerdo con TODA la normativa y ordenanzas locales.

NO MODIFIQUE EL ENCHUFE SUMINISTRADO si no entra en el tomacorriente, haga que un electricista cualificado le instale la toma adecuada.

Una CONEXIÓN INCORRECTA del conductor de puesta a tierra puede provocar riesgo de descarga eléctrica. El conductor con aislante verde (con o sin franjas amarillas) es el conductor de puesta a tierra. Si hubiera que reparar el cable eléctrico o el enchufe, NO conecte el conductor de puesta a tierra a un borne de fase.

COMPRUEBE con un electricista cualificado o una persona de mantenimiento si usted ha entendido bien las instrucciones de puesta a tierra o si no está seguro de que la máquina haya sido puesta bien a tierra.

Emplee sólo cables de extensión tripolares que tengan enchufes de puesta a tierra de 3 patas y tomas de corriente de 3 polos que acepten el enchufe de la máquina. Repare o cambie inmediatamente los cables dañados o gastados.

DIRECTRICES PARA EL CABLE DE EXTENSIÓN

USE LAS ALARGADERAS ADECUADAS. Cerciérese de que la alargadera está en buen estado. Al usar una alargadera, cerciérese de que emplea una de la suficiente sección, capaz de aguantar la corriente necesaria. Un cable infradimensionado provocará una caída de tensión en la línea, lo que se traducirá en una pérdida de potencia y causará recalentamiento. La tabla inferior muestra la medida adecuada en función de la longitud del cable y del amperaje nominal indicado en la placa. En caso de duda, emplee la siguiente de calibre mayor. Cuanto menor sea el largo, más grueso será el cable.

Cerciérese de que el cable de extensión está bien cableado y en buen estado. Cambie siempre un cable deteriorado o haga que lo repare un técnico cualificado antes de usarlo. Proteja los cables de extensión de los objetos cortantes, del calor excesivo y de las zonas húmedas o mojadas.

Use un circuito eléctrico independiente para las herramientas. Este circuito no debe llevar un cable menor del #12 con un fusible de retardo de 20 A o un cable #14 con fusible de retardo de 15 A. Antes de conectar la máquina a la red de suministro, cerciérese. **NOTA** : Al usar un cable de extensión eléctrico con

un hilo de #14, el cable de extensión no debe exceder de 25 pies de longitud de que el interruptor está apagado, en la posición OFF (O), y que la corriente eléctrica es de la misma tensión que la de la placa del motor. Si se hace funcionar el motor a una tensión menor a la indicada éste puede averiarse. Esta herramienta ha sido diseñada para uso en un circuito que tenga una toma como la ilustrada en la Figura 1.

La figura 1 muestra un enchufe de 3 patas y una toma con un conductor de puesta a tierra. Si no se dispone de una toma de corriente con puesta a tierra adecuada puede emplearse provisionalmente un adaptador (Figura 2) para conectar este enchufe a una toma de 2 patas puesta a tierra. El adaptador temporal sólo debe usarse hasta que un electricista cualificado instale una toma adecuada con la puesta a tierra. El adaptador (Figura 2) tiene una lengüeta rígida que sobresale de él y que DEBE conectarse a una toma a tierra permanente, tal como un receptáculo de enchufe puesto a tierra.

⚠ ADVERTENCIA

Cerciérese en todos los casos de que el receptáculo en cuestión está bien puesto a tierra. Si no está seguro, haga que un electricista cualificado compruebe el receptáculo.

⚠ ADVERTENCIA

Esta herramienta es sólo para uso en interiores. No la exponga a la lluvia ni la use en sitios húmedos.

Fig. 1

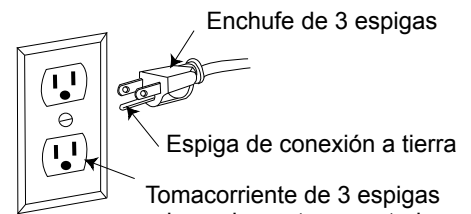
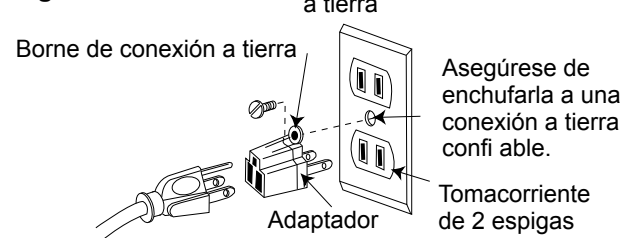


Fig. 2



⚠ ADVERTENCIA

Esta herramienta debe estar puesta a tierra mientras funciona, a fin de proteger al operario de posibles descargas eléctricas.

CALIBRE MÍNIMO DE LOS CABLES DE EXTENSIÓN (AWG)

(Sólo cuando se usan a 120 V)

	Amperaje nominal	Longitud total del cable en pies			
		Más de	No más de	25'	50'
0	6	18	16	16	14
6	10	18	16	14	12
10	12	16	16	14	12
12	16	14	12	no recomendado	

ACCESORIOS Y ACOPLAMIENTOS

ACCESORIOS RECOMENDADOS

⚠ ADVERTENCIA

- Para evitar lesiones, no intente modificar esta herramienta ni cree accesorios no recomendados para ella. Cualquier alteración o modificación son consideradas mal uso y que podrían causar una situación peligrosa que conduce a posibles heridas graves
- Use sólo los accesorios recomendados para esta sierra caladora. Respete las instrucciones que acompañan a los accesorios. El uso de accesorios inadecuados puede provocar riesgos innecesarios.

⚠ ADVERTENCIA

No utilice ningún accesorio hasta no haber leído completamente las instrucciones o el Manual de usuario de dicho accesorio.

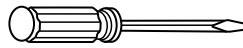
HERRAMIENTAS NECESARIAS PARA EL MONTAJE

Suministran

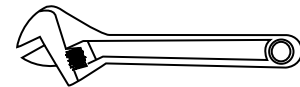


Llave hexagonal de 3 mm

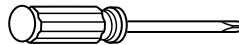
No se suministran



Destornillador ranurado



Llave ajustable



#2 Destornillador Phillips

CONTENIDO DEL EMBALAJE

DESEMBALAJE Y COMPROBACIÓN DE SU CONTENIDO

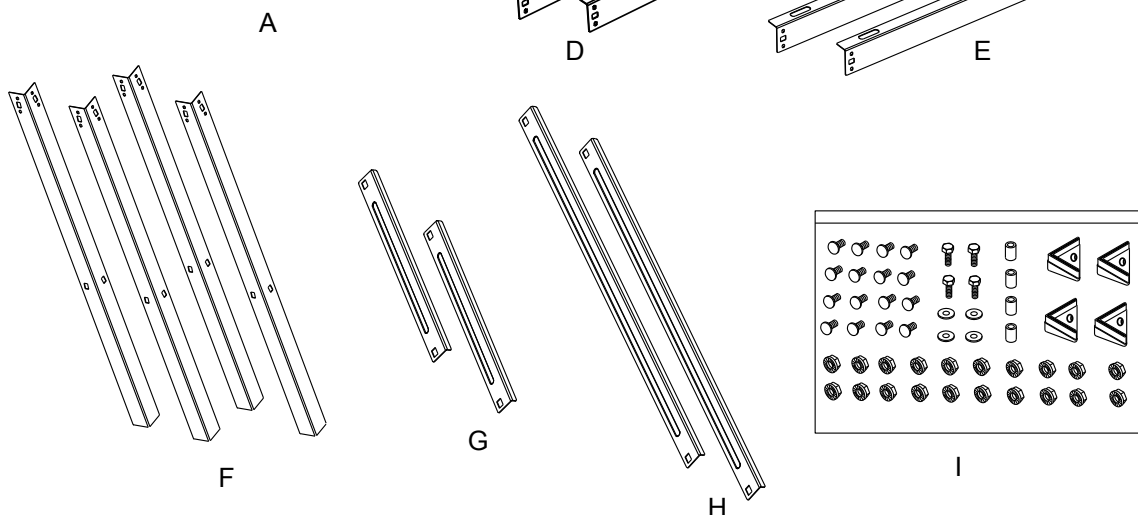
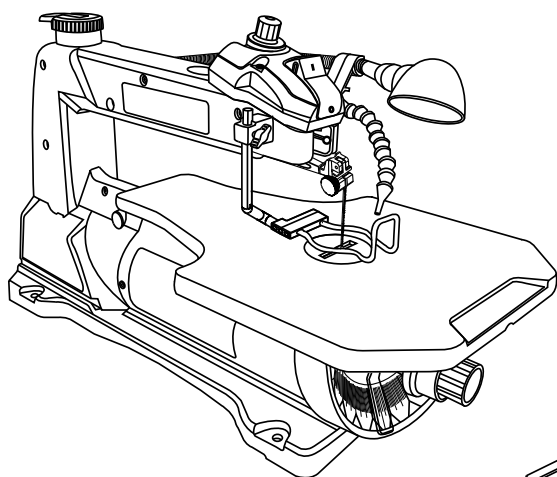
⚠ ADVERTENCIA

- Para evitar lesiones, si falta alguna pieza o está dañada, no enchufe la sierra hasta que se haya cambiado dicha pieza y esté completo el conjunto.
- Para evitar incendios o reacciones tóxicas no use nunca gasolina, acetona, disolvente de lacas o disolventes similares altamente volátiles para limpiar la sierra caladora.

⚠ ADVERTENCIA

Desembale con cuidado la sierra caladora con todas sus piezas y coteje el contenido con la ilustración siguiente.

DESEMBALAJE DE SU SIERRA DE MARQUETERÍA



1. Extraiga la sierra caladora del embalaje levantando la sierra por la parte trasera del bastidor superior.
2. Coloque la sierra en una superficie cie fi rme y examínela meticulosamente.

⚠ ADVERTENCIA

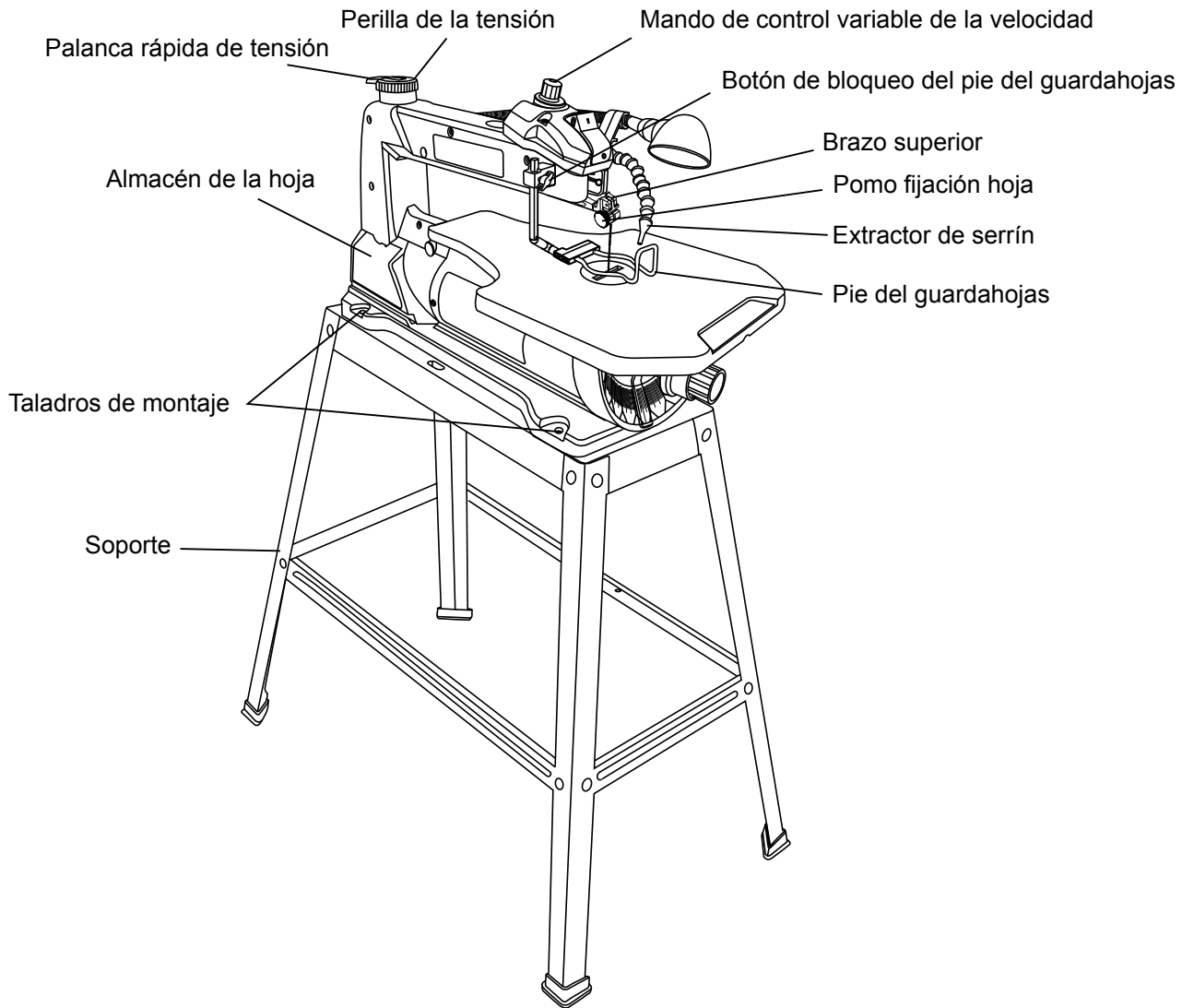
No levante la sierra por el brazo que sujeta la hoja, podría dañar la herramienta.

ELEMENTO	DESCRIPCIÓN	CANTIDAD
A	Montaje sierra de marquetería	1
B	Hoja	1
C	Llave hex.	1

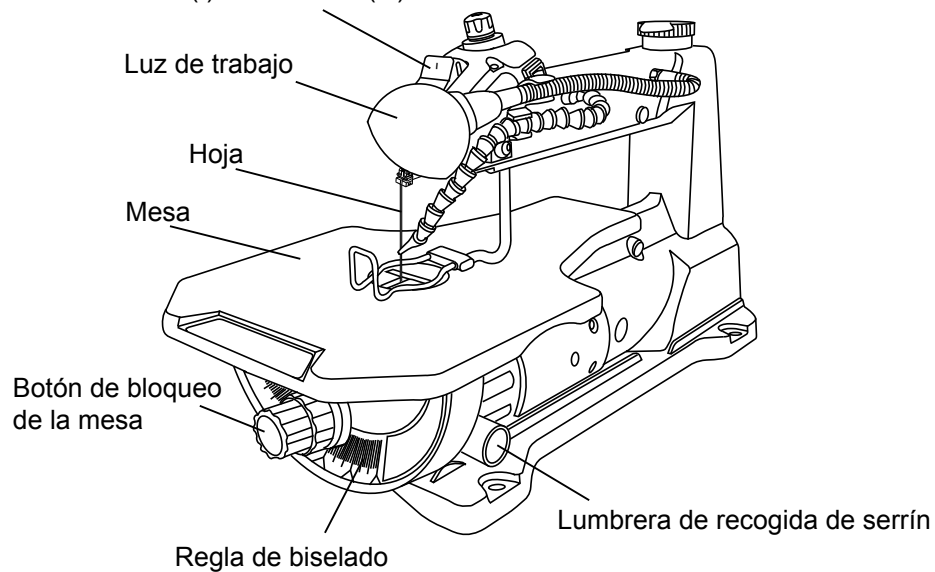
SOPORTE

D	Soporte superior corto	2
E	Soporte superior largo	2
F	Pata	4
G	Soporte inferior corto	2
H	Apoyo inferior largo de soporte	2
I	Base antideslizante para pies	1

FAMILIARÍCESE CON SU SIERRA CALADORA



Interruptor de ENCENDIDO (I) / APAGADO (O)



GLOSARIO DE TERMINOS

TÉRMINOS DE LOS COMPONENTES DE LA SIERRA

REGLA DE BISELES – Representa el grado del ángulo de la mesa desde 0° a 45° cuando la mesa está inclinada para realizar biseles.

PIE DEL GUARDAHOJAS – Protege la hoja y evita que la pieza de trabajo se levante. Contribuye a evitar que los dedos entren en contacto con la hoja.

BOTÓN DE BLOQUEO DEL PIE DEL GUARDAHOJAS – Permite subir o bajar el pie y bloquearlo a la altura deseada.

AMARRES DE LA HOJA – Sujetan y sitúan las hojas.

ALMACENAMIENTO DE HOJAS – Facilita un acceso adecuado a las hojas extras o a las llaves.

PALANCA RÁPIDA DE TENSIÓN – Afl oja o devuelve rápidamente la hoja a su tensión original. La palanca de tensión tensa o vuelve a tensar rápidamente la hoja cuando se realizan cortes interiores o se cambia la hoja.

EXTRACTOR DE SERRÍN – Evita que el serrín tape la línea de mira a fi n de poder realizar cortes más precisos. Se consigue el mejor resultado cuando el tubo de extracción se dirige hacia la hoja y la pieza de trabajo.

LUMBRERA DE RECOGIDA DE SERRÍN – Facilita el uso de accesorios o mangueras de extracción para eliminar el serrín de debajo de la mesa y de la base.

BOTÓN DE BLOQUEO DE LA MESA – Bloquea fi rme mente la mesa en el ángulo que se desee a fi n de realizar biselados.

MANDO DE DEL CONTROL VARIABLE DE LA VELOCIDAD – Rueda variable que permite una gran versatilidad a la hora de cortar materiales diversos. Regule la velocidad al valor deseado, entre 400 a 1.600 sacudidas por minuto (SPM), girando el mando hacia la derecha o la izquierda.

TÉRMINOS DEL TRABAJO CON MADERA

ANCHO ACTIVO DE LA HOJA – El ancho total que cortará la hoja basándose en la distancia que existe entre el punto exterior de un diente inclinado al punto más externo del diente siguiente.

DEFLEXIÓN – Liger o movimiento horizontal de la hoja que se produce mientras la hoja se mueve en el sentido de corte. Puede deberse a que la hoja sigue la veta o el camino de mínima resistencia.

AVANCE – Velocidad a la que se mueve el material con respecto a la hoja para ser cortado por ella.

ANCHO DE CORTE – La ranura que dejará cortada la hoja.

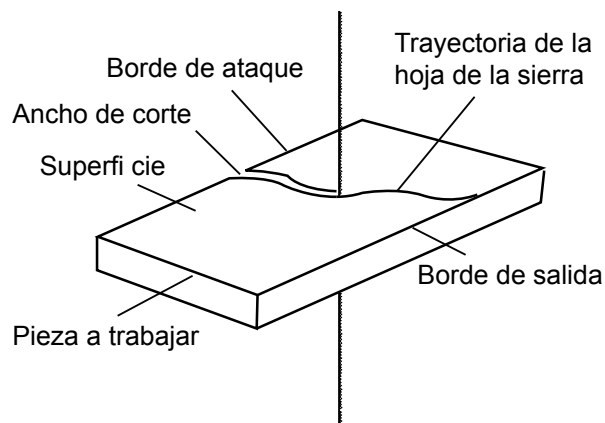
BORDE ATAQUE – El borde delantero de la pieza de trabajo que ataca la hoja.

TRAYECTORIA DE LA HOJA – Área o línea de mira de la pieza de trabajo que se mueve en línea hacia el borde de la hoja de la sierra.

SUPERFICIE – Parte de arriba de la pieza a trabajar.

BORDE DE SALIDA – Extremo del borde la pieza de trabajo cortado en último lugar por la hoja de la sierra.

PIEZA DE TRABAJO – Material sobre el que se realiza el corte.



MONTAJE Y AJUSTES

TIEMPO DE MONTAJE ESTIMADO 15~20 MINUTOS

ENSAMBLADO DEL PEDESTAL (FIG. A)

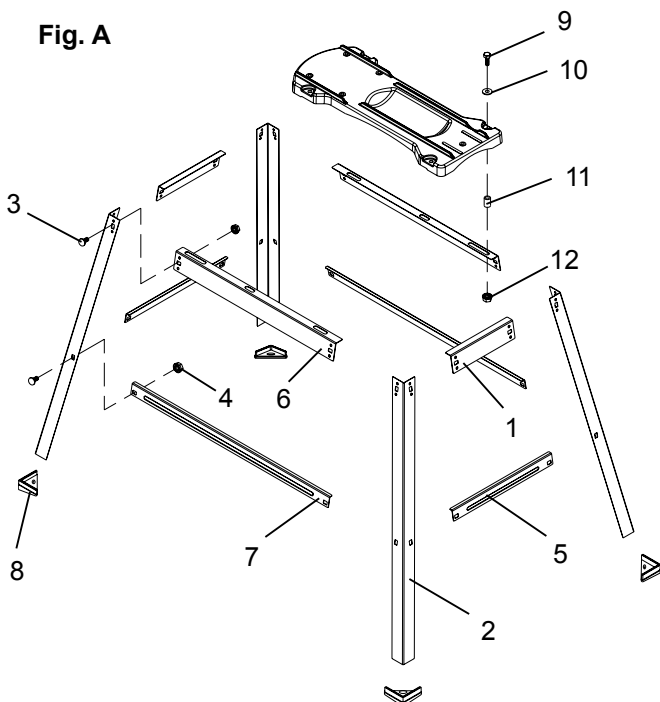
1. Desempaque todas las piezas y agrúpelas según el tipo y el tamaño. Vea la lista de piezas para saber cuáles son las cantidades correctas.
2. Adjuntar el apoyo corto superior (1) a la tapa del pie (2) usando el tornillo (3) y la tuerca (4).

NOTA:

- Alinee los fijadores en la pata de la mesa con el soporte de escuadra para asegurar su ajuste adecuado.
 - No ajuste los pernos hasta que el pedestal esté correctamente alineado (vea el paso N.º 8 antes de ajustarlo).
3. Una el otro extremo de la parte superior corta a la tapa del otro pie usando un tornillo y tuerca
 4. Adjuntar parte inferior corta (5) al centro de cada pie usando el tornillo (3) y la tuerca (4). Esto completa la estructura parte delantera.
 5. Ensamble la parte trasera de la estructura del marco exactamente de la misma manera.
 6. Conectar los conjuntos de bastidor delantero y posterior usando dos apoyos largos superiores (6) y dos apoyos largos inferiores (7), tornillos y tuercas.
 7. Inserte una base antideslizante para pies (8) en la base de la pata. Repita el procedimiento para cada pata.
 8. Coloque la mesa a nivel de la superficie y ajústela para que todas las patas estén en contacto con el suelo y estén en ángulos similares al suelo y a los fijadores en las patas de la mesa alineados con los soportes de escuadra, y luego apriete todos los tornillos.

NOTA: Una vez que haya ajustado los pernos, el pedestal no debe moverse.

Fig. A



⚠ ADVERTENCIA

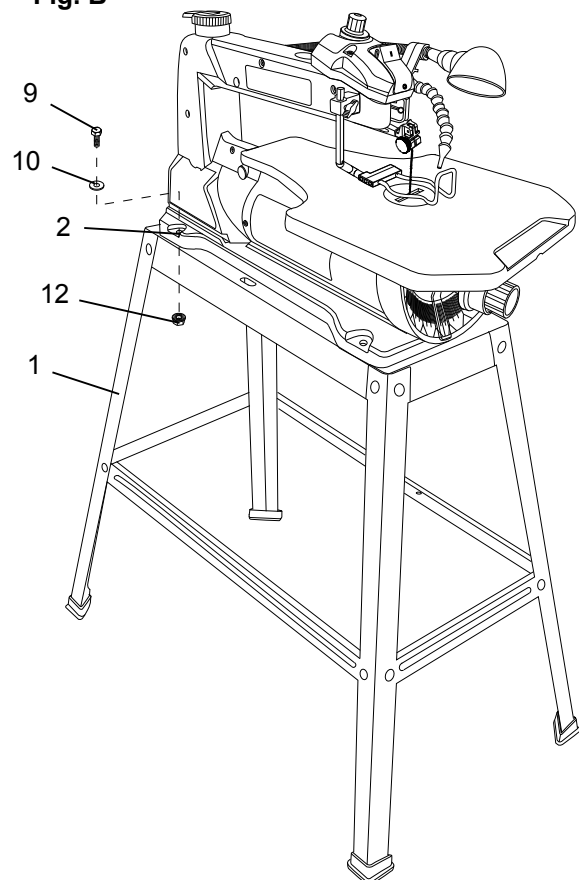
- El soporte está diseñado sólo para usar la sierra de marquetería.
- No subirse, ni sentarse sobre el soporte en el montaje del soporte.
- No usar el soporte sobre superficie desigual o inestable.

MONTAJE DE LA SIERRA DE MARQUETERIA (FIG. A, B)

1. Para montar su sierra de marquetería al soporte, coloque el soporte de pie (1) sobre base estable, nivele la superficie.
2. Adaptar los agujeros (2) de la base de la sierra de marquetería con los agujeros del soporte de pie, coloque la sierra de marquetería sobre el soporte.
3. Asegure el soporte y la sierra usando los tornillos de cabeza hexagonal (9), las arandelas planas (10), el espaciador (11) y las tuercas (12) suministradas.
4. Ajuste las cuatro tuercas.

NOTA: No ajuste demasiado las tuercas que unen la sierra al pedestal. Si lo hace, puede dañar la base de la sierra.

Fig. B



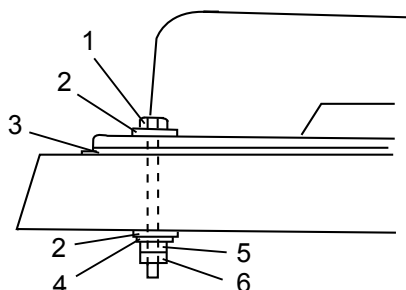
⚠ ADVERTENCIA

Para evitar accidentes, no conecte esta sierra de marquetería con el enchufe de toma de corriente hasta que esté montada y ajustada totalmente, y Usted haya leído y entendido el manual de instrucciones por completo.

MONTAJE DE LA SIERRA CALADORA AL PLANO DE TRABAJO (FIG. C)

1. Si se monta la sierra caladora a un banco de trabajo, es mejor hacerlo en un banco de madera maciza sobre un tablero de contrachapado a fin de reducir el ruido y las vibraciones.
2. La bulonería necesaria para montar la sierra NO viene con ella. El conjunto mostrado en Fig. C debe ser utilizado

Fig. C

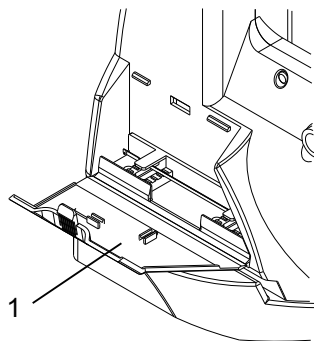


1. (3) Pernos de cabeza hexagonal con la longitud adecuada
2. (6) Arandelas planas
3. Alfombrilla o almohadilla de espuma (opcional)
4. (3) Arandelas freno
5. (3) Tuercas hexagonales
6. (3) Contratuercas

ALMACENAMIENTO DE HOJAS (FIG. D)

El almacén de hojas (1) está situado en la parte lateral trasera izquierda del cuerpo de la sierra. Tire del almacén de hojas (1) para abrirlo. El almacén de hojas puede almacenar perfectamente sus llaves hexagonales y las hojas de sierra con extremo de pasador y liso.

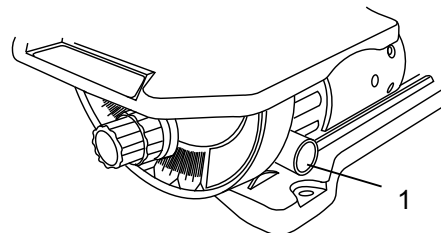
Fig. D



LUMBRERA DE RECOGIDA DE SERRÍN (FIG. E)

Esta sierra de marquetería permite conectar manguera o accesorio de aspiración (no suministrado) que se conectará con la salida (1) en el lado izquierdo de la base. Si la acumulación excesiva de aserrín ocurre dentro de la base, utilice un aspirador de mojado/seco o quite manualmente el aserrín quitando los tornillos del lado izquierdo de la sierra. Vuelva a colocar la placa y los tornillos antes de volver a activar la sierra. Esto hará que su sierra corte con eficiencia.

Fig. E



MONTAJE Y DESMONTAJE DE LA HOJA

DESMONTAJE Y MONTAJE DE HOJAS DE EXTREMO LISO

Esta sierra caladora acepta hojas de extremo liso o con pasador de 5" (12,7 cm) para cortar una amplia variedad de materiales.

Se recomiendan las hojas de extremo liso siempre que haya que realizar cortes delgados, precisos e intrincados en material de 3/4" (1,91 cm) de espesor o menos. El tiempo será más largo en el montaje de la hoja y tensión de la hoja, pero también podrá usar hojas más delgadas para obtener un ancho de corte menor.

⚠ ADVERTENCIA

Antes de cambiar la hoja, y para evitar posibles lesiones por arranque accidental de la máquina, apáguela y desenchufe el cable de suministro de su toma de corriente.

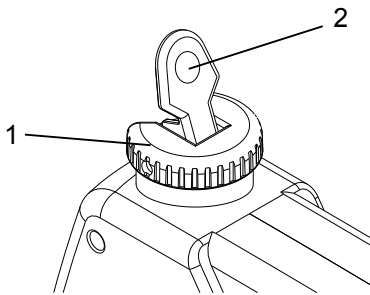
DESMONTAJE DE LA HOJA DE EXTREMO LISO (FIG. F, G, H)

⚠ ADVERTENCIA

Para evitar accidentes, no tocar el fondo del pomo de la tensión (1) al manejar la palanca de liberación rápida (2).

1. Para quitar la hoja, afloje su tensión mediante la palanca de suelta rápida.

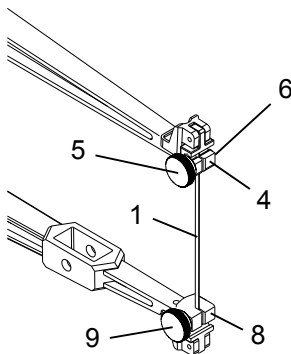
Fig. F



2. Para quitar la hoja (4), afloje su tensión mediante la palanca de suelta rápida (5).

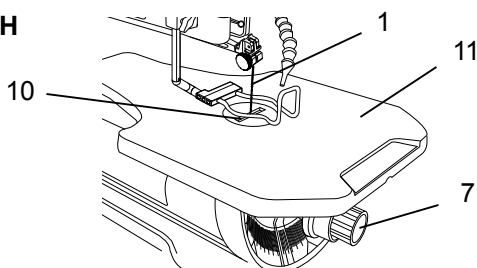
NOTA: El tornillo de presión hexagonal (6) a la derecha se utiliza para los ajustes finos y se ajusta únicamente si la hoja no está perpendicular a la mesa.

Fig. G



3. Inclina la mesa 0° y apriete el botón de biselado (7). Afloje el pomo de fijación de sujeción de la hoja inferior (9) bajo la mesa en el lado izquierdo de la sujeción de la hoja inferior (8) girándolo hacia la izquierda. (Fig. G, H)
4. Extraiga la hoja (1) de sus amarres superior e inferior tirando hacia delante y levantando la hoja de su orificio de acceso (10) en la mesa (11). (Fig. G, H)

Fig. H



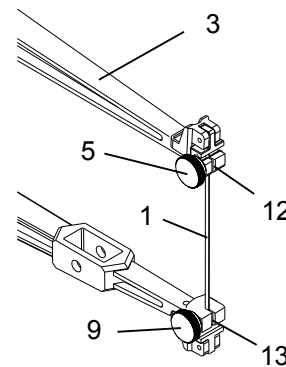
MONTAJE DE LA HOJA DE EXTREMO LISO (FIG. H, I, J)

⚠ ADVERTENCIA

A fin de evitar que se levante la pieza de trabajo, los dientes de la hoja deben mirar SIEMPRE hacia abajo.

1. Monte la hoja por el agujero de acceso situado en la mesa con los dientes mirando hacia abajo.
2. Inserte la nueva hoja en la ranura de amarre inferior (13) y apriete luego el botón de amarre inferior de la hoja (9). (Fig. I)

Fig. I



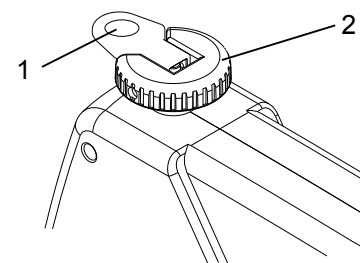
3. Inclina la mesa al ajuste de biselado 0° y bloquee el botón de biselado (7). (Fig. H)
4. Inserte el otro extremo de la hoja en la ranura de amarre superior (12-Fig. I) y apriete luego el botón de amarre rápido (1-Fig. J).

NOTA: Aplique una ligera presión hacia abajo contra el brazo superior (3) cuando monte la hoja en el amarre superior de la hoja. (Fig. I)

5. Tense la hoja con el botón tensor (2) girándolo hacia la derecha. Compruebe la tensión de la hoja. Comprobar la tensión de la hoja. Gire la palanca hacia la derecha, no deje la hoja muy apretada porque se romperá enseguida cuando la vaya a usar. (Fig. J)

NOTA: La palanca de tensión rápida debe estar siempre hacia abajo para hacer los ajustes de tensión. Ponga la palanca hacia arriba sólo cuando cambie la hoja. Si la hoja tiene tensión de más, la palanca se atasca y es difícil de bajar.

Fig. J



DESMONTAJE Y MONTAJE DE HOJAS CON EXTREMO DE PASADOR

⚠ ADVERTENCIA

Para prevenir daños corporales, dé la vuelta a la sierra parada (o) y desconecte siempre el enchufe del enchufe de toma de corriente antes de cambiar la hoja o realizar ajustes.

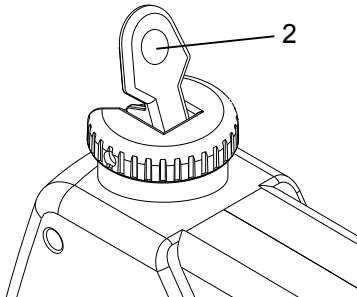
Las hojas de tipo de acabado de alfiler son más gruesas para la estabilidad y montaje más rápido. Estas hojas se emplean siempre que se desee cortar rápidamente materiales diversos y de $\frac{3}{4}$ " (1,91 cm) o más de espesor. Empléense siempre que se acepte una menor precisión o un ancho de corte mayor.

NOTA: Cuando se monten hojas de extremo con pasador, no deben apretarse de más, ni de menos, los tornillos situados en los amarres superior e inferior de la hoja. La ranura debe ser ligeramente más ancha que el espesor de la hoja. Una vez montada la hoja, el mecanismo de tensión de la hoja mantendrá en su sitio el extremo con pasador.

DESMONTAJE DE LA HOJA CON EXTREMO DE PASADOR (FIG. K, L)

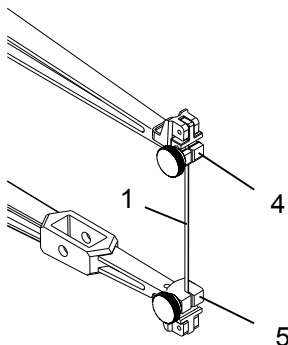
1. Para sacar la hoja, afloje la tensión levantando la palanca de tensión de liberación rápida. (Fig. K)

Fig. K



2. Extraiga la hoja (1) del amarre superior (4) e inferior (5) empujando hacia delante para soltarla y levantando la hoja por el orificio de acceso. (Fig. L)

Fig. L



3. Incline la mesa un ángulo de 45° y bloquee el botón de bloqueo del bisel para ver el amarre inferior de la hoja (5). (Fig. L)

NOTA: Aplique una ligera presión hacia abajo en el brazo superior cuando extraiga la hoja del amarre superior de la hoja.

MONTAJE DE LA HOJA CON EXTREMO DE PASADOR (FIG. M, N)

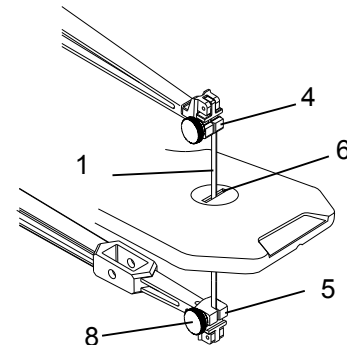
NOTA: No apriete los botones de bloqueo cuando emplee hojas con extremo de pasador.

⚠ ADVERTENCIA

A fin de evitar que se levante la pieza de trabajo, los dientes de la hoja deben mirar SIEMPRE hacia abajo.

1. Monte la hoja (1) insertando uno de sus extremos por el agujero de acceso (6) o la garganta de la mesa. Enganche el pasador inferior de la hoja en el alojamiento del pasador del amarre de la hoja inferior (5) y luego el pasador superior de la hoja en el amarre superior (4). (Fig. M)

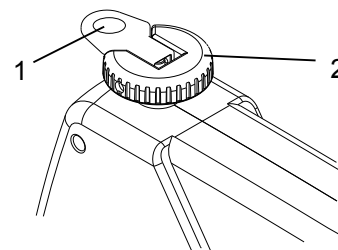
Fig. M



2. Asegúrese que los pasadores están correctamente colocados en superior (4) y el inferior (5) del agujero de la hoja.
3. Para tensar la hoja (1-Fig. M), baje la palanca rápida de tensión (1). Compruebe la tensión de la hoja; si la tensión es demasiada, gire el botón (2) hacia la izquierda. Si la tensión es poca, gire el botón (2) a la derecha (Fig. N).

NOTA: Si la hoja está tensada de más, será difícil bajar la palanca y podría averiarse el amarre de la hoja en el brazo.

Fig. N



REGULACIÓN DEL PIE DEL GUARDAHOJAS (FIG. O, P)

NOTA: El usuario debe mantener una presión constante en la pieza de trabajo durante el corte; el pie del guardahojas no se ha diseñado para sujetar la pieza sino más bien como protección para evitar que ésta se levante excesivamente.

Cuando se corte en ángulo, el pie del guardahojas (1) debe regularse de modo que quede paralelo a la mesa y descansa plano por encima de la pieza.

1. Para regularlo, afloje el tornillo (2-Fig. P), incline el pie de modo que quede paralelo a la mesa y apriete el tornillo.
2. Afloje el botón (3) para subir o bajar el pie hasta que descansa ligeramente sobre la pieza a trabajar. Apriete el botón.
3. Para quitar el pie protector de la hoja (1) afloje los tornillos hexagonales (2) empleando una llave plana fija girando el tornillo hacia la izquierda. (Fig. P)

NOTA: El tapón (4) del pie protector de la hoja solo es usado para cortes de 0°. Para evitar el contacto del pie protector de la hoja, ajuste el pie a la posición deseada de biselado.

Fig. O

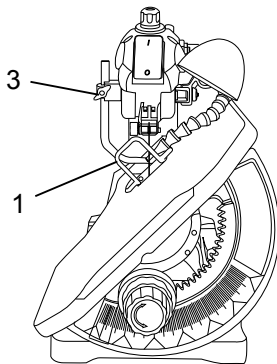
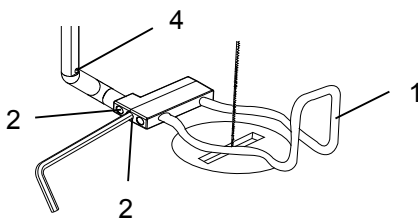


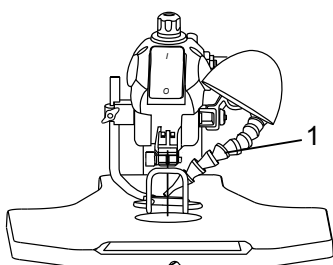
Fig. P



EXTRACTOR DE SERRÍN (FIG. Q)

El extractor de serrín (1) debería situarse de modo que apunte a la hoja y la pieza a trabajar; de este modo se extrae el serrín de la línea de corte. No se ha diseñado para extraer todo el serrín de la mesa.

Fig. Q



SELECCIÓN DE LA HOJA (FIG. R)

⚠ ADVERTENCIA

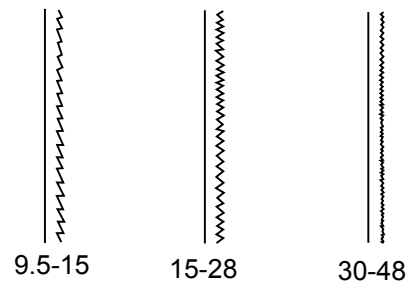
Para evitar las lesiones que pudiera provocar un arranque accidental, apague siempre la sierra caladora y desenchúfela antes de desplazarla, cambiar la hoja o regularla.

Esta sierra caladora acepta hojas de 5" (12,7 cm) de largo con una amplia gama de espesores y anchos de hoja. El tipo de las operaciones del material y del corte (tamaño del radio o de la curva) determinará el número de dientes por pulgada. Seleccione en general, siempre las hojas más estrechas para el corte en curva y las hojas más anchas para operaciones rectas y corte de grandes curva

La tabla siguiente establece unas recomendaciones en función de los diversos materiales. Cuando se compren hojas, consulte la parte posterior del envase para ver el uso recomendado para dicha hoja y las velocidades en los distintos materiales.

Use esta mesa como un ejemplo, pero la práctica y su propia preferencia personal determinarán el mejor método de selección.

Fig. R



DIENTES/ PULGADA (TPI)	ANCHO DE LA HOJA (PULGADAS)	ESPELOR DE LA HOJA (PULGADAS)	HOJA / SPM	CORTE DE MATERIAL
9.5-15	0.110	0.018	400-1200	Giros medios en madera, metales blandos y maderas nobles de 1/4" a 1-3/4" (0,64 a 4,45 cm)
15-28	.055-.110	.010-.018	800-1800	Giros pequeños en madera, metales blandos y maderas nobles de 1/4" a 1-1/2" (0,64 a 3,81 cm)
30-48	.024-.041	.012-.019	Varies	Metales no férricos/ maderas nobles que necesiten velocidades muy bajas.

NOTA: Cuando se usen las hojas, algunas veces deberá cambiar la velocidad para adaptarse al trabajo que se realice con curvas muy pronunciadas, de poco radio o de diámetro pequeño. Las hojas más delgadas tendrán más posibilidades para la deflexión cuando se corten ángulos que no sean perpendiculares a la mesa. Para más detalles, lea el FUNCIONAMIENTO BÁSICO DE LA SIERRA CALADORA.

NOTA: La hoja debe montarse con los dientes mirando hacia abajo, tal como muestra la Fig. R; de este modo se evita que la pieza salte hacia arriba por la acción de la hoja.

FUNCIONAMIENTO

CAMBIO DE LA BOMBILLA (FIG. S)

1. Use sólo una bombilla de 10 W como máximo. Apague (O) el interruptor de luz y desenchufe la sierra.
2. Quite la bombilla antigua. Coloque la bombilla nueva en su casquillo.

ADVERTENCIA

- Prevenir lesión a causa del calor de la bombilla. Nunca toque la bombilla.
- Para prevenir descargas eléctricas. Nunca toque la cabeza del enchufe cuando esté conectado al enchufe de toma de corriente.

INTERRUPTOR DE ENCENDIDO (I) /APAGADO (O) (FIG. S)

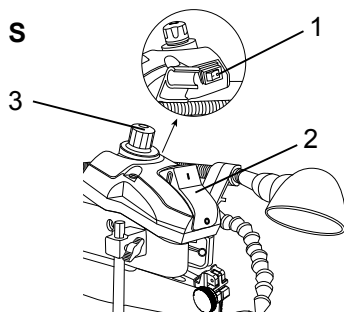
1. Para encender (I) o apagar (O), pulse el interruptor (2).

BOTON DE CONTROL DE VELOCIDAD VARIABLE (FIG. S)

El mando de variación de la velocidad brinda más versatilidad a la hora de cortar diversos materiales, tales como madera, plástico, metales no férreos, etc. En función de la dureza y del espesor del material, la velocidad debe reducirse para facilitar el que los dientes de la hoja extraigan la viruta del ancho de corte.

1. Su sierra va equipada con una ruedecilla de variación de la velocidad (3). Para regular la frecuencia de vaivén basta girar la ruedecilla. Para incrementar la velocidad (1), gire la ruedecilla hacia la derecha. Para incrementar la velocidad, gire la ruedecilla hacia la derecha.

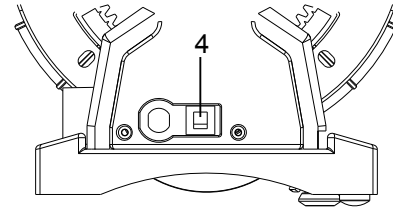
Fig. S



DISYUNTOR DE SOBRECARGA (FIG. S, T)

Cuando el motor se recalienta durante el trabajo, el disyuntor de sobrecarga (4) parará el motor automáticamente para evitar que se averíe el motor. Dé al conmutador (2-Fig. S) para APAGAR la sierra y no vuelva a arrancar hasta que el motor se haya enfriado. Pulse el disyuntor (4) y dé al conmutador (2-Fig. S) para ARRANCAR la sierra.

Fig. T



RECOMENDACIONES PARA CORTAR

1. Cuando se alimente la pieza de trabajo en la hoja, no fuerce el borde de ataque de la pieza sobre la hoja porque ésta se doblará, se tendrá menos precisión de corte y es muy posible que se rompa la hoja. Deje que la sierra corte el material guiando la pieza por la hoja a medida que ésta la va cortando.
2. Los dientes de la hoja cortan el material SÓLO en la carrera de bajada.
3. Deberá guiar la madera lentamente hacia la hoja porque los dientes son muy pequeños y sólo extraen material en la carrera de bajada.
4. Cada persona que usa la sierra tiene su propia curva de aprendizaje. Durante este periodo de aprendizaje es lógico que se rompan algunas hojas hasta lograr dominar el trabajo, en cuyo momento se puede ya sacar el mejor rendimiento a las hojas.
5. Los mejores resultados se logran cuando se corta madera de menos de una pulgada (2,54 cm) de grosor.
6. Cuando se corta madera de más de una pulgada de grosor, el usuario, a fin de maximizar la vida de la hoja, debe guiar la madera muy lentamente hacia la hoja y adoptar muchas precauciones para que no se le doble ni tuerza la hoja.
7. Los dientes de las hojas de la sierra caladora se desgastan y hay que cambiarlos con frecuencia para conseguir los mejores resultados de corte. Las hojas de la sierra caladora conservan el afilado entre ½ y 2 horas de corte.
8. Para lograr cortes precisos, prepárese para compensar la tendencia que tiene la hoja a seguir la veta.
9. Esta sierra caladora está pensada para cortar madera o productos de madera. Las maderas nobles y los metales no férreos se comportan bien en las sierras caladora de muy baja velocidad y deben lubricarse con aceite de máquina o cera de abeja.
10. Cuando elija una hoja para su sierra caladora, escoja hojas estrecha y muy delgadas para cortar madera delgada de ¼" de grosor o menos. Use hojas más anchas para los materiales más gruesos, pero tenga en cuenta que ello reduce la capacidad de hacer cortes muy sinuosos.

11. Esta sierra utiliza hojas de 5" (12,7 cm) de largo de extremo con pasador o liso.
12. Las hojas se desgastan antes cuando se corta contrachapado o tableros de partículas, que son muy abrasivos. El corte en ángulo de maderas duras reduce el ancho activo de corte de la hoja debido a la deflexión de la misma.

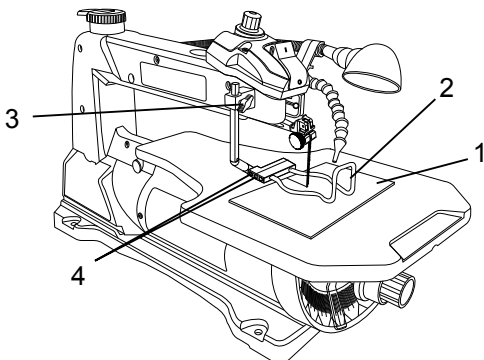
CORTE A MANO (FIG. U)

⚠ ADVERTENCIA

Para evitar las lesiones causadas por un arranque accidental, cerciórese de que el interruptor está en la posición OFF (O) y que el enchufe no está conectado a la toma de corriente.

1. Trace el diseño que desee realizar o sujete el diseño a la pieza de trabajo (1).
2. Levante el guardahojas (2) afl ojando el botón de regulación de altura (3).
3. Coloque la pieza a trabajar contra la hoja y sitúe el pie del guardahojas ligeramente por encima de la superficie superior de la pieza de trabajo.
4. Sujete el guardahojas (2) apretando el botón de regulación de altura (3).
5. Saque la pieza de trabajo de la hoja antes de arrancar la sierra caladora. Tire del botón de variación de la velocidad (4) y ponga la velocidad que desee girando hacia la derecha o la izquierda.
PRECAUCIÓN: Para evitar que se levante la pieza, y para reducir las posibles roturas de la hoja, NO ARRANQUE (I) la sierra si la pieza apoya contra la hoja.
6. Cuando ARRANQUE (I) la sierra caladora, sitúe la pieza a trabajar contra una madera inútil antes de que toque el borde de ataque la hoja.
7. Alimente lentamente la pieza de trabajo hacia la hoja guiando y presionando la pieza contra la mesa.
PRECAUCIÓN: No fuerce el borde de ataque de la pieza contra la hoja. La hoja se doblará, se reducirá la precisión del corte y puede romperse.
8. Cuando haya terminado de cortar, desplace el borde de salida de la pieza a trabajar más allá del guardahojas. Apague la sierra.

Fig. U



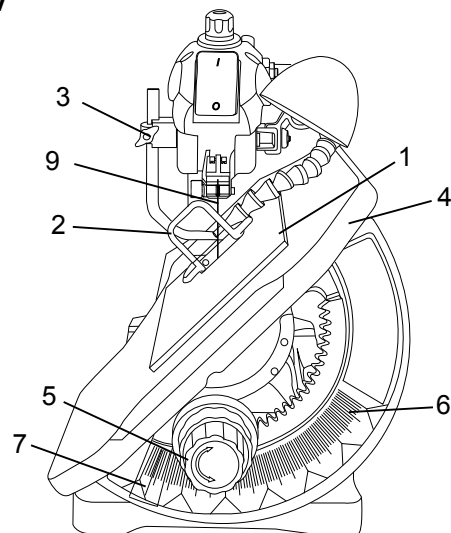
CORTE EN ÁNGULO (FIG. U, V)

⚠ ADVERTENCIA

- Antes de mover la sierra, cambiar la hoja o realizar ajustes, y para evitar las lesiones causadas por un arranque accidental, cerciórese de que el interruptor está en la posición OFF (O) y que el enchufe no está conectado a la toma de corriente.
- Para evitar lesiones, siempre mantenga sus manos debajo de la mesa durante el funcionamiento.

1. Trace o sujete el diseño a la pieza de trabajo (1).
2. Levante el guardahojas (2) a la posición más elevada afl ojando el botón de regulación de altura (3) y vuelva a apretarlo.
3. Incline la mesa (4) hasta el ángulo deseado afl ojando el botón de bloqueo de la mesa (5) y mueva la mesa hasta alcanzar dicho ángulo, ayudándose con la regla graduada (6) y el indicador (7).
4. Apriete el botón de bloqueo (5) de la mesa.
5. Afl oje el tornillo del guardahojas (4-Fig. U) e incline el guardahojas hasta el mismo ángulo que la mesa (4). Vuelva a apretar el tornillo del guardahojas.
6. Sitúe la pieza a trabajar a la izquierda y derecha de la hoja (9). Baje ligeramente el pie del guardahojas sobre la superficie afl ojando el botón de regulación de la altura (3).
7. Siga los pasos 4-8 del CORTE A MANO.

Fig. V



REGADO O CORTE EN LÍNEA RECTA (FIG. W)**⚠ ADVERTENCIA**

Para evitar lesiones al comenzar de forma accidental, asegúrese que el interruptor está apagado en la posición OFF (o) y el enchufe no está conectado con el enchufe de toma de corriente antes de mover, sustituir la hoja o realizar ajustes.

Herramientas necesarias (No incluidas)

CANTIDAD	DESCRIPCIÓN
2	Pinzas pequeñas
1	Regla o cinta métrica
1	Trozo recto de madera de 12" (30,48) (Espesor correspondiente al de la pieza a trabajar)

1. Levante el pie del guardahojas (1) aflojando el botón de regulación de la altura (2) del lado derecho del brazo superior. Mida desde la punta de la hoja (3) la distancia que desee. Sitúe el borde recto (4) paralelo a la hoja a esa distancia.
2. Sujete el borde recto (4) a la mesa (5).
3. Vuelva a comprobar las medidas con la pieza a cortar y cerciórese de que el trozo de madera está bien sujeto.
4. Coloque la pieza a trabajar contra la hoja y sitúe el pie del guardahojas (1) ligeramente sobre la superficie superior de la pieza de trabajo.
5. Asegure el pie protector de la hoja en su lugar apretando el pomo de fijación del pie protector de la hoja.
6. Saque la pieza de trabajo de la hoja antes de arrancar la sierra caladora. Ponga la velocidad adecuada girando el botón de variación de la velocidad hacia la derecha o la izquierda.

⚠ ADVERTENCIA

Para evitar el levantamiento no controlado de la pieza a cortar y reducir la rotura de la hoja, no de la vuelta a la sierra en marcha ON (I) mientras que la pieza a cortar esté contra la hoja

7. Sitúe la pieza a trabajar contra el borde recto (4) antes de hacer que el borde de ataque de la pieza toque la hoja (3).
8. Alimente lentamente la pieza en dirección a la hoja guiándola contra el borde recto y presione la pieza contra la mesa mientras realiza el corte.

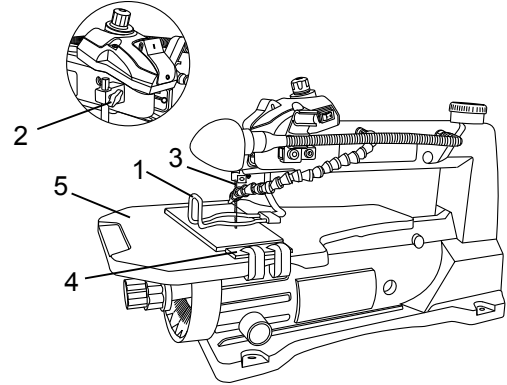
⚠ ADVERTENCIA

No fuerce la pieza cortar contra la hoja. La hoja se desviará, reduciendo la exactitud del corte y provocar su rotura

9. Cuando se haya terminado de cortar, desplace el borde de salida de la pieza a trabajar más allá del guardahojas. APAGUE (O) la sierra.

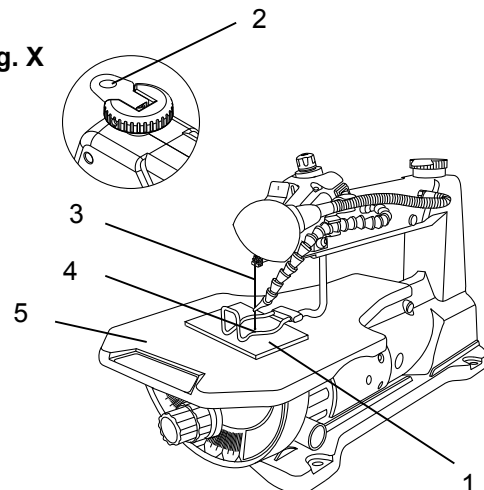
NOTA: Cuando corte una pieza estrecha use palitos para empujar.

Fig. W

**CORTE INTERIOR (FIG. X)**

1. Colocar el diseño sobre la pieza a cortar (1). Taladre un agujero de 1/4 en la pieza a cortar.
2. Afloje la palanca de tensión fijación rápida (2) y quite la hoja (3). Hace referencia al desmontaje y la instalación de la hoja.
3. Coloque la pieza a cortar sobre la mesa de sierra con el agujero (4) coincidiendo con el agujero de acceso de la mesa (5).
4. Coloque la hoja (3) a través del orificio de la pieza de trabajo y baje la palanca rápida de tensión (2).
5. Siga las indicaciones 3-8 en OPERACIONES DE CORTE A MANO ALZADA.
6. Cuando haya acabado de realizar la forma interior APAGUE (O) la sierra, extraiga la hoja del amarre y retire la pieza de la mesa.

Fig. X



MANTENIMIENTO

⚠ ADVERTENCIA

Por su propia seguridad, **APAGUE** la máquina y **desenchúfela** antes de empezar cualquier tarea de mantenimiento.

GENERALIDADES

Una ligera capa de cera sobre la superficie de la mesa de trabajo facilitará el deslizamiento suave de la madera a cortar.

MOTOR

1. Si el cable alimentador está gastado, cortado o dañado de alguna forma, haga que un electricista certificado lo reemplace inmediatamente.
2. No intente engrasar los rodamientos del motor ni reparar las piezas de su interior.

REEMPLAZO DE LAS ESCOBILLAS DE CARBON (FIG. Y, Z)

Para inspeccionar o cambiar las escobillas, primero desenchufe la sierra.

1. Retire la cubierta lateral izquierda (1) aflojando los dos tornillos (2).
2. Retire el capuchón plástico negro (3) en el costado del motor (4).
3. Cuidadosamente retire el capuchón accionado por resorte.
4. Hale la escobilla y cámbiela.
5. Reemplace por el otro lado a través del agujero (5-Fig. Z) en el lado derecho de la sierra caladora.
6. Apriete el capuchón para que quede ceñido pero no apriete demasiado.

NOTA: Para volver a instalar las mismas escobillas, primero asegúrese de que ingresen en la misma forma en que salieron. Esto evitará un período de adaptación, que reduce el rendimiento del motor y aumenta el desgaste.

Fig. Z

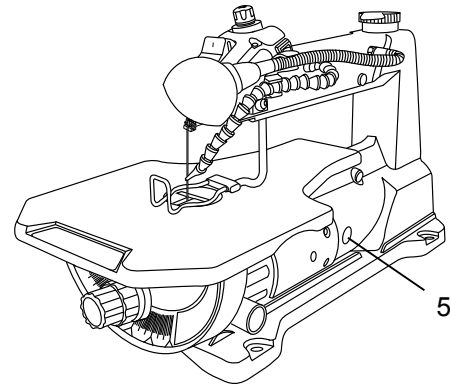
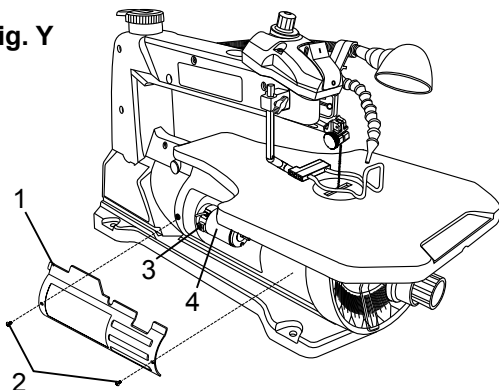


Fig. Y



GUIA PARA LA SOLUCION DE PROBLEMAS

⚠ ADVERTENCIA

Para evitar lesiones por encendidos accidentales, ponga el interruptor en la posición de APAGADO (O) y desconecte siempre el enchufe de la fuente de energía antes de realizar los ajustes.

- Si por cualquier motivo el motor no funciona, póngase en contacto con el centro de reparaciones autorizado de Hitachi.

PROBLEMA	CAUSA DEL PROBLEMA	SOLUCIÓN RECOMENDADA
Rotura de las hojas	<ol style="list-style-type: none"> 1. Tensión inadecuada. 2. Hojas sobrecargadas. 3. Hoja incorrecta. 4. Giro de la hoja en la madera. 	<ol style="list-style-type: none"> 1. Regule la tensión de la hoja. Vea la sección de MONTAJE Y DESMONTAJE DE LA HOJA. 2. Reduzca el avance de la pieza. Vea la sección de MONTAJE Y DESMONTAJE DE LA HOJA. 3. Emplee una hoja estrecha. Vea la sección de MONTAJE Y DESMONTAJE DE LA HOJA. 4. Evite la presión lateral en la hoja. Vea la sección de MONTAJE Y DESMONTAJE DE LA HOJA.
El motor no va.	<ol style="list-style-type: none"> 1. Cable o enchufe defectuoso. 2. Motor defectuoso. 3. Disyuntor de sobrecarga fundido. 	<ol style="list-style-type: none"> 1. Cambie las piezas defectuosas antes de usar la sierra de nuevo. Vea la sección de SEGURIDAD Y REQUISITOS ELÉCTRICOS. 2. Llame al servicio de asistencia técnica. Cualquier intento de reparar este motor puede crear un RIESGO a menos que sea un técnico cualificado quien realice la reparación. 3. Ponga el interruptor del motor en la posición OFF (O). Deje que se enfríe el motor. Vea la sección de OPERACIÓN-DISYUNTOR DE SOBRECARGA.
Vibración excesiva. NOTA: Debido al giro del motor, siempre habrá algo de vibración cuando la sierra esté funcionando.	<ol style="list-style-type: none"> 1. Montaje incorrecto de la sierra. 2. Superficie de montaje inadecuada. 3. Mesa floja o la mesa descansa contra el motor. 4. Montaje del motor flojo. 	<ol style="list-style-type: none"> 1. Consulte las instrucciones de montaje de este manual para ver la técnica de montaje correcta. 2. Cuanto más pesado sea el banco de trabajo, menor será la vibración que se produzca. Un banco de trabajo de contrachapado no será tan bueno como un plano de trabajo del mismo tamaño pero de madera maciza. 3. Apriete el botón de bloqueo de la mesa. 4. Apriete el tornillo de montaje del motor.
Hoja suelta. La hoja no está alineada con el movimiento del brazo.	<ol style="list-style-type: none"> 1. Los amarres de la hoja no están alineados. 	<ol style="list-style-type: none"> 1. Afloje los tornillos que sujetan el amarre de la hoja a los brazos. Regule la posición de los amarres de la hoja. Vuelva a apretar los tornillos. Vea la sección de MONTAJE Y DESMONTAJE DE LA HOJA.

PARTS LIST

16" SCROLL SAW PARTS LIST FOR SCHEMATIC

MODEL NO. CW 40

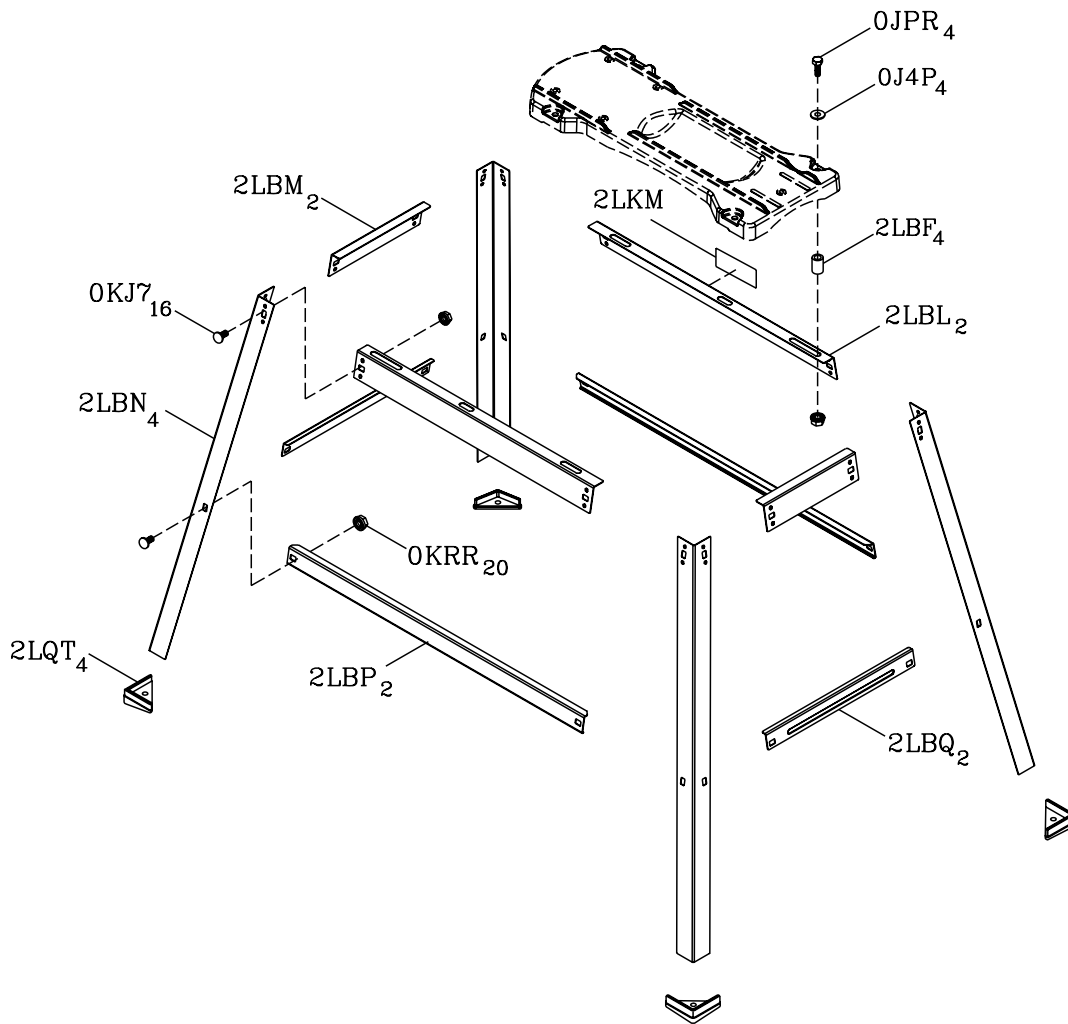
Always order by I.D. Number

Parts No.	I.D.	Description	Size	QTY	Parts No.	I.D.	Description	Size	QTY
726360	04Q4	STICKER		1	726616	0KQX	NUT	M6*1.0 T=6	2
327326	08JA	SPRING		1	726617	0KQY	NUT CHUCK	M8*1.25 T=8	1
327327	0A98	COMPRESSION SPRING		1	326453	0KTH	STRAIN RELIEF		1
327328	0AM3	WASHER		1	325733	0KUX	TERMINAL		1
327329	0AMW	SET PLATE		2	327372	0L71	POWER CABLE		1
327330	0AMX	CLAMP BOLSTER		1	327373	0LSR	CIRCUIT BREAKER SWITCH		1
327331	0C0R	CLAMP BOLSTER		1	327374	0LYN	STEEL BALL	φ10	1
327332	0C10	BLADE		1	327375	0QD5	BRUSH ASS'Y		2
327333	0C12	BLADE		1	327376	0QD7	BRUSH COVER		2
327334	0C15	BEARING SEAT		4	327377	0U7V	CR. RE. TRUSS HD. TAPPING SCREW	M4*16-16	1
327335	0C1N	BEARING PROTECTOR		1	327378	0U7W	HEX SOC. HD. CAP SCREW	M5*0.8-16	1
327336	0CDD	FOOT PAD		4	327379	0ZW4	MOTOR		1
327337	0DDW	UPPER ARM ROCKER ASS'Y		1	327380	0ZW9	BRACKET-TILT		1
327338	0DE5	HEX SOC. TRUSS HD. SCREW	M6*1.0	2	327381	0ZWA	TRUNNION BRACKET		1
327339	0DF1	CONTROLLER ASS'Y		1	327382	0ZWG	BEARING SEAT ASS'Y		1
327340	0DF6	BELLOWS		1	327383	0ZWH	BEARING SEAT		1
327341	0DF8	PLUG HOUSING		1	327384	0ZWJ	BUSH		2
327342	0EQK	BLADE HOLDER		1	327385	0ZWK	POINTER		1
327343	0ES8	PVC HOSE		1	327386	0ZWL	HOUSING		1
327344	0FPN	EXTENSION SPRING		1	327387	0ZWW	SPACER		1
327345	0G1U	DUST SHIELD		4	327388	0ZWW	LINGAGE BAR		1
327346	0GXP	CLAMP-CORD		4	327389	0ZWX	BOTTOM ARM ROCKER		1
327347	0GXQ	PLUNGER HOUSING		1	327390	0ZX1	CONNECTOR BOX		1
327348	0GXR	SHAFT-PIVOT		1	327391	0ZX3	CONNECTOR BOX COVER		1
327349	0HFU	SPACER		1	327393	10QX	ECCENTRIC ASS'Y		1
327350	0HVE	BALL BEARING		1	327394	10RW	ECCENTRIC		1
327351	0HY0	SPHERICAL BEARING		1	327395	10RX	SPONGE		1
726472	0J3M	HEX WRENCH		1	327396	10RZ	FLAT WASHER	φ8*28-2.5	1
326838	0J4U	FLAT WASHER	φ6*18-1.5	7	327397	20P1	CLAMP PLATE		1
327352	0J66	FLAT WASHER	φ4*10-1	1	327398	20XY	HEX SOC. HD. CAP SCREW	M6*1.0-20	2
327353	0J91	SPRING WASHER	φ4	6	327399	22VH	HOUSING RIGHT		1
726501	0JAE	EXTERNAL TOOTH LOCK WASHER	φ4	1	327400	27Y7	LEAD WIRE ASS'Y		1
726502	0JAF	EXTERNAL TOOTH LOCK WASHER	φ5	1	327401	2AN6	SWITCH BOX COVER		1
726503	0JAZ	WAVE WASHER	WW-6	1	327402	2AN8	TABLE		1
327354	0JB0	WAVE WASHER	WW-8	2	327403	2AN9	SWITCH BOX		1
	0JCW	PARALLEL PIN		1	327404	2AYB	BASE		1
726526	0JPG	HEX HD. BOLT	M6*1.0-30	5	327410	2BY8	ROCKET SWITCH		2
327355	0JU4	HEX SOC. HD. CAP BOLT	M4*0.7-10	2	327414	2L99	SUPPORT ROD		1
327356	0JU6	HEX SOC. HD. CAP BOLT	M4*0.7-16	2		2LBE	LABEL		1
327357	0JUZ	HEX SOC. HD. CAP BOLT	M8*1.25-40	1	327415	2LBG	INSERT		1
327358	0JVD	HEX SOC. HD. CAP BOLT	M5*0.8-35	1	327416	2LBH	TENSION HANDLE		1
726534	0JX7	HEX SOC. SET SCREW	M6*1.0-6	4	327417	2LBJ	PLUNGER HANDLE		1
327359	0JXR	HEX SOC. SET SCREW	M8*1.25-8	2	327418	2LBR	GUIDE CLAMP		1
327360	0K23	HEX SOC. HD. CAP SCREW	M6*1.0-16	2	327419	2LBS	PUSH BUTTON		1
726539	0K2B	HEX SOC. HD. CAP SCREW	M6*1.0-16	3	327420	2LBT	INDICATED BUTTON		1
326844	0K56	CR. RE. COUNT HD. SCREW	M5*0.8-12	2	327421	2LBU	AIR DUCT ASS'Y		1
327361	0K70	CR. RE. TRUSS HD. SCREW	M4*0.7-16	1	327422	2LBV	PLATE COVER		1
726552	0K71	CR. RE. TRUSS HD. SCREW	M5*0.8-8	2	327423	2LBW	BOLT CLAMP		2
726556	0K7G	CR. RE. ROUND WASHER HD. SCREW	M5*0.8-12	1	327424	2LBX	LINGAGE BAR ASS'Y		1
327362	0K9X	DRIVE SCREW	φ2.3-5	2	327425	2LBY	HOLDER BLADE ASS'Y		1
327363	0KA9	CR. RE. PAN HD. TAPPING SCREW	M3*24-10	2	327426	2LBZ	HOLDER BLADE ASS'Y		1
327364	0KBC	CR. RE. PAN HD. TAPPING SCREW	M5*16-25	2	327427	2LC1	PLUNGER HOUSING		1
327365	0KBD	CR. RE. PAN HD. TAPPING SCREW	M4*18-25	4	327428	2LCP	BLADE BOX		1
327366	0KCG	CR. RE. TRUSS HD. TAPPING SCREW	M4*16-8	3	327429	2LFT	BOLT CLAMP		1
327367	0KD7	CR. RE. PAN HD. SCREW	M4*0.7-10	1		2LK4	TRADE-MARK LABEL		1
327368	0KDK	CR. RE. PAN HD. SCREW	M5*0.8-16	3		2LK5	LABEL		1
326846	0KDM	CR. RE. PAN HD. SCREW	M5*0.8-20	3		2LK6	TRADE-MARK LABEL		1
726581	0KDR	CR. RE. PAN HD. SCREW	M5*0.8-10	6		2LKR	CAUTION LABEL		1
327369	0KEE	CR. RE. PAN HD. SCREW	M5*0.8-50	4		2LKS	TILTING SCALE		1
327370	0KKJ	CR. RE. PAN HD. ROUND NECK SCREW	M4*0.7-12	2		2LLF	LAMP ASS'Y		1
327371	0KMQ	HEX NUT	M4*0.7 T=3.2	2		2LQ3	INSTRUCTION MANUAL		1
726615	0KQW	NUT CHUCK	M5*0.8 T=5	1					

16" SCROLL SAW
PARTS LIST FOR STAND

MODEL NO. CW 40

Parts No.	I.D. NO.	Description	Size	QTY
327431	0J4P	FLAT WASHER	φ8*16-1.4	4
327432	0JPR	HEX. HD. BOLT	M8*1.25-40	4
726591	0KJ7	CAP HD. SQ.NECK BOLT	M8*1.25-16	16
726621	0KRR	SERRATED TOOTHED HEXAGON FLANGE NUT	M8*1.25 T=7.5	20
327434	2LBF	SLEEVE		4
327435	2LBL	LONG UPPER SUPPORT		2
327436	2LBM	SHORT UPPER SUPPORT		2
327437	2LBN	LEG		4
327438	2LBP	LONG BOTTOM SUPPORT BRACKET		2
327439	2LBQ	SHORT BOTTOM SUPPORT BRACKET		2
	2LKM	LABEL		1
	2LQT	CUSHION		4



Issued by

 **Hitachi Koki Co., Ltd.**

Shinagawa Intercity Tower A, 15-1, Konan 2-chome,
Minato-ku, Tokyo 108-6020, Japan

Distributed by

 **Hitachi Koki U.S.A., Ltd.**

3950 Steve Reynolds Blvd.
Norcross, GA 30093

 **Hitachi Koki Canada Co.**

6395 Kestrel Road
Mississauga ON L5T 1Z5

702
Code No. C99162161
Printed in China