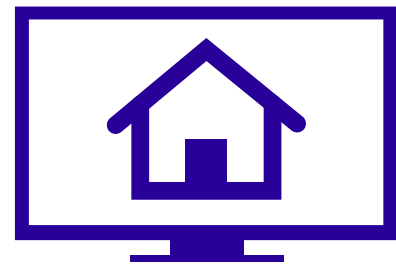


# Hi! Let's get started.

## HITACHI • Roku TV

### Your easy way to endless entertainment

Connect now to get the most out of your Hitachi Roku TV



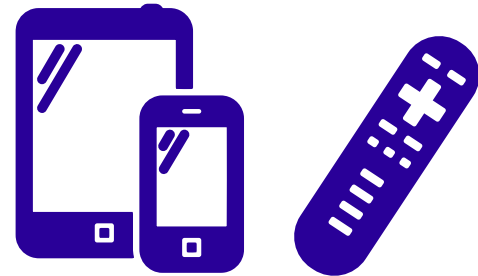
#### Personalized Home Screen

Put all of your favorite cable, satellite, or over-the-air TV; streaming channels\*, gaming console, and other devices front-and-center.



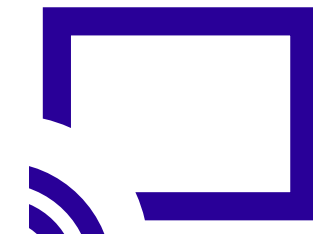
#### Find it fast

Search for movies, TV shows, actors, and directors across top streaming channels and quickly compare viewing and price options.



#### You're in Control

Control with included remote or free Roku Mobile app\*\*. Search, browse and add channels, or view the Roku Feed with your phone or tablet.

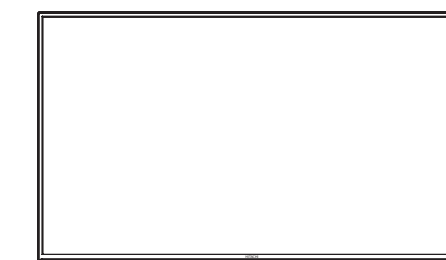


#### Send to the big screen

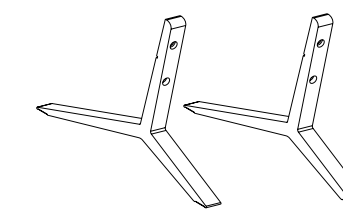
Send videos and more from your smartphone to your TV\*\*.

\*A paid subscription or other payments may be required for some channels. Channel availability subject to change and varies by country. Check with individual channel provider for Internet connection speeds required to stream or access 4K, 1080p and 720p HD content. \*\*Limitations apply for the Roku mobile app. Please see support.roku.com for device compatibility information.

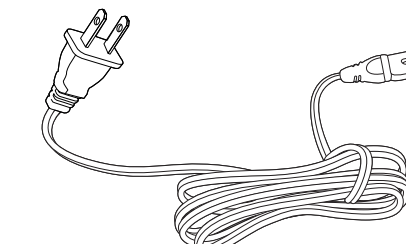
### What's in the box



Hitachi Roku TV



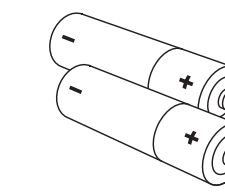
TV stand



Power cord



TV remote

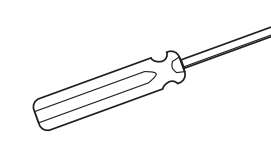


2 x AAA batteries for remote

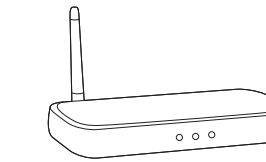


4 Screws

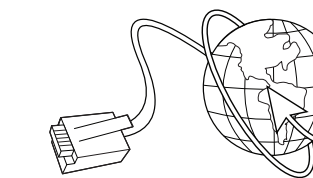
### What you need



Phillips head screwdriver



Wireless router (needed for streaming)



Internet connection (needed for streaming)

For optional support, please see Owner's Guide at: [www.hitachi.us/tv](http://www.hitachi.us/tv)

## Step 1 Set up your TV

Ready for the step-by-step? You're only minutes away from TV bliss!

#### Remove your TV from the box

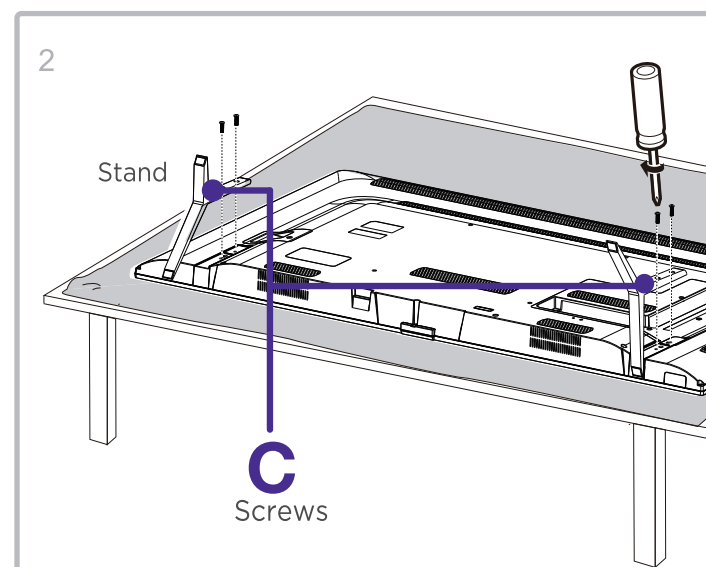
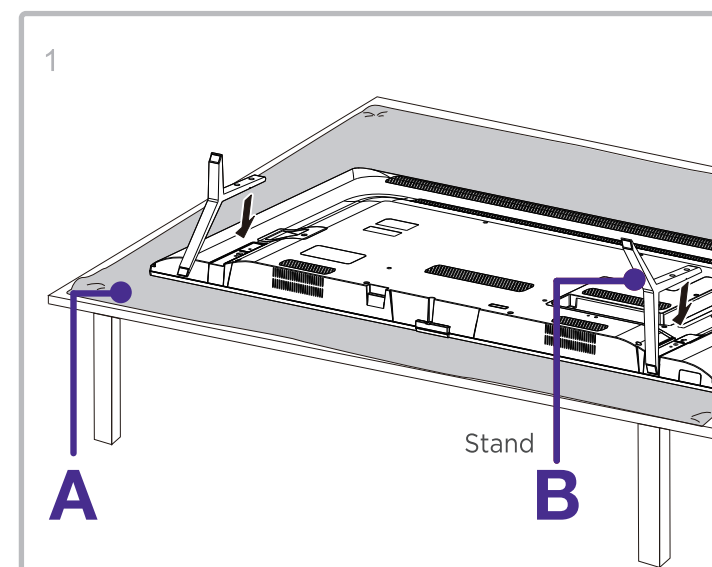
Be careful, it's heavy!

#### To mount on a wall

Follow the instructions that come with the wall mount.

#### To use the stand

- A** To prevent damage to the screen, carefully place your TV on a soft, cushioned surface.
- B** Put the column of the stands into the TV, align the stands with the screw holes located on the TV.
- C** Secure the stands to the TV with four (4) screws.



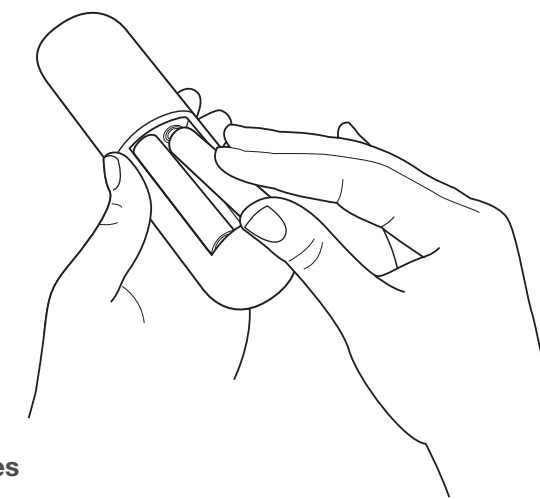
## Step 2 Power up

In this step, we'll make sure all systems are GO!

**Power your TV remote by inserting the included batteries carefully matching (+) and (-) indicated inside the battery compartment.**

**Connect your power cord to the TV, then plug it into the wall outlet.**

**Power Tip!** Always replace dead batteries with two brand-new batteries from the same manufacturer. Never use damaged batteries. If your remote gets warm/hot during use, discontinue use and contact customer support immediately at [www.hitachi.us/tv](http://www.hitachi.us/tv).

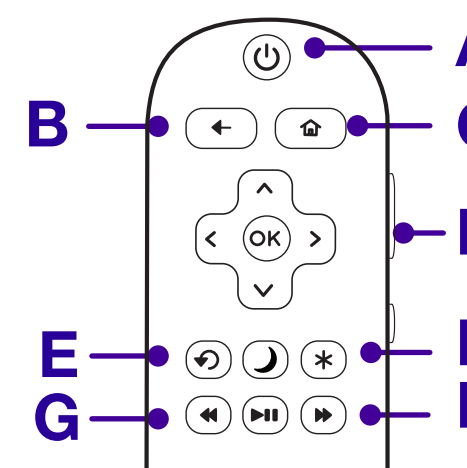


## Step 3 Grab your remote

The TV remote should feel right at home in your hand. It was designed to be incredibly intuitive for watching TV and navigating on-screen menus.

#### Here's some buttons you should know about.

- A** **POWER** Turn TV on and off
- B** **BACK** Return to previous screen
- C** **HOME** Return to Roku Home screen
- D** **VOLUME** Raise and lower volume
- E** **INSTANT REPLAY** Replay last 7 seconds of streaming video
- F** **OPTIONS** View more options
- G** **RWD SCAN** Rewind streaming video, scroll left one page at a time
- H** **FWD SCAN** Fast forward streaming video, scroll right one page at a time



**Tip!** The (\*) button gives you easy access to picture settings, display options, and more. Try it on every screen!

## Step 4 Complete guided setup

Establish your network connection

### It's the final stretch—hurray!

#### Let's Connect

Your TV will automatically detect wireless networks in your area. Have your network name and password handy and follow the easy on-screen instructions. For the highest performance connection, you can also connect using an Ethernet cable.

Once you're connected, your TV will automatically update with the latest software—plus you can start streaming the entertainment you know and love. Unlike other TVs, your new Roku TV automatically receives regular software updates in the background when it's connected to the internet. This allows it to give you a better and better experience.

If you aren't ready to connect your TV to a wireless network, you can still use it as a regular TV.

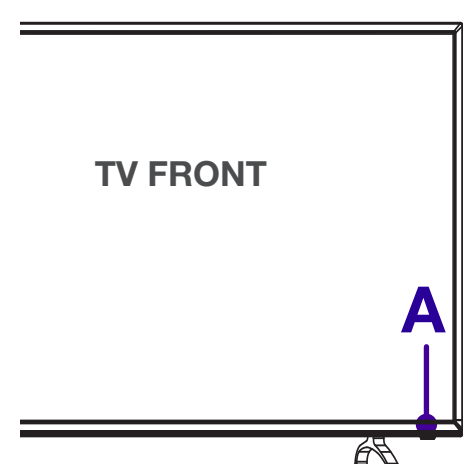
### And setup is done...congratulations!

Continue using the remote to personalize your Home screen and channel line-up, stream movies, and so much more. If you have an antenna connected, just click the tuner tile to watch broadcast TV channels. The fun has just begun!

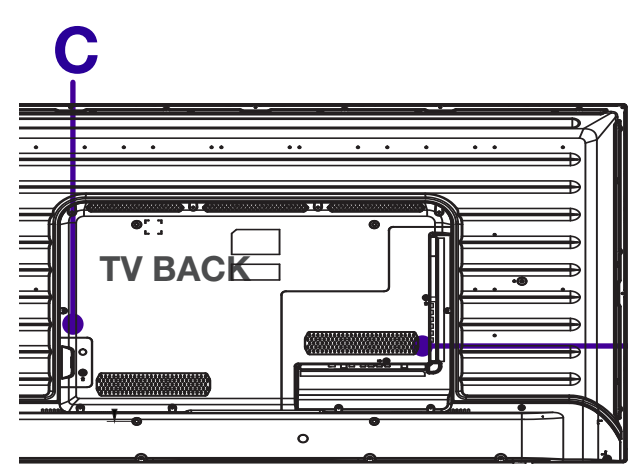


**Your Roku account:** During Guided Setup, you'll be prompted to create your Roku account online at [roku.com/link](http://roku.com/link). Your TV will generate a unique code that links your TV to your new account. Roku accounts are free, and while a valid credit card is recommended, it is not required. If you choose to register with a credit card, you will be able to easily rent movies, TV shows and download apps without having to enter in your credit card information each time. A unique PIN can be added to the account to prevent unauthorized purchases.

## Get to know your TV

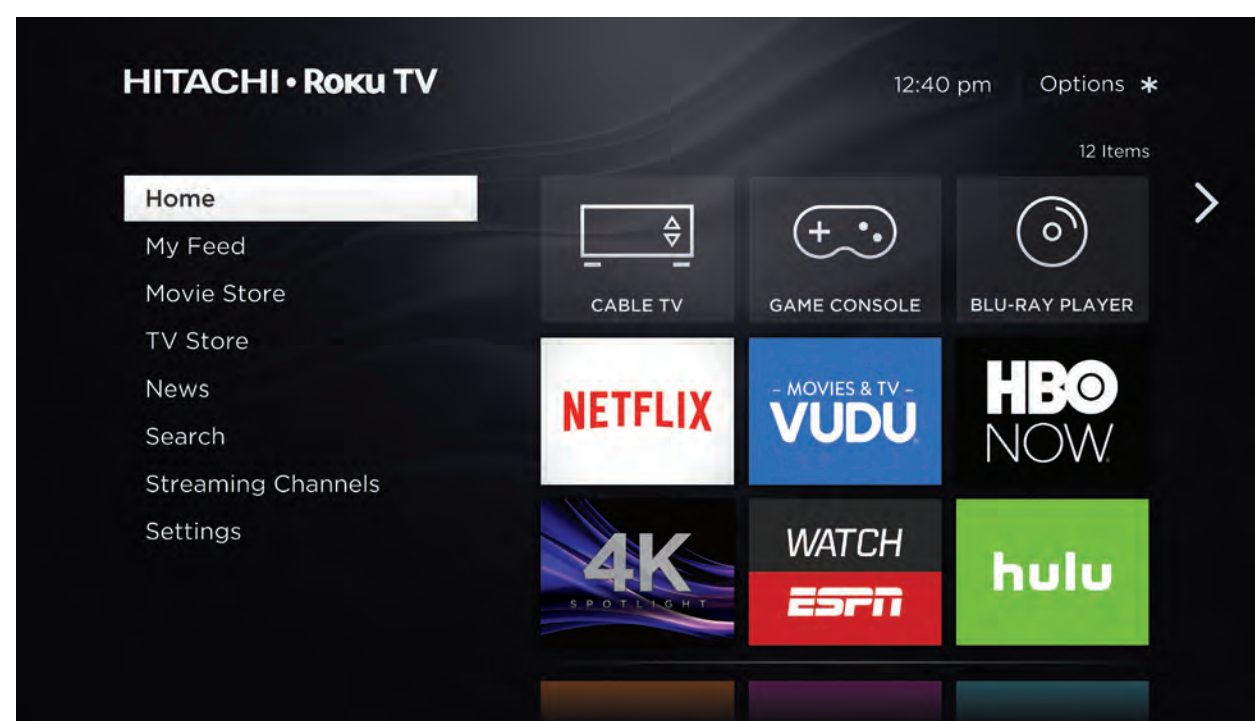


- A** **STATUS LIGHT** Glows when the TV is in standby, flashes when the TV is busy, flashes once with each button press of the remote control.
- IR RECEIVER** Receives signal from the TV remote.
- B** **COMPOSITE AV IN** If your device isn't able to connect using HDMI\*, connect to your TV using standard red/white/yellow cables.
- C** **POWER PORT** Connect your TV to the power source with the included power cable.



- D** **ETHERNET** Port for connecting to wired network.
- E** **HDMI ARC PORT** Connect HDMI ARC (audio return channel) capable audio devices like sound bars or AV receivers.
- F** **3 HDMI PORTS** Connect cable box, Blu-ray player, gaming console, or other devices to your TV using HDMI cables.
- G** **USB PORT** Connect a USB device for browsing photos, music and movies.
- H** **CABLE/AIR IN** Connect Cable TV feed or an outdoor VHF/UHF antenna.
- I** **DIGITAL AUDIO OUT** Connect an optical cable to an external digital audio system.
- J** **HEADPHONE OUT** Connect headphones or other external speakers.
- K** **AUDIO OUT** Connect sound box or other external speakers.
- L** **RESET BUTTON** Press and hold for factory reset. Careful, you will lose all your settings!

#### TV SIDE



## Connecting brings out your TV's full potential!

You'll have access to more than 3,000 streaming channels\*.

#### Make any night a movie night

Choose from over 300,000+ movies and TV episodes, across all major streaming movie channels like Netflix, Amazon Video, Google Play, VUDU, and more.\*

#### Explore your passions

In addition to popular streaming channels like HBO NOW, SHOWTIME, PBS Kids, and FOX NOW, your Roku TV also offers hundreds of streaming channels to fuel your passions – including fitness, cooking, religion, outdoors, international programming, and much more.

#### Get in the groove

Stream music from one of 120 music channels like Pandora, iHeart Radio and Spotify. Access your entire MP3 collection instantly with Amazon Cloud Player or the Roku Media Player.

#### 4K UHD Spotlight Channel

The Roku 4K\*\* UHD Spotlight channel features many movies and TV shows available in 4K UHD resolution from streaming services such as Netflix, Amazon Video, VUDU, and more.

\*A paid subscription or other payments may be required for some channels. Channel availability subject to change and varies by country. Check with individual channel provider for Internet connection speeds required to stream or access 4K, 1080p and 720p HD content. \*\*4K content will not be available on all channels and may require additional payment.

## Troubleshooting

Having trouble completing the guided setup? Don't worry, it's usually an easy fix.

#### Problems connecting my cable/satellite box or antenna through a coaxial cable

- For best performance, use the HDMI connection.
- If not available, then:
- Make sure the cable connections to the TV and your device are securely fastened.

#### My picture is too small (black bars on the side)

- Play your movie/video and press the (\*) asterisk button.
- Select **Picture Size**, select the picture size of your preference.

#### If the TV remote control isn't working

- Remove any obstruction and point the remote at the TV's IR receiver (see Get to know your TV).
- Try a fresh set of batteries.
- If the status light on the front of your TV flashes once each time you press a remote button, the problem is not with the remote. Unplug the TV and plug it back in.

#### Cannot connect to wireless network (Wi-Fi)

- Select the correct wireless network name and verify the password entered (case sensitive).
- Relocate the router from objects that interfere with performance (cordless phones, baby monitors, etc.).
- Reboot the router by disconnecting the power for more than 2 minutes and reconnect.

## Need more help?

[www.hitachi.us/tv](http://www.hitachi.us/tv)  
800.HITACHI (800.448.2244)

Copyright © 2016 Hitachi America, Ltd. and Roku, Inc. All material in this Quick Start Guide is provided by Hitachi America, Ltd. and Roku, Inc. and their respective subsidiaries, affiliates and licensors and is protected under U.S. and international copyright and other intellectual property laws. Reproduction or transmission of the materials, in whole or in part, in any manner, electronic, print, or otherwise, without the prior written consent of Hitachi America, Ltd. and Roku, Inc. is a violation of the rights of Hitachi America, Ltd. and Roku, Inc. under the aforementioned laws. Roku, Roku TV, and the Roku logo are the trademarks or registered trademarks of Roku, Inc. Hitachi is a trademark or registered trademark of Hitachi, Ltd. All other trademarks are the property of their respective owners.