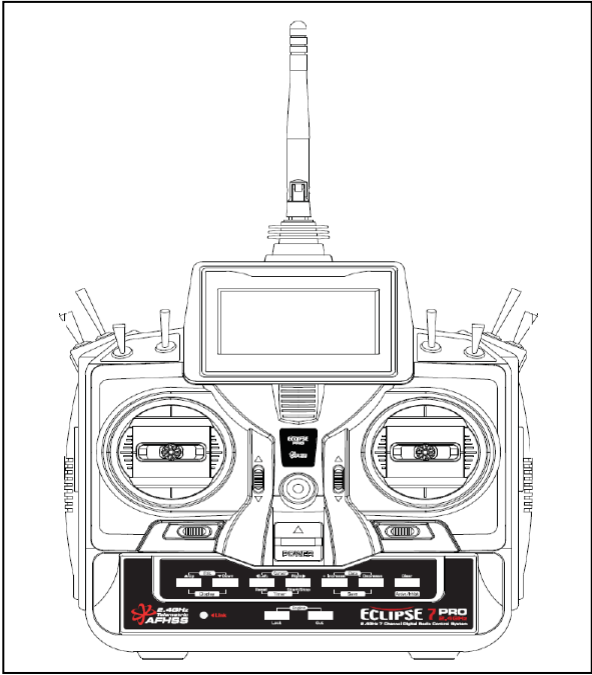


ECLIPSE 7 PRO 2.4G

2.4GHz Radio Control System

USER MANUAL



Hitec RCD KOREA INC.

Introducing the ECLIPSE 7 PRO 2.4G

Congratulations and welcome to the R/C world! You now own a basic, but unusually versatile and powerful, 5-Channel beginner's RC transmitter.

The ECLIPSE 7 PRO 2.4G is all the radio you need to fly the most of 5-Channel fixed-wings aircraft models. Standard features include servo-reversing for all channels, trim adjustments on all control channels, ATV (Adjustable Travel Volume) on Aileron (CH.1) and Elevator (CH.2).

The ECLIPSE 7 PRO 2.4G features:

Pre-mixed Flight Control Functions:

The ECLIPSE 7 PRO 2.4G computer automatically mixes rudder and elevator outputs to control a V-tail or mixes aileron and elevator outputs to create elevons for tail-less flying wings, eliminating the need for on-board mixing systems.

Trim Adjustment Function:

This computerized radio allows you to easily tune and coordinate the control surfaces (such as keeping a rudder centered or two ailerons-each on their own servo-moving the same amount) without having to physically re-adjust linkages.

Buddy-Box Function:

For those learning to fly, the transmitter has a "buddy-box" capability so that you can use the optional trainer cord to connect your ECLIPSE 7 PRO 2.4G to another Hitec transmitter (Master)*. This function allows one transmitter to be used by an instructor as the primary flight control while the other is controlled by the student pilot.

***Note: ECLIPSE 7 PRO 2.4G only can be used as a Pupil (Slave) transmitter.**

If you are new to Computerized RC Transmitters

If ECLIPSE 7 PRO 2.4G is your first radio control transmitter, you're probably feeling a bit overwhelmed. However, if you take little time to read this manual and follow the programming steps as you watch your model's control surfaces respond, handling the ECLIPSE 7 PRO 2.4G will soon become quite comfortable. So stick with it. Learning the programming basics won't take any longer or require any more brain power than it takes to do the average crossword or Sudoku puzzle.

You'll discover that the rewards for mastering this simple radio are well worth the effort.

TIP:

Throughout the manual you will see our "Tip Sheet" notes.

These highlight specific function details we didn't want you to miss within the body of the manual.

Check these out; they can make programming the Optic Sport easier.

Hitec AFHSS 2.4GHz Technology

Most of Hitec's 2.4GHz product uses AFHSS (Advanced Frequency Hopping Spread Spectrum) technology which gives you highly stable one-way and telemetric signals for ensure safe flight of your model aircrafts.

Equipment Mounting

When you mount each servo, use the supplied rubber grommets and insert an eyelet up through the bottom. Be sure not to over tighten the screws.

If any portion of the servo case directly contacts the fuselage or the servo rails, the rubber grommets will not be able to attenuate vibration, which can lead to mechanical wear and possible servo failure.

Servo Throw

Once you have installed the servos, operate each one over its full travel and check that the pushrod and output arms do not bind or collide with each other, even at extreme trim settings.

Check to see that each control linkage does not require undue force to move (if you hear a servo buzzing when there is no transmitter control motion, most likely there is too much friction in the control or pushrod).

Even though the servo will tolerate loads like this, they will drain the battery pack much more rapidly

Receiver Installation and Setup Note: Vibration and Water

The receiver contains precision electronic parts. Be sure to avoid vibration, shock, and temperature extremes.

For protection, wrap the receiver in the provided "Flight Preserver" foam rubber, or use some other vibration-absorbing materials.

If you are flying near bodies of water, it's also a good idea to protect the receiver by placing it in a plastic bag and securing the open end of the bag with a rubber band before wrapping it with foam. If you accidentally get moisture inside the receiver, you may experience intermittent operation or a crash.

Switch Harness Installation

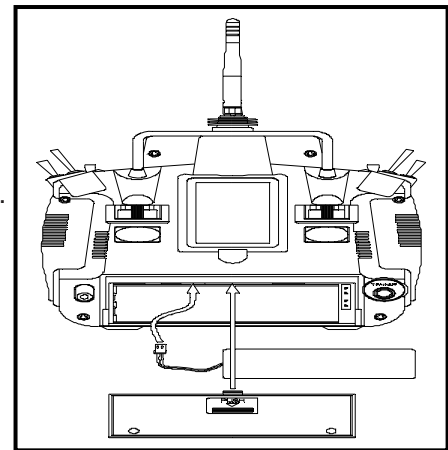
When you are ready to install the receiver's switch harness, remove the switch cover and use it as a template to cut screw holes and a rectangular hole slightly larger than the full stroke of the switch.

Choose a switch location on the opposite side of the fuselage from the engine exhaust, and choose a location where it can't be inadvertently turned on or off during handling or storage. Install the switch so that it moves without restriction and "snaps" from ON to OFF and vice versa.

Charging the Eclipse 7 Pro Ni-MH Batteries

Connect the transmitter charging cord into the charging socket (on the rear of the case, left side) and airborne Ni-MH batteries to the receiver connector on the charger. Connect the receiver battery to the charging cord. Plug the charger into a wall socket. The charger's LEDs should light, indicating charging current is flowing. The batteries should be left on charge for about 15 hours. Try to charge the batteries with the charger supplied with your system exclusively. The use of a fast-charger may damage the batteries by overheating and dramatically reduce their lifetime.

NOTE: If you need to remove or replace the transmitter battery, do not pull on its wires to remove it. Instead, gently pull on the connector's plastic housing where it plugs in to the transmitter. The battery must be removed to charge it properly with a "peak" charger.



Operating With A Trainer Cord

An optional training cord is available from your dealer. The cord may be used to help a beginning pilot learn to fly easily by allowing a second transmitter, operated by an experienced instructor, to be connected to this system.

The instructor may override the beginning pilot at any time to bring the model back under safe control.

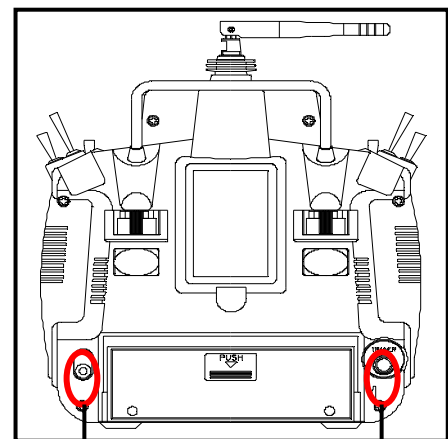
For training To use the trainer cord:

Set up both the student's and instructor's transmitters to have identical trim and control motions. If the instructor's transmitter is on a different frequency than the student's, use the student's transmitter as the master (held by the instructor) and the other transmitter should be held by the student.

Collapse the student's antenna, and fully extend the instructor's antenna. If the student's transmitter has a removable RF module, remove it from the transmitter.

The Hitec cord is specifically marked at one end as the "master" the other end as "student". Plug it accordingly into each transmitter, with power switched off. The trainer jack is on the back of the transmitter. Turn the connector until its notches line up and it fits without having to be forced. Turn on the instructor's transmitter.

DO NOT turn on the student transmitter power. Move the controls on the instructor's transmitter, and verify each control moves the proper direction. Now verify that the student's trims and control travels match the instructor's by using the trainer switch (the momentary Trainer switch on the top left of the transmitter case) and switching back and forth while leaving the control sticks and trims alone,



Charge Jack

Trainer Jack

then moving the control sticks. The instructor's transmitter has normal control over the model unless the trainer switch is pulled, passing control to the student's transmitter. If the student loses control, the instructor can quickly "take over" by releasing the trainer switch and controlling the model.

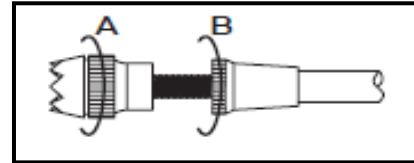
Other Adjustments

Adjustable length control sticks

You may change the length of the control sticks to make your transmitter more comfortable to hold and operate.

To lengthen or shorten your transmitter sticks, first unlock the stick tip by holding locking piece B and turning stick tip A counterclockwise. Next, move the locking piece B up or down (to lengthen or shorten).

When the length feels comfortable, lock the position by turning locking piece B counterclockwise.



Stick lever tension adjustment

You may adjust the stick tension of your sticks to provide the "feel" that you like for flying. To adjust your springs, you'll have to remove the rear case of the transmitter. Using a screwdriver, remove the six screws that hold the transmitter rear cover into position, and put them in a safe place. Place some padding under the front of the transmitter and place it face-down on the pad. Gently ease off the transmitter rear cover and move it to the right side of the transmitter, carefully turning it as you would turn the page of a book. Now you'll see the view shown. Using a small cross-point screwdriver, rotate the adjusting screw for each stick for the desired spring tension. The tension increases when the adjusting screw is turned clockwise, and decreases for counterclockwise motion. When you are satisfied with the spring tensions, you may close the transmitter. Very carefully reinstall the rear cover. When the cover is properly in place, tighten the six screws.

Ratchet change

Some pilots, especially those flying helicopters, prefer a "softer" or "smoother" ratchet action on the throttle stick. An alternate ratchet that provides a smoother ratcheting action is included as an accessory with your *Eclipse 7* system. To change the throttle ratchet, remove the back of the transmitter case as directed above in the "stick lever tension adjustment" section. Then, unscrew the ratchet retaining screw, remove the old ratchet, and replace with the new one. Tighten the retaining screw gently but firmly. Then, replace the transmitter rear cover.

Changing the Eclipse 7 transmitter's mode

If you wish to change the mode of the transmitter, say from Mode 2 to Mode 1, return the radio to Hitec for conversion. If you don't know what this means, you don't need to worry about it!

Factory Service Repair Information (for U.S. & Canada only)

Please read the warranty card supplied with your system, and return it so your system will be under warranty. Before you decide to have your system repaired, if there is no apparent physical damage, read this instruction manual again and check to be sure that you are operating the system as it is supposed to be operated. If you are still having trouble, pack up your system in its original shipping materials and send it to the factory or the nearest authorized Hitec R/C Service Center. Be sure to include a note in your package that describes the trouble in as much detail as possible, including: Symptoms of the problem in as much detail as you can provide, including any unusual mounting conditions or equipment orientation A list of items you are sending, and what you want to be repaired. Your name, address, and telephone number If you have any questions regarding this product, please consult with Hitec's service center. The address and telephone numbers of our service center is given below. Telephone inquiries are accepted from 8:00 AM to 4:30 PM weekdays (closed on holidays).

Hitec-RCD, Inc.

12115 Paine St.

Poway, CA 92064

TEL: 1-858-748-6948

FAX: 1-858-748-1767

Web site: <http://www.hitecrd.com>

Eclipse 7 Pro "Mode2" Control and Switch Assignments

ECLIPSE 7 PRO MODE 2 TYPE SWITCH CONFIGURATION LIST FRONT

Flight Mode Switch

- ACRO**
 - Elevator to Flap Mix
 - Condition Mix 1 Trim, D/R, EXP
 - Normal Trim, D/R, EXP
 - Condition Mix 2 Trim, D/R, EXP
 - Landing Mix
- Glider**
 - Condition Mix 1
 - 4-Wing Speed Flap Trim Offset 1
 - Elevator to Flap Mix
 - Normal Trim, D/R, EXP
 - Condition Mix 2
 - 4-Wing Speed Flap Trim Offset 2
- HELI**
 - Rudder to Throttle Mix
 - Normal Trim, D/R, EXP, Gyro Gain
 - Idle Up 1 Trim, D/R, EXP, Throttle Curve
 - Idle Up 2 Trim, D/R, EXP, Pitch Curve

Flight Condition Switch

- ACRO**
 - P-MIX 5 ON/OFF
 - Condition 3 Trim, D/R, EXP (Ail, Elev, Rudd)
- Glider**
 - P-MIX 5 ON/OFF
 - Condition 3 Trim, D/R, EXP (Ail, Elev, Rudd)
 - 4-wing Aileron to Flap Coupling Mix
- HELI**
 - Throttle Hold
 - Condition 3 Trim, D/R, EXP (Ail, Elev, Rudd)
 - Gyro Gain
 - Hold Pitch Curve

Elev. D/R

- ACRO** - Elevator D/R
- Glider**
 - Elevator D/R
 - Motor ON/OFF CH3
- HELI** - Elevator D/R

Gear

- ACRO**
 - Landing Gear ON/OFF
 - P-Mix 3 ON/OFF
- Glider**
 - P-Mix 3 ON/OFF
 - Crow Mix ON/OFF
- HELI** - P-Mix 1 ON/OFF

ACRO/HELI - Throttle Trim

Glider - Flap Trim

Rudder Trim

Ail. D/R

ACRO/Glider/HELI - Aileron D/R

CH7 Switch

- ACRO**
 - P-MIX 1 ON/OFF
 - P-MIX 2 ON/OFF
- Glider**
 - P-MIX 1 ON/OFF
 - P-MIX 2 ON/OFF
 - Flap to Aileron Mix
 - Flap to Elevator Mix
- HELI** - CH 7 Control (Heading Lock ON/OFF)

Elevator Trim

Select to

- Voltage
- Trim Data
- Model Name

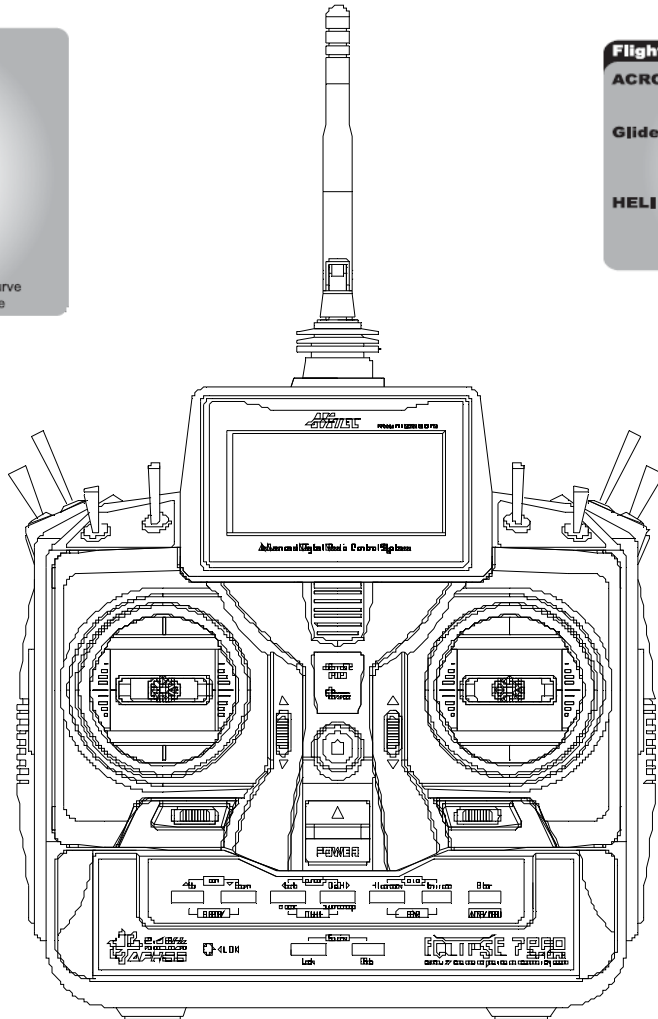
ACRO/HELI Engine Low Position Hold

Glider X

ACRO/HELI Engine Cut Off

Glider X

Integral Timer Data Reset



This figure shows the assignments for a Mode 2 system as supplied by the factory in North America. Note that some of the functions will not operate until activated in the mixing menus.

ECLIPSE 7 PRO MODE 2 TYPE
SWITCH CONFIGURATION LIST REAR

VR 1

ACRO – Flap Trim Control

Glider – Flap Control
Flap to Aileron Mix Control
Flap to Elevator Mix Control

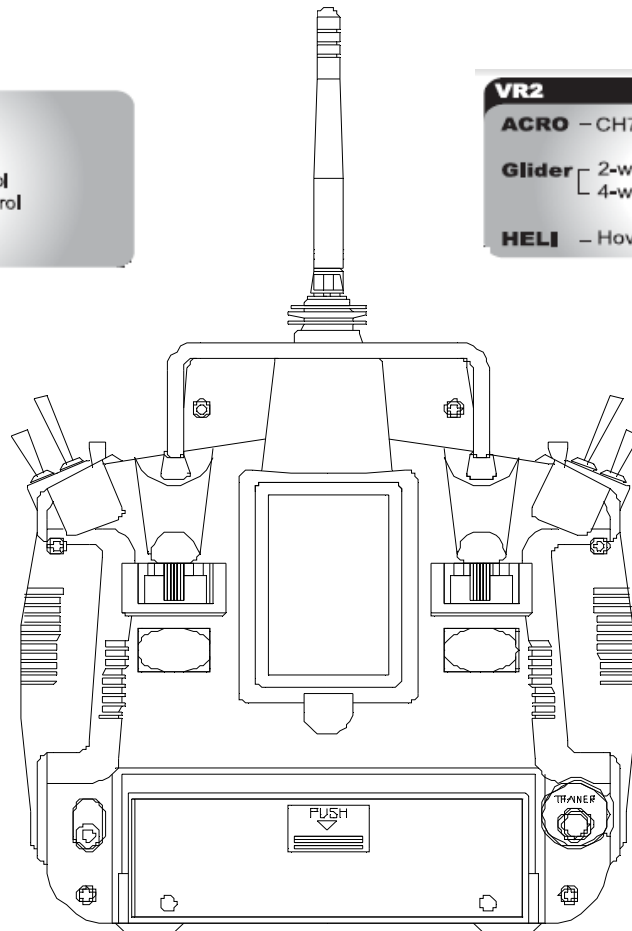
HELI – Hovering Throttle Control

VR2

ACRO – CH7 Control

Glider – 2-wing CH7 Control
4-wing 2nd-Flap Aileron Trim

HELI – Hovering Pitch



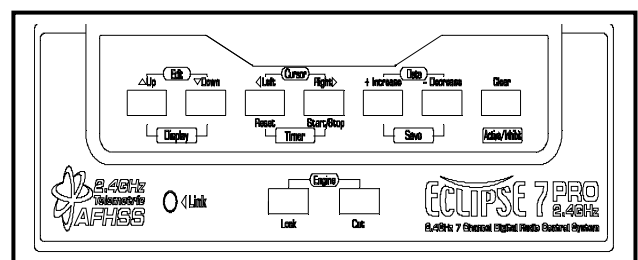
Transmitter Input Buttons

The buttons are used for different things as follows:

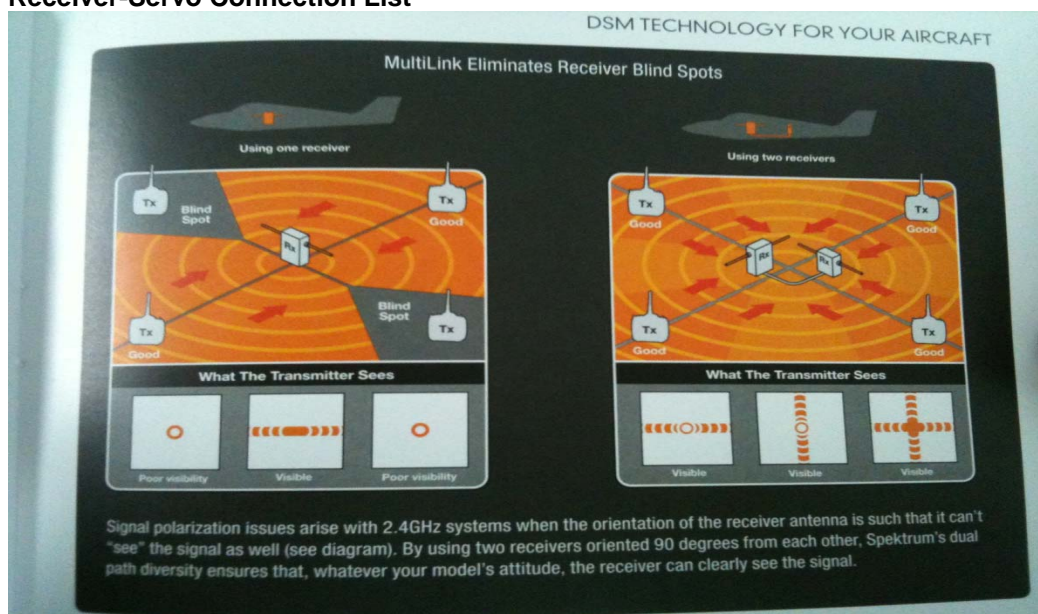
1. The Edit/Display Up & Down buttons (1) allow you to move up and down within the model menus, and move within the regular display. select options within a particular function, and control the timer function.
2. The Data +Increase & -Decrease buttons (3) allow you to increase or decrease the numerical settings for a function.
3. The Clear Active/Inhibit button (4) resets numbers, and turns functions on and off.
4. The Engine Lock button (5) holds the throttle channel while other channels may respond to the transmitter.
5. The Engine Cut button (6) closes the throttle so that you can kill the engine without touching the trim lever.

You'll learn how to use these buttons in the setup sections that follow

6. the link button Can be used for link process between ECLIPSE 7 PRO to a Optima series receivers, entering the power down mode for range checks, and the Normal/Scan Mode set-up.



Receiver-Servo Connection List



You may run the antenna inside of a non-metallic housing within the fuselage (a plastic outer pushrod housing works well for this), but range may suffer if the antenna is located near metal pushrods or cables. Be sure to perform a range check before flying. With the 2.4GHz radio system, the range check method is different from the conventional frequency radio system.

During the range check period, you should be able to walk away at least 75 feet from the model without losing control or seeing "jitter" in the servos. The range check should be done with the motor running and the model should be securely restrained in case of loss of control.

Warnings

*Never pinch or bend the antenna, such behavior will cause serious damage on the antenna.
Changing the length of the antenna reduces range.*

Never cut the antenna, such behavior will seriously reduce the reception range.

Connectors

Be sure the alignment of a servo or battery connector is correct before inserting it into the receiver. To remove a connector from the receiver, try to pull on the connector's plastic housing rather than pulling on the wires. Pulling the wires can ruin the connector pins and break wires.

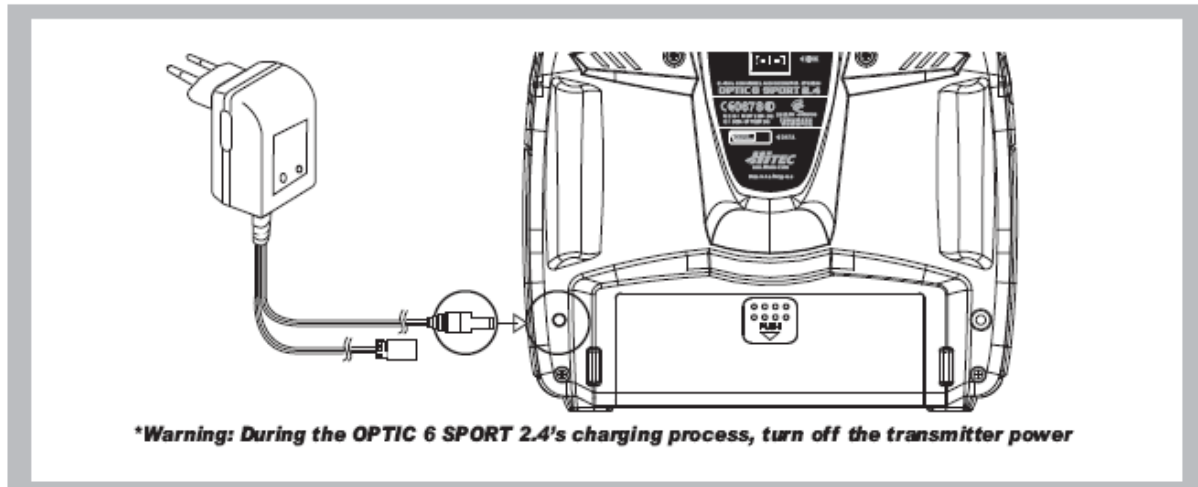
Using Servo Wire Extensions

If any of your servos are located too far away to plug directly into the receiver (like the aileron servo), or you need to unplug the servo each time you disassemble the model, use a servo extension cord to extend the length of the servo lead.

Additional Hitec extension cords of varying lengths are available from your hobby dealer.

Charge the Batteries

Before we dive into the use of the Optic 5 2.4, let's charge the batteries.



Connect the transmitter charging cord to the transmitter's charging socket (on the rear of the case, left side).

If your aircraft uses a receiver battery, connect it to the receiver connector on the charging cord. Plug the charger into a wall socket.

The charger's LEDs should light, indicating charging is in progress.

If either light does not turn on, verify that the transmitter and receiver power switches are OFF.

The batteries should be left on charge for about 15 hours.

Try to charge the batteries with the charger supplied with your system exclusively.

The use of a fast-charger may damage the batteries by overheating and dramatically reduce their lifetime.

Note

If you need to remove or replace the transmitter battery, do not pull on its wires to remove it.

Instead, gently pull on the connector's plastic housing where it plugs in to the transmitter.

The battery must be removed to charge it properly with a "peak" charger.

Be careful if you do choose to use a field charger on your batteries.

A fast-charger may overcharge the batteries, causing overheating and a premature failure. Never charge your transmitter or receiver battery at a rate higher than the batteries capacity.

For example, the capacity of your Optic 6 Sport's 7.2 volt NIMH battery is 1300mAh and, therefore, should not be charged at a rate any higher than 1.3 amps.

Caution: Stop flying and bring back your aircraft and land at once, when your transmitter start beeps for low battery warning. (L.B.W. activates when battery level hits below 6.6V)

A training cable may be used to help a beginning pilot learn to fly safer by allowing a second transmitter, operated by an experienced instructor, to be connected to the Optic 6 Sport 2.4 transmitter. The instructor may override the beginner at any time to bring the model back under safe control. For training, the transmitter may be connected to another Hitec 2.4GHz system using the Hitec cord **part No. #58320 TRAINER CABLE** (between 6 cell transmitter battery systems) or **#58321 TRAINER CABLE FULL PACKAGE** (#58320 + Slave DIN + Master DIN) - For use between a 6 cell transmitter battery system and 8 cell transmitter battery system.

Operating with a Trainer Cord

Note1

To use the trainer system between STEREO Jack Transmitter and STEREO Jack Transmitter (Needs #58320 between 6 cell Battery Radios)

1) Set up both the student's and instructor's transmitter to have identical trim and control motions.

If the instructor's transmitter is on a different frequency than the student's, use the student's transmitter as the master transmitter, and the other transmitter as the student's.

- 2) Turn on the instructor's transmitter and DO NOT turn on the student's transmitter power. Plug Trainer Cord (#58320 Stereo Jack) accordingly into each transmitter. The trainer jack is on the back of the transmitter. Then you can see "MAS MODE" on the LCD screen of Instructor's transmitter and "SLV MODE" on the Student's transmitter screen.
- 3) Move the controls on the instructor's transmitter, and verify each control moves the proper direction. Now verify that the student's trims and control travels match the instructor's by using the trainer button (the momentary ENG CUT/TRAINER button on the top right of the transmitter case) and switching on and off while leaving the control sticks and trims alone, then moving the control sticks.
- 4) The instructor's transmitter has normal control over the model unless the trainer button is pressed, passing control to the student's transmitter. If the student loses control, the instructor can quickly "take over" by releasing the trainer button and then controlling the model.

To use the trainer system between a STEREO Jack Transmitter and a DIN Jack Transmitter. (Needs trainer cable package #58321 between 6 cell Battery Radio and 8 cell Battery Radio system) please read the following instruction carefully for using transmitters with DIN Jack and/or stereo jack for the trainer system. You will need the Trainer cable full package (#58321). This full package consists of a STEREO Jack trainer cable(#58320), Instructor DIN Jack and Student DIN Jack Adapter. This package allows the proper connection between a 6 cell battery system radio (ex. Optic 6 Sport 2.4, Aurora 9) and 8 cell battery system radios (ex. Optic 6 2.4 / Eclipse 7 2.4).

Note 2

This section tells you how to connect the transmitters only.

Please read the prior sections for the full information needed to properly operate the trainer cable system.

Between the Transmitter having a STEREO jack as INSTRUCTOR and Transmitter having DIN jack as STUDENT.

- 1) Power on the INSTRUCTORS Transmitter having the STEREO Jack.
- 2) Plug the STEREO Jack trainer cable (#58320) into the Master, or INSTRUCTORS transmitter.

Note3

You will see "MAS MODE" on LCD screen which means the transmitter is recognized as the INSTRUCTOR or "Master".

Connect the DIN Jack adapter marked "STUDENT" from the cable package #58320 to the other end of the stereo connector cable.

This combination enables you to connect the cable to the STUDENT transmitter with a DIN Jack connector.

Plug the DIN connector into the socket on the STUDENT transmitter.

Finally, power on the STUDENT transmitter. Though it is powered on, the STUDENT transmitter will not transmit the radio signal as long as the trainer cable is connected properly.

Note4

There is no sign of recognition on the LCD screen of the Transmitter using the DIN jack.

Between the Transmitter having a DIN jack as INSTRUCTOR and a Transmitter having a STEREO jack as STUDENT.

- 1) Connect the INSTRUCTOR or DIN Jack adapter marker "Master" with #58320 stereo jack Trainer cable.
- 2) Power on the INSTRUCTOR transmitter.
- 3) Plug the combined trainer cable into the INSTRUCTOR transmitter DIN jack connection.
- 4) The STUDENT transmitter should be turned off.
- 5) Plug the trainer cable into the STUDENT transmitter with the stereo jack. The power to the STUDENT transmitter will turn on automatically and you will see "SLV MODE" on the LCD screen which means the transmitter is recognized as STUDENT or "Slave".
- 6) Though the STUDENT transmitter is powered on automatically, it will not transmit a radio signal as long as the trainer cable is connected properly.

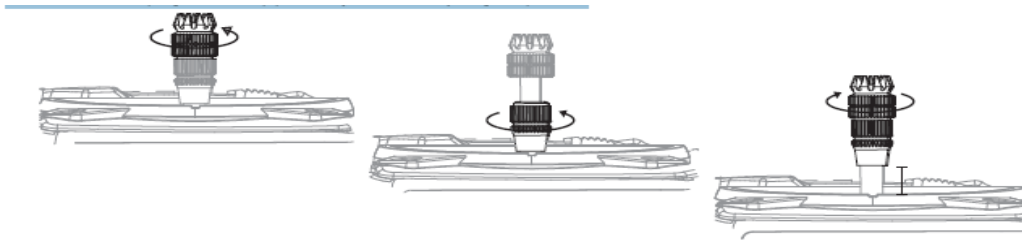
Note5

- 1) Do NOT turn on the power of the STUDENT transmitter having the STEREO Jack.
Once you plug the trainer cable into the STUDENT Transmitter using the STEREO Jack, it will be powered on automatically.
- 2) All Transmitters in the trainer system use their own batteries. Both batteries in both the Instructor and Student Transmitters should be properly charged and installed when flying in the trainer mode.
- 3) You may wish to use a simple "contractors cord" knot on the cable to adaptor connection to keep it from coming "unplugged" when using it. Heat shrink tubing or electrical tape can also be used.

Stick Length Adjustment

Hands come in all sizes so to accommodate everyone we use a two piece stick "top" that can be adjusted to fit a wide variety of users.

Separate the top from the bottom piece and adjust the top piece to the length required. Screw the bottom up against the top piece to "jam" lock everything into position.



Stick Lever Tension Adjustment / Mode Change

Stick Lever Tension Adjustment

You may adjust the stick tension of your sticks to provide the "feel" that you like for flying. To adjust your springs, you'll have to remove the case of the transmitter. Using a screwdriver, remove the six screws that hold the transmitter's rear cover into position, and put them in a safe place. Now, place some padding under the front of the transmitter and set it face-down on the pad.

Gently ease off the transmitter's rear cover. Now you'll see the view shown. Use a small cross-point screwdriver, rotate the adjusting screw for each stick for the desired spring tension.

The tension increases when the adjusting screw is turned clockwise, and decreases for counterclockwise motion.

Note: Please use M2 (2mm) or 5/64inch Hex key for tension adjustment and mode changes.

When you are satisfied with the spring tensions, you may close the transmitter. Very carefully reinstall the rear cover. When the cover is properly in place, tighten the six screws.

Change to 'Mode 1' Configuration

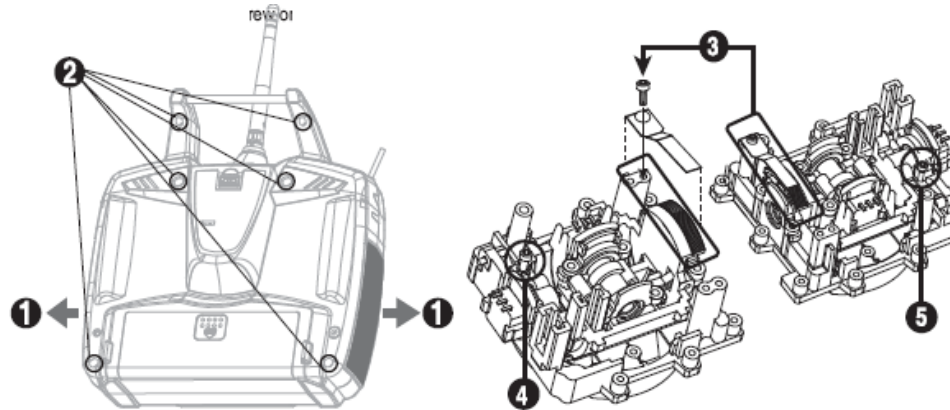
All Optic 6 Sport 2.4 systems sold in US are in 'Mode 2' format. However, you may wish to use Optic 6 Sport in 'mode 1' format. There is a menu choice for this option in the Initial Set-Up function menu described on Page 15.

After selecting 'Mode 1' in the Initial Set-Up Menu, you must do the following hardware set-up in order to change the transmitter

1. Carefully remove the plastic side panels from the transmitter.
2. Remove all the six philips screws from the back of the case.
3. Unscrew a hex screw to remove the Copper Ratchet from where it is located and move it to the other side.
4. Allocate the "Mode Selection Jumper" to be connected with the other two.



5. Tighten up the tension spring hex screw on the new location, and try control the stick and feel it first if you like the tension of control stick.
6. Loosen up the tension spring hex screw on the original location.
7. Re-assemble the case.



Flying Safety

To ensure your own safety and the safety of others, please observe the following precautions:

Flying field

We recommend that you fly at a recognized model airplane flying field.

You can find model clubs and fields by asking the nearest hobby dealer, or contacting the Academy of Model Aeronautics.

Always pay particular attention to the flying field's rules, as well as the presence and location of spectators, the wind direction, and any obstacles on the field.

Be very careful flying in areas near power lines, tall buildings, or communication facilities as there may be radio interference in their vicinity.

Once you arrive at the flying field...

Before you fly, perform a range check to confirm your radio system is responding correctly.

To do a range check, Power-up the aircraft and either ask a friend to help hold the aircraft or secure it somehow.

Walk away from the aircraft until the aircraft "glitches" or you notice intermittent control loss.

Walk back to the aircraft, pacing out the distance.

Note: We want a good range check to be at least 75 feet or so.

When you are ready to fly your model, position the throttle stick or switch to its low speed or off position.

Then, you may turn on the transmitter power followed by the receiver power.

When you have finished flying, turn off the receiver power first then turn off the transmitter power.

If you do not follow these procedures, the receiver has no information to hold the servos steady and you may damage your servos or control surfaces or flood your motor.

In case of electric-powered models the motor may unexpectedly turn on and cause a severe injury if the transmitter is switched off before the receiver.

Before starting the engine, power up the transmitter and receiver, and check to be sure that the servos follow the movement of the sticks.

If a servo operates abnormally, don't attempt to fly until you determine the cause of the problem.

Before starting the engine, be sure to check that the transmitter model memory is correct for the chosen model.

While you're getting ready to fly, if you place your transmitter on the ground, be sure that the wind won't tip it over.

If it is knocked over, the throttle stick may accidentally get moved causing the engine to race unexpectedly, causing damage or injury to anyone nearby.

Finally, don't fly in the rain! Water or moisture may enter the transmitter through the antenna or stick

openings and cause erratic operation or loss of control.

If you must fly in wet weather during a contest, be sure to protect your transmitter with a plastic bag or waterproof barrier.

CE1177 0

FCC notice to users and product statements

THIS DEVICE COMPLIES WITH PART 15 OF THE FCC RULES. Operation is subject to the following two conditions; (1) this device may not cause harmful interference, and (2) this device must accept any interference received, including interference that may cause undesired operation. CAUTION: Changes or modifications not expressly approved by the party responsible for compliance could void the user's authority to operate the equipment.

European CE notice to users and product statements

This product is CE marked according to the provisions of the R & TTE Directive (99/5/EC). Hereby, HITECRCD INC. declares that this product is in compliance with the essential requirements and other relevant provisions of Directive 1999/5/EC. For further information, please contact <http://www.hitecrd.com> or <http://www.hitecrd.co.kr>

Hitec Service

12115 Paine St. Poway CA 92064

1-858-748-6948

E-mail: service@hitecrd.com

Product Approved to HITEC RCD, INC.

Manufacturer/Country: HITEC RCD, INC./The Philippines

Production Date:



FCC Information to User

This equipment has been tested and found to comply with the limits for a Class B digital device, pursuant to Part 15 of the FCC Rules. These limits are designed to provide reasonable protection against harmful interference in a residential installation. This equipment generates, uses and can radiate radio frequency energy and, if not installed and used in accordance with the instructions, may cause harmful interference to radio communications. However, there is no guarantee that interference will not occur in a particular installation. If this equipment does cause harmful interference to radio or television reception, which can be determined by turning the equipment off and on, the user is encouraged to try to correct the interference by one of the following measures:

- Reorient or relocate the receiving antenna.
- Increase the separation between the equipment and receiver.
- Connect the equipment into an outlet on a circuit different from that to which the receiver is connected.
- Consult the dealer or an experienced radio/TV technician for help.

Caution

Modifications not expressly approved by the party responsible for compliance could void the user's authority to operate the equipment.

FCC Compliance Information : This device complies with Part 15 of the FCC Rules. Operation is subject to the following two conditions: (1) This device may not cause harmful interference, and (2) this device must accept any interference received, including interference that may cause undesired operation

IMPORTANT NOTE:

FCC RF Radiation Exposure Statement:

This equipment complies with FCC RF radiation exposure limits set forth for an uncontrolled environment. This equipment should be installed and operated with a minimum distance of 20 centimeters between the radiator and your body. This transmitter must not be co-located or operating in conjunction with any other antenna or transmitter.

IMPORTANT Safety Instruction:

CAUTION

To reduce the risk of electric shock, do not remove the top cover (or the rear section).
No user serviceable parts inside, refer servicing to qualified personnel.



This symbol, wherever it appears, alerts you to the presence of uninsulated dangerous voltage inside the enclosure-voltage that may be sufficient to constitute a risk of shock.



This symbol, wherever it appears, alerts you to the important operating and maintenance instructions in the accompanying literature. Please read the manual.

- 1) Read these instructions.
- 2) Keep these instructions.
- 3) Heed all warnings.
- 4) Follow all instructions.
- 5) Do not use this equipment near water.
- 6) Do not use near any heat sources such as radiators, heat resistors, stove, or other equipment that produce heat.

CAUTION
RISK OF EXPLOSION IF BATTERY IS REPLACED
BY AN INCORRECT TYPE.
DISPOSE OF USED BATTERIES ACCORDING
TO THE INSTRUCTIONS

CONTACT INFORMATION

Manufacturer Address : 653, YangCheong-Ri, Ochang-Eup, CheongWon-Gun, Chung Buk Province, Korea

To locate in-country Hitec RCD KOREA, INC. distributors of the ECLIPSE 7 PRO 2.4G

please refer to the Hitec RCD KOREA, INC. Website <http://www.hitecrkd.co.kr/>

These distributor(s) represent local contacts for this product.

CORPORATE HEADQUARTERS:

Hitec RCD KOREA, INC.

653, YangCheong-Ri, Ochang-Eup, CheongWon-Gun, Chung Buk Province, Korea

Tel: 82-43-717-2071

Fax: 82-43-717-2193

Web: <http://www.hitecrkd.co.kr/>

EUROPEAN UNION “DECLARATION OF CONFORMITY”

DECLARATION OF CONFORMITY

Hitec RCD KOREA, INC.

653, YangCheong-Ri, Ochang-Eup, CheongWon-Gun,
Chung Buk Province, Korea

declare under our sole responsibility that the product(s)

2.4GHz Radio Control System – ECLIPSE 7 PRO 2.4G

to which this declaration relate(s) is in conformance with the following standards:

EN 301 489-1 V1.8.1:2008
EN 301 489-17 V2.1.1 :2009
EN60950-1:2006
EN 300 328 V1.7.1:2006

following the provisions of the 1999/5/EC Directives.