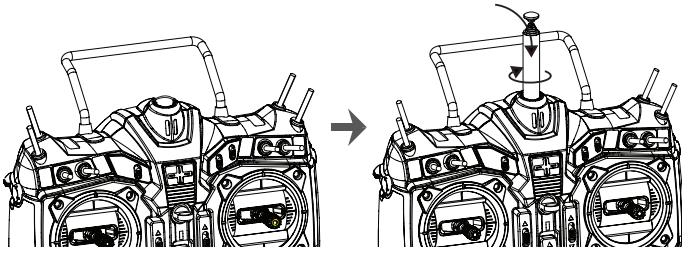


2. Installing the Steel Antenna into the transmitter

- Insert the steel antenna into the antenna hole of the Aurora 9, and turn it to the clock wise direction to tighten up.
- Turn the antenna clockwise until it is securely screwed into the transmitter.



General Use Guidelines

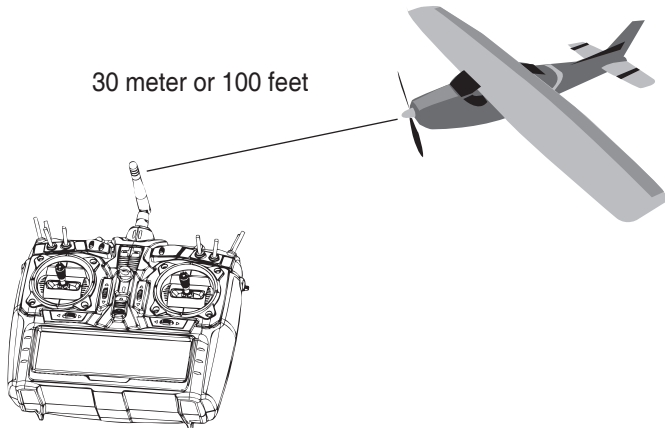
General Use Guidelines

To turn the system on and off, use the following sequence at all times.

Range Check Function

Before each flight, it is critical that you perform a range check to confirm the signal between the receiver and transmitter is appropriate. Unlike 2.4GHz system the FM/PPM or PCM radios, use an extendable steel antenna. Therefore, the method of range check has to be different. Lower the transmitter antenna all the way to reduce the transmitter signal range to minimum level.

Once the antenna collapsed it will shortening the range to approximately 30 meters or 100 feet. During the range check process, you should walk away from the secured aircraft carrying the transmitter to a minimum distance of approximately 30 meters or 100 feet without control loss.



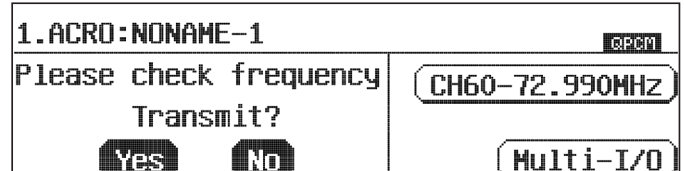
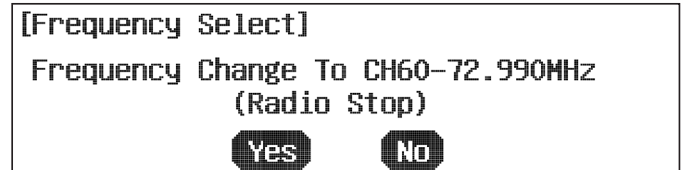
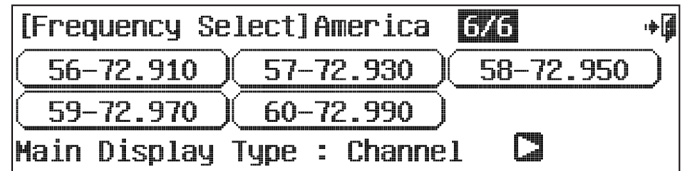
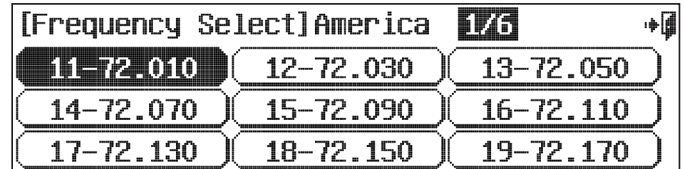
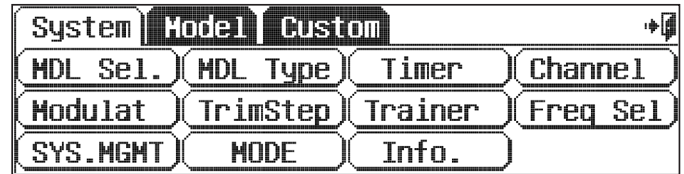
secure the aircraft and walk away
approxamately 30meter without control loss

Warning!

- Do the range check before each flying session to confirm the radio system is working properly.
- Do the range check before the engine or motor is started.
- Turn on the system as explained above and make sure all servos and control surfaces are working properly during the range check process within the range.
- If any control surface is not moving properly, DO NOT fly the aircraft until the problem is solved.
- If you are unable to accomplish a successful range check of 30 meters or 100 feet, DO NOT ATTEMPT TO FLY.

Connecting (Frequency Setting)

Spectra Pro uses synthesize technology does not require classic crystal chips to change its frequencies. Plug into the Aurora 9 transmitter and select your preferred Frequency Channel matches with your receivers. In the case of multiple models are being used from one transmitter, you can connect as many Hitec receivers to your transmitter as necessary, one model per one model memory will be used.



Use one of the following connecting methods to add additional Hitec receivers to your transmitter.

Note

- Connecting must be established within 15 feet of the transmitter and receiver.
- Make sure there is no one next to you are in connecting process.
- In case of synthesized receiver is being used for the connecting process, setup the frequency channel from the Aurora 9 first then turn on the receiver. Again, we really appreciated for your purchase of Spectra Pro FM Synthesize Module, and hope you to enjoy all the great feature of Aurora 9 with your FM series receivers.



SPECTRA PRO

Synthesized RF Module

Instruction Manual

Version 1.0

Introduction

Thank you for your purchase of the Hitec Synthesized 72MHz PCM/PPM Spectra Pro Module for Aurora 9. This manual contains the complete directions on how to install and use the module and the receiver with Aurora 9 transmitter. We encourage you to review the entire manual before using these products.

Service & Support

Hitec Customer Service

Help is available from Hitec customer service through phone support and e-mail inquiries. Our US office is open Monday thru Friday, 8:00AM to 4:30PM PST. These hours and days may vary by season. We make every attempt to answer all incoming service calls; should you reach our voicemail, please leave your name and number and a staff member will promptly return your call.

Hitec Website

We invite you to regularly visit our website at www.hitecrd.com for specification information and descriptions of our entire product line. Our FAQ pages provide valuable information as well as program updates on the radio, module, receiver, and other update available products.

The On-Line Community

One of the benefits of the extensive RC on-line community is the vast wealth of archived information available. Hitec sponsors forums on most of the popular RC websites where a Hitec staff member or representative answers product-related questions. Bringing together strangers with common interests is proving to be one of the greatest gifts of the internet. If past history is any guide to the future, we are certain forums will be started about the Hitec system creating valuable archived information for future access.

Warranty and Non-Warranty Service

All Hitec products carry a two-year warranty against manufacturing defects from date-of-purchase. Our trained, professional service representative will determine if the item will be repaired or replaced. Please complete and include the repair form at www.hitecrd.com when you return your item so that we may administer your repair promptly.

Hitec Service

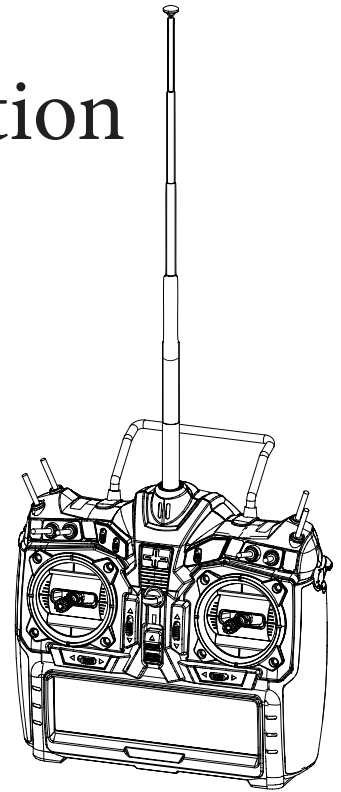
12115 Paine St. Poway CA

920641-858-748-6948

E-mail: service@hitecrd.com

Warning!

1. For maximum performance, we recommend the antenna to be extended to its maximum length.
2. The receiver antenna should not be placed near the engine, metal parts or high current batteries.
3. Depending on flying conditions, you may possibly experience shorten in flight range and unstable flying condition. Please make sure to check and eliminate all the possible problem causes before each flight.



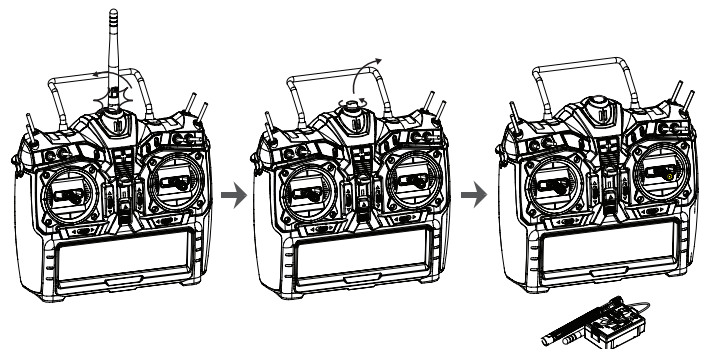
SPECTRA PRO Module Features Synthesized 72MHz PCM/PPM Module Stock # 23772

1. Spectra Pro Module
 - A synthesized RF module, Spectra Pro supports 72MHz PCM/PPM band width. Simply plug in the module to Aurora 9 transmitter and link with the Hitec receivers.
2. Transmitter Antenna
 - To use Spectra Pro with Aurora 9, conventional steel transmitter antenna is required. * Stock # 58005. For the best reception, extend the antenna in full length all the time before flight.
3. Compatible Transmitters
 - The Spectra Pro can only be used with Aurora 9 at this moment.

Transmitter Antenna Installation

The conventional steel antenna (included with the module) required to install prior to use. You are required to remove 2.4GHz antenna and the antenna holder before the installation.

1. Disassembling the Antenna Mount and Folding Antenna
 - a. Snap the antenna apart as shown in picture #1. Carefully remove the module from the back of the Aurora 9 transmitter.
 - b. Remove the antenna mount from the transmitter by turning it to the counter clock wise direction.



HITEC