

# R/C MicroSizers™

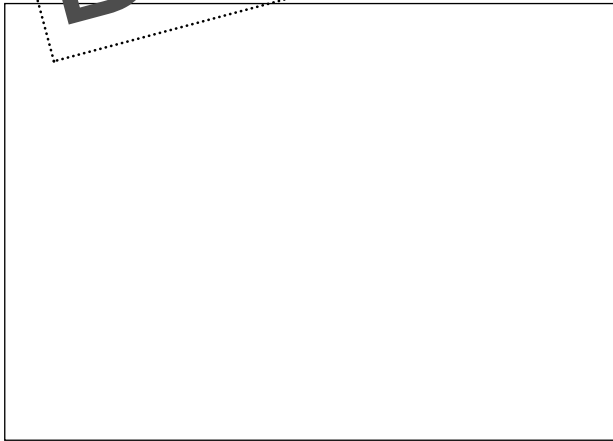
## PowerBrute

by HOBBICO

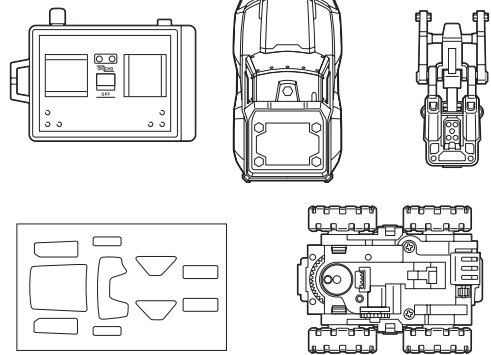
### Instruction Manual

for Models HCAC0491 and HCAC0492

**IMPORTANT:** Please read all instructions thoroughly before operating your vehicle.



#### Box Contents



#### General Safety Precautions

R/C MicroSizers are recommended for ages 8 and older. To ensure the safety and fun of young modelers, please follow these operating instructions and general safety rules:

- Adult supervision is recommended.
- Do not allow children under age 3 to play with the R/C MicroSizers PowerBrute or radio transmitter. The model contains small parts which could accidentally be swallowed and cause suffocation.
- Keep hair, loose clothing, face and fingers away from the tires and wheels while the model is running.
- The transmitter's antenna could also cause injury if played with violently or looped around the neck.
- Never operate your R/C MicroSizers PowerBrute on streets or in any areas where full-size vehicles are.
- Do not pick up your R/C MicroSizers PowerBrute when it is in motion.
- R/C MicroSizers PowerBrutes were designed for indoor use only. Outdoor use may lead to failure due to dirt and dust.
- Do not run your R/C MicroSizers PowerBrute on rugs or carpeting. The fibers may become tangled in the model and cause damage or failure.
- Never charge, run or store your R/C MicroSizers PowerBrute in a location subject to high temperatures, low temperatures or high humidity. Do not store in direct sunlight.
- To avoid electronic malfunction, do not allow the truck to become wet. Short circuits will produce a very strong electrical current. Should your R/C MicroSizers PowerBrute become wet, stop using it immediately.
- Never attempt to disassemble or solder the model. Do not put it into fire.
- Do not drop your R/C MicroSizers PowerBrute from high places.

#### R/C MicroSizers Service Center

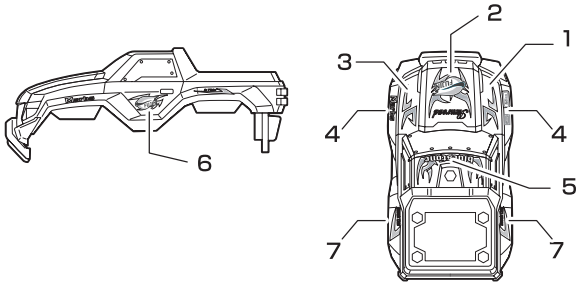
We're eager to help you get the most enjoyment from your R/C MicroSizers. If you have any problems with assembly or operation, please do not return your model to the store. Check our website first. Many easy solutions are available there 24 hours a day, 7 days a week.

[www.microsizers.com](http://www.microsizers.com)

Or, call the R/C MicroSizers Service Center at 1-866-HOBBICO (1-866-462-2426), Monday through Friday, 9:00 am - 4:00 pm Central Time. We've backed your model by a 90-day satisfaction guarantee, so you can be confident of its quality. Happy driving!

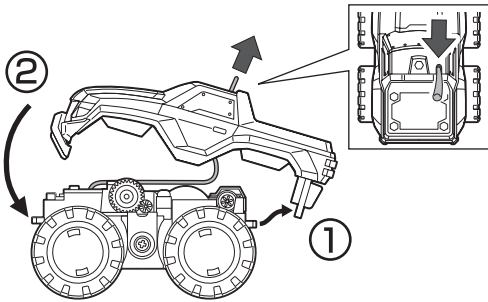
## How to assemble your R/C MicroSizers PowerBrute

### STEP 1: Apply the stickers.



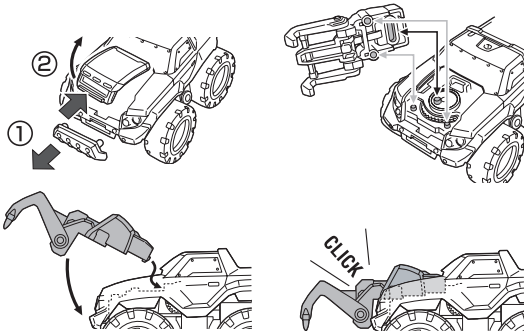
Place the numbered stickers at the locations shown in the illustration.

### STEP 2: Mount the body.



- 1 Thread the antenna through the hole in the top of the body.
- 2 ① Fit the slot in the rear of the body over the tab at the back of the chassis. ② Then snap the front in place.
- 3 For maximum control (8 to 10 ft. [2.4-3.0m] range), extend the antenna wire straight up.

### STEP 3: Install the tool attachment.

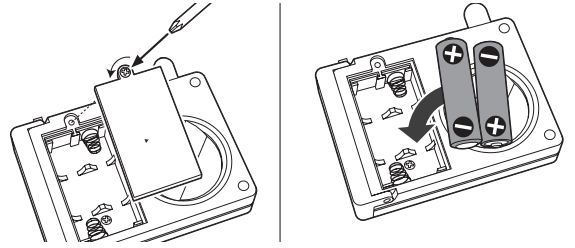


- 1 Pull to remove the front grille.
- 2 Press in and push up at the front to remove the hood.  
Reverse these steps to reattach the hood and grille.
- 3 Fit the rear of the tool attachment against the chassis tab located directly below the body's front windshield. Snap the tool attachment down to fit securely onto the chassis. Make sure that the tool snaps into place firmly. If it does not operate properly, try installing it again. **Reverse these steps to remove the tool.**

### IMPORTANT

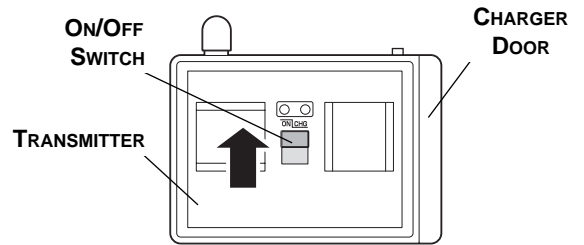
This raised knob on the chassis must be in the slot on the tool attachment's moving arm.

## How to install the batteries

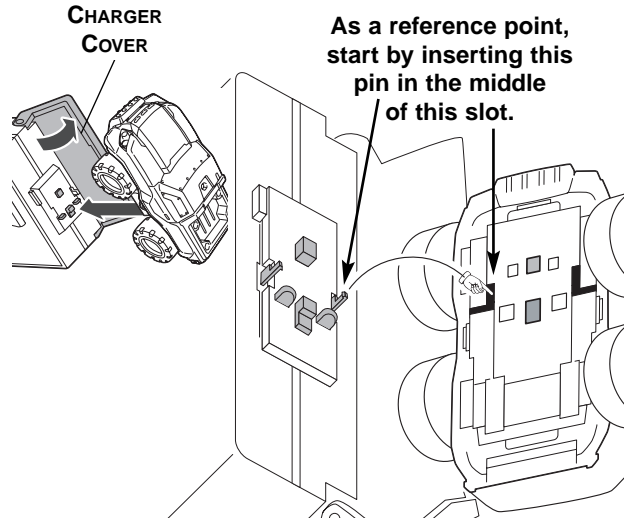


- 1 Remove the battery cover screw with a Phillips screwdriver.
- 2 Install your batteries with the correct polarity.  
This transmitter requires 2 "AA" alkaline batteries. Never use other types of batteries.
- 3 Replace the battery cover and tighten the screw.

## How to charge the vehicle



- 1 Set the transmitter switch to ON.



- 2 Open the cover on the right side of the transmitter. Position the model parallel to the transmitter with the headlights pointing up. Use the illustrations above to align the model with the pins on the transmitter and snap it into place.

- 3 The metal contacts on the model and the charger must make contact. While charging, keep pressing the chassis against the transmitter and make sure the CHG light is on.

- 4 The LED (CHG) on the front of the transmitter will light for 45 seconds. When it goes out, the battery has completed charging.

If the model is attached **before** the transmitter is switched on, it **will not** charge.

## Important Battery Information

### Model Battery Care

A rechargeable battery has been built in to the main body of the model. Using the battery incorrectly will cause it to leak, rupture or ignite. Follow these precautions:

- If your R/C MicroSizers PowerBrute has been unused for a long period or you are charging its built-in battery for the first time, the battery may not charge to full capacity. This does not indicate battery failure. Recharging and running the model 4 or 5 times will gradually lengthen run times.
- Fully discharge the battery by running the truck before recharging.
- Charge the battery only when the truck is NOT running. To prevent overcharging, never recharge a battery which has already been fully charged. This will not increase running speed.
- Recharge the battery only with the transmitter's built-in charger.
- If the chassis becomes warm, let it cool before running again.

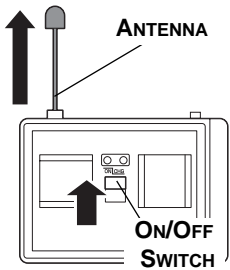
This product uses a NiCd battery. NiCd batteries are recyclable, and a valuable resource. To dispose of the battery, remove it and take it to a recycling center.

### Transmitter Battery Care

Always use AA alkaline batteries. If improper batteries are used in the transmitter, they may become hot, leak and may rupture. Follow these precautions:

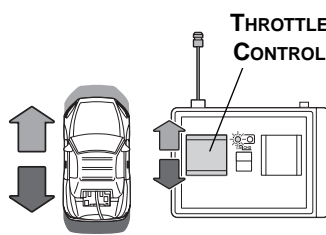
- Never use rechargeable batteries, such as NiCds, in the transmitter.
- Do not mix different types of batteries, or old and new batteries.
- When changing batteries, replace ALL of the old batteries with new ones.
- Make sure the batteries are installed with the correct polarity as shown in the battery compartment.
- Do not charge or disassemble your transmitter batteries. Never allow them to become hot or to burn. To avoid short-circuits, avoid getting them wet.
- If liquid from inside the batteries contacts your skin or clothes, wash them with water. If leaked battery fluid gets into your eyes, flush them immediately with cool water and seek medical attention. Do not rub eyes.
- You can race about 50 times with new AA alkaline batteries.

## How to drive



1 Gently pull up the antenna by hand. **Never** attempt to extend the antenna by turning or pushing the dial on the back of the transmitter.

2 Turn on the transmitter switch.

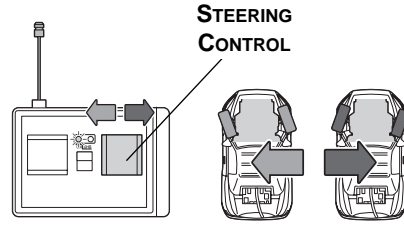


**Throttle** (left toggle control) - Move the truck forward by pushing up, or reverse by pushing down.

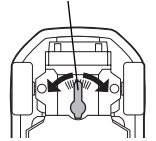
**Steering Wheel** (right toggle control) - Steer the front tires left or right by pushing the right toggle control.

By operating the toggle controls on both the right and left simultaneously, the truck can move forward-right, forward-left, reverse-right, or reverse-left.

To run two R/C MicroSizers cars or PowerBrutes together, each must be on a different frequency.



**STRAIGHT LINE TRIM CONTROL**



If the truck does not go straight when pushing the left toggle control up, move the trim lever on the bottom of the chassis to the left or right to make adjustments.

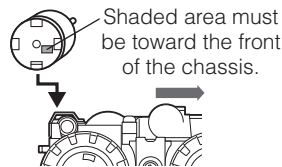
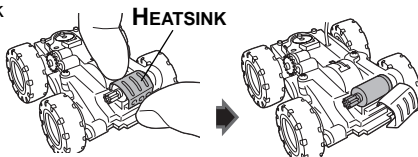
## How to change the drive motor

Optional motors (available separately) can be installed for higher performance.

1 Pull off the heatsink with your fingers.

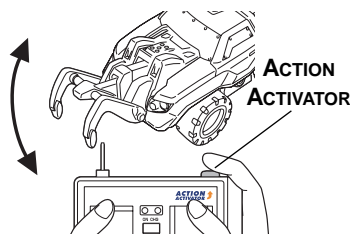
2 Pull out the motor.

3 Install a new motor.



4 When installing a motor, make sure that the motor contacts are in the proper position as shown

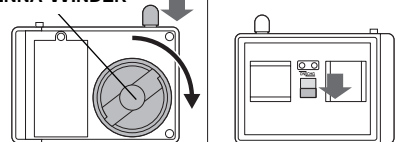
## How to operate the tool attachment



1 Press the transmitter's Action Activator button to move the tool up and down.

## After running

### ANTENNA WINDER



1 Turn the winder on the back of the transmitter to store the antenna. Do not force the antenna back inside the transmitter by hand.

2 Switch the transmitter off. Always turn the switch off when not in use to extend your battery life.

## Troubleshooting

Symptom	Probable cause	Correction
<b>TRUCK DOES NOT RUN</b>	Transmitter battery capacity is low, or no batteries have been installed.	Install two brand-new "AA" alkaline batteries (they <b>MUST</b> be alkaline).
	Transmitter is not switched on.	Move the switch of the transmitter to "ON". Then, charge the truck and race.
	Model is not assembled correctly.	Reassemble it correctly, paying close attention to the instruction steps.
	Radio signals don't seem to reach the model.	Fully extend the antenna. Maximum range is 8 to 10 feet [2.4-3.0m].
	Motor/battery life has expired.	Replacement motors are sold separately.
<b>TRUCK DOES NOT OPERATE PROPERLY</b>	Is there dust on the tires and/or wheels?	Remove dust/lint from the tires and wheels.
	Is the trim lever in a straight position?	Adjust the trim lever until the truck moves straight ahead.
	Are you driving your truck on a rug?	R/C MicroSizers PowerBrutes are not intended for running on rugs or carpets.
<b>TRUCK MOVES UNCONTROLLABLY</b>	Interference from reflected radio waves	Turn off electronic devices or move to a different location.
	Are you running with another truck on the same radio frequency?	Each truck must be on a different frequency.

This device complies with Part 15 of the FCC rules. Operation is subject to the following two conditions: (1) This device may not cause harmful interference, and (2) this device must accept any interference received, including interference that may cause undesired operation.

The manufacturer is not responsible for any radio or TV interference caused by unauthorized modifications to this equipment. Such modifications could void the user's authority to operate the equipment.

Meets Canada 210 requirements. **Carrier Frequency:** 27.145MHz Power: 2µV/m **Carrier Frequency:** 49.860MHz Power: 4µV/m

## Customize your R/C MicroSizers PowerBrute

Use the optional parts and accessories listed here (available separately) to boost the performance of your R/C MicroSizers.

MicroSnap Motor 1.0 .....HCAC1302	Toyota Celica Body Set (silver and clear, 2 bodies) . .HCAC1009
MicroSnap Motor 1.6 .....HCAC1306	Nissan Skyline R34 GT-R Body Set .....HCAC1010
MicroSnap Motor 2.2 .....HCAC1301	(yellow and clear, 2 bodies)
MicroSnap Motor 2.6 .....HCAC1305	Mazda RX-7 Body Set (black and clear, 2 bodies) . .HCAC1011
Digital Lap Counter .....HCAP0002	Hop-Up Kit .....HCAC1313
MicroSizers Pit Case .....HCAP0003	Maintenance Kit .....HCAC1314
27MHz Speed Set .....HCAC1104	Guide Rail & Pylon Set .....HCAC1203
49MHz Speed Set .....HCAC1105	

## Stage a battle of the PowerBrutes

The optional R/C MicroSizers PowerBrute Arena (sold separately) provides the perfect test of your driving skills and a stage to see whose PowerBrute is the **MOST** powerful!

- Navigate narrow bridges and rugged platforms.
- Reach the rotating central platform for a fierce Lug vs. Scrape showdown!
- Arena sections can be rearranged for endless variety of maneuvering challenges.

