

## T4-2400 Transmitter operation Introduction

### 1. Electronic Specification

- a. Operation frequency: 2402- 2480MHz, total 79 frequencies (the space of close frequencies is 1 MHz)
- b. FHSS transmitter mode
- c. Output power  $\leq 4\text{mW}$
- d. Channel: 4 proportional
- e. Operation voltage: 4.8V
- f. Operation current  $< 25\text{mA}$

### 2. Using Guide

- a. Power on the transmitter, the voltage of the battery no less than 4.8V, all the 3 LED s (from left to right: red, yellow and green) illuminated; when the voltage of the battery between 4.4V-4V, green light off; when the voltage below 4V, just the red light on, and then we must charge the battery with the included charger. Please review the attached circuit diagram of the charger.
- b. As the diagram 1 shown, the top transmitter case has 2 control sticks, and their performance as following:  
 Left stick,  
 Up and down, control the Throttle  
 Left and right, control the Rudder  
 Right stick,  
 UP and down, control the Elevator  
 Left and Right, control the Rudder  
 There are 4 trim levers near the 2 sticks, respectively trim the throttle, rudder, elevator and aileron throw.

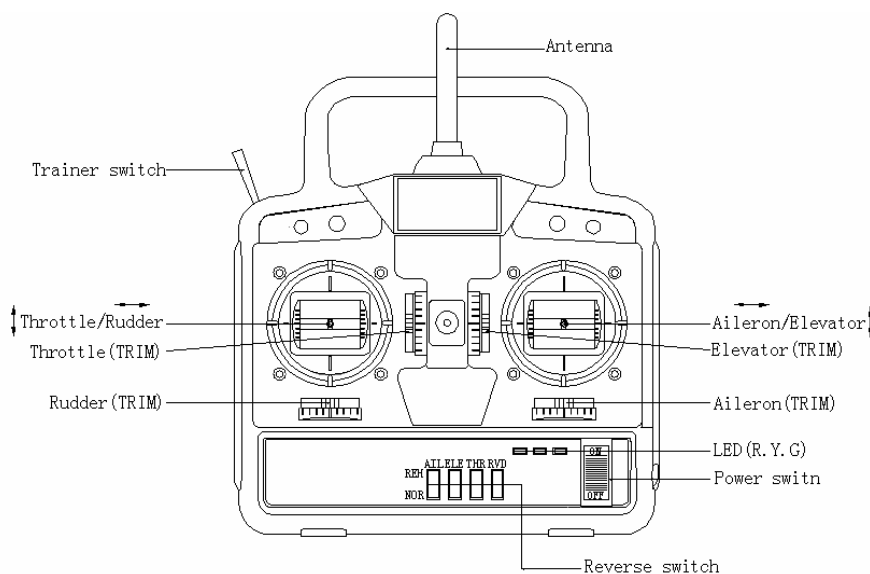


Diagram1. T4-2400MHz transmitter (Front)

- c. There are 4 switches on the right bottom of the top case of the transmitter, respectively for aileron, elevator, throttle and rudder reverse switches.
- d. In the left corner, there is a trainer switch, when the 2 transmitters connected by a trainer core with the trainer jack at the back of the transmitter; stir the trainer switch can make the two transmitters have the trainer function.

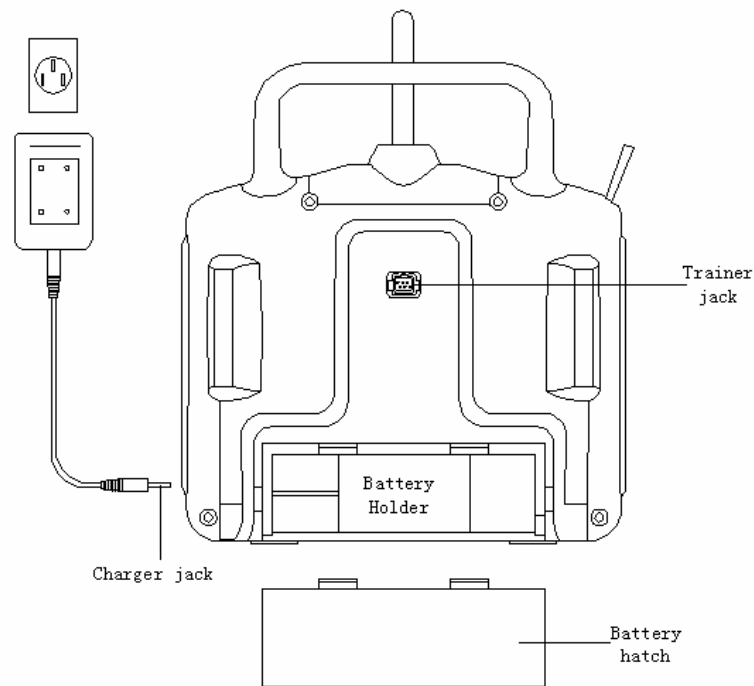


Diagram2. T4-2400MHz transmitter  
(Back)

- e. As the diagram 2 shown, it the back sight diagrams of the transmitter, the charger jack on the left side.
- f. Diagram is showing the receiver, there are a code knob and a LED. First time to use this radio, should be turn on the transmitter firstly, and then connect the receiver battery, and press the code knob on the receiver for 5 seconds, then the LED of receiver be on.  
Notes: while coding the transmitter and receiver, do not allow any other transmitter in the same series to operate within the range of receiver.

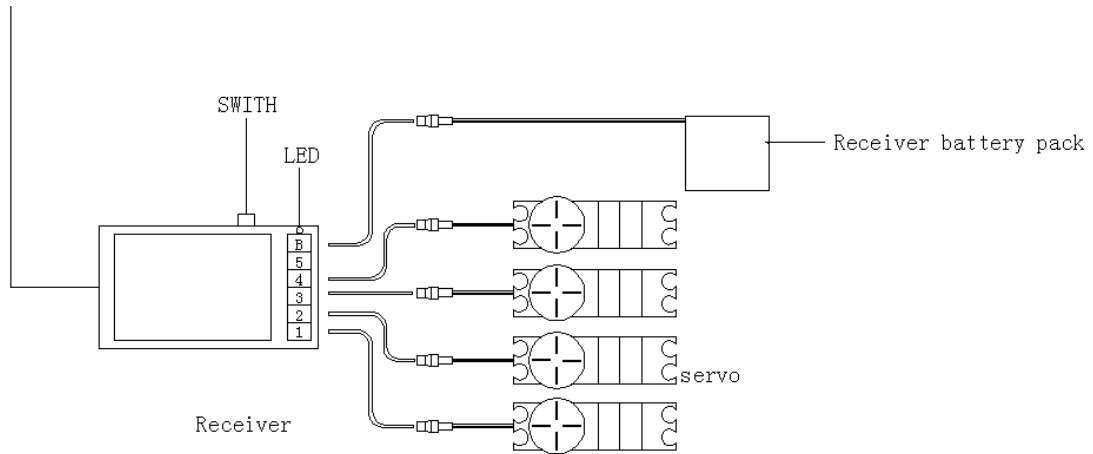


Diagram3. R6M-2400 Installing method

**FCC NOTE:**

This device complies with Part 15 of the FCC Rules. Operation is subject to the following two conditions:(1) this device may not cause harmful interference, and (2) this device must accept any interference received, including interference that may cause undesired operation.

The manufacturer is not responsible for any radio or TV interference caused by unauthorized modifications to this equipment. Such modifications could void the user's authority to operate the equipment.