

TACTIC™

PURE RELIABLE 2.4

TTX200

TTX200

2.4GHZ RADIO CONTROL SYSTEM INSTRUCTION MANUAL

SLT™
SECURE LINK TECHNOLOGY

Thank you for making the Tactic TTX200 2.4GHz SLT system your choice for radio control! This system uses modern 2.4GHz Spread Spectrum technology—an innovation that allows for automatic channel selection and interference-free control of R/C models.

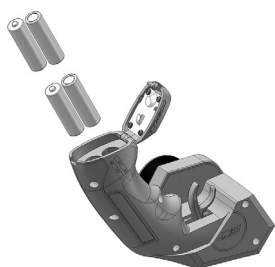


For safe operation and best results, it's strongly recommended to read this manual in its entirety before use! Also read and understand the instructions included with the model. Damage resulting from misuse or modification will void your warranty.

FEATURES

- 2.4GHz Spread Spectrum Technology
- Ergonomic and stylish case design
- Transmitter can bind to multiple receivers
- Built-in failsafe
- Steering and Throttle trim push-buttons
- Power LED with low battery warning indication
- Steering end point adjustment

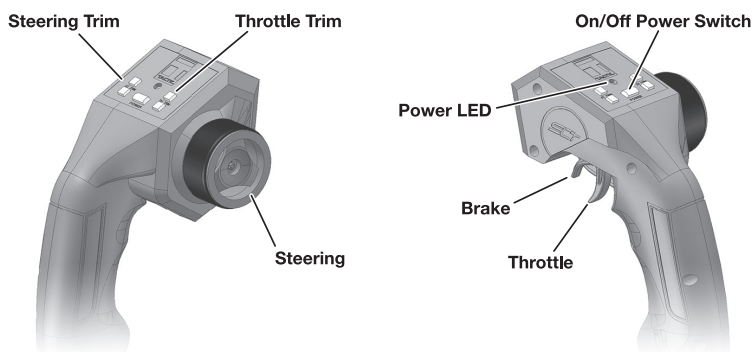
TRANSMITTER



The transmitter (TX) requires four “AA” batteries. Non-rechargeable alkaline or rechargeable nickel-cadmium (NiCd) or nickel-metal hydride (NiMH) cells can be used. Do not mix old and new cells, or mix non-rechargeable alkaline cells with rechargeable NiCd or NiMH cells, etc. Note the TTX200 transmitter does not include a charge jack for rechargeable cells. A separate “AA” cell charger will be necessary.



IMPORTANT: Do not operate an R/C model with weak batteries as it could result in reduced range and/or possible loss of control!



Slide the power switch to turn the TX on. The “POWER” LED should illuminate. If not, turn off the TX and check the batteries to make sure each cell is firmly in place and in the proper direction. If the TX LED blinks, the batteries are low on power and should be replaced.

LINK THE RE20 TO THE TRANSMITTER

The RE20 uses an auto-match process to link to the TTX200 or another Tactic transmitter. With the TTX200 and RE20 within 12 inches of each other, power on the TTX200 and then the RE20. Once the RE20 is powered up, it will auto-link to the nearest TTX200. The TTX200 and RE20 will come linked to one another from the factory. The red LED will glow solid when linked to the transmitter correctly. Perform a system check prior to using.

TTX200 PROGRAMMING

Several of the TTX200 features are adjusted electronically by following these steps:

REVERSE

Steering With the transmitter turned off, press and hold the top ST TRIM button and press the power button. The LED will flash one time to confirm when performed correctly.

Throttle With the transmitter turned off, press and hold the top TH TRIM button and press the transmitter's power button. The LED will flash one time to confirm when performed correctly.

STEERING END POINT ADJUSTMENT

With the transmitter turned on:

Left EPA Turn wheel FULL LEFT DIRECTION, use ST TRIM push buttons to adjust.

Right EPA Turn wheel FULL RIGHT DIRECTION CLOCKWISE, use ST TRIM push buttons to adjust.

RE20 PROGRAMMING

The RE20 programming is adjusted electronically by the TTX200.

BATTERY TYPE

When powering up RE20, the motor will beep according to which battery type setting it is programmed for. 2 beeps = NiMH, 3 beeps = LiPo. The default setting is NiMH (2 beeps).

To change battery type: First start with the TTX200 and RE20 powered OFF. Apply power to the RE20. Push and hold both ST TRIM buttons and turn ON the TTX200. The LED will flash to confirm. Release the buttons and the motor will beep in relation to its setting.

DRAG BRAKE

There are two settings for the Drag Brake: 1 = OFF, 2 = 50%. The default setting is OFF.

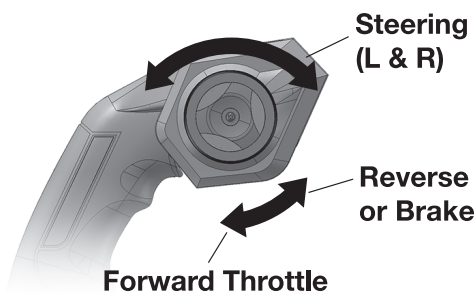
To change the drag brake setting: First start with the TTX200 and RE20 powered off. Apply power to the RE20. Push and hold both TR TRIM buttons and turn on the TTX200.

SYSTEM CHECK

Always turn on the Tx first, then the Rx. Make sure the steering servo operates according to the movement of the Tx controls.

STEERING

Turn the steering wheel left and right. Make sure there are no obstructions with the steering servo's movement, and the servo moves in the proper direction. If the steering wheel is turned to the right but the model turns left, reverse the steering channel (see TTX200 Programming).



THROTTLE

Squeeze the throttle trigger to make the car move forward. If the car moves backwards, reverse the throttle channel (see TTX200 Programming).

FAILSAFE

This radio system includes a “fail-safe” function, which will automatically center (bring to neutral) all servos if the RE20 loses signal communications from the transmitter. When the RE20 regains signal it will automatically resume normal function.

RANGE CHECK

The “range” or safe operating distance from the TTX200 to the RE20 is typically as far as you can clearly see the model. Before operating the model, perform a simple range check to make sure the transmitter maintains good radio contact with the receiver within your operating area.

SAFETY PRECAUTIONS



- NEVER allow water or moisture to make contact with the electronic components inside the TTX200, RE20, servos, switch harness, etc.! This could lead to failure or improper functionality of components and poor control of vehicle which could pose a safety hazard.
- NEVER operate R/C equipment if you are physically impaired as it could pose a safety hazard to yourself or others in the area.
- NEVER allow small children to operate/control model R/C equipment without the supervision of an adult.
- NEVER allow the transmitter’s throttle trigger to accidentally be moved away from the neutral position while the vehicle is powered up.
- Always range check the radio system before use.
- Always make sure that all transmitter movements operate all servos/motor properly in the model.
- Do not store your radio equipment in extremely hot or cold locations, in direct sunlight, or in locations with high humidity. Store R/C equipment in a cool and dry location.
- Do not allow chemicals to come in contact with any parts of the radio system. Substances such as glow fuel, gasoline, CA glue, etc. could permanently damage plastic parts of the radio system.
- If rechargeable batteries were installed in the transmitter, remove the batteries before placing the radio in long-term storage.

TROUBLESHOOTING

RANGE IS SHORT

- Interference** – Check RE20 installation and servo connection.
- Low TX or RX Battery** – Replace the batteries or recharge if applicable.
- Crash Damage** – Send the radio to Hobby Services for repair.

RUN TIME IS SHORT

Low TX or RX Batteries – Replace the batteries.

Obstructed Servo Linkages

Causing Excess Battery Drain – Free the linkages/pushrods.

TX POWER SWITCH ON BUT SERVO DOES NOT FUNCTION

TX or RX Batteries are Low – Replace the batteries or check TX or RX battery polarity. Check servo and motor connections.

INTERFERENCE OR SERVOS GLITCHING

Out of Range – Operate the model more closely to the transmitter.

Outside Radio Interference – Check your local R/C club for confirmation of dangerous/interfering frequencies in your area.
(paggers, strong industrial or other commercial TXs in the area)

CONTROL SURFACE MOVES IN THE WRONG DIRECTION

Channel Reverse Error – Follow the steps in the TTX200 section to reverse the channel.

STEERING SERVO GLITCHES

Servo is Bad – Replace the servo or send to Hobby Services for repair.

Contact Hobby Services for other problems.

TTX200 SPECIFICATIONS

TRANSMITTER

Channels: 2

Frequencies: 2.403-2.480GHz

Protocol: Tactic SLT

Modulation: FHSS spread spectrum

Input Power: 3.40-7.00V DC, four 1.5V alkaline or 1.2V NiCd/NiMH "AA" single cells.

Output Power: <0.1W

Power On Indicator: red LED

RE20

Channels: 2

Receiving Frequencies: 2.403-2.480GHz

Modulation: FHSS spread spectrum

Input Power: 6.0-8.4V

Dimensions: .256" x 0.94" x 1.14"
(65 x 24 x 29mm)

Weight: 0.6oz (16.7g)

FCC STATEMENT

This device complies with part 15 of the FCC rules. Operation is subject to the following two conditions.



(1) This device may not cause harmful interference.

(2) This device must accept any interference received, including interference that may cause undesired operation.

FCC Rf Radiated Exposure Statement: The equipment complies with FCC Rf radiation exposure limits set forth for an uncontrolled environment. This

equipment should be installed and operated with a minimum distance of 20 centimeters between the radiator and your body.

NOTE: THE MANUFACTURER IS NOT RESPONSIBLE FOR ANY RADIO OR TV INTERFERENCE CAUSED BY UNAUTHORIZED MODIFICATIONS TO THIS EQUIPMENT. SUCH MODIFICATIONS COULD VOID THE USER'S AUTHORITY TO OPERATE THE EQUIPMENT.

ACCESSORIES AND OTHER ITEMS

Stock #	Description
DTXP4704	Onyx AA Alkaline Battery (4)
DTXP4191	Onyx 110 AC/DC Peak Charger
TACJ0300	TTX300 3CH 2.4GHz Pistol Tx Rx
TACL0325	TR325 3CH 2.4GHz Receiver Only
TACL0326	TR326 3CH 2.4GHz RX Only HV

CE COMPLIANCE INFORMATION FOR THE EUROPEAN UNION

INSTRUCTIONS FOR DISPOSAL OF WASTE EQUIPMENT BY PRIVATE USERS IN THE EUROPEAN UNION:

This symbol on the product or its packaging indicates this product must not be disposed of with other household waste. Instead, it is the user's responsibility to dispose of their waste equipment by handing it over to a designated collection point or the recycling of waste electrical and electronic equipment. The separate collection and recycling of your waste equipment at the time of disposal will help to conserve natural resources and ensure that it is recycled in a manner that protects human health and the environment. For more information about where you can drop off your waste equipment for recycling, please contact your local city office, your household waste disposal service or location where you purchased the product.



DECLARATION OF CONFORMITY:

Product: Tactic TTX200 2.4GHz 2-Channel
Pistol TX

Item Number: TACJ0220

Equipment Class: 1



TACTIC TTX200 TRANSMITTER AND TACTIC RE20 RX/ESC 2IN1

The objects of the declaration described here are in conformity with article 3.1(a) the requirements of safety contained in the European 2006/95/EC Directive and article 3.1(b) the requirements of EMC contained in Directive 2004/108/EC and article 3.2 requirements of radio equipment in Directive 1999/5/EC.

EN 60950-1:2006 + A11:2009 + A1:2010 + A12:2011

ETSI EN 300 328 V1.8.1

ETSI EN 301 489-1 V1.9.2 (2011-09)

ETSI EN 301 489-17 V2.2.1 (2012-09)

ETSI EN 62311:2008

US standard: FCC 15.247
Japan standard: ARIB STD-T66
Canada standard: RSS210&RSS GEN
Product name: TTX200
Product type: TACJ0220
Brand: Tactic

Tactic
c/o Hobbico, Inc.
2904 Research Road
Champaign, IL USA 61826

INDUSTRY CANADA NOTICE

This device complies with Industry Canada license-exempt RSS standard(s). 1. Operation is subject to the following two conditions: (1) this device may not cause interference, and (2) this device must accept any interference, including interference that may cause undesired operation of the device. 2. Changes or modifications not expressly approved by the party responsible for compliance could void the user's authority to operate the equipment.

This equipment complies with IC radiation exposure limits set forth for an uncontrolled environment. In order to avoid the possibility of exceeding the IC radio frequency exposure limits, Human proximity to the antenna shall not be less than 20cm (8 inches) during normal operation.

Avis d'Industrie Canada

Le présent appareil est conforme aux CNR d'Industrie Canada applicables aux appareils radio exempts de licence. L'exploitation est autorisée aux deux conditions suivantes : (1) l'appareil ne doit pas produire de brouillage, et (2) l'utilisateur de l'appareil doit accepter tout brouillage radioélectrique subi, même si le brouillage est susceptible d'en compromettre le fonctionnement. Cet appareil numérique ne dépasse pas les Rèlements sur l'interférence radio par un appareil numérique de classe B stipulées dans les Règlement sur l'interférence radio d'industrie Canada.

2. Les changements ou modifications de cette unité non expressément approuvés par la partie responsable de la conformité pourraient annuler l'autorité de l'utilisateur à utiliser l'équipement.

IC RF Déclaration sur la radioexposition:

Cet appareil est conforme avec l'exposition aux radiations IC Définies pour un environnement non contrôlé. Les utilisateurs finaux doivent suivre les instructions de fonctionnement spécifiques pour satisfaire la conformité aux expositions RF.

TAIWAN NATIONAL COMMUNICATIONS COMMISSION (NCC) STATEMENT

根據NCC低功率電波輻射性電機管理辦法 規定:

1. 經型式認證合格之低功率射頻電機，非經許可，公司、商號或使用者均不得擅自變更頻率、加大功率或變更原設計之特性及功能。
2. 低功率射頻電機之使用不得影響飛航安全及干擾合法通信；經發現有干擾現象時，應立即停用，並改善至無干擾時方得繼續使用。

前項合法通信，指依電信法規定作業之無線電通信。

低功率射頻電機須忍受合法通信或工業、科學及醫療用電波輻射性電機設備之干擾。

WARRANTY AND REPAIR

1-YEAR LIMITED WARRANTY

Tactic warrants this product to be free from defects in materials and workmanship for a period of one (1) year from the date of purchase. During that period, Tactic will, at its option, repair or replace without service charge any product deemed defective due to those causes. You will be required to provide proof of purchase (invoice or receipt). This warranty does not cover damage caused by abuse, misuse, alteration or accident. If there is damage stemming from these causes within the stated warranty period, Tactic will, at its option, repair or replace it for a service charge not greater than 50% of its then current retail list price. Be sure to include your daytime telephone number or e-mail address in case we need to contact you about your repair. This warranty gives you specific rights. You may have other rights, which vary from state to state.

For service on your Tactic product, send it post paid and insured to:

HOBBY SERVICES

3002 N. Apollo Dr., Suite 1
Champaign, IL 61822

Tel: (217) 398-0007

(9:00am - 5:00pm CST, M-F)

E-mail: hobbyservices@hobbico.com

*For warranty and service information if purchased outside the U.S.A. or Canada, ask your retailer for more information.

In the European Union, send it postpaid and insured to:

Service Abteilung Revell GmbH

Henschelstrasse 20-30
32257 Bünde Germany

Tel: 01805-110111 (nur für Deutschland)

E-mail: Hobbico-Service@Revell.de

Distributed in the EU by Revell GmbH, Bünde Germany

- This product is suitable only for people of 14 years and older. This is not a toy!
- **WARNING: CHOKING HAZARD** - May contain small parts. Keep away from children under 3 years. Please retain packaging for future reference.
- No part of this manual may be reproduced in any form without prior permission.
- The contents of this manual are subject to change without prior notice.
- Tactic is not responsible for the use of this product.

TACTICTM
PURE RELIABLE 2.4
ITX200

tacticrc.com

FCC ID: IYFTTX200