



TACTIC TTX240

2.4GHz Radio Control System Operation Guide

Thank you for making the Tactic 2.4GHz system your choice for radio control! This system uses modern 2.4GHz Spread Spectrum technology – an innovation that allows you to use this system without worrying about interference from other radio systems.

Features

- ⊗ 2.4GHz Spread Spectrum Technology
- ⊗ Lightweight, compact receiver without antenna wire
- ⊗ Neutral return signal loss failsafe built in
- ⊗ Multiple receivers linkable to TX
- ⊗ Steering and throttle trims
- ⊗ Servo reversing
- ⊗ Steering rate adjustment (on some models)
- ⊗ 3rd channel switch (on some models)
- ⊗ Battery indicator light (with low battery warning)

FCC Statement

This device complies with part 15 of the FCC rules. Operation is subject to the following two conditions.

- (1) This device may not cause harmful interference.
- (2) This device must accept any interference received, including interference that may cause undesired operation.

NOTE: THE MANUFACTURER IS NOT RESPONSIBLE FOR ANY RADIO OR TV INTERFERENCE CAUSED BY UNAUTHORIZED MODIFICATIONS TO THIS EQUIPMENT. SUCH MODIFICATIONS COULD VOID THE USER'S AUTHORITY TO OPERATE THE EQUIPMENT.

Warranty

1-YEAR LIMITED WARRANTY *U.S.A. and Canada Only

Tactic warrants this product to be free from defects in materials and workmanship for a period of one (1) year from the date of purchase. During that period, Tactic will, at its option, repair or replace without service charge any product deemed defective due to those causes. You will be required to provide proof of purchase (invoice or receipt). This warranty does not cover damage caused by abuse, misuse, alteration or accident. If there is damage stemming from these causes within the stated warranty period, Tactic will, at its option, repair or replace it for a service charge not greater than 50% of its then current retail list price. Be sure to include your daytime telephone number in case we need to contact you about your repair. This warranty gives you specific rights. You may have other rights, which vary from state to state.

For service on your Tactic product, warranty or non-warranty, send it post paid and insured to:

HOBBY SERVICES
Attn: Service Department
3002 N. Apollo Dr., Suite 1
Champaign, IL 61822

Phone: (217) 398-0007
9:00 am - 5:00 pm Central Time M-F

E-mail: hobbyservices@hobbico.com

Transmitter

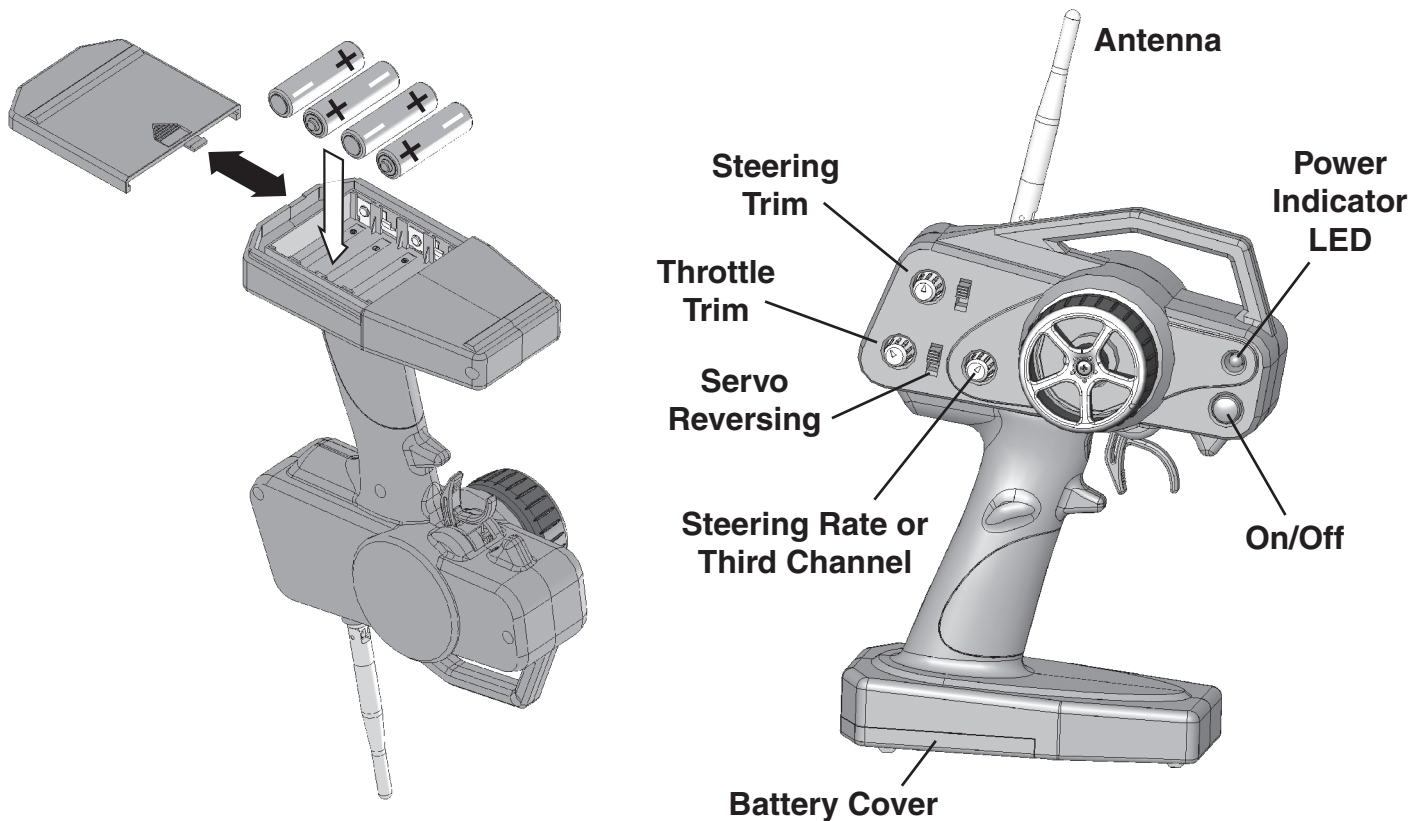


Figure 1

Figure 2

The transmitter (Tx) requires 4 "AA" batteries. Do not mix old and new cells. Do not mix alkaline, standard or rechargeable batteries. To install the batteries, slide open the battery door on the bottom of the Tx (see figure 1). Install the batteries in the holder following the configuration molded into the case, making sure to note the proper polarities on each cell. Close the battery door.

Turn the Tx power switch on (see figure 2). The "BATT" LED should illuminate. If not, turn off the Tx and check the configuration of the batteries to make sure each cell is firmly in place and in the proper direction. If the red LED blinks, the batteries are low on power and should be replaced. **DO NOT OPERATE AN R/C VEHICLE WITH LOW BATTERIES AS IT COULD RESULT IN REDUCED RANGE AND POSSIBLE LOSS OF CONTROL OF THE MODEL.**

During normal operation, always keep the Tx antenna in the up position.

Installation

SERVOS Because there are a variety of specific applications for servos in R/C modeling, different servos are designed for different applications. For each servo, use a servo horn long enough to accommodate the entire range of movement for that particular control.

RECEIVER, SWITCH HARNESS AND RECEIVER BATTERY

Insert 4-AA alkaline batteries into the receiver battery holder in the direction shown on the battery holder. After the servos and receiver are mounted into your model per the model's manual, connect the servos and switch harness to the receiver where shown. The servo connectors are polarized to prevent improper connection. Pay close attention when connecting them to the receiver. If you are using an electronic speed control (ESC), connect the ESC's throttle lead to channel 2 in the receiver and refer to the ESC's instructions for further set-up details (the battery holder and switch harness should be omitted when using an ESC). Center the steering and throttle trim adjustments (see figure 2) before installing servo horns.

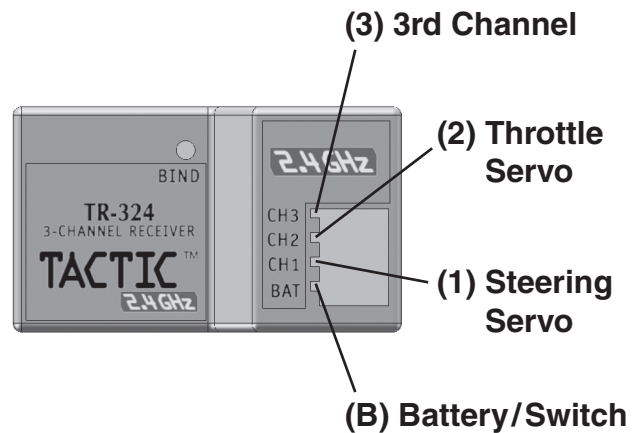


Figure 3

Bind the Transmitter to the Receiver

1. Turn on the transmitter.
2. Turn on the receiver. If the receiver is not bound, the LED light will not be on.
3. Push and hold the bind button on the receiver until the light glows red and then off (about one second).
4. Release the bind button.
5. If the binding is successful, the LED will flash once and then remain ON.

You are ready to go!

System Check

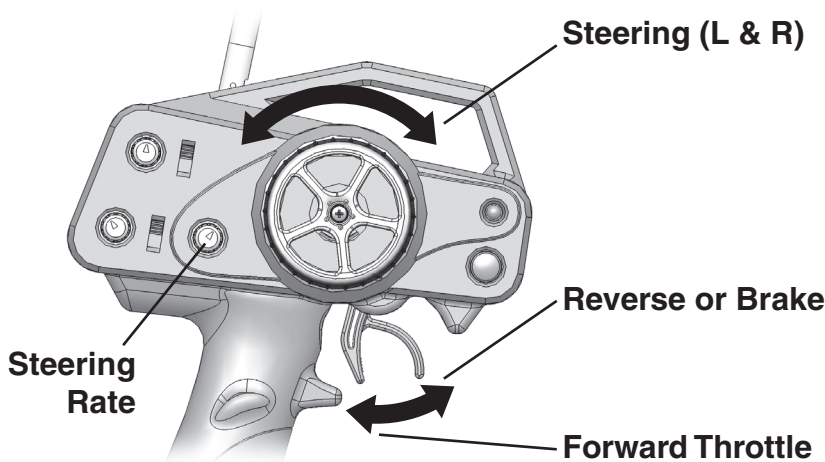


Figure 4

Turn on the Tx, then the Rx. Make sure all servos operate according to the movement of the Tx controls.

STEERING Move the steering control left and right. Be sure there is no binding and that the steering controls move in the proper direction (see figure 4). If the steering wheel is turned to the right but the model turns left, move the steering reversing switch to the "R" position, and vice-versa.

STEERING RATE This adjustment (see figure 4), is used to fine tune the steering servo throw. The steering rate knob allows you to increase/decrease the amount of steering travel.

THROTTLE Squeeze the throttle trigger. If the throttle servo moves in the wrong direction, move the throttle reversing switch to the "R" position. (See the model's instruction manual for specific set-up instructions.)

Troubleshooting

Problem	Possible Cause	Solution
Range is short	Interference	Check frequencies in the area, check Rx installation
	Low Tx or Rx battery	Replace the batteries
	Crash damage	Send the radio to Hobby Services for repair
Run time is short	Low Tx or Rx batteries	Replace the batteries
	Binding servos causing excess battery drain	Free the binding components in pushrods or moving surfaces, see model's manual
Tx LED is steady but the servos do not function	Rx batteries need to be replaced	Replace the batteries
	Rx switch in the off position	Turn on the switch harness
	Switch harness is connected incorrectly	See the quick reference guide
	Rx is not properly bound	Follow the instructions for binding
Interference or servos glitching	Out of range	Operate closer
	Outside interference (Pagers, transmission towers, etc)	Check your local R/C club for confirmation of dangerous frequencies in your area
One glitching servo	Servo is bad	Send the servo to Hobby Services for repair