

# TACTIC™

PURE RELIABLE 2.4

TTX240



## TTX240

2.4GHZ RADIO CONTROL SYSTEM  
INSTRUCTION MANUAL



**SLT™**  
SECURE LINK TECHNOLOGY

Thank you for making the Tactic TTX240 2.4GHz SLT system your choice for radio control! This system uses modern 2.4GHz Spread Spectrum technology – an innovation that allows for automatic channel selection and interference-free control of R/C models.



It is strongly recommended to completely read this manual before use! Damage resulting from misuse or modification will void your warranty.

### FEATURES

- 2.4GHz Spread Spectrum Technology
- Transmitter can bind to multiple receivers
- Tiny, lightweight receiver with internal antenna
- Built-in fail-safe
- Steering and throttle trim dials
- Steering and throttle servo reversing
- Steering rate adjustment
- Power LED with low battery warning indication

TACJ0245 v3

## TRANSMITTER

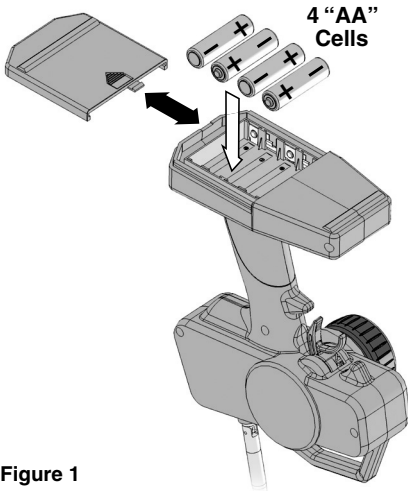


Figure 1

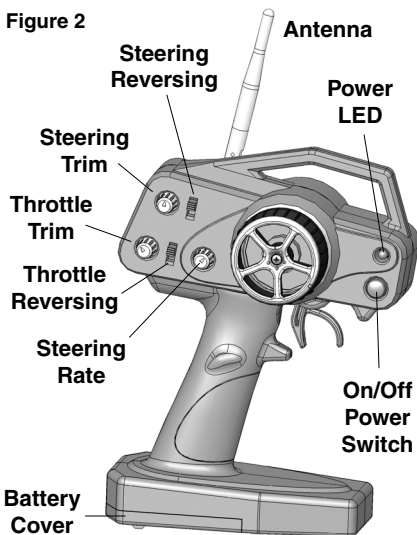
The transmitter (Tx) requires 4 "AA" batteries. Non-rechargeable alkaline or rechargeable nickel-cadmium (NiCd) or nickel-metal hydride (NiMH) cells can be used. Do not mix old and new cells, or mix non-rechargeable alkaline cells with rechargeable NiCd or NiMH cells, etc. See the SERVOS AND ACCESSORIES section at the end of this manual for optional rechargeable NiCd and NiMH batteries and chargers. Note the TTX240 transmitter does not include a charge jack for rechargeable cells. A separate "AA" cell charger will be necessary.

To install the batteries, slide open the battery door on the bottom of the Tx (see figure 1). Install the batteries in the holder as shown in the diagram (see marks molded inside the case). Make sure to note the proper polarities on each cell. Close the battery door.



**IMPORTANT: Do not operate an R/C model with weak batteries as it could result in reduced range and/or possible loss of control!**

Figure 2



Press the power switch to turn the Tx on (see figure 2). The "POWER" LED should illuminate. If not, turn off the Tx and check the batteries to make sure each cell is firmly in place and in the proper direction. If the Tx LED blinks, the batteries are low on power and should be replaced.

When operating the model, carefully rotate the Tx antenna so that it's always locked in the full upright position.

## **BIND THE RECEIVER TO THE TRANSMITTER**

For proper installation and operation of the 2.4GHz transmitter and receiver system, it is necessary to “bind” them together electronically. This ensures sole communication between the two and prevents other transmitters from being able to control the receiver. To bind the Tx and Rx:

1. Turn on the transmitter.
2. Apply power to the receiver (see the INSTALLATION section that follows for how to do this).
3. If the receiver’s LED flashes once and then stays on, the Rx is already bound to the Tx and you can skip to the next section. Otherwise, push and hold the receiver’s “BIND” button until its LED glows red and then turns off after about one second.
4. Release the bind button.
5. If the binding is successful, the LED will flash once and then remain ON.
6. Test for proper Tx / Rx functionality by completing the next section. If it doesn’t seem the radio has bound properly, repeat steps 1-6 above.

## **INSTALLATION**

**Receiver:** Mount the receiver as specified in your model’s instructions. As a guideline, mount in a secure location using double-sided tape. Route the servo wires so they do not interfere with any moving parts. For boat applications, it’s highly recommended to wrap the receiver in a balloon or enclose it in a water-tight box.

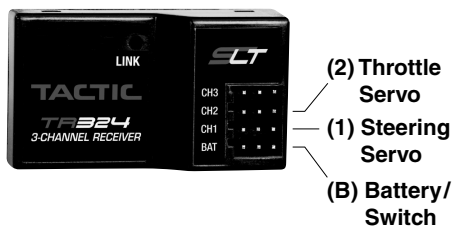


Figure 3

**Servos:** See the SERVOS AND ACCESSORIES section at the end of this manual for a full list of optional servos. CENTER THE TRIM DIALS on the Tx. Mount the servos inside the model and connect the linkages to the servo using an appropriate length servo arm. Make sure all mechanical linkages are free of obstructions and can move smoothly. Connect the servos to the receiver as shown in Figure 3. Turn the transmitter’s trim dials to finely adjust the servo’s center point as needed to match the installation.

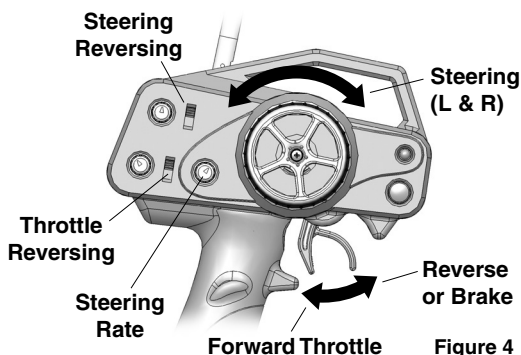
**Electronic Speed Control (ESC):** If using an electronic speed control, connect it to channel 2 of the receiver (throttle). Center the transmitter’s throttle trim and follow the ESC instructions for programming.

**Switch / Battery:** It may not be necessary to use the included switch harness and 4-cell battery holder if using an optional electronic speed control (ESC). Check the instructions with your ESC for further information. Otherwise, mount the included switch harness into the model as instructed in the model's manual, and insert the switch harness's proper mating plug into the receiver's "BAT" slot (bottom). For off-road environments, it's a good idea to wrap or enclose the switch harness to prevent dirt from entering the switch and causing poor operation. Insert four "AA" alkaline, NiCd, or NiMH batteries in the included 4-cell battery holder (note proper polarity). Connect the battery holder to the switch harness and the switch harness to the BAT slot.

## SYSTEM CHECK

Turn on the Tx, then the Rx. Make sure all servos operate according to the movement of the Tx controls (refer to figure 4).

**Steering:** Turn the steering wheel left and right. Make sure there are no obstructions with the steering servo's movements, and the servo moves in the proper direction. If the steering wheel is turned to the right but the model turns left, reverse the position of the Steering Reversing switch.



**Steering rate:** This dial adjusts the limits that the steering servo can travel on each side. Turning the dial will widen or narrow the steering end points. Adjusting this dial to your preference can help to customize control of steering in different applications.

**Throttle:** Squeeze the throttle trigger to make the car move forward. If the car moves backwards, reverse the position of the Throttle Reversing switch. (See the model's instruction manual for specific set-up instructions.) Push the trigger forward for reverse or brake function.

**Fail-safe:** This radio system includes a "fail-safe" function, which will automatically center (bring to neutral) all servos if the receiver loses signal communications from the transmitter. When the receiver regains signal it will automatically resume normal function.

**Range check:** The "range" or safe operating distance from the Tx to the Rx is typically as far as you can clearly see the model. Before operating the model, perform a simple range check to make sure the transmitter maintains good radio contact with the receiver within your operating area.

## **SERVO AND ACCESSORIES**

<b>Stock #</b>	<b>Description</b>
TACL0324	Tactic TR324 2.4GHz 3CH Receiver Only
TACM2000	Tactic Switch Harness, Futaba J Plugs
TACM2001	Tactic Switch Harness with Charge Plug, Futaba J Plugs
TACM2020	Tactic 4-Cell AA Battery Holder, Futaba J
TACM2040	Tactic TTX240 Tx Battery Door
DTXM1055	IntelliSpeed™ AutoSport™ Fwd ESC
DTXM1059	IntelliSpeed AutoSport Fwd/Rev ESC
DTXC3164	Onyx 1/10 Scale 3930kV Brushless System
DTXC3165	Onyx 1/10 Scale 4420kV Brushless System
DTXC3166	Onyx 1/10 Scale 5900kV Brushless System
DTXC3172	Onyx 1/10 Scale 3650kV Short Course Brushless System
DTXC3174	Onyx 1/10 Scale 4550kV Short Course Brushless System
TACM0235	Tactic TSX35 Standard Sport Servo
TACM0240	Tactic TSX40 Std Hi Speed MG 2BB Servo
TACM0245	Tactic TSX45 Std Hi Torque MG 2BB Servo
TACM0247	Tactic TSX47 Std Digital Hi Torque MG 2BB Servo
DTXP4190	Onyx™ 100 AC/DC Peak Charger
DTXP4200	Onyx 200 AC/DC Sport Peak Charger
DTXP4245	Onyx 245 AC/DC Dual Charger with Balancing
DTXP4615	Power Kit w/1500mAh NiMH, AC Wall Charger, 8 "AA" alkalines
DTXP4704	Onyx AA Alkaline Battery (4)

## **TTX240 SPECIFICATIONS**

### **TRANSMITTER**

- Channels:** 1 5
- Frequencies:** 2.403 – 2.480GHz
- Modulation:** spread spectrum FHSS
- Input power:** four "AA" alkaline, NiCd, or NiMH cells
- Output power:** < 0.1W
- Power on indicator:** red LED
- Antenna:** non-removable, folding

### **RECEIVER**

- Channels:** 1 5
- Receiving freqs:** 2.403 – 2.480GHz
- Modulation:** spread spectrum FHSS
- Input power:** four "AA" alkaline, NiCd or NiMH cells
- Dimensions:** 1.77 x 0.98 x 0.5" (45 x 25 x 13mm)
- Weight:** 0.25 oz (7g)

## **TROUBLESHOOTING**

**RANGE IS SHORT:** Interference – check Rx installation and servo connections. Low Tx or Rx battery – replace the batteries. Crash damage – send the radio to Hobby Services for repair.

**RUNTIME IS SHORT:** Low Tx or Rx batteries – replace the batteries. Obstructed servo linkages causing excess battery drain – free the linkages / pushrods.

**Tx LED ON BUT SERVOS DO NOT FUNCTION:** Rx batteries are low – replace the batteries. Rx switch is in the off position – turn on the ESC or switch harness. Switch harness or ESC is connected incorrectly – check all connections and the ESC instruction manual. Rx is not binded to the Tx properly – perform binding process again.

**INTERFERENCE OR SERVOS GLITCHING:** Out of range – operate the model more closely to the transmitter. Outside radio interference (pagers, strong industrial or other commercial transmitters in the area) – check your local R/C club for confirmation of dangerous / interfering frequencies in your area.

**ONLY ONE SERVO GLITCHES:** Servo is bad – replace the servo or send to Hobby Services for repair.

## **FCC STATEMENT**

This device complies with part 15 of the FCC rules. Operation is subject to the following two conditions.

- (1) This device may not cause harmful interference.
- (2) This device must accept any interference received, including interference that may cause undesired operation.

**NOTE:** THE MANUFACTURER IS NOT RESPONSIBLE FOR ANY RADIO OR TV INTERFERENCE CAUSED BY UNAUTHORIZED MODIFICATIONS TO THIS EQUIPMENT.

Any changes or modifications not expressly approved by the party responsible for compliance could void the user's authority to operate the equipment.

This equipment complies with FCC radiation exposure limits set forth for an uncontrolled environment.

This transmitter must not be co-located or operating in conjunction with any other antenna or transmitter.

## **CE COMPLIANCE INFORMATION FOR THE EUROPEAN UNION**

### **INSTRUCTIONS FOR DISPOSAL OF WASTE EQUIPMENT BY PRIVATE USERS IN THE EUROPEAN UNION:**

This symbol on the product or its packaging indicates this product must not be disposed of with other household waste. Instead, it is the user's responsibility to dispose of their waste equipment by handing it over to a designated collection point for the recycling of waste electrical and electronic equipment. The separate collection and recycling of your waste equipment at the time of disposal will help to conserve natural resources and ensure that it is recycled in a manner that protects human health and the environment. For more information about where you can drop off your waste equipment for recycling, please contact your local city office, your household waste disposal service or location where you purchased the product.



### **DECLARATION OF CONFORMITY:**

Product: Tactic TTX240 2.4GHz 2-Channel Pistol Tx Rx  
Item number: TACJ0245  
Equipment class: 1



### **TACTIC TTX240 TRANSMITTER AND TACTIC TR324 RECEIVER:**

The objects of the declaration described here are in conformity with article 3.1(a) the requirements of safety contained in the European 2006/95/EC Directive and article 3.1(b) the requirements of EMC contained in Directive 2004/108/EC and article 3.2 requirements of radio equipment in Directive 1999/5/EC.

EN 60950-1:2006 + A11:2009 + A1:2010 + A12:2011  
ETSI EN 300 328 V1.7.1 (2006-10)  
ETSI EN 301 489-1 V1.9.2 (2011-09)  
ETSI EN 301 489-17 V2.2.1 (2012-09)  
ETSI EN 62311:2008

Tactic  
c/o Hobbico, Inc.  
2904 Research Road  
Champaign, IL USA 61826

## **WARRANTY AND REPAIR**

### **1-YEAR LIMITED WARRANTY**

Tactic warrants this product to be free from defects in materials and workmanship for a period of one (1) year from the date of purchase. During that period, Tactic will, at its option, repair or replace without service charge any product deemed defective due to those causes. You will be required to provide proof of purchase (invoice or receipt). This warranty does not cover damage caused by abuse, misuse, alteration or accident. If there is damage stemming from these causes within the stated warranty period, Tactic will, at its option, repair or replace it for a service charge not greater than 50% of its then current retail list price. Be sure to include your daytime telephone number or e-mail address in case we need to contact you about your repair. This warranty gives you specific rights. You may have other rights, which vary from state to state.

For service on your Tactic product, send it post paid and insured to:

#### **HOBBY SERVICES**

3002 N. Apollo Dr., Suite 1  
Champaign, IL 61822

Tel: (217) 398-0007

(9:00am - 5:00pm CST, M-F)

E-mail: [hobbyservices@hobbico.com](mailto:hobbyservices@hobbico.com)

\*For warranty and service information if purchased outside the U.S.A. or Canada, ask your retailer for more information.

In the European Union, send it postpaid and insured to:

**Service Abteilung Revell GmbH**  
Henschelstrasse 20-30  
32257 Bünde Germany

**Tel: 01805 110111** (nur für Deutschland)

**Email: [Hobbico-Service@Revell.de](mailto:Hobbico-Service@Revell.de)**

Distributed in the EU by Revell GmbH, Bünde Germany

# **TACTIC**<sup>TM</sup>

PURE RELIABLE 2.4

## **ITTX240**

[tacticrc.com](http://tacticrc.com)

FCC ID: IYFTTX240PA