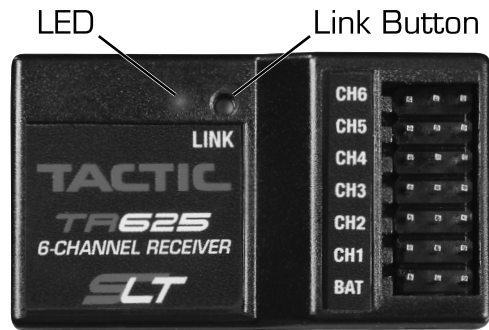


# RECEIVER and FLIGHT EQUIPMENT INSTALLATION (if applicable)

## RECEIVER (Rx)

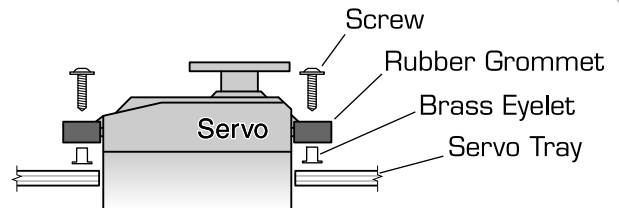
Mount the Rx as specified in the model's instructions. Wrapping the Rx with foam rubber can help to prevent damage resulting from vibration but could prevent adequate airflow from passing over the Rx. See the **SERVOS AND ACCESSORIES** section for additional Tactic receivers.



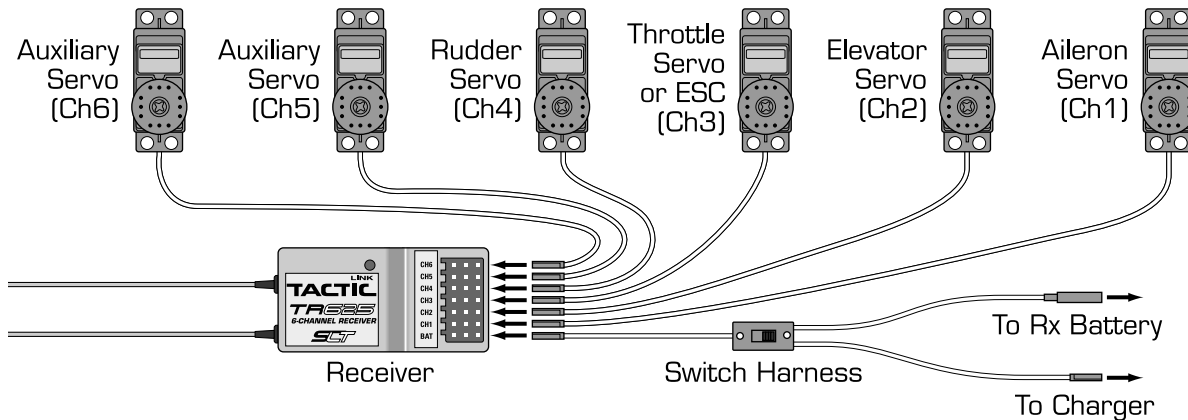
- CH6 Auxiliary (Flaps)
- CH5 Auxiliary (Landing Gear)
- CH4 Rudder
- CH3 Throttle (ESC or Servo)
- CH2 Elevator
- CH1 Aileron
- BAT Battery

## SERVOS

Center all trims on the Tx. Install the servos in the model and connect linkages as shown in the model's instructions. Do NOT over-tighten the mounting screws, as the servos should be able to move slightly to compensate for engine vibration. Make sure the pushrods are not too loose or bind in any way, and use a servo arm which allows for full range of motion for the servo. This can be tested by moving the Tx sticks to maximum positions several times while observing the movement of the control surfaces. Adjust binding servos/linkages to prevent excessive draining of the battery. Move the Tx trims to finely adjust the servo's center point as needed for the application.



Connect the servos to the Rx as shown. Route the wires to not interfere with moving parts.



See the **SERVOS AND ACCESSORIES** section on page 12 for a full list of optional servos.

# ELECTRIC and COMBUSTION POWERED APPLICATIONS

## ELECTRIC MODELS

An optional ESC (electronic speed control) will be necessary to control speed of the electric motor, and to supply power to the receiver and servos. Connect the ESC's receiver plug to Rx slot marked CH3 (for throttle). Center the transmitter's throttle trim and follow the ESC instructions for proper operation and connection of the battery.

## COMBUSTION MODELS

Individual “AA” NiCd or NiMH rechargeable batteries can be installed in the included battery holder to power the flight electronics (do not use alkaline cells). An optional rechargeable battery pack could instead be used. See the **SERVOS AND ACCESSORIES** section on page 12 for suggested options. The included switch harness can conveniently turn power ON/OFF to the flight electronics. Refer to the model’s instructions for the location to mount the battery, Rx, and switch harness for optimum weight distribution.



**IMPORTANT!** Apply power to the Tx **BEFORE** applying power to the Rx, and make sure the Tx throttle stick is at minimum (idle) position. Failure to do so could result in the model becoming uncontrollable and cause a safety hazard.

Locate the switch harness away from the propeller and the glow engine exhaust. Cut a hole in the side of the fuselage large enough to allow the switch’s lever to move fully from end-to-end - but not so long that the mounting screws cannot be secured to the fuselage. Connect the wire at the “ON” side of the switch to the receiver’s “BAT” slot. Connect the battery to the appropriate wire at the “OFF” side of the switch. The remaining wire at the “OFF” side of the switch can be used for re-charging the battery through the switch harness. Make sure the switch is in the “OFF” position to charge the battery through the switch.

## LINK THE RECEIVER TO THE TRANSMITTER

Linking the TTX610 to the included receiver ensures sole communication between the two, and prevents other transmitters from being able to control the receiver.

1. Turn on the Tx.
2. Apply power to the Rx.
3. If the Rx LED flashes once and then stays on, the Rx is already linked to the Tx and you can skip to the next section. Otherwise, insert a small diameter screwdriver through the hole marked “LINK” and press the pushbutton until the Rx LED glows red and then turns off after about one second.
4. Release the “LINK” button.
5. If the linking is successful, the Rx LED will flash once and then remain ON.
6. Test for proper Tx / Rx functionality before use. If the radio doesn’t appear to have become properly linked, repeat steps 1-5 above and move the Tx at least three feet away from the Rx.

## FAILSAFE FUNCTION

The failsafe function is controlled by the included receiver. This function engages in the event the signal from the Tx somehow becomes interrupted. In such case, channels 1, 2, 4, 5, and 6 (not channel 3) will hold their last received position.

The factory default failsafe position for channel 3 is 0% throttle. The throttle’s failsafe position can be manually set to any other position if desired, as follows:

1. **IMPORTANT:** Make sure the servo reversing switches are in the correct position for the application.
2. Apply power to the Tx, then the Rx.
- 3a. If using an ESC: Do NOT arm the ESC, or attempt to adjust the throttle’s failsafe position if the ESC is armed. NOTE: If using an ESC which has a signal loss feature, its pre-set failsafe position will be irrelevant as the receiver’s failsafe function will cease the throttle operation if the signal becomes lost.
- 3b. If using a combustion engine: Do NOT attempt to adjust the throttle’s failsafe position while the engine is operating.
4. Move the Tx throttle stick to the desired throttle failsafe position.
5. Press and hold the receiver’s “LINK” button. The Rx’s LED should blink twice. Release the LINK button, and the LED should stay on continuously. The Tx and Rx should now be linked, with the throttle failsafe in the new position as set above.

## SYSTEM CHECK and OPERATION



**WARNING!** Always make sure that power is applied to the transmitter BEFORE applying power to the receiver and servos, and the Tx throttle stick is at minimum (idle) position. Failure to do so could result in the model becoming uncontrollable and cause a safety hazard. During all pre-flight preparations, do not stand the Tx upright on the ground. Carefully lay the Tx on its back on the ground to prevent it from falling over and possibly dislodging the throttle stick which would create a safety hazard. Make sure all devices are properly mounted inside the model, and all wiring connections are solid to prevent them from easily becoming dislodged during normal flight. It's best to check the system with the propeller removed from the aircraft.

1. Once all connections are made, check the general operation of the radio and all other components before attempting a flight.
2. Move the Tx throttle stick to the minimum (idle) position.
3. Turn on the Tx, and then the Rx.
4. Make sure all controls are operating in the proper direction. If any servo is turning in the wrong direction, change the reverse setting for that particular channel.
5. With both sticks at center position, move the trim levers for the aileron, elevator, and rudder channels so each respective control surface is perfectly aligned with the main surface. For example: When the aileron trim lever is in the center position, it's best that the trailing edge of the aileron is aligned with the trailing edge of the wing itself (not above or below the wing's trailing edge).
6. Make sure movements of the throttle stick result in an equal adjustment of the throttle in the model. Depending on whether the airplane is electric or combustion powered:
  - a. Electric: confirm that when the throttle stick is at maximum position the ESC gives the appropriate indications (LED and/or beeps) for full forward flight. And, when the throttle stick is at minimum position the ESC gives the appropriate indications for "off" or no motor rotation.
  - b. Combustion: confirm that when the throttle stick is at maximum position the mechanical linkage allows the engine to be at full throttle. And, when the throttle stick is at minimum position and the throttle trim lever is moved to minimum position, the engine stops completely.
7. Perform a "range check" to confirm the safe operating distance from the Tx to the Rx. With the assistance of another person, place the aircraft on the ground and walk 100 feet (30m) away from the model. With the Tx pointed directly at the model move the controls and confirm all surfaces move appropriately.
8. Anytime power is to be removed from the radio system, it's important to shut down power in the aircraft first. Otherwise, the aircraft could become out of control and cause a safety hazard! Move the throttle stick and throttle trim lever to minimum position to stop the combustion engine or shut down the ESC. Once the propeller has stopped rotating, move the switch harness in the model to the OFF position, then disconnect the power battery from the ESC in electric airplanes. Then turn off the power switch on the Tx.

## FLYING THE AIRCRAFT

1. Once all setup procedures have been confirmed, and power has been removed from the model and transmitter, re-attach the propeller to the model and prepare for flight.



**IMPORTANT:** Be very careful to stay clear from moving propellers!!

2. Make sure the combustion engine's fuel tank has an adequate amount of fuel, and power batteries for electric airplanes are fully charged.

3. Move the Tx throttle stick to minimum position, then turn on the Tx power switch. Turn on the power switch in the model or connect the flight battery.
4. During the first flight, it might be necessary to re-trim the aileron, elevator, and rudder channels to allow the airplane to sustain smooth, even flight. If further adjustments are required on the ground, make sure to turn off the engine or ESC/motor beforehand.
5. When the flight is completed, remove power from the system as described before. Shut down power to the electronic speed control or combustion engine first, then the receiver, and finally the transmitter.

## SAFETY GUIDE

The Academy of Model Aeronautics (AMA) has established a Membership Manual which includes a description of the AMA's function and mission, insurance benefits, the Model Aircraft Safety Code, membership renewal information, and more. Model flying **MUST** be in accordance within AMA guidelines for AMA Liability Protection to apply. See the website listed below, or contact the AMA for further details:

**Academy of Model Aeronautics**      (765) 287-1256 – Business  
5161 East Memorial Drive            (765) 289-4248 – Fax  
Muncie, Indiana 47302                (800) 435-9262 – Membership Services

<http://www.modelaircraft.org>  
<http://www.modelaircraft.org/files/Memmanual.PDF>

Practice good safety precautions at all times when flying model aircraft. The AMA can assist in locating authorized local flying clubs and fields. The TTX610 is intended for use with radio control model hobby airplanes. Use with non-hobby related products for non-hobby related activities is not recommended or encouraged. Any alterations or modifications to any parts of this product are not recommended. Tactic is not responsible for unauthorized repairs or modifications. All unauthorized repairs will void the warranty.

## SERVOS and ACCESSORIES

TACL0424 TR424 4CH Micro Receiver  
TACL0624 TR624 6CH Receiver  
TACL0625 TR625 6CH Twin Antenna Receiver  
TACM0205 TSX5 Micro High Speed Servo  
TACM0210 TSX10 Micro Digital High Torque Metal Geared Servo  
TACM0225 TSX25 Mini Digital High Speed 2BB Servo  
TACM0235 TSX35 Standard Sport Servo  
TACM0245 TSX45 Std High Torque Metal Gear 2BB Servo  
TACM2090 Servo Extension 6" Futaba J  
TACM2500 Y-Harness 20" Futaba J  
TACP0101 Tx Rx Charge Leads Tactic  
DTXP4704 Onyx "AA" Alkaline Battery (4)  
DTXP4708 Onyx "AA" Alkaline Battery (8)  
TACM1000 Tactic to Tactic Trainer Cord  
TACM1005 Tactic to Spektrum® JR® Trainer Cord  
TACM1010 Tactic to Futaba® Round Trainer Cord  
TACM1011 Tactic to Futaba Square Trainer Cord

See **[www.tactic.com](http://www.tactic.com)** for a full list of radio parts and accessories.

# SPECIFICATIONS

## TTX610 TRANSMITTER

- Channels:** 6
- Frequencies:** 2.403 – 2.480GHz
- Modulation:** FHSS spread spectrum
- Input power:** four “AA” alkaline, NiCd, or NiMH cells (not included)
- Output power:** < 0.1W
- Power indicators:** LED, with low voltage alarm
- Reversing switches:** DIP switches, all channels
  - Trims:** digital for each channel
- Antenna:** built-in non-removable
- Charge jack:** built-in (Futaba compatible, for use with optional NiCd or NiMH cells)
- Trainer function:** wired, and wireless (compatible with Tactic brand transmitters only)
- Trainer jack:** 3.5mm mono headphone socket
- Optional mixes:** elevon, V-tail

## TR625 RECEIVER

- Channels:** 6
- Frequencies:** 2.403 – 2.480GHz
- Modulation:** FHSS spread spectrum
- Input power:** four “AA” NiCd or NiMH cells (4.0-6.0V, not included)
  - Failsafe:** throttle adjustable, all other channels maintain last recognized positions
- Dimensions:** 1.77 x 0.98 x 0.5” (45 x 25 x 13mm)
- Weight:** 0.28 oz. (8g)

## OTHER ITEMS INCLUDED

- On/off switch harness with built-in charge lead
- Neck strap
- 4 cell “AA” battery holder for receiver

# IMPORTANT WARNINGS and PRECAUTIONS



- **NEVER** allow water or moisture to make contact with the electronic components inside the transmitter, receiver, servos, switch harness, etc.! This could lead to failure or improper functionality of components and poor control of aircraft which could pose a safety hazard.
- **NEVER** operate R/C model aircraft near power lines, radio or cell phone towers, roads or automobiles, buildings, or pedestrians. Be very careful in locations where many R/C aircraft are being used simultaneously.
- **NEVER** operate R/C equipment if you are physically impaired as it could pose a safety hazard to yourself or others in the area.
- **NEVER** allow small children to operate/control model R/C equipment without the supervision of an adult.
- **NEVER** allow the transmitter's throttle stick to accidentally be moved away from the “off” or minimum position while the model's engine/motor is moving.
- **ALWAYS** range check the radio system before use.
- **ALWAYS** make sure that all transmitter stick movements operate all servos properly in the model. Check the proper operation of control surfaces before and after starting the engine/motor.
- Do not store your radio equipment in extremely hot or cold locations, in direct sunlight, in locations with high humidity. Store R/C equipment in cool and dry locations.

- Do not allow chemicals to come in contact with any parts of the radio system. Substances such as glow fuel, gasoline, CA glue, etc. could permanently damage plastic parts of the radio system.
- If rechargeable batteries were installed in the Tx, remove the batteries before placing the radio in long-term storage.

## TROUBLESHOOTING

**RANGE IS SHORT:** Interference – check Rx installation. Weak Tx or Rx battery – replace the batteries or recharge as applicable. Rx may need to be located to a different position in the model for better reception. Crash damage – send the radio to Hobby Services for repair.

**RUN TIME IS SHORT:** Weak Tx or Rx batteries – replace or recharge the batteries. Obstructed servo linkages causing excess battery drain – free the linkages / pushrods.

**Tx ON BUT SERVOS DO NOT FUNCTION:** Weak Tx or Rx batteries – replace or recharge the batteries. Rx switch is in the off position – turn on the switch harness or ESC. Switch harness or ESC is connected incorrectly – check all connections and the ESC instruction manual. Rx is not linked to the Tx properly – perform linking process again.

**INTERFERENCE OR GLITCHING SERVOS:** Out of range – operate the model more closely to the Tx. Rx located too closely to engine, motor, or servos or other moving mechanical parts which might be creating unwanted electrical noise – relocate the Rx inside the model or relocate the ESC.

**CONTROL SURFACE MOVES IN THE WRONG DIRECTION:** Reverse the position of the reversing switch for the appropriate channel.

**ONLY ONE SERVO GLITCHES:** Servo is bad – replace the servo or send to Hobby Services for repair.

**FAILSAFE NOT WORKING CORRECTLY:** Rx not properly linked to the Tx – re-link and re-try. Contact Hobby Services for further details.

**WIRELESS TRAINER FUNCTION NOT LINKING:** Confirm that another 2.4GHz SLT system is not on in your area. The teacher's and student's transmitters were not powered in the proper sequence or are positioned too far from each other. Carefully follow the instructions on page 7 for proper linking and operation for training.

**RECHARGEABLE BATTERIES WON'T ACCEPT CHARGE THROUGH THE TX:** Check the charger for proper setup and operation. Make sure the charge plug is inserted fully into the charge jack. Make sure the Tx power switch is in the OFF position. Make sure the cells are inserted inside the battery compartment in the proper direction.

**Contact Hobby Services for other problems.**

## FCC STATEMENT

This device complies with part 15 of the FCC rules. Operation is subject to the following two conditions.



(1) This device may not cause harmful interference.

(2) This device must accept any interference received, including interference that may cause undesired operation.

FCC Rf Radiated Exposure Statement: The equipment complies with FCC Rf radiation exposure limits set forth for an uncontrolled environment.

**NOTE: THE MANUFACTURER IS NOT RESPONSIBLE FOR ANY RADIO OR TV INTERFERENCE CAUSED BY UNAUTHORIZED MODIFICATIONS TO THIS EQUIPMENT. SUCH MODIFICATIONS COULD VOID THE USER'S AUTHORITY TO OPERATE THE EQUIPMENT.**

FCC ID: IYFTTX610

# CE COMPLIANCE INFORMATION FOR THE EUROPEAN UNION

**Instructions for Disposal of Waste Equipment by Private Users in the European Union:** This symbol on the product or its packaging indicates this product must not be disposed of with other household waste. Instead, it is the user's responsibility to dispose of their waste equipment by handing it over to a designated collection point for the recycling of waste electrical and electronic equipment. The separate collection and recycling of your waste equipment at the time of disposal will help to conserve natural resources and ensure that it is recycled in a manner that protects human health and the environment. For more information about where you can drop off your waste equipment for recycling, please contact your local city office, your household waste disposal service or location where you purchased the product.

## Declaration of Conformity:

Product: Tactic TTX610 2.4GHz 6-Channel Tx and TR625 Rx  
Item number: TACJ2610  
Equipment class: 2



The objects of the declaration described here are in conformity with the requirements of the specifications listed below, following the provisions of the European 2006/95/EC Low Voltage Directive:

EN 60950-1:2006+A11:2009+A1:2010+A12:2011

The objects of the declaration described here are in conformity with the requirements of the specifications listed below, following the provisions of the European R&TTE directive 1995/5/EC:

ETSI EN 300 328 V1.8.1  
ETSI EN 301 489-1 V1.9.2 (2011-09)  
ETSI EN 301 489-17 V2.2.1 (2012-09)

Tactic  
c/o Hobbico, Inc.  
2904 Research Road  
Champaign, IL USA 61826

# INDUSTRY CANADA NOTICE

This device complies with Industry Canada license-exempt RSS standard(s). 1. Operation is subject to the following two conditions: (1) this device may not cause interference, and (2) this device must accept any interference, including interference that may cause undesired operation of the device. 2. Changes or modifications not expressly approved by the party responsible for compliance could void the user's authority to operate the equipment.

Avis d'Industrie Canada

Le présent appareil est conforme aux CNR d'Industrie Canada applicables aux appareils radio exempts de licence. L'ex-ploitation est autorisée aux deux conditions suivantes: (1) l'appareil ne doit pas produire de brouillage, et (2) l'utilisateur de l'appareil doit accepter tout brouillage radioélectrique subi, même si le brouillage est susceptible d'en compromettre le fonctionnement. Cet appareil numérique ne dépasse pas les Rèlements sur l'interférence radio par un appareil numérique de classe B stipulées dans les Règlement sur l'interférence radio d'industrie Canada.

US standard: FCC 15.247  
Japan standard: ARIB STD-T66  
Canada standard: RSS 210 & RSS GEN

Product name: TTX610  
Product type: TACJ2610  
Brand: Tactic

# 1-YEAR LIMITED WARRANTY

Tactic warrants this product to be free from defects in materials and workmanship for a period of one (1) year from the date of purchase. During that period, Tactic will, at its option, repair or replace without service charge any product deemed defective due to those causes. You will be required to provide proof of purchase (invoice or receipt). This warranty does not cover damage caused by abuse, misuse, alteration or accident. If there is damage stemming from these causes within the stated warranty period, Tactic will, at its option, repair or replace it for a service charge not greater than 50% of its then current retail list price. Be sure to include your daytime telephone number in case we need to contact you about your repair. This warranty gives you specific rights. You may have other rights, which vary from state to state.

For service on your Tactic product in North America, send it postpaid and insured to:

**HOBBY SERVICES**

3002 N. Apollo Dr., Suite 1  
Champaign, IL 61822

Tel: (217) 398-0007 (9:00am - 5:00pm CST, M-F)

E-mail: [hobbyservices@hobbico.com](mailto:hobbyservices@hobbico.com)

In the European Union, send it postpaid and insured to:

**Service Abteilung Revell GmbH**

Henschelstrasse 20-30  
32257 Bünde Germany

Tel: 01805-110111 (nur für Deutschland)

E-mail: [Hobbico-Service@Revell.de](mailto:Hobbico-Service@Revell.de)

tacticrc.com  
Tx-Ready.com

Made in China  
TACJ2610MNL

© 2014 Tactic, a Hobbico company. **HOBIBICO**

Distributed in the EU by Revell GmbH, Bünde Germany

- This product is suitable only for people of 14 years and older. This is not a toy!
- **WARNING: CHOKING HAZARD** - May contain small parts. Keep away from children under 3 years. Please retain packaging for future reference.
- No part of this manual may be reproduced in any form without prior permission.
- The contents of this manual are subject to change without prior notice.
- Tactic is not responsible for the use of this product.

