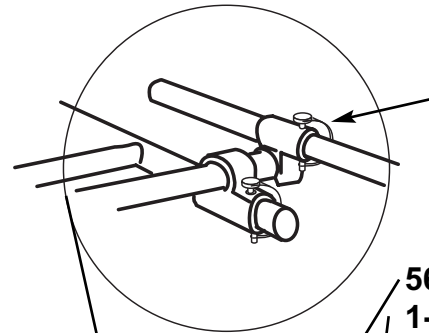




FLOAT CAT PARTS DIAGRAM - PAGE ONE

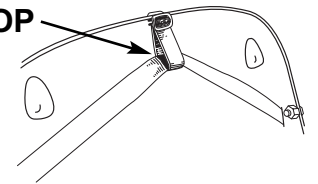
Updated 5/14/97

CROSS BAR / 60	65001
CROSS BAR / 75	65101
SEAT BACK WITH APRON BUSHING	66011
SEAT MESH ASSEMBLY	66001
SEAT PAD WITH VELCRO	66041
SEAT INNER FOAM WEDGE	SCFW600



FOOTREST HANGER PKG 63031
 4 HANGERS / 2 LYNCH PINS
1 HANGER IMFR600
1 LYNCH PIN RSLP678

56" STRAP 66071
1-6" LOOP 66051
66061 3" LOOP



10" SEAT POST 66021
 WITH SCREW

CARGO RACK 64001
 2 HANGERS, 2 LYNCH PINS

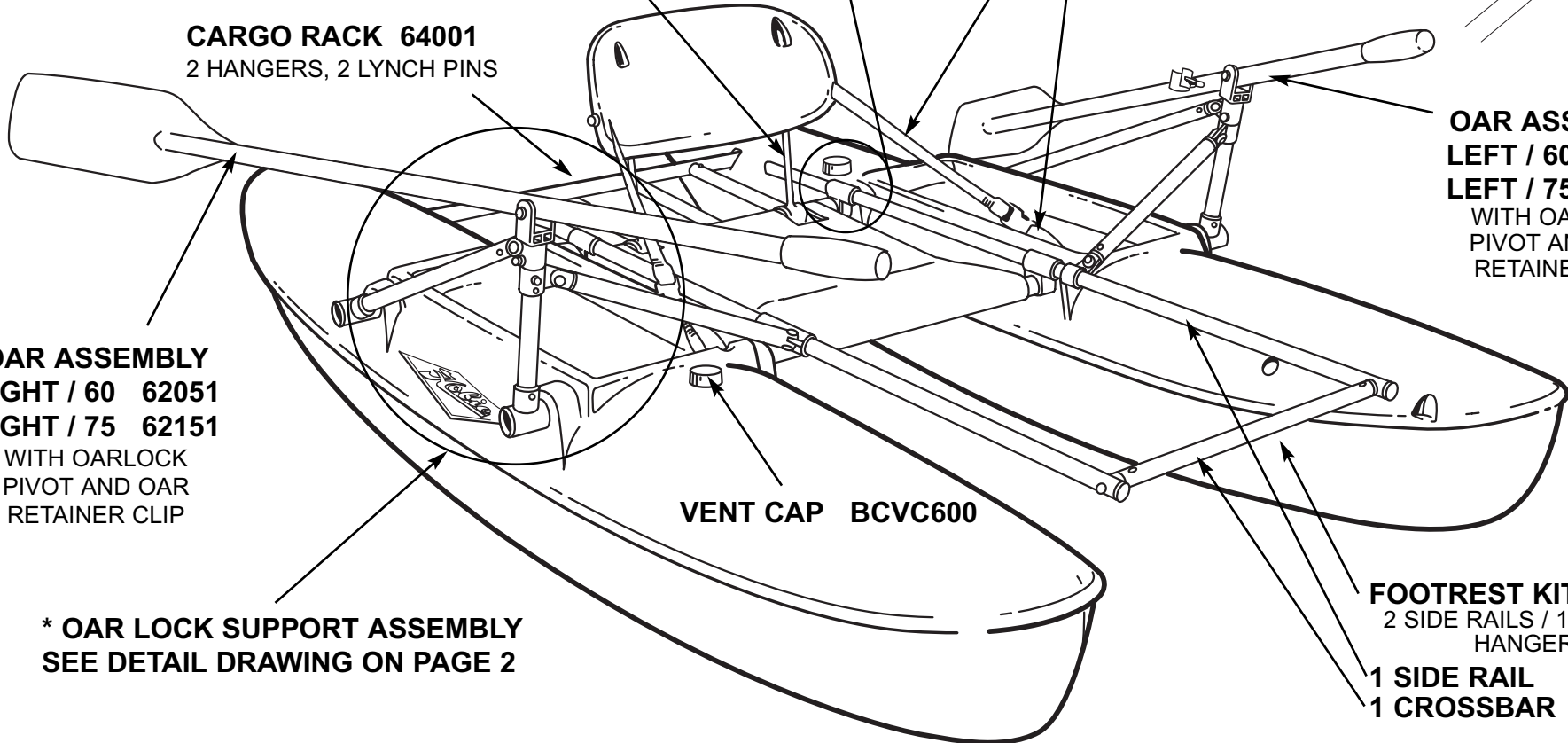
OAR ASSEMBLY
LEFT / 60 62041
LEFT / 75 62141
 WITH OARLOCK
 PIVOT AND OAR
 RETAINER CLIP

OAR ASSEMBLY
RIGHT / 60 62051
RIGHT / 75 62151
 WITH OARLOCK
 PIVOT AND OAR
 RETAINER CLIP

VENT CAP BCVC600

FOOTREST KIT A0950
 2 SIDE RAILS / 1 CROSSBAR /
 HANGER PKG
1 SIDE RAIL 63021
1 CROSSBAR 63011

*** OAR LOCK SUPPORT ASSEMBLY**
SEE DETAIL DRAWING ON PAGE 2

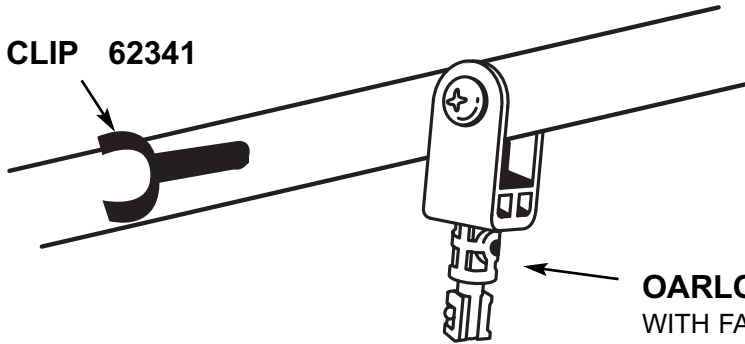




FLOAT CAT PARTS DIAGRAM - PAGE TWO

Updated 5/14/97

OAR RETENTION CLIP 62341
WITH FASTENERS



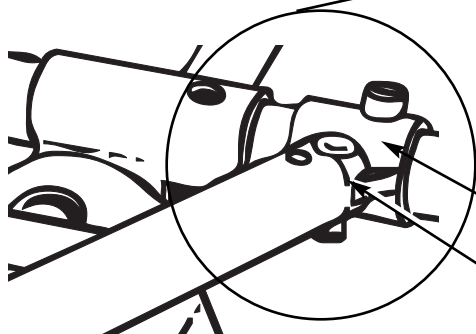
OARLOCK PIVOT 62351
WITH FASTENERS

SLIDE CONNECTOR WITH SCREW

62361

OAR LOCK SUPPORT - LONG
RIGHT 62321
LEFT 62301

OAR LOCK SUPPORT - SHORT
RIGHT 62331
LEFT 62311



SLIDE CONNECTOR IMOL601

ANGLE CONNECTOR IMOL602

60 ROWING SYSTEM ADAPTER KIT 62021
75 ROWING SYSTEM ADAPTER KIT 62121

INCLUDES ASSEMBLED
2 STRUTS
4 ANGLE CONNECTORS
4 SLIDE CONNECTOR
SCREWS, NUTS, RIVETS

OAR LOCK SUPPORT STRUT WITH FASTENERS

FC60	RIGHT	LEFT
	62031	62011

FC75	RIGHT	LEFT
	62131	62111

ROWING SYSTEM - COMPLETE

INCLUDES OARS, OAR LOCK SUPPORT, FOOTREST AND HANGER PACKAGE

FC60 62001
FC75 62101

HOBIE OUTBACK
4925 OCEANSIDE BLVD.
OCEANSIDE, CA. 92056
Phone (760) 758-9100 ext. 650 or 400
Fax (760) 758-1841
www.hobiecat.com email: hobieboats@aol.com