

Holmes®

Accutemp™ Ceramic Heater

HCH4920

Owner's Guide



PLEASE READ AND SAVE THESE IMPORTANT INSTRUCTIONS

PLEASE READ AND SAVE THESE IMPORTANT SAFETY INSTRUCTIONS

When using electrical appliances, basic safety precautions should always be followed to reduce the risk of fire, electric shock, and injury to persons, including the following:

1. Read all instructions before using the appliance.
2. To avoid fire or shock hazard, plug the appliance directly into a 120V AC electrical outlet.
3. The heater is hot when in use. To avoid burns, DO NOT let bare skin touch hot surfaces. If provided, use handles when moving this heater. Keep combustible materials, such as furniture, pillows, bedding, papers, clothes, and curtains at least 3 ft (0.9 m) from the front of the heater and keep them away from the sides and rear.
4. DO NOT run cord under carpeting. DO NOT cover cord with throw rugs, runners, or the like. Arrange cord away from traffic area and where it will not be tripped over.
5. This heater is not intended for use in bathrooms, laundry areas and similar indoor location. NEVER locate heater where it may fall into a bathtub or other water container.
6. Extreme caution is necessary when any heater is used by, or near children or invalids, and whenever the heater is left operating and unattended.
7. Always unplug the heater when not in use.
8. When unplugging, be sure to pull by the plug and not the cord.
9. DO NOT insert or allow foreign objects to enter any ventilation or exhaust opening as this may cause an electric shock or fire, or damage the heater.
10. DO NOT operate heater with a damaged cord or plug, or after the heater malfunctions, has been dropped or damaged in any manner. Return appliance to manufacturer for examination, electrical or mechanical adjustment, or repair.
11. A heater has hot and arcing or sparking parts inside. DO NOT use it in areas where gasoline, paint, or flammable liquids are used or stored.
12. Use appliance only for intended household use as described in this manual. Any other use not recommended by the manufacturer may cause fire, electric shock, or injury to persons. The use of attachments not recommended or sold by The Holmes Group may cause hazards.
13. DO NOT use outdoors.

14. To prevent a possible fire, DO NOT block air intakes or exhaust in any manner. DO NOT use on soft surfaces, like a bed, where openings may become blocked.
15. To disconnect heater, turn controls to OFF, then remove plug from outlet.
16. Avoid the use of an extension cord because the extension cord may overheat and cause a risk of fire. However, if you have to use an extension cord, the cord shall be No. 14 AWG minimum size and rated not less than 1875 watts.
17. If the heater will not operate, see specific instructions on Auto Safety Shut-off.
18. DO NOT attempt to repair or adjust any electrical or mechanical functions on this unit. Doing so will void your warranty. The inside of the unit contains no user serviceable parts. All servicing should be performed by qualified personnel only.

PLEASE READ AND SAVE THESE IMPORTANT SAFETY INSTRUCTIONS

AUTO SAFETY SHUT-OFF WITH CERAMIC CONTROL

This heater is equipped with a patented, technologically-advanced safety system that requires the user to reset the heater if there is a potential overheat situation. When a potential overheat temperature is reached, the system will automatically shut the heater off. It can only resume operation when the user resets the unit.

To Reset the Heater:

1. Turn MODE to OFF and slide switch to manual.
2. Unplug unit, wait 10 minutes.
3. Plug in and turn ON.

PRE-OPERATING INSTRUCTIONS

1. Carefully remove your heater from the box. (please save the carton for off-season storage).
2. Make sure the unit is in the OFF position before plugging the heater into the outlet.
3. Place heater on firm level surface.
4. Avoid overloading your circuit by not using other high wattage appliances in the same outlet. At 1500 watts, this unit draws 12.5 Amps.



THIS PRODUCT IS EQUIPPED WITH A POLARIZED AC (Alternating Current) PLUG (a plug having one blade wider than the other). This plug will fit into the power outlet only one way. If the plug does not fit fully into the outlet, reverse the plug. If it still does not fit, contact qualified personnel to install the proper outlet.

DO NOT DEFEAT THE SAFETY PURPOSE OF THIS POLARIZED PLUG IN ANY WAY.

ACCUTEMP™ DIGITAL THERMOSTAT

Your heater is equipped with an AccuTemp™ Digital Thermostat that allows you to set your heater to your precise comfort level.

Setting the AccuTemp™ thermostat:

1. Make sure the Manual/AccuTemp™ switch is set to AccuTemp™. The LCD display will read 75°.
2. Turn the mode control to LO(Low) or HI(High).
3. Push the temperature set button until the display reads your desired temperature.
To increase the temperature push the top button, for lower temperatures push the lower button. When finished setting the temperature, release the button and the display will flash to indicate the thermostat will be set to that temperature.
4. The display will return to existing room temperature and gradually increase until the room has reached your pre-set temperature.
5. If the unit will not start in the AccuTemp™ mode, please make sure the "set temperature" is higher than the current room temperature.

NOTE: It is normal for the heater to cycle ON and OFF as it maintains the preset temperature. To prevent the unit from cycling, you need to raise the thermostat setting. When the preset temperature is made, the fan will run for 30 seconds without heat. This cool down process ensures an accurate and consistent temperature reading. If you unplug the heater, you will have to reset the AccuTemp™ thermostat again by following the above instructions.

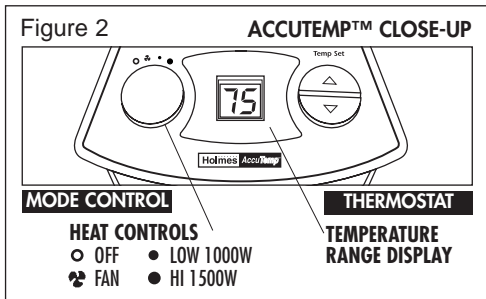
Manual Operation:

1. If you want the heater to run continuously, turn the Manual/AccuTemp™ switch to Manual and adjust the mode control to LO(Low) or HI(High).

SETTING THE THERMOSTAT

1. You need to set thermostat on HI(High) to start heater (See fig.#1 and #2). Allow heater to operate and warm up the room.
2. When the desired temperature/comfort level is reached, lower the thermostat setting until the fan/heater stops operating.
3. The control will now automatically maintain the pre-set temperature level by turning the heater ON and OFF.

Note: It is normal for the heater to cycle ON and OFF as it maintains the preset temperature. To prevent the unit from cycling, you need to raise the thermostat setting.



CLEANING/MAINTENANCE

During Season Care:

Always unplug the heater, before moving or cleaning.

1. Carefully wipe the unit with a soft, damp cloth. Please be very cautious near the motor and heating elements.
2. After cleaning, be sure to completely dry the unit with a cloth or towel.

After Season Care:

1. Store heater in a cool, dry location.
2. Holmes® recommends that you store the unit in its original carton.

TROUBLESHOOTING

If your heater fails to operate:

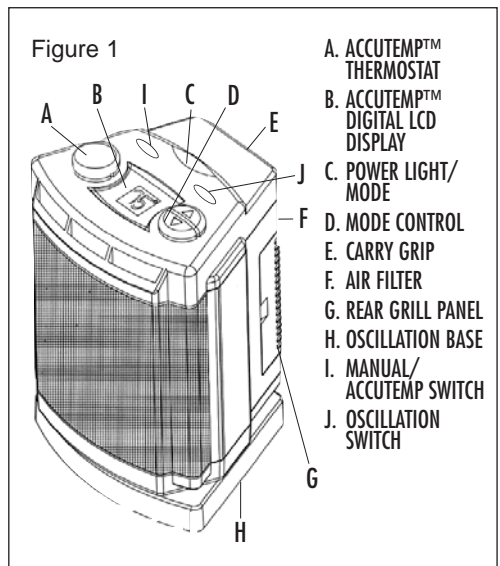
- Make sure the electrical outlet or circuit breaker is working.
- Check for obstructions. If you find an obstruction turn the heater OFF, and unplug the unit. Carefully remove the obstruction and follow the reset instructions.
- The thermostat might be set too low. Adjust the thermostat until the heater restarts.
- Make sure selector is in LO(LOW) or HI(HIGH) setting.

If your heater fails to oscillate:

- Make sure the oscillation switch is in the full-circle position.

Please **DO NOT** attempt to open or repair the heater.

Please see the **Warranty** for Service Instructions.



SERVICE INSTRUCTIONS

1. Do NOT attempt to repair or adjust any electrical or mechanical functions on this unit. Doing so will void the warranty.
2. If you need to exchange the unit, please return it in its original carton, with a sales receipt, to the store you purchased it. If you are returning the unit more than 30 days after the date of purchase, please see the enclosed warranty.
3. If you have any other questions or comments, feel free to write us:

Consumer Service Department
The Holmes Group, Inc.
P.O. Box 769, Milford, MA 01757-0769

For your own records, staple or attach your sales receipt to this manual. Also, please take a moment to write the store name/location and date purchased below.

STORE NAME :

LOCATION :

DATE PURCHASED :

(STAPLE RECEIPT HERE)

FIVE (5) YEAR LIMITED WARRANTY

SAVE THIS WARRANTY INFORMATION

- A. The quality controls used in the manufacture of this Holmes product are to ensure your satisfaction.
- B. This Warranty applies only to the original purchaser of this product.
- C. This Warranty applies ONLY to repair or replacement of any supplied or manufactured parts of this product that, upon inspection by Holmes authorized personnel, proves to have failed in normal use due to defects in material or workmanship. Holmes will determine whether to repair or replace the unit. This Warranty does not apply to installation expenses.
- D. Operating this unit under conditions other than those recommended or at voltages other than the voltage indicated on the unit, or attempting to service or modify the unit, will render this WARRANTY VOID.
- E. Unless otherwise proscribed by law, Holmes shall not be liable for any personal injury, property or any incidental or consequential damages of any kind (including water damage) resulting from malfunctions, defects, misuse, improper installation or alteration of this product.
- F. All parts of this Holmes product are guaranteed for a period of 5 years as follows:
 1. Within the first 30 days from date of purchase, the store from which you purchased your Holmes product should replace this product if it is defective in material or workmanship (provided the store has in-stock replacement.)
 2. Within the first sixty months from date of purchase, subject to the conditions in paragraph H, Holmes will repair or replace the product if it is defective in material or workmanship providing it is returned to Holmes, freight prepaid, with PROOF OF PURCHASE date, together with \$8.00 for handling and return packing/shipping charges.
- G. If you have any problem with this product, please write our Customer Service Dept.
- H. IMPORTANT Return INSTRUCTIONS Your warranty depends on your following these instructions if you are returning the unit more than 30 days after the date of purchase:
 1. Carefully pack the item in its original carton or other suitable box to avoid damage in shipping.
 2. Before packing your unit for return; be sure to enclose:
 - a) your name, full address with zip code and telephone number,
 - b) a dated sales receipt or PROOF OF PURCHASE,
 - c) your \$8.00 check for return packaging, and
 - d) The model number of the unit and the problem you are having. (Enclose in an envelope and tape directly to the unit before the box is sealed.)
 3. Holmes recommends you insure the package (as damage in shipment is not covered by your warranty).
 4. All shipping charges must be prepaid by you (as noted in paragraph F).
 5. Mark the outside of your package: CONSUMER RETURNS DEPARTMENT
The Holmes Group, Inc.
2 PULLMAN ST.
WORCESTER, MA 01606

SHIPPING AND HANDLING CHARGES: \$8.00

This warranty gives you specific legal rights, and you may have other rights which vary from state to state. The provisions of this warranty are in addition to, and not a modification of, or subtraction from, the statutory warranties and other rights and remedies contained in any applicable legislation. To the extent that any provision of this warranty is inconsistent with any applicable law, such provision shall be deemed voided or amended, as necessary, to comply with such law.