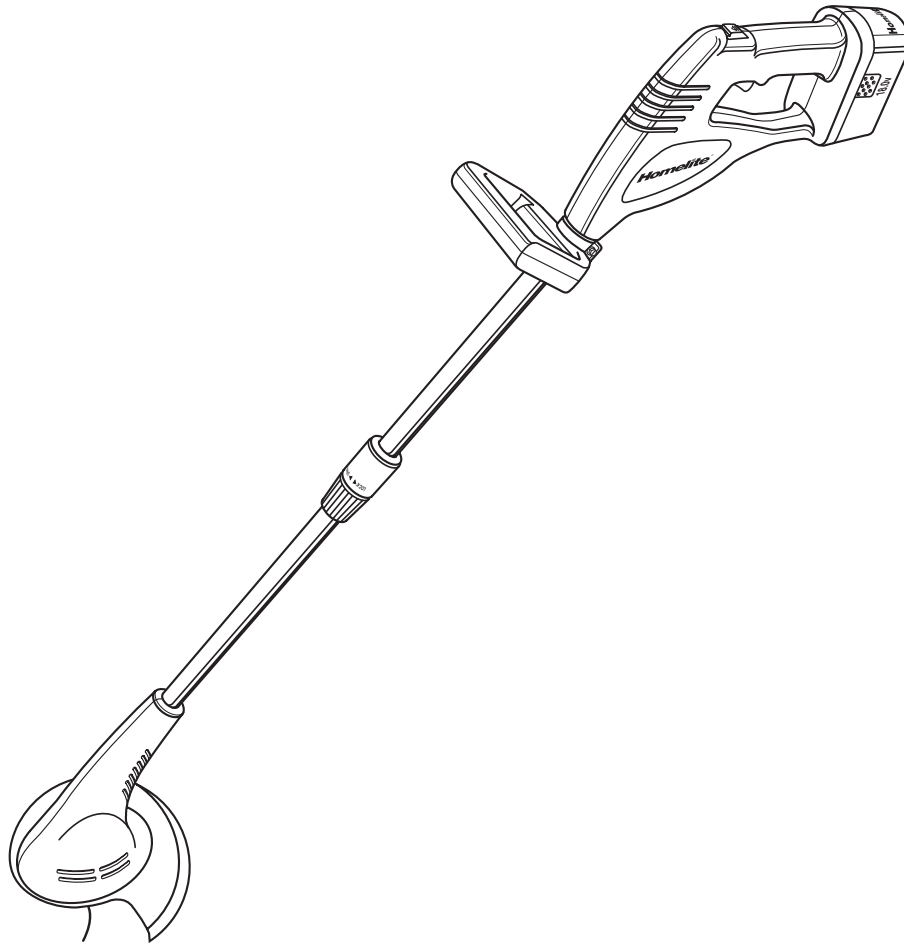


# Homelite®

## OPERATOR'S MANUAL 18V CORDLESS STRING TRIMMER MODEL NO. UT31810



### THANK YOU FOR BUYING A HOMELITE CORDLESS STRING TRIMMER

Your new cordless string trimmer has been engineered and manufactured to Homelite's high standard for dependability, ease of operation, and operator safety. Properly cared for, it will give you years of rugged, trouble-free performance.



**CAUTION:** Carefully read through this entire operator's manual before using your new cordless string trimmer.

Pay close attention to the Rules for Safe Operation, Warnings, and Cautions. If you use your string trimmer properly and only for what it is intended, you will enjoy years of safe, reliable service. Thank you again for buying Homelite products.

---

**SAVE THIS MANUAL FOR FUTURE REFERENCE**

---

# TABLE OF CONTENTS

Rules for Safe Operation .....	2 - 5
Safety Symbols .....	6
Features .....	7
Assembly .....	8
Operation .....	9 - 12
Maintenance and Repair .....	13 - 15
Troubleshooting .....	16
Product Specifications .....	16
Warranty .....	17

## RULES FOR SAFE OPERATION

The purpose of safety symbols is to attract your attention to possible dangers. The safety symbols, and the explanations with them, deserve your careful attention and understanding. The safety warnings do not by themselves eliminate any danger. The instructions or warnings they give are not substitutes for proper accident prevention measures.

### SYMBOL MEANING



#### **SAFETY ALERT SYMBOL:**

Indicates danger, warning, or caution. May be used in conjunction with other symbols or pictographs.



**DANGER:** Failure to obey Rules for Safe Operation will result in injury to yourself and others. Always follow the safety precautions to reduce the risk of fire, electric shock, and personal injury.



**WARNING:** Failure to obey Rules for Safe Operation can result in injury to yourself and others. Always follow the safety precautions to reduce the risk of fire, electric shock, and personal injury.



**CAUTION:** Failure to obey Rules for Safe Operation may result in property damage or personal injury to yourself or to others. Always follow the safety precautions to reduce the risk of fire, electric shock, and personal injury.



**Look for this symbol to point out important safety precautions. It means attention!!! Your safety is involved.**



#### **WARNING:**

Failure to obey Rules for Safe Operation can result in injury to yourself and others. Always follow the safety precautions to reduce the risk of fire, electric shock, and personal injury.



#### **WARNING:**

When using battery powered string trimmers, basic safety precautions should always be followed to reduce the risk of fire, electric shock, and personal injury. Carefully read and understand the entire Operator's Manual before using your string trimmer. Pay close attention to the Operating Instructions and Rules for Safe Operation.

# RULES FOR SAFE OPERATION

## READ ALL INSTRUCTIONS BEFORE OPERATING

- Read the instructions carefully. Be familiar with the controls and proper use of the unit.
- Do not operate this unit when tired, ill, or under the influence of alcohol, drugs, or medication.
- Inspect the unit before use. Replace damaged parts. Check for battery pack leaks. Make sure all fasteners are in place and secure. Replace string head or any other parts that are cracked, chipped, or damaged. Make sure the string head is properly installed and securely fastened. Be sure the grass shield is properly attached, and positioned as recommended. Failure to do so can result in personal injury to the operator and bystanders, as well as damage to the unit.
- Use the right tool. Only use this string trimmer for the purpose intended.
- Do not use string trimmer if switch will not turn the unit on or off. A unit that cannot be controlled with the switch is dangerous and must be repaired.
- Clear the area to be cut before each use. Remove all objects such as rocks, broken glass, nails, wire, or string which can be thrown or become entangled in the string head.
- Clear the area of children, bystanders, and pets. At a minimum, keep all children, bystanders and pets outside a 50 feet (15 m) radius; there still may be a risk to bystanders from thrown objects. Bystanders should be encouraged to wear eye protection. If you are approached, stop the motor and make sure the string head stops immediately.
- To avoid the risk of electric shock, do not operate unit in damp or wet locations.
- Do not handle the unit with wet hands.
- Use only 0.065 in (1.65 mm) diameter genuine Homelite replacement line. Never use metal-reinforced line, wire, or rope, etc. These can break off and become a dangerous projectile. Do not use any other attachment on this unit.
- Do not allow children under the age of 15 or untrained individuals to use this string trimmer.
- To reduce the risk of injury, always wear full eye protection when using this string trimmer.

- Wear a face or dust mask if the operation is dusty.
- Dress properly. Do not wear loose clothing or jewelry; they can be caught in moving parts. Use of rubber gloves and substantial footwear is recommended when working outdoors.
- To prevent hair from being drawn into nearby air vents and becoming entangled in moving parts, wear protective hair covering to contain long hair or secure covered hair above shoulder level.
- Do not use electric or battery operated units in rain or damp weather.

## WHILE OPERATING

- Do not use trimmer without front handle in place. Keep both hands on handles when unit is in use.
- To avoid accidental starting, never carry your unit with your finger on the trigger.
- Wear safety glasses or goggles that are marked to comply with ANSI Z87.1-1989 standards when operating this unit.
- Stay alert and pay attention to what you are doing. Use common sense when using this string trimmer.
- Wear heavy, long pants, substantial footwear and well fitting gloves. Do not wear short pants, sandals or go barefoot.
- Do not operate in poor lighting. Use the unit only in daylight or good artificial light.
- Do not overreach or stand on unstable support. Keep good footing and balance at all times. Do not use on ladder.
- Do not force the trimmer. It will do the job better and with less likelihood of a risk of injury at the rate for which it was designed.
- Always hold the unit with both hands when operating. Keep a firm grip on both the rear handle and the front handle.
- Release the trigger, allow the motor to stop, and remove the battery pack before performing maintenance, repair or making adjustments.
- This cordless string trimmer is intended only for cutting grass, light weeds and for decorative trimming. Do not use this string trimmer as an edger.

# RULES FOR SAFE OPERATION

- Before starting the unit, make sure the string head will not come in contact with anything.
- If you strike or become entangled with foreign objects, stop the unit immediately, remove the battery pack and check for damage. Do not operate before repairing damage. Do not operate the unit with loose or damaged parts.
- Keep all body parts away from string head and other moving parts. Do not touch or try to stop the string head when it is rotating.
- Keep string head below waist level.
- Always stop the motor when cutting is delayed or when walking from one cutting location to another.
- The grass shield must always be in place while operating the unit. Do not operate unit without the cutting line extended, and the proper line installed. Do not extend the cutting line beyond the length of the shield.
- Keep unit clean of grass clippings and other materials. They may become lodged between the string head and shield.
- Store the unit inside in a dry place, either locked up or up high to prevent unauthorized use or damage. Keep out of the reach of children or untrained individuals.
- Never douse or squirt the unit with water or any other liquid. Keep handles dry, clean and free from debris. Clean after each use, see Cleaning and Storage instructions.
- Be sure to secure the unit while transporting.
- Keep these instructions. Refer to them often and use them to instruct other users. If you loan someone this unit, also loan them these instructions.

## SERVICE

- Service on unit must be performed only by qualified repair personnel. Service or maintenance performed by unqualified personnel could result in a risk of injury to the user, or damage to the unit. It may also void your warranty.
- When servicing a unit, use only identical replacement parts. Follow instruction in the Maintenance section of this manual. Use of unauthorized parts or failure to follow Maintenance Instructions may create a risk of shock or serious injury to the user, or damage to the unit. It may also void your warranty.

## BATTERY SAFETY

- Battery operated units do not have to be plugged into an electrical outlet; therefore, they are always in operating condition. Be aware of possible hazards even when unit is not operating.
- Remove the battery pack before making any adjustments, cleaning, storing, or removing material from the unit, or when not in use.
- A battery pack must be recharged only with the specified charger for the battery pack. A charger that may be suitable for one type of battery pack may create a risk of fire when used with another battery pack. Use battery pack only with charger listed.

**BATTERY PACK: 1323701**

**CHARGER: 1425701**

- To reduce the risk of explosion and possible injury, DO NOT place battery units or their batteries near fire or heat.
- Do not open or mutilate the battery pack. Released electrolyte is corrosive and may cause damage to the eyes or skin. It may be toxic if swallowed.
- A damaged battery pack is subject to explosion. To avoid serious personal injury, properly dispose of a damaged battery pack.
- Batteries vent hydrogen gas and can explode in the presence of a source of ignition, such as a pilot light. To reduce the risk of serious personal injury, never use any cordless product in the presence of open flame. An exploded battery pack can propel debris and chemicals. If exposed, flush with water immediately.
- Do not charge unit in a damp or wet location. Following this rule will reduce the risk of electric shock.
- For best results, your battery unit should be charged in a location where the temperature is more than 50°F (10°C) but less than 100°F (38°C). Do not store outside or in vehicles.
- Under extreme usage or temperature conditions, battery pack leakage may occur. If liquid comes in contact with your skin, wash immediately with soap and water, then neutralize with lemon juice or vinegar. If liquid gets into your eyes, flush them with clean water for at least 10 minutes, then seek immediate medical attention.

## RULES FOR SAFE OPERATION

- Do not dispose of batteries in a fire. The cell may explode. Batteries should be recycled, consult your local waste authority for information regarding available recycling and/or disposal options.
- When battery pack is not in use, keep it away from other metal objects like: paper clips, coins, keys, nails, screws, or other small metal objects that can make a connection from one terminal to another. Shorting the battery pack terminals together may cause sparks, burns, or a fire.

### CHARGER SAFETY

- Save these instructions. This manual contains important Rules for Safe Operation and operating instructions for charger.
- Before using battery charger, read all instructions and cautionary markings in this manual, on battery charger, and product using battery charger.
- To reduce risk of injury, charge only nickel-cadmium type rechargeable batteries. Other types of batteries may burst, causing personal injury and damage.
- Do not expose charger to wet or damp conditions.
- Use of an attachment not recommended or sold by the battery charger manufacturer may result in a risk of fire, electric shock, or injury to persons.
- To reduce risk of damage to charger body and cord, pull by charger plug rather than cord when disconnecting charger.
- Make sure cord is located so that it will not be stepped on, tripped over, or otherwise subjected to damage or stress.
- An extension cord should not be used unless absolutely necessary. Use of improper extension cord could result in a risk of fire and electric shock. If extension cord must be used, make sure:
  - a. That pins on plug of extension cord are the same number, size and shape as those of plug on charger.
  - b. That extension cord is properly wired and in good electrical condition; and
  - c. That wire size is large enough for AC ampere rating of charger as specified below:

Cord Length (Feet)	25'	50'	100'
Cord Size (AWG)	16	16	16

**NOTE:** AWG = American Wire Gage

- Do not operate charger with a damaged cord or plug. If damaged, have replaced immediately by a qualified serviceman.
- Do not operate charger if it has received a sharp blow, been dropped, or otherwise damaged in any way; take it to a qualified serviceman.
- Do not disassemble charger; take it to a qualified serviceman when service or repair is required. Incorrect reassembly may result in a risk of electric shock or fire.
- To reduce risk of electric shock, unplug the charger from outlet before attempting any maintenance or cleaning. Turning off controls will not reduce this risk.
- Disconnect charger from power supply when not in use.
- Risk of electric shock. Do not touch uninsulated portion of output connector or uninsulated battery terminal.
- Save these instructions. Refer to them frequently and use them to instruct others who may use this unit. If you loan someone this unit, loan them these instructions also.

# SAFETY SYMBOLS

The purpose of safety symbols is to attract your attention to possible dangers. The safety symbols, and their explanations, deserve your careful attention and understanding. The safety warnings do not by themselves eliminate any danger. The instructions or warnings they give are not substitutes for proper accident prevention measures.

SYMBOL	MEANING
	<b>SAFETY ALERT SYMBOL</b> Indicates danger, warning, or caution. Attention is required in order to avoid serious personal injury. May be used in conjunction with other symbols or pictographs.
	<b>WARNING: READ OPERATOR'S MANUAL</b> Failure to follow operating instructions and rules for safe operation in the operator's manual can result in serious injury. Read the operator's manual before starting or operating this unit.
	<b>FOR SERVICE INFORMATION, CALL:</b> 1-800-chainsaw (1-800-242-4672)
	<b>WEAR EYE PROTECTION</b> <b>WARNING:</b> Thrown objects can cause severe eye injury. Wear eye protection marked to comply with ANSI Z87.1-1989 standards when operating this unit.
	<b>KEEP BYSTANDERS AWAY</b> <b>WARNING:</b> Keep all bystanders, especially children and pets, at least 50 feet (15 m.) from the operating area.
	<b>DANGER OF RICOCHET</b> <b>WARNING:</b> Do not operate without the grass shield in place. Keep away from the rotating string head.
	<b>SHARP BLADE</b> <b>WARNING:</b> Sharp blade on grass shield. To prevent serious injury, do not touch line cutting blade.
<b>NOTE:</b>	Advises you of information or instructions vital to the operation or maintenance of the equipment.

**SAVE THESE INSTRUCTIONS**

# FEATURES

## MODEL UT31810 - 18V CORDLESS STRING TRIMMER

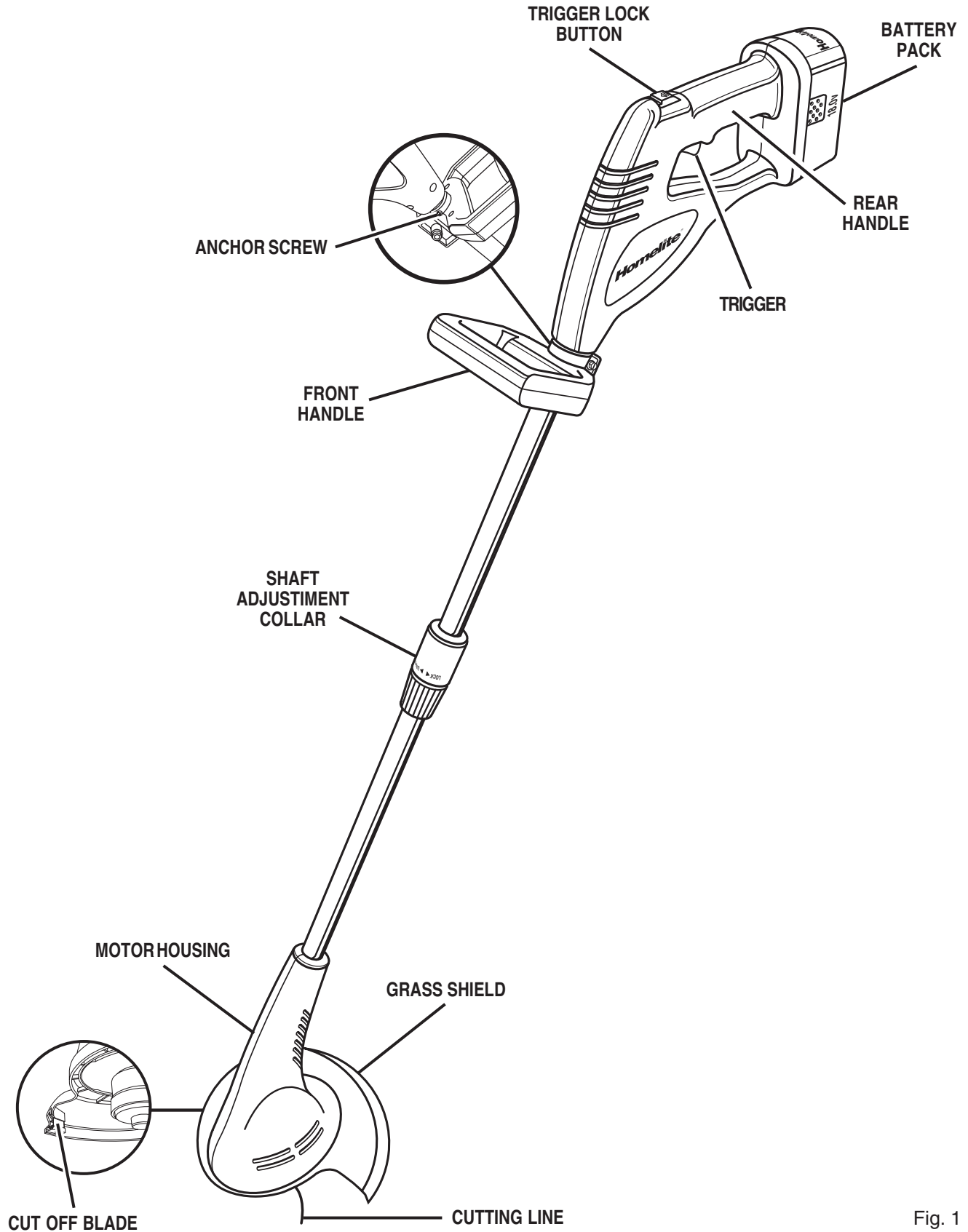


Fig. 1

# ASSEMBLY

## INSTALLING GRASS SHIELD

Remove both screws on the motor housing. Orient grass shield on the motor housing and twist to lock in place as shown. Re-install screws to secure grass shield in place. See Figure 2.

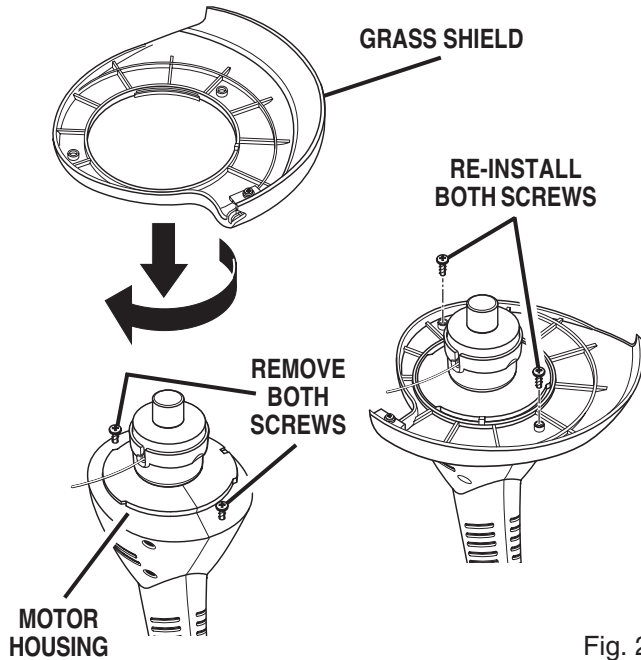


Fig. 2

- Lower shaft should now be free to slide down from inside the upper shaft. Make sure the shaft is pulled out to the desired position. See Figure 4.

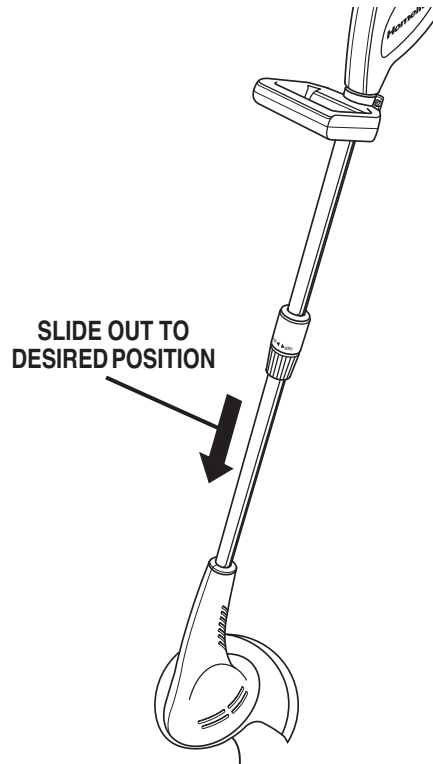


Fig. 4

## ADJUSTING THE SHAFT

- Rotate the lower portion of the shaft adjustment collar to the "Unlock" position. See Figure 3.

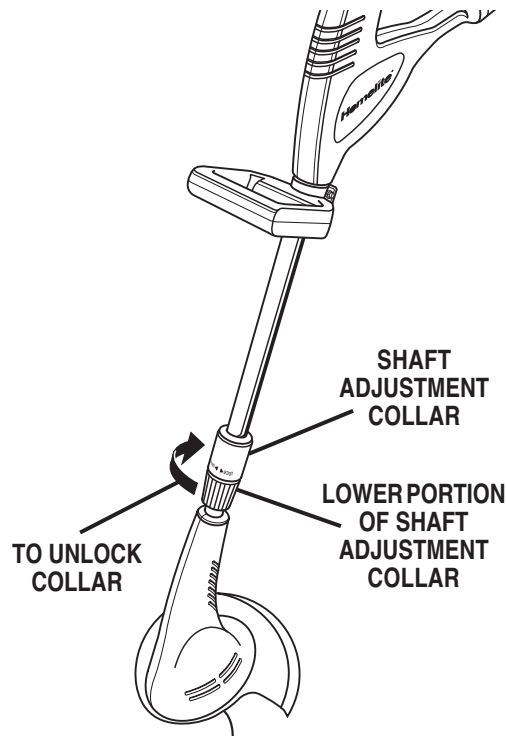


Fig. 3

- Rotate shaft adjustment collar to the "Lock" position and tighten securely. See Figure 5.

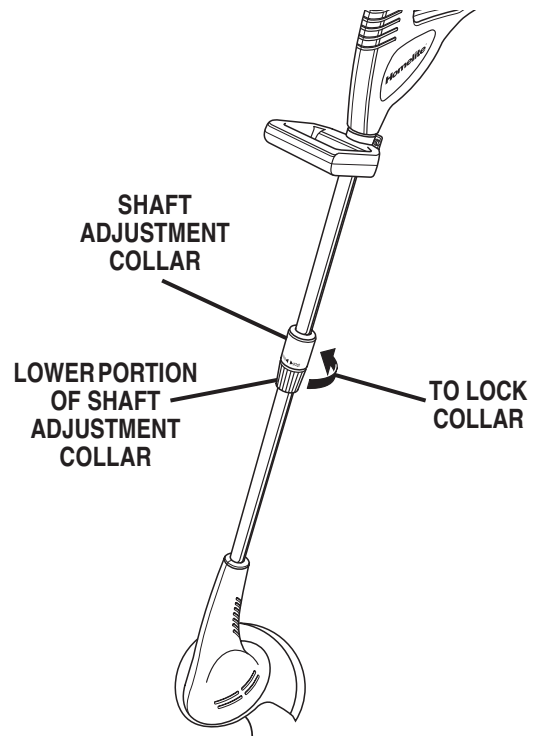


Fig. 5



# OPERATION

## **⚠ WARNING:**

If any parts are missing, do not operate unit until the missing parts are replaced. Failure to do so could result in possible serious personal injury.

## LED FUNCTIONS OF CHARGER

See Figure 6.

### LED WILL BE ON TO INDICATE STATUS OF CHARGER AND BATTERY PACK:

- Red LED on = Fast charging mode.
- Green LED on = Fully charged battery pack.
- Yellow and Green LEDs on = Control charge or defective battery pack.
- No LED on = Defective charger or battery pack.

## **⚠ CAUTION:**

To prevent damage to battery pack, remove battery pack from charger immediately if no LED comes on. Return battery pack and charger to your nearest Homelite Authorized Service Center for checking or replacing. Also, if you are removing battery pack from charger and no LEDs are on, return both battery pack and charger to your nearest Homelite Authorized Service Center. Do not insert another battery pack into charger. A damaged charger may damage a battery pack.

## CHARGING YOUR BATTERY PACK

The battery pack for this unit has been shipped in a low charge condition to prevent possible problems. Therefore, you should charge it prior to use.

**NOTE:** Batteries will not reach full charge the first time they are charged. Allow several cycles (trimming followed by recharging) for them to fully charge.

### TO CHARGE

- Charge battery pack only with the charger provided.
- **Make sure power supply is normal household voltage, 120 volts, 60 Hz, AC only.**
- Connect charger to power supply.
- Place battery pack in charger. See Figure 6. Align raised rib on battery pack with groove in charger.
- When charger is properly connected, red light will turn on. Press down on battery pack to be sure contacts on battery pack engage properly with contacts in charger.

- Normally, the yellow and green lights on the charger will come on. This indicates charger is in control charge mode and should switch to fast charge mode within 5 minutes. When charger is in fast charge mode the yellow and green lights will go off and the red light will come on. If after a period of 15 minutes the yellow and green lights remain on, remove the battery pack, wait 1 minute and reinsert battery pack in charger. If the yellow and green lights continue to remain on an additional 15 minutes, the battery pack is damaged and will not accept charge.
- When your battery pack becomes fully charged, the red light will turn off and the green light will turn on.
- After normal usage, 1 hour of charge time is required to be fully charged. A minimum charge time of 1 to 1-1/2 hours is required to recharge a completely discharged battery pack.
- The battery pack will become slightly warm to the touch while charging. This is normal and does not indicate a problem.
- **DO NOT** place charger in an area of extreme heat or cold. It will work best at normal room temperature.

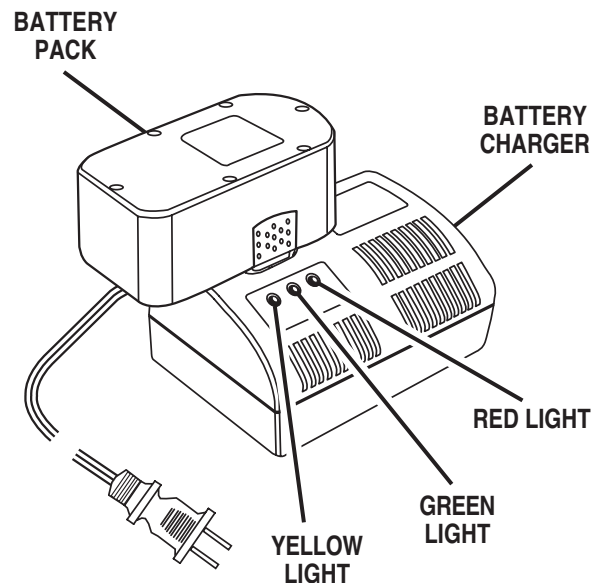


Fig. 6

# OPERATION

## IMPORTANT INFORMATION FOR RECHARGING HOT BATTERY PACK

When using your string trimmer continuously, the batteries in your battery pack will become hot. You should let a hot battery pack cool down for approximately 30 minutes before attempting to recharge.

**NOTE:** This situation only occurs when continuous use of your string trimmer causes the batteries to become hot. It does not occur under normal circumstances. Refer to “**CHARGING BATTERY PACK**” for normal recharging of batteries. If the charger does not charge your battery pack under normal circumstances, return both the battery pack and charger to your nearest Homelite Authorized Service Center for electrical check.

## IMPORTANT INFORMATION FOR RECHARGING COOL BATTERY PACK

If battery pack is below normal temperature range, the green LED on charger will come on. Allow battery pack to reach normal temperature, then the red LED will come on.

**NOTE:** Refer to “**CHARGING BATTERY PACK**” for normal recharging of batteries. If the charger does not charge your battery pack under normal circumstances, return **both** the battery pack and charger to your nearest Homelite Authorized Service Center for electrical check.

## TO INSTALL BATTERY PACK

- Place the battery pack in the string trimmer. Align raised rib on battery pack with groove in string trimmer's battery port. *See Figure 7.*
- Make sure the latches on each side of the battery pack snap in place and that battery pack is secured in string trimmer before beginning operation.

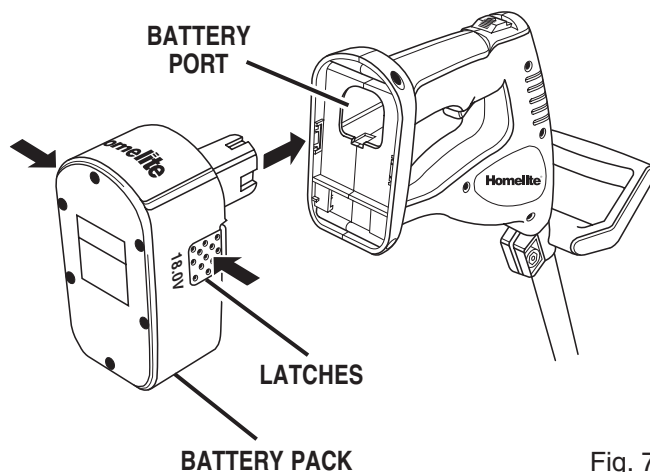


Fig. 7

## TO REMOVE BATTERY PACK

- Locate latches on side of battery pack and depress both sides to release the battery pack from the string trimmer. *See Figure 7.*
- Remove battery pack from the string trimmer.

### **CAUTION:**

When placing battery pack in your string trimmer, be sure raised rib on battery pack aligns with groove in string trimmer's battery port and latches snap in place properly. Improper assembly of battery pack can cause damage to internal components.

## STARTING THE STRING TRIMMER

- Press and hold the trigger lock button. *See Figure 8.* This makes the trigger operational.
- Release the trigger lock button and continue to squeeze the trigger for extended operation.

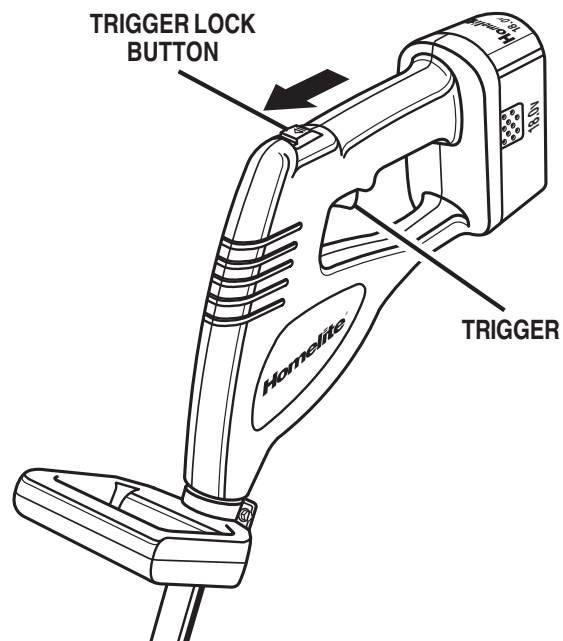


Fig. 8

## STOPPING THE STRING TRIMMER

- Release the trigger to stop the string trimmer.
- Upon release of the trigger, the trigger lock button will be automatically reset to the lock position.

# OPERATION

## HOLDING THE STRING TRIMMER

### **⚠ WARNING:**

Dress properly to reduce the risk of injury when operating this unit. Do not wear loose clothing or jewelry. Wear eye protection. Wear heavy, long pants, boots and well fitting gloves. Do not wear short pants, sandals or go barefoot.

- Hold the string trimmer as shown. *See Figure 9.* Right arm is slightly bent, the right hand holding the rear handle. Left arm is straight, the left hand holding the front handle. The unit should be slightly below waist level.
- The string head on your string trimmer should be parallel to the ground and should easily contact the material being cut without the operator having to bend over. A simple shaft adjustment accommodates most user's heights.

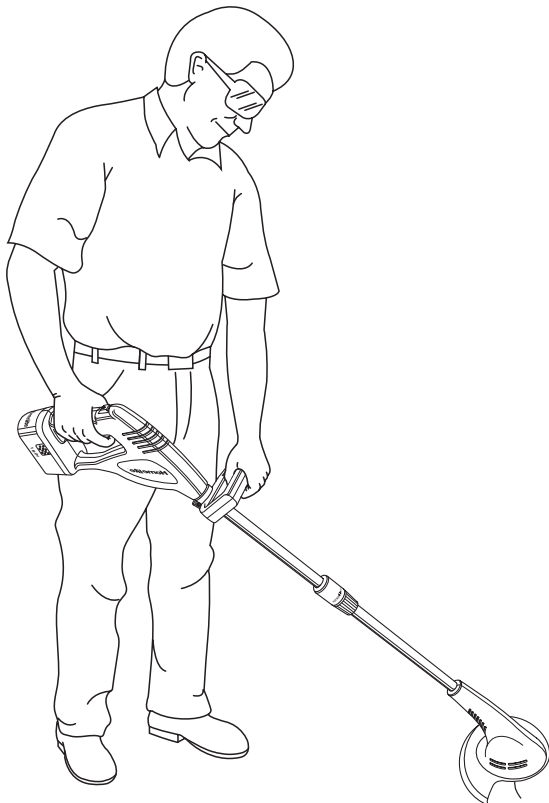


Fig. 9

## USING THE STRING TRIMMER ADVANCING LINE

Your string trimmer is equipped with a string head, which allows the operator to release more cutting line without stopping the motor. As the line becomes worn or frayed, additional line can be released by lightly tapping the string head on the ground while operating the string trimmer at full throttle. *See Figure 10.* For best results, tap the head on bare ground or hard soil. If line release is attempted in tall grass, the motor may overheat.

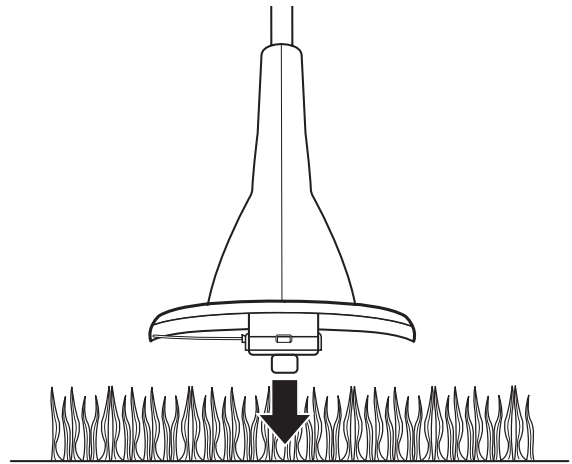


Fig. 10

Approximately 1 inch (25.4 mm) of cutting line is released each time the head is tapped on the ground.

Always keep the cutting line fully extended. If the string is worn too short you may not be able to advance the string by tapping the head on the ground. If this occurs, stop the motor, remove the spool as described in the following section, feed the cutting line through the opening in spool housing and reassemble the spool to the string head.

# OPERATION

## CUTTING LINE

This string trimmer is equipped with a string cut off blade on the grass shield. *See Figure 11.* For best cutting, advance line until it is trimmed to length by the string cut-off blade. Advance line whenever you hear the motor running faster than normal. This will maintain best performance and keep the cutting line long enough to advance properly.

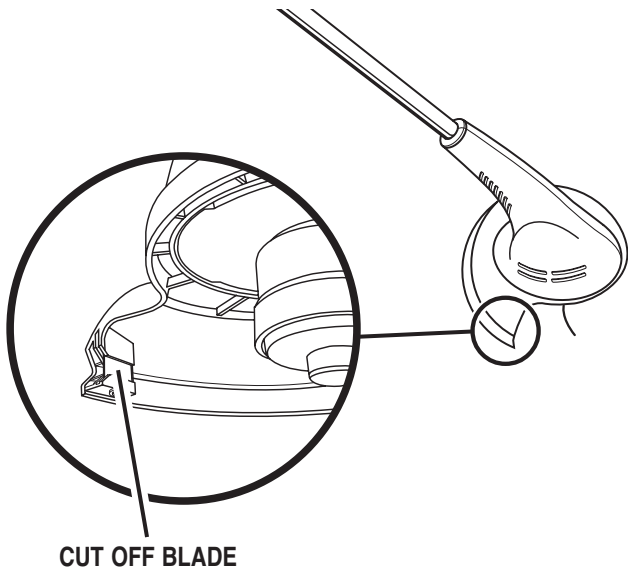


Fig. 11

- Wire and picket fences cause extra line wear, even breakage. Stone and brick walls, curbs, and wood may wear line rapidly. Walk around trees and shrubs. Tree bark, wood moldings, siding, and fence posts can easily be damaged by the line.
- Keep the string trimmer tilted toward the area being cut. To trim around trees, posts, fences, etc., keep the string trimmer at a 30-degree angle. *See Figure 12.*

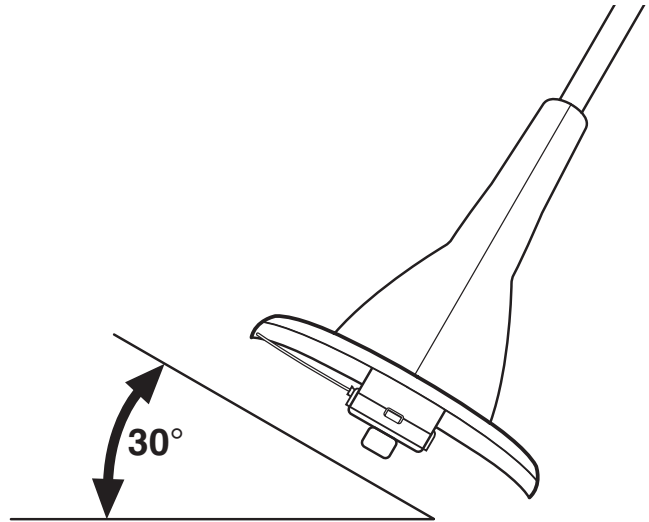


Fig. 12

## OPERATING TIPS

- Clear the area to be cut before each use. Remove all objects such as rocks, broken glass, nails, wire, or string which can be thrown or become entangled in the string head.
- Keep the string trimmer tilted toward the area being cut. Avoid digging into grass.
- Slowly move the string trimmer in and out of the area being cut.
- **Use the tip of line to do the cutting** - do not force string head into uncut grass.
- Cut tall grass from the top down. This will prevent grass from wrapping around the string head that may cause damage from overheating. If grass or other debris becomes wrapped around the string head, **STOP THE MOTOR** by releasing the trigger and allow the string head to stop spinning. Remove the battery pack and then remove the grass or debris.

### **⚠ WARNING:**

When servicing use only identical Homelite replacement parts. Use of any other parts can create a hazard or cause product damage.

Avoid using solvents when cleaning plastic parts. Most plastics are susceptible to damage from various types of commercial solvents and may be damaged by their use. Use a clean cloth to remove dirt, oil, grease, etc.

# MAINTENANCE AND REPAIR

## **CAUTION:**

Do not at any time let brake fluids, gasoline, petroleum based products, penetrating oils, etc., come in contact with plastic parts. They contain chemicals that may damage, weaken, or destroy plastics.

## CUTTING LINE REPLACEMENT

The cutting line may be replaced by either rewinding the existing spool or installing a convenient prewound spool.

### REWINDING THE EXISTING SPOOL

See Figure 13.

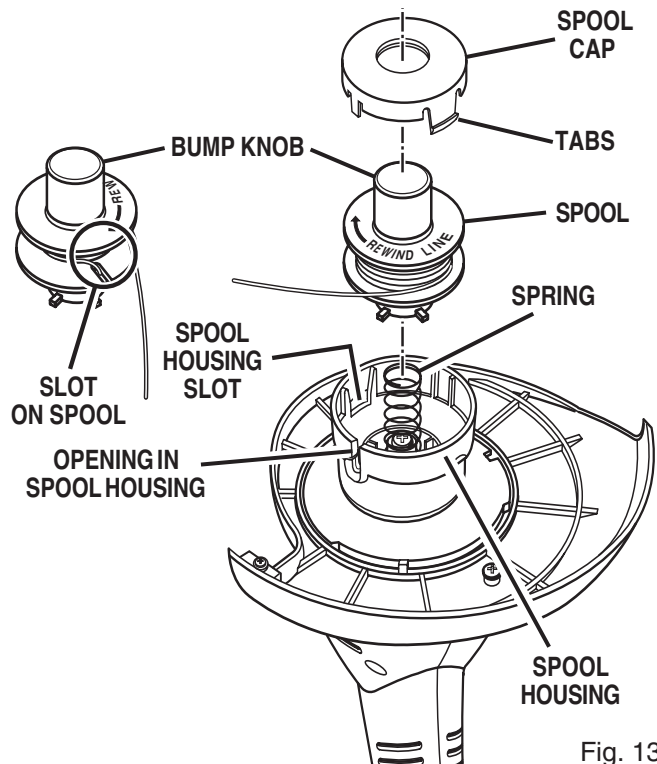
- Remove the battery pack from the string trimmer.
- Press in the tabs on each side of the spool cap.
- Remove the spool cap and spool. Discard any remaining line on the spool.

**NOTE:** If the spring falls off the spool housing during this procedure, reinstall the spring before installing the spool and spool cap.

- Inspect the string head for damaged or worn parts and clean thoroughly.
- Using approximately 10 feet (3 m) of new cutting line, insert one end of the line into the slot on the spool. Ensure the end of the line is pushed all the way towards the inner side of slot.
- **NOTE:** No more than 1/8 in. of the line is to protrude from the slot.
- Wind the line, in even and tight layers, onto the spool. Line should be wound in the direction of the arrow indicated on the spool.
- Unwind approximately 4 in. (102 mm) of the line from the spool. Hold the line and spool firmly to keep it from unwinding then place the spool cap onto the spool.
- Holding the spool cap and spool by the bump knob, place into the spool housing and insert cutting line into the opening in spool housing.

**NOTE:** Tabs on the spool cap should be aligned with the slots in the spool housing.

- While pressing in the tabs, push down the spool cap and spool to lock in place.
- Completely assembled string head should appear as shown. See Figure 14.



## **WARNING:**

Use only 0.065 in (1.65 mm) diameter genuine Homelite replacement line. Never use metal-reinforced line, wire, or rope, etc. These can break off and become a dangerous projectile. Do not use any other attachment on this unit.

# MAINTENANCE AND REPAIR

## INSTALLING A PREWOUND SPOOL

See Figure 13.

- Remove the battery pack from the string trimmer.
- Press in the tabs on each side of the spool cap.
- Remove the spool cap and spool.

**NOTE:** If the spring falls off the spool housing during this procedure, reinstall the spring before installing the spool and spool cap.

- Inspect the string head for damaged or worn parts and clean thoroughly.
- Unwind approximately 4 in. (102 mm) of the line from the prewound spool. Hold the line and spool firmly to keep it from unwinding then place the spool cap onto the spool.
- Holding the spool cap and spool by the bump knob, place into the spool housing and insert cutting line into the opening in spool housing.

**NOTE:** Tabs on the spool cap should be aligned with the slots in the spool housing.

- While pressing in the tabs, push down the spool cap and spool to lock in place.
- Completely assembled string head should appear as shown. See Figure 14.

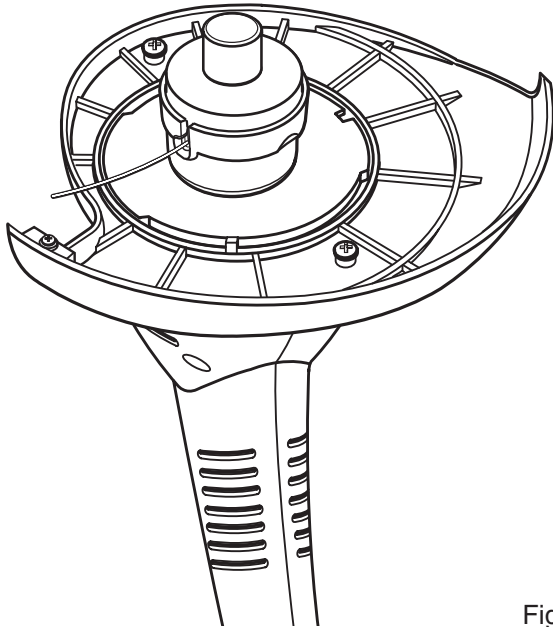


Fig. 14

## BATTERIES

Your battery pack is equipped with Nickel-Cadmium rechargeable batteries. Length of service from each charging will depend on the type of work you are doing. The batteries in this unit have been designed to provide maximum trouble-free life. However, like all batteries, they will eventually wear out. **DO NOT** disassemble battery pack and attempt to replace the batteries. Handling of these batteries, especially when wearing rings and jewelry, could result in serious burn. To obtain the longest possible battery pack life, we suggest the following:

- Store and charge your batteries in a cool area. Temperatures above or below normal room temperature will shorten battery pack life.
- Never store batteries in a discharged condition. Wait for battery pack to cool and charge immediately.
- All batteries gradually lose their charge. The higher the temperature, the quicker they lose their charge. If you store your unit for long periods of time without using it, recharge the batteries every month or two. This practice will prolong battery pack life.



### **WARNING:**

Do not attempt to disassemble the battery pack. Fire or injury can result.

## MAINTENANCE AND REPAIR

### **WARNING:**

Do not attempt to modify this unit or create or mount any accessory not specifically recommended in this manual for use with this string trimmer. Any such alteration or modification is misuse and could result in a hazardous condition leading to possible serious personal injury.

### **CAUTION:**

Any repairs requiring disassembly should only be performed by a **Homelite Authorized Service Center**. For the repair center nearest you, call **1-800-chainsaw (1-800-242-4672)**.

### DISPOSAL OF THE EXHAUSTED BATTERY PACK



To preserve natural resources, please recycle or dispose of properly. This product contains nickel-cadmium battery pack. Must be disposed of properly. Local, state, or federal laws may prohibit disposal of Nickel-Cadmium batteries in ordinary trash.

Consult your local waste authority for information regarding available recycling and/or disposal options. For more information on battery pack recycling call **1-800-8BATTERY**.

### BATTERY PACK PREPARATION FOR RECYCLING

### **WARNING:**

Upon removal, cover the battery pack's terminals with heavy duty adhesive tape. Do not attempt to destroy or disassemble battery pack or remove any of its components. Also, never touch both terminals with metal objects and/or body parts, as short circuit can result. Keep away from children. Failure to comply with these warnings could result in fire and/or serious injury.

### **WARNING:**

Examine string trimmer frequently to assure all parts are unbroken and securely attached. Make sure all screws and fasteners are securely tightened to prevent the risk of serious personal injury.

### CLEANING THE STRING TRIMMER

### **WARNING:**

Battery units do not have to be plugged into an electrical outlet; therefore, they are always in operating condition. To prevent serious personal injury, always remove the battery pack and take extra precautions and care when performing maintenance, cleaning or servicing the unit.

### **WARNING:**

To prevent serious personal injury, remove the battery pack before servicing, cleaning, or removing material from the unit.

- Remove the battery pack.
- Clean the unit using a damp cloth with a mild detergent.
- Do not use any strong detergents on the plastic housing or the handle. They can be damaged by certain aromatic oils such as pine and lemon, and by solvents such as kerosene.
- Moisture can cause a shock hazard. Wipe off any moisture with a soft dry cloth.
- Use a small brush or the air discharge of a small vacuum cleaner brush to clean the air vents on the battery pack housing and motor housing.
- Keep the air vents free of obstructions.

### STORING THE STRING TRIMMER

- Clean the string trimmer thoroughly before storing. Store the string trimmer in a dry, well-ventilated place that is inaccessible to children. Keep away from corrosive agents such as garden chemicals and de-icing salts.
- Store and charge your batteries in a cool area. Temperatures above or below normal room temperature will shorten battery pack life.
- Never store batteries in a discharged condition. Wait for battery pack to cool and charge immediately.
- All batteries gradually lose their charge. The higher the temperature, the quicker they lose their charge. If you store your unit for long periods of time without using it, recharge the batteries every month or two. This practice will prolong battery pack life.

# TROUBLESHOOTING

## BATTERY PACK WILL NOT CHARGE

### POSSIBLE CAUSE

No power to charger or battery pack.  
Battery pack has failed.

### POSSIBLE SOLUTION

Check charger.  
Replace battery pack.

## MOTOR OPERATES SLOWLY OR WILL NOT OPERATE

### POSSIBLE CAUSE

Battery pack is not charged.

### POSSIBLE SOLUTION

Charge battery pack.

## STRING HEAD WILL NOT ADVANCE LINE

### POSSIBLE CAUSE

String head bound with grass.  
String head out of line.  
Spool bound up.  
String head dirty.  
Line welded.  
  
Line twisted when refilled.  
Not enough line is exposed.

### POSSIBLE SOLUTION

Stop the unit and clean string head.  
Refill with new line.  
Replace the spool.  
Clean spool and spool housing.  
Disassemble, remove the welded section and rewind the line.  
Disassemble and rewind the line.  
Push the bump knob and pull out line until 4 inches (102 mm.) of line is outside of the string head.

**If the above solutions don't solve the problem, take the unit to your nearest Homelite Authorized Service Center for service or repair. Do not return the unit to the retailer.**

# PRODUCT SPECIFICATIONS

## UT31810 STRING TRIMMER SPECIFICATIONS

Motor .....	18 Volt DC
Battery Pack .....	Nickel-Cadmium rechargeable, 18 Volt
Charge Rate .....	1 to 1-1/2 hour
String Head .....	Bump Head
Cutting Line Diameter .....	0.065 in. (1.65 mm.)
Cutting Path Diameter .....	9 in. (229 mm)
Weight with Battery pack .....	5.5 lbs. (2.6 kg.)



# HOMELITE PRODUCTS LIMITED WARRANTY

**Homelite Consumer Products, Inc.** warrants to the original retail purchaser that this **HOMELITE®** Product is free from defect in material and workmanship and agrees to repair or replace, at Homelite Consumer Products, Inc.'s discretion, any defective Product free of charge within these time periods from the date of purchase:

- One year for the following units: UT08110, UT20760, UT10901;
- Two years for all other Homelite Products, if the Product is used for personal, family, or household use;
- 90 days, if any of the above Products are used for any other purpose, such as commercial or rental.

This warranty extends to the original retail purchaser only and commences on the date of original retail purchase.

Any part of the **HOMELITE** Product manufactured or supplied by **HOMELITE** and found in the reasonable judgement of **HOMELITE** to be defective in material or workmanship will be repaired or replaced by an authorized **HOMELITE** service dealer without charge for parts and labor.

The **HOMELITE** Product including any defective part must be returned to an authorized service dealer within the warranty period. The expense of delivering the **HOMELITE** Product to the dealer for warranty work and the expense of returning it back to the owner after repair or replacement will be paid for by the owner. **HOMELITE'S** responsibility in respect to claims is limited to making the required repairs or replacements and no claim of breach of warranty shall be cause for cancellation or rescission of the contract of sale of any **HOMELITE** Product. Proof of purchase will be required by the dealer to substantiate any warranty claim. All warranty work must be performed by an authorized **HOMELITE** service dealer.

This warranty is limited to ninety (90) days from the date of original retail purchase for any **HOMELITE** Product that is used for rental or commercial purposes, or any other income-producing purpose.

This warranty does not cover any **HOMELITE** Product that has been subject to misuse, neglect, negligence, or accident, or that has been operated in any way contrary to the operating instructions as specified in the **HOMELITE** Operator's Manual. This warranty does not apply to any damage to the **HOMELITE** Product that is the result of improper maintenance or to any **HOMELITE** Product that has been altered or modified so as to adversely affect the products operation, performance or durability or that has been altered or modified so as to change its intended use. The warranty does not extend to repairs made necessary by normal wear or by the use of parts or accessories which are either incompatible with the **HOMELITE** Product or adversely affect its operation, performance or durability.

In addition, this warranty does not cover:

- A. Tune-ups – Spark Plugs, Carburetor Adjustments, Filters
- B. Wear Items – Bump Knobs, Outer Spools, Cutting Line, Inner Reels, Starter Pulley, Starter Ropes, Drive Belts.

**HOMELITE** reserves the right to change or improve the design of any **HOMELITE** Product without assuming any obligation to modify any product previously manufactured.

**ALL IMPLIED WARRANTIES ARE LIMITED IN DURATION TO THE STATED WARRANTY PERIOD. ACCORDINGLY, ANY SUCH IMPLIED WARRANTIES INCLUDING MERCHANTABILITY, FITNESS FOR A PARTICULAR PURPOSE, OR OTHERWISE, ARE DISCLAIMED IN THEIR ENTIRETY AFTER THE EXPIRATION OF THE APPROPRIATE TWO-YEAR, ONE-YEAR, OR NINETY DAY WARRANTY PERIOD. HOMELITE'S OBLIGATION UNDER THIS WARRANTY IS STRICTLY AND EXCLUSIVELY LIMITED TO THE REPAIR OR REPLACEMENT OF DEFECTIVE PARTS AND HOMELITE DOES NOT ASSUME OR AUTHORIZE ANYONE TO ASSUME FOR THEM ANY OTHER OBLIGATION. SOME STATES DO NOT ALLOW LIMITATIONS ON HOW LONG AN IMPLIED WARRANTY LASTS, SO THE ABOVE LIMITATION MAY NOT APPLY TO YOU.**

**HOMELITE ASSUMES NO RESPONSIBILITY FOR INCIDENTAL, CONSEQUENTIAL OR OTHER DAMAGES INCLUDING, BUT NOT LIMITED TO EXPENSE OF RETURNING THE HOMELITE PRODUCT TO AN AUTHORIZED SERVICE DEALER AND EXPENSE OF DELIVERING IT BACK TO THE OWNER, MECHANIC'S TRAVEL TIME, TELEPHONE OR TELEGRAM CHARGES, RENTAL OF A LIKE PRODUCT DURING THE TIME WARRANTY SERVICE IS BEING PERFORMED, TRAVEL, LOSS OR DAMAGE TO PERSONAL PROPERTY, LOSS OF REVENUE, LOSS OF USE OF THE PRODUCT, LOSS OF TIME, OR INCONVENIENCE. SOME STATES DO NOT ALLOW THE EXCLUSION OR LIMITATION OF INCIDENTAL OR CONSEQUENTIAL DAMAGES, SO THE ABOVE LIMITATION OR EXCLUSION MAY NOT APPLY TO YOU.**

This warranty gives you specific legal rights, and you may also have other rights which vary from state to state.

This warranty applies to all **HOMELITE** Products manufactured by **HOMELITE** and sold in the United States and Canada.

To locate your nearest service dealer, dial 1-800-242-4672 or log on to our website at [www.homelite.com](http://www.homelite.com).

