

FUNCTION

The Computer Interface Module, model UMC, is used to exchange digital commands between a PC (personal computer) or server/gateway and UPB (Universal Powerline Bus) devices in the home. The module communicates these commands over the AC power wiring. The following model is available:

UMC-DB9: Serial RS-232 interface, DB9 connector

UPB devices can be freely located anywhere in the home. No additional wiring is required and no radio frequency signals are used.

IMPORTANT SAFETY INSTRUCTIONS

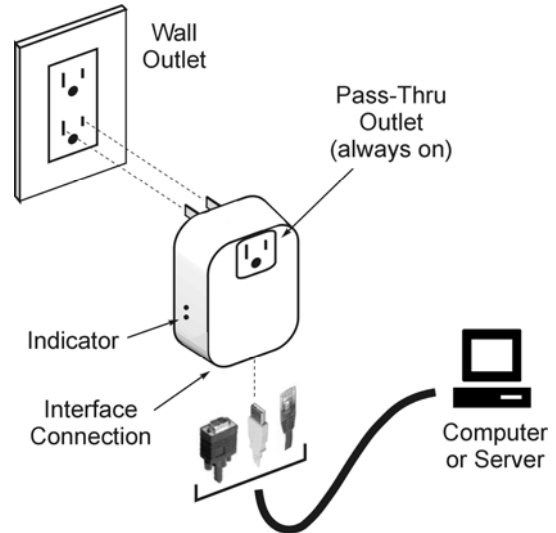
When using electrical products, basic safety precautions should always be followed, including the following:

1. READ AND FOLLOW ALL SAFETY INSTRUCTIONS.
2. Keep away from water. If product comes into contact with water or other liquid, unplug immediately.
3. Never use products that have been dropped or damaged.
4. Do not use this product outdoors.
5. Do not use this product for other than its intended use.
6. To avoid risk of fire, burns, personal injury and electric shock, install this product out of reach of small children.
7. Do not cover the product with cloth, paper or any material when in use.
8. This product uses polarized plugs and sockets (one blade is wider than the other) as a feature to reduce the risk of electric shock. These plugs and sockets fit only one way. If they do not fit, contact a qualified technician. Do not use with an extension cord unless plugs can be fully inserted. Do not alter or replace plugs.
9. SAVE THESE INSTRUCTIONS.

INSTALLATION

The Computer Interface Module is designed for indoor use.

1. Plug the Computer Interface Module into a 120-volt outlet near the computer or server (see illustration).
2. Connect the supplied interface cable to the socket on the **bottom** of the module. Connect the other end of this cable to the appropriate data port on the computer or controller.
3. If desired, any electrical device can be plugged into the socket on the **front** of the module, which is always powered.



OPERATION

The Computer Interface Module exchanges UPB messages between the powerline and the connected computer or controller. The indicator on the module will glow AMBER when powered and flash RED during messaging.

The interface has two operating modes: MESSAGE mode and PULSE mode. The last-used operational mode is retained during power interruption. UPStart software automatically sets the interface to PULSE mode operation, but most controllers require MESSAGE mode. To restore MESSAGE mode operation...

1. Place the UMC in SETUP mode by pressing the Program Switch (located just above the indicator) five times rapidly using a non-metallic toothpick. The indicator will continuously blink RED.
2. Reset to MESSAGE mode by pressing the Program Switch ten times. The indicator will continuously blink GREEN.
3. Press the Program Switch twice to exit SETUP mode.



CAUTION: Do not insert metal objects into the module while it is connected to power.