



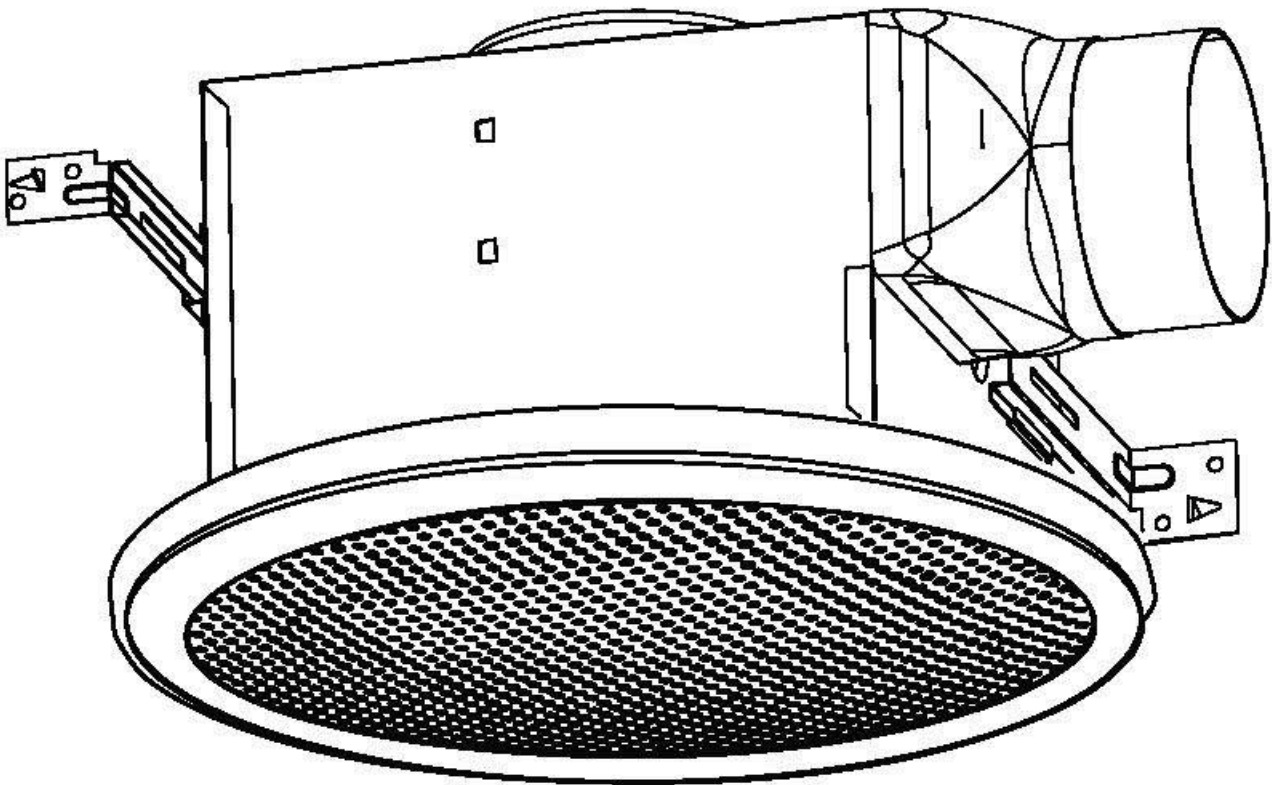
Home NetWerks

SIMPLE SOLUTIONS FOR A SMARTER HOME

# VENTILATING BATH FAN WITH BLUETOOTH® SPEAKER

MODEL #7130-06-BT

Español p. 14



U.S. Pat. No. 9,398,357

The BLUETOOTH® word mark and logos are registered trademarks owned by BLUETOOTH SIG, Inc. and any use of the said mark by Homewerks Worldwide is under license. Other trademark and trade names are those of their respective owners.



**Questions, problems, missing parts?** Before returning to your retailer, call our customer service department at 1-877-319-3757, 8 a.m. - 5 p.m., CST, Monday - Friday.

**READ AND SAVE THESE INSTRUCTIONS**

## TABLE OF CONTENTS

Product Specifications .....	2
FCC Compliance .....	2
Package Contents .....	3
Hardware Contents.....	3
Safety Information .....	4
Preparation .....	4
New Construction Assembly Instructions .....	6
Existing Construction Assembly Instructions .....	7
BLUETOOTH® Speaker Fan Grille Installation .....	9
Pairing Light Switch with Fan .....	10
Pairing your BLUETOOTH® Device to the Speaker .....	10
BLUETOOTH® Speaker and Fan Operation.....	10
Care and Maintenance .....	11
Troubleshooting .....	13
Warranty .....	13

## PRODUCT SPECIFICATIONS

SPECIFICATIONS	SPECIFICATIONS
Airflow: 100 CFM	Motor power consumption: 28.8 W
120V, 60Hz	Exhaust fan speed: 920 RPM
Duct diameter: 4 in.	Weight: 11.88 lbs.
Sound output: 1.5 Sones	

## FCC COMPLIANCE

This equipment complies with FCC RF radiation exposure limits set forth for an uncontrolled environment.

This device complies with part 15 of the FCC rules. Operation is subject to the following two conditions: (1) this device may not cause harmful interference, and (2) this device must accept any interference received, including interference that may cause undesired operation.

**NOTE:** The manufacturer is not responsible for any radio or TV interference caused by unauthorized modifications or changes to this equipment. Such modifications or changes could void the user's authority to operate the equipment.

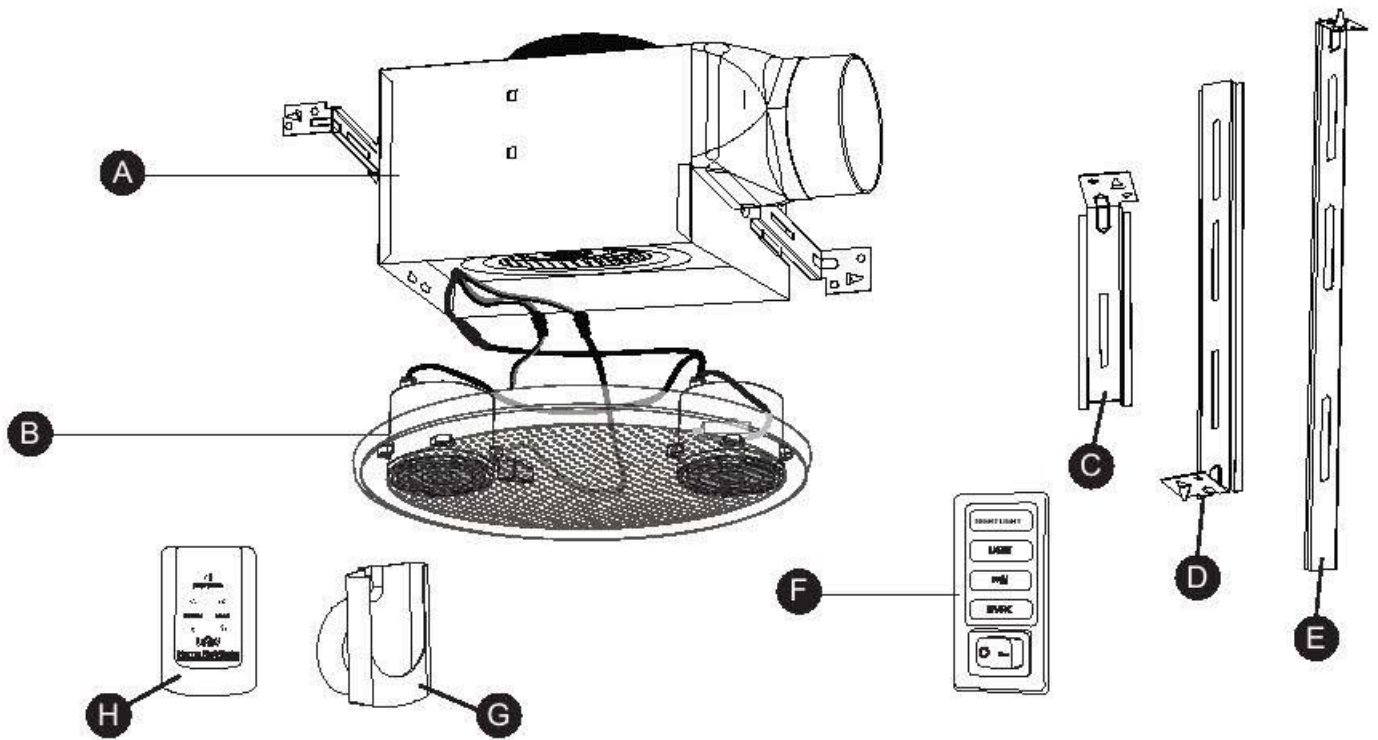
**NOTE:** This equipment has been tested and found to comply with the limits for a Class B digital device, pursuant to part 15 of the FCC Rules. These limits are designed to provide reasonable protection against harmful interference in a residential installation. This equipment generates uses and can radiate radio frequency energy and, if not installed and

used in accordance with the instructions, may cause harmful interference to radio communications. However, there is no guarantee that interference will not occur in a particular installation. If this equipment does cause harmful interference to radio or television reception, which can be determined by turning the equipment off and on, the user is encouraged to try to correct the interference by one or more of the following measures:

- Reorient or relocate the receiving antenna.
- Increase the separation between the equipment and receiver.
- Connect the equipment into an outlet on a circuit different from that to which the receiver is connected.
- Consult the dealer or an experienced radio/TV technician for help.

Changes or modifications made to this equipment not expressly approved by Homewerks Worldwide, LLC may void the FCC authorization to operate this equipment.

## PACKAGE CONTENTS



PART	DESCRIPTION	QTY
A	Fan body	1
B	Grille w/BLUETOOTH® speakers and light	1
C	Suspension Bracket I	1
D	Suspension bracket II	1

PART	DESCRIPTION	QTY
E	Suspension Bracket III	1
F	Wall switch	1
G	Remote control	1
H	Remote control holder and suction cup	1

## HARDWARE CONTENTS (not actual size)



M4x30  
Qty. 8



M4x2  
Qty. 2



M4x10  
Qty. 1



## SAFETY INFORMATION

---

Please read and understand this entire manual before attempting to assemble, operate or install the product.

1. Always disconnect the power supply prior to servicing the fan, motor or junction box.
2. Installation work must be carried out by a qualified person(s) in accordance to all local and safety codes including the rules for fire-rated construction.
3. Follow all local building, safety and electrical codes as well as NEC (National Electrical Code) and OSHA (Occupational Safety and Health Act).
4. Electric Service supply must be 120 volts, 60 hertz.
5. This unit must be properly grounded.
6. Do not bend or kink the power wires.
7. Exercise care to not damage existing wiring when cutting or drilling into walls or ceilings.
8. Sufficient air supply is required for proper combustion and the exhaustion of gases through the chimney (flue) of fuel burning equipment to prevent back-drafting. See the standards of NFPA (National Fire Protection Association) and ASHRAE (American Society for Heating Refrigeration and Air Conditioning Engineers) and the local building code authorities.
9. Do not use this fan with any solid state control device, such as a remote control, dimmer switch, or certain timers. Mechanical timers are not solid state devices.
10. This ventilation fan is approved for use over a bathtub or shower when installed in a GFCI protected circuit. Do not use fans over a bathtub or shower that are not approved for that application and marked accordingly.
11. Do not install in a cooking area.
12. Do not use to exhaust hazardous or explosive vapors.
13. Fans should always be vented to the exterior and in compliance with local codes.
14. Do not install in a ceiling with insulation greater than R42.
15. Duct work should be installed in a straight line with minimal bends.
16. Duct work size must be the same size as the discharge and should not be reduced. Reducing the duct size may increase fan noise.
17. Prior to service or cleaning this unit, shut off power supply at the panel and lock to prevent the power from being turned on. If the panel cannot be locked, clearly mark the panel with a warning tag to prevent the power from being turned on.
18. Use this unit in the manner intended by the manufacturer. If you have any questions. Please call customer service.
19. The fan is intended to be mounted at least 7 ft. above the floor.

## PREPARATION

---

Before beginning assembly of product, make sure all parts are present. Compare parts with package contents list and hardware contents. If any part is missing or damaged, do not attempt to assemble the product. Contact customer service for replacement parts at 1-877-319-3757, 8 a.m. - 5 p.m., CST, Monday - Friday.

## PREPARATION

Tools Required for Assembly (not included): Hammer, Flathead Screwdriver, Wire Nuts, Nails, Duct Tape, Phillips Head Screwdriver, Utility Knife or Drywall Saw,

Helpful Tools (not included): Electric Drill, Drill Bits

**WARNING: Turn off electricity at breaker box before beginning installation.**

Carefully remove unit from carton.

**\*Before removing your current ventilation unit, verify your switch box on the wall has the required supply wires necessary for this install. These supply wires are power/black and neutral/white (refer to right side of wiring diagram below) at the switch. If you do not see both of these wires, consult a licensed electrician for install.**

Check area above installation location to be sure that wiring can run to the planned location and that duct work can be run and the area is sufficient for proper ventilation.

Inspect duct work and wiring before proceeding with installation.

Before installation, provide inspection and future maintenance access at a location that will not interfere with installation work.

You may need the help of a second person to install this fan; one person on the attic side and one on the room side.

Note: Installations may vary depending on how the previous bath fan was installed. Supplies necessary for the installation of your bath fan are not all included; however, most are available at your local home improvement or hardware store.

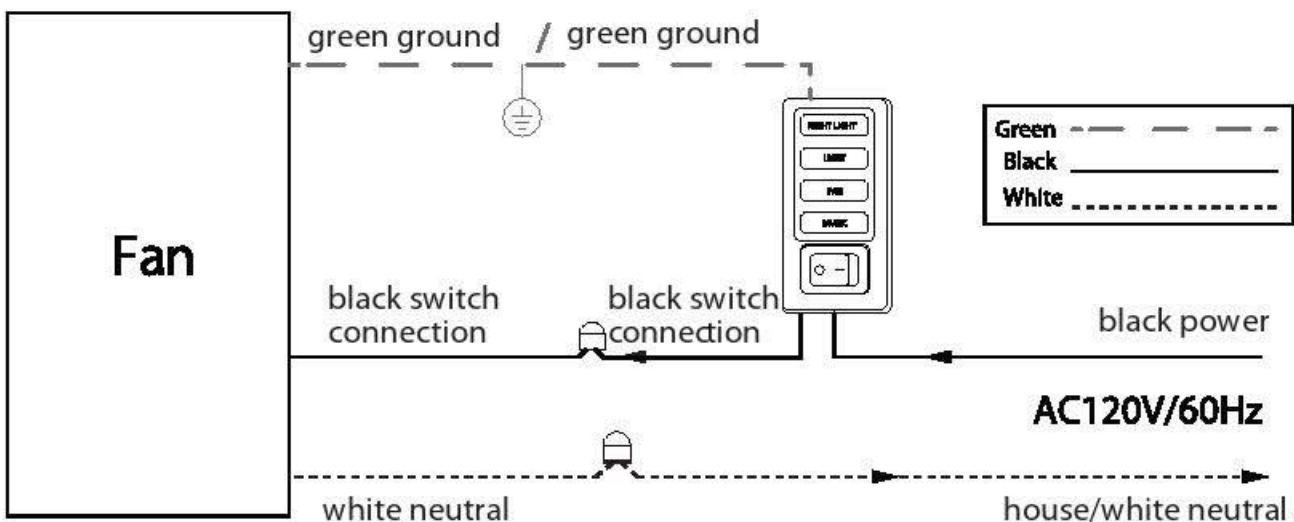
## DIMENSIONS REQUIREMENTS

Ceiling Opening (L)	Ceiling Opening (W)	Ceiling Opening (H)
9.4 in.	9.4 in.	7.4 in.

Housing Dimension (L)	Housing Dimension (W)	Housing Dimension (H)
9.25 in.	9.25 in.	7.375 in.

## WIRING DIAGRAM

All wiring must be connected for full functionality. Do not use metal wall plate with switch.

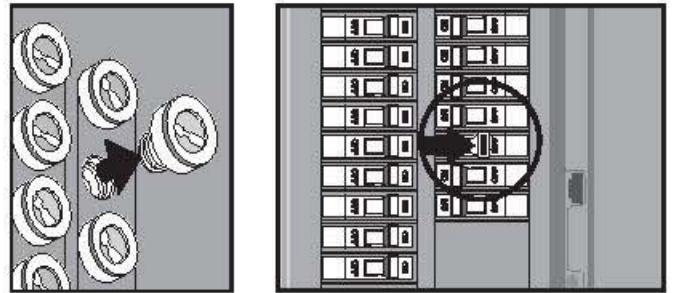


## ASSEMBLY INSTRUCTIONS

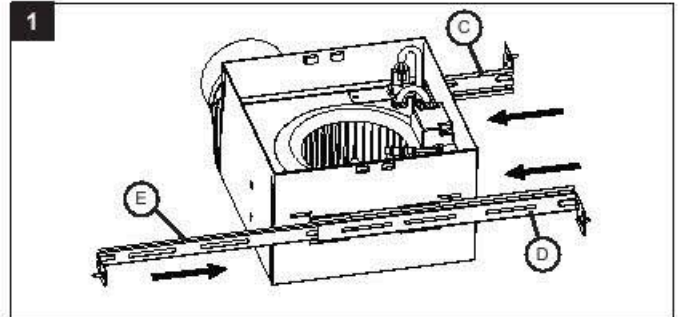
### NEW CONSTRUCTION – ATTACHING TO THE JOIST

#### BEFORE INSTALLATION

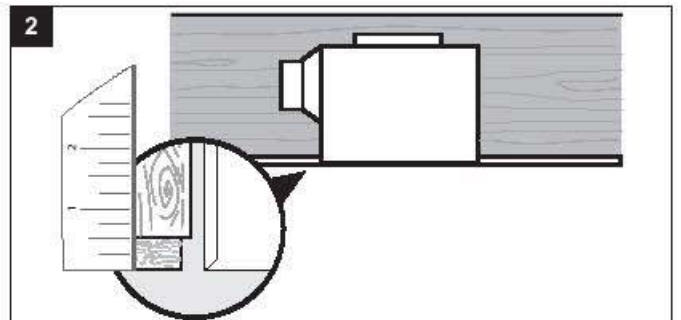
Turn off power source. Review all safety precautions.



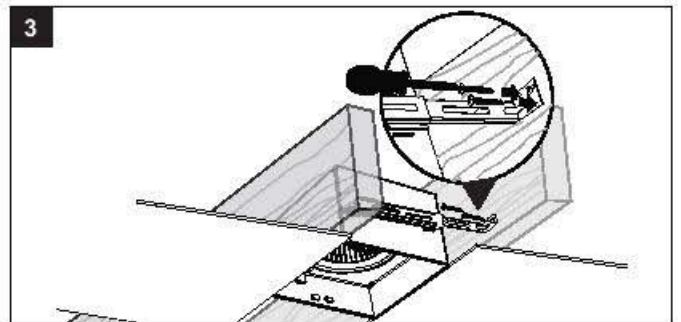
1. Insert suspension bracket onto fan housing using suspension bracket I (C) and II (D). If spacing between joists is 21.5 in. to 23.5 in. attach suspension bracket III (E).



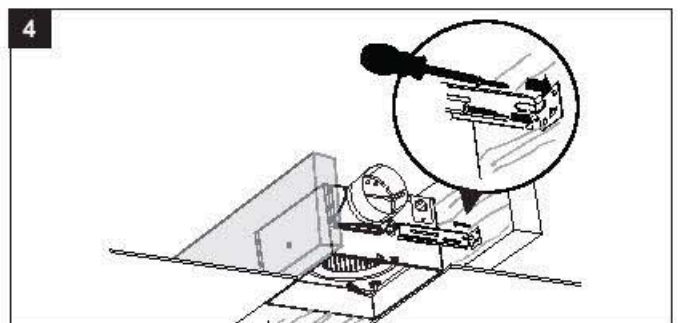
2. Position fan housing so edge of fan is flush with sheetrock. Do not flush mount housing with joist.



3. Secure the fan housing to joist with suspension brackets using (AA) (included). (Joist spacing of less than 21.25 in.)

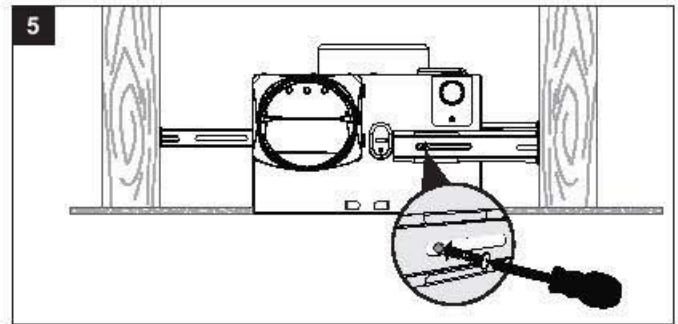


4. Mounting with joist spacing of 21.25 in. to 23.5 in.



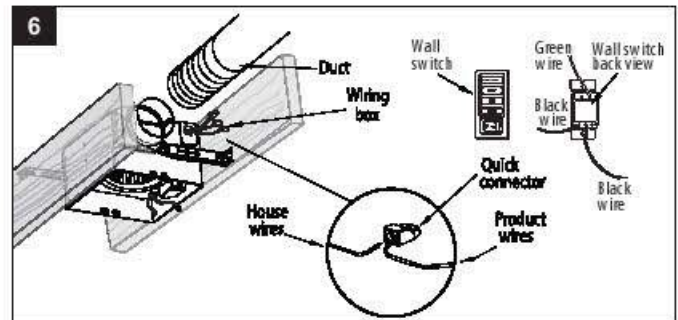
## ASSEMBLY INSTRUCTIONS

5. Secure the suspension bracket I (C) to fan housing using screw (CC) (included). Secure suspension brackets (D & E) with screws (BB) (included).



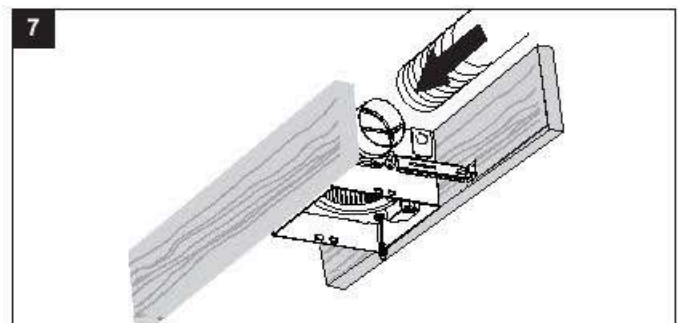
6. Remove junction box cover. As shown in wiring diagram on page 5, using quick connect ports connect house wires to switch and fan.

Note: Do not use metal wall plate with the switch, as it may cause interference with the fan operation.



7. Connect a 4 in. circular duct and vent to the outside. Secure it with duct tape or clamp.

Turn on power source.

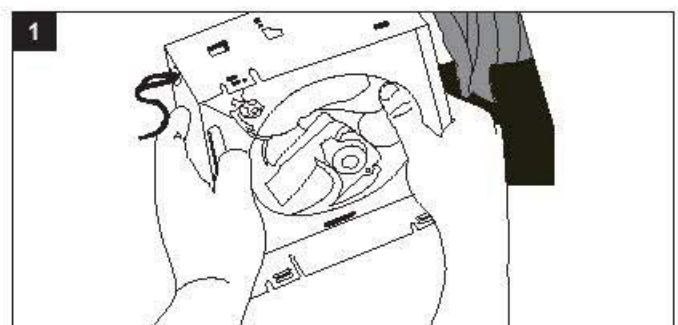
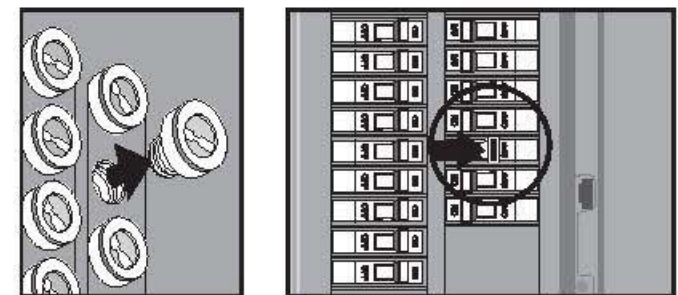


## EXISTING CONSTRUCTION – ACCESSIBLE FROM ABOVE

### BEFORE INSTALLATION

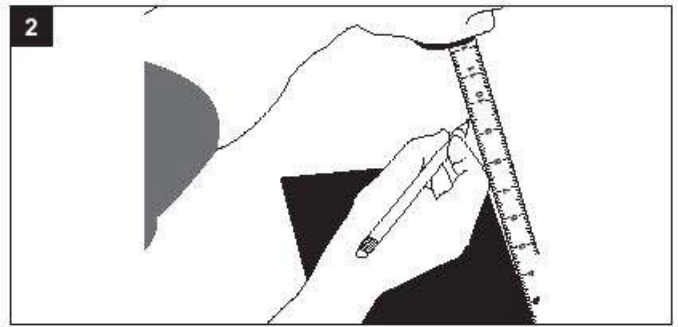
Turn off power source. Review all safety precautions.

1. Remove existing fan.

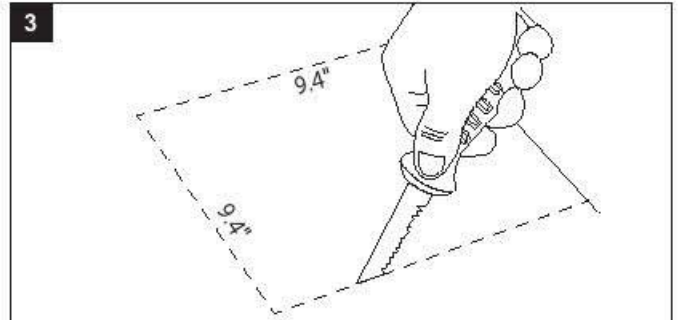


## ASSEMBLY INSTRUCTIONS

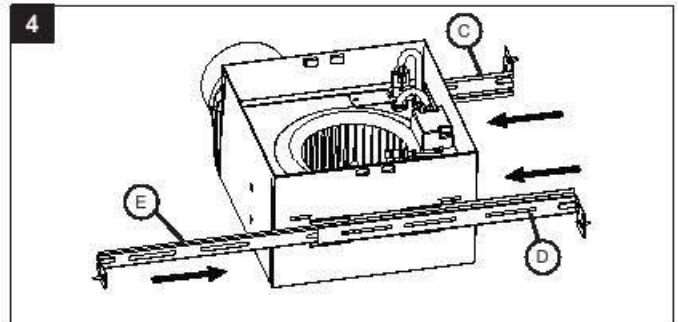
2. Measure the opening to assure it is large enough to accommodate the new fan housing (9.4 in. x 9.4 in.).



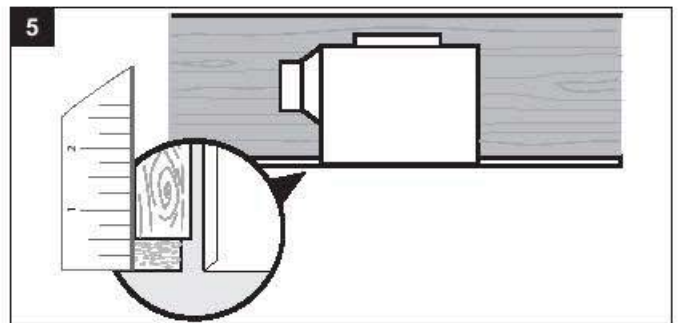
3. If this fan is not replacing an old fan be sure to cut a 9.4 in. x 9.4 in. opening for the fan housing.



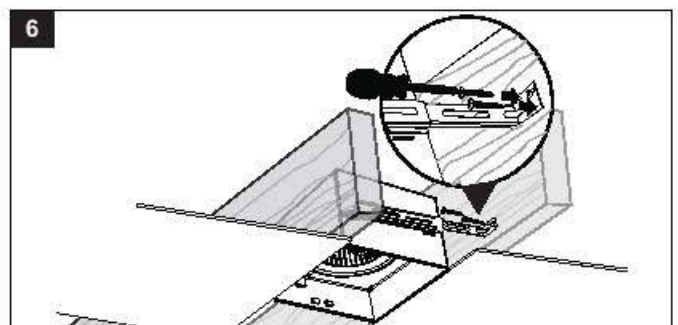
4. Insert suspension bracket onto fan housing using suspension bracket I (C) and II (D). If spacing between joists is 21.5 in. to 23.5 in. attach suspension bracket III (E).



5. Position fan housing so edge of fan is flush with sheetrock. Do not flush mount housing with joist.



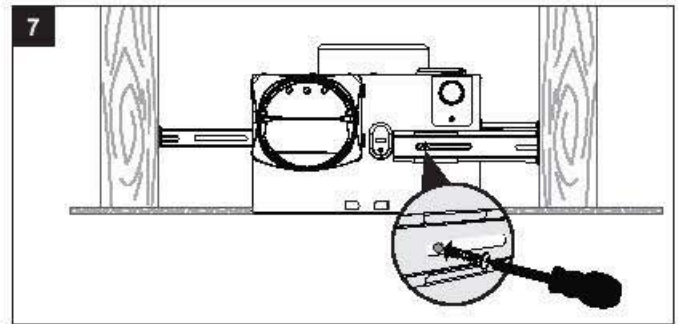
6. Secure the fan housing to joist with suspension brackets using (AA) (included). (Joist spacing of less than 21.25 in.)





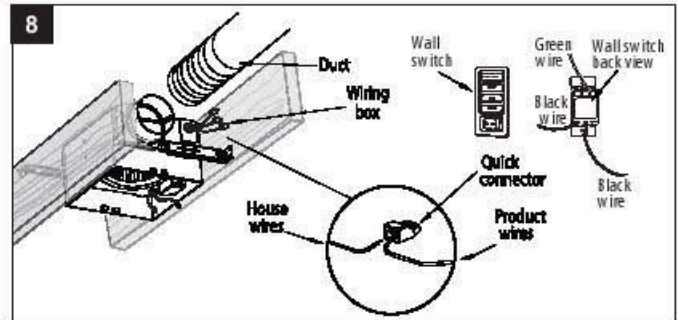
## ASSEMBLY INSTRUCTIONS

7. Secure the suspension bracket I (C) to fan housing using screw (CC) (included). Secure suspension brackets (D & E) with screws (BB) (included).



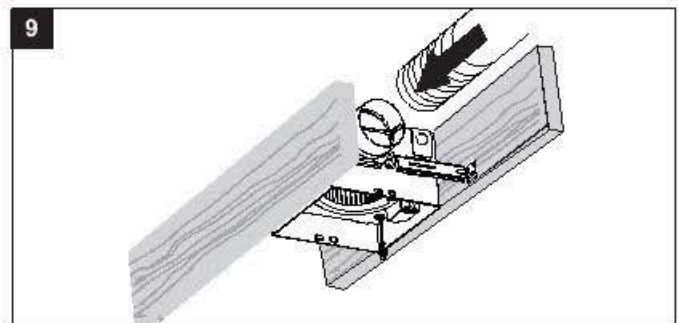
8. Remove junction box cover. As shown in wiring diagram on page 5, using quick connect ports connect house wires to switch and fan.

Note: Do not use metal wall plate with the switch, as it may cause interference with the fan operation.



9. Connect a 4 in. circular duct and vent to the outside. Secure it with duct tape or clamp (not supplied).

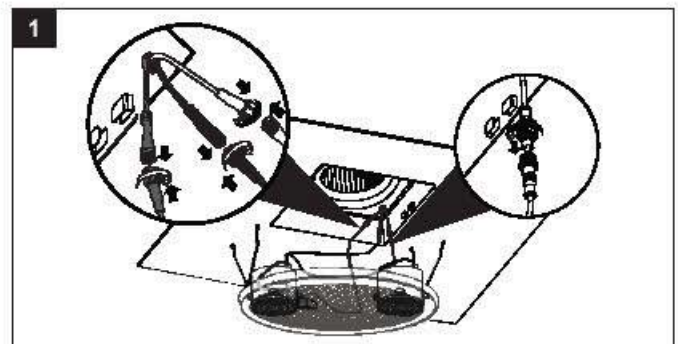
Turn on power source. Test the fan.



## BLUETOOTH® SPEAKER FAN GRILLE INSTALLATION

Housing must be installed flush with ceiling board or the grille mounting spring will not be long enough to insert into the slots inside the fan housing.

1. Join the connectors for the BLUETOOTH® speaker (black wires), light (white wires), and RF receiver (gray wires).

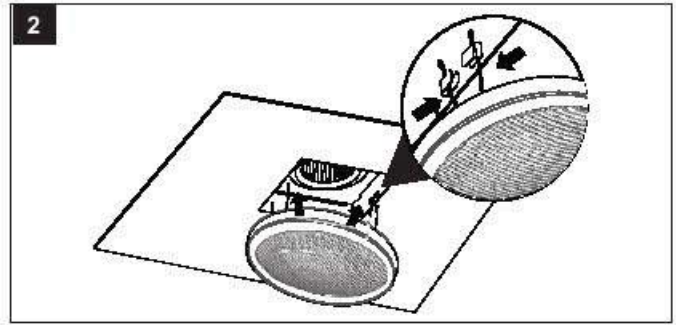


## BLUETOOTH SPEAKER FAN GRILLE INSTALLATION

---

2. Attach grille by pinching mounting springs and insert into narrow rectangular slots in the fan housing.

Turn on power source.



## PAIRING LIGHT SWITCH WITH FAN

---

This is a one-time pairing to be done after turning on the power source.

1. Turn switch to on ON. The white LED light on the fan should be on.
2. Cycle the switch ON & OFF multiple times (pause one second between each cycle) until the blue LED night light on the fan is flashing.
3. While the blue LED night light is flashing, press LIGHT.
4. The blue LED night light will stop flashing and appear as solid blue. The switch is now paired with fan and all four setting buttons on the switch should now be functional. *If the blue LED night light stops flashing and the white LED light is on the pairing was unsuccessful, repeat steps 2-4.*
5. Any combination of settings can be achieved by individually pressing each setting button, except LED light and night light.

EG: LIGHT and FAN will turn on the exhaust fan and LED light.

EG: LIGHT and MUSIC will turn on LED light and Bluetooth speaker.

Should you ever lose pairing between the switch and fan, repeat steps 2-4.

**NOTE: If installing multiple units or you are having an issue pairing the switch to the fan.**

- A. Make sure all toggle switches are in the OFF position.
- B. Cycle the first switch ON and OFF multiple times (pause one second between each cycle) until the blue LED night light on the fan is flashing.
- C. While the blue LED night light is flashing, press MUSIC. The blue LED night light will stop flashing (this will prepare your fan to restart the pairing process).
- D. Once pairing is successful, your pairing is now complete. IF YOU HAVE ANOTHER UNIT turn the fan off and repeat steps A-C for any remaining fans.

## PAIRING YOUR BLUETOOTH® DEVICE TO THE SPEAKER

---

1. To play your personal music files, you need a wireless BLUETOOTH® device.
2. Set your device to a midrange volume before connecting to the speaker.
3. Follow the instructions that came with your BLUETOOTH® device to make it discoverable or to set it to search for other BLUETOOTH® accessories. This may involve entering a passkey or PIN (Personal Identification Number).
4. From the Home screen, choose Settings > BLUETOOTH®, the device searches for Homewerks® speaker.

Note: While your device can maintain multiple pairing records, it can only connect to one accessory at a time. This prevents your device from sending your data to the wrong BLUETOOTH® accessory.

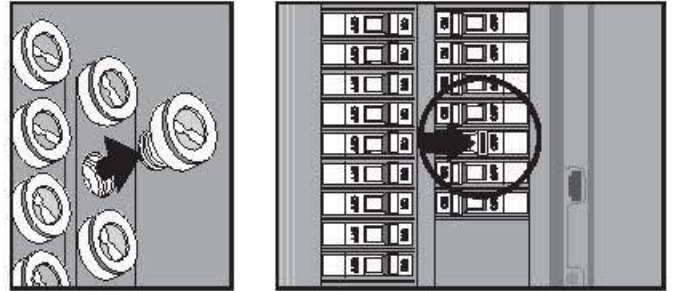
5. Choose the Homewerks® speaker, and then enter a passkey or PIN (0000) if prompted.
6. When pairing is complete, you can use the BLUETOOTH® speaker to play audio with your device.
7. Optimal volume setting for the BLUETOOTH® speaker is 70% or lower. Settings higher than 70% may cause sound distortion.

## CARE AND MAINTENANCE

See safety information before proceeding. Routine maintenance should be done at least once a year.

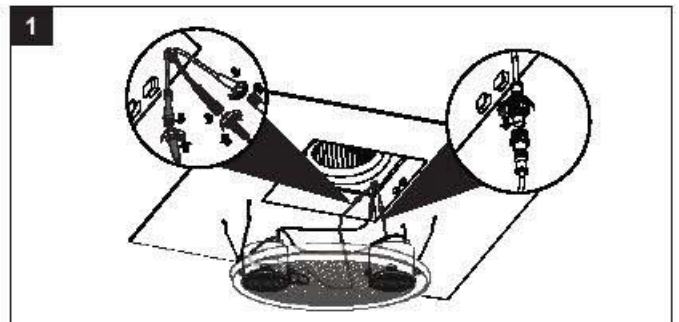
- Never use solvents, thinner or harsh chemicals for cleaning the fan.
- Do not allow water to enter the motor.
- Do not immerse metal parts in water.
- Do not immerse resin parts in water over 140 degrees Fahrenheit.
- Do not immerse BLUETOOTH® speaker in water

Turn off power source. Review all safety precautions.

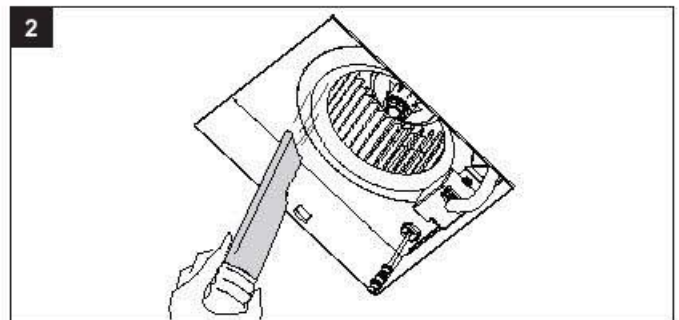


1. Remove grille by squeezing spring and pull down. Wipe clean with damp cloth.

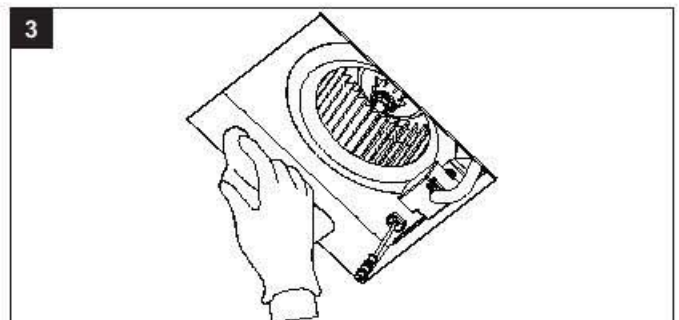
**Caution:** Do not immerse speaker into water.



2. Remove dust and dirt from the fan housing with a vacuum cleaner.



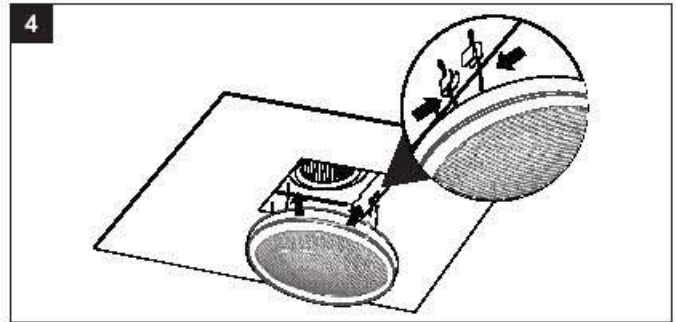
3. Wipe the fan housing with a damp cloth. Dry.



## CARE AND MAINTENANCE

### 4. Replace the BLUETOOTH® speaker and grille.

Turn on power source.



## TROUBLESHOOTING

PROBLEM	POSSIBLE CAUSE	CORRECTIVE ACTION
The fan seems louder than it should	CFM too great	Be sure the CFM rating on the fan matches the size of your room.
	Damper not working properly or damaged	Check damper to ensure it is opening and closing properly. If the damper has become damaged, please call Customer Service.
	Bend in duct too close to fan discharge	Be sure you do not have any sharp bends in duct closer than 18 in. to the fan discharge.
	Fan discharge reduced to fit smaller duct	Use recommended size ducting to reduce fan noise.
The fan is not clearing the room	Fan body not securely attached	Be sure the fan is securely attached to your ceiling joists.
	Insufficient intake airflow within room	Be sure a door or window is slightly ajar or opened to allow airflow. The fan is not able to draw air out of the room without enough airflow to draw from.
The fan is not clearing the room	Insufficient CFM	Be sure the CFM rating on the fan matches the requirements for your room size.  NOTE: Using a tissue is not an accurate method for determining if the fan is operating properly. If the fan clears steam from the room within approximately 15 minutes of completing your shower, then the fan is operating properly.
	Insufficient CFM	Be sure the CFM rating on the fan matches the requirements for your room size.  NOTE: Using a tissue is not an accurate method for determining if the fan is operating properly. If the fan clears steam from the room within approximately 15 minutes of completing your shower, then the fan is operating properly.
Device will not pair	Another device is already paired.	Make sure BLUETOOTH® signal is turned off on other devices.

## FAN – LIMITED 3-YEAR WARRANTY

---

If the fan fails due to a defect in materials or workmanship at any time during the first THREE years of ownership, the manufacturer will replace it free of charge, postage-paid at their option. This warranty does not cover products that have been abused, altered, damaged, misused, cut or worn. This warranty does not cover use in commercial applications. Use only manufacturer-supplied genuine warranty repair replacement parts to repair this fan. Use of non-genuine repair parts will void your warranty. The manufacturer DISCLAIMS all other implied or express warranties including all warranties of merchantability and/or fitness for a particular purpose. As some states do not allow exclusions or limitations on an implied warranty, the above exclusions and limitations may not apply. This warranty gives you specific legal rights, and you may have other rights that vary from state to state.

This warranty is limited to the replacement of defective parts only. Labor charges and/or damage incurred during installation, repair, replacement as well as incidental and consequential damages connected with the above are excluded. Any damage to this product as a result of neglect, misuse, accident, improper installation or use other than the purpose SHALL VOID THIS WARRANTY.

Shipping costs for return product as part of a claim on the warranty must be paid for by the customer.

Inquiries regarding warranty claims can be directed to 1-877-319-3757, 8 a.m. - 5 p.m., CST, Monday - Friday.

## BLUETOOTH® SPEAKER – LIMITED 1-YEAR WARRANTY

---

If the BLUETOOTH® speaker fails due to a defect in materials or workmanship at any time during the first year of ownership, the manufacturer will replace it free of charge, postage-paid at their option. This warranty does not cover products that have been abused, altered, damaged, misused, cut or worn. This warranty does not cover use in commercial applications. Use only manufacturer-supplied genuine warranty repair replacement parts to repair this fan. Use of non-genuine repair parts will void your warranty. The manufacturer DISCLAIMS all other implied or express warranties including all warranties of merchantability and/or fitness for a particular purpose. As some states do not allow exclusions or limitations on an implied warranty, the above exclusions and limitations may not apply. This warranty gives you specific legal rights, and you may have other rights that vary from state to state.

This warranty is limited to the replacement of defective parts only. Labor charges and/or damage incurred during installation, repair, replacement as well as incidental and consequential damages connected with the above are excluded. Any damage to this product as a result of neglect, misuse, accident, improper installation or use other than the purpose SHALL VOID THIS WARRANTY.

Shipping costs for return product as part of a claim on the warranty must be paid for by the customer.

Inquiries regarding warranty claims can be directed to 1-877-319-3757, 8 a.m. - 5 p.m., CST, Monday - Friday.

*This device complies with Industry Canada's service-mark (ESR) Operation is subject to the following two conditions:*

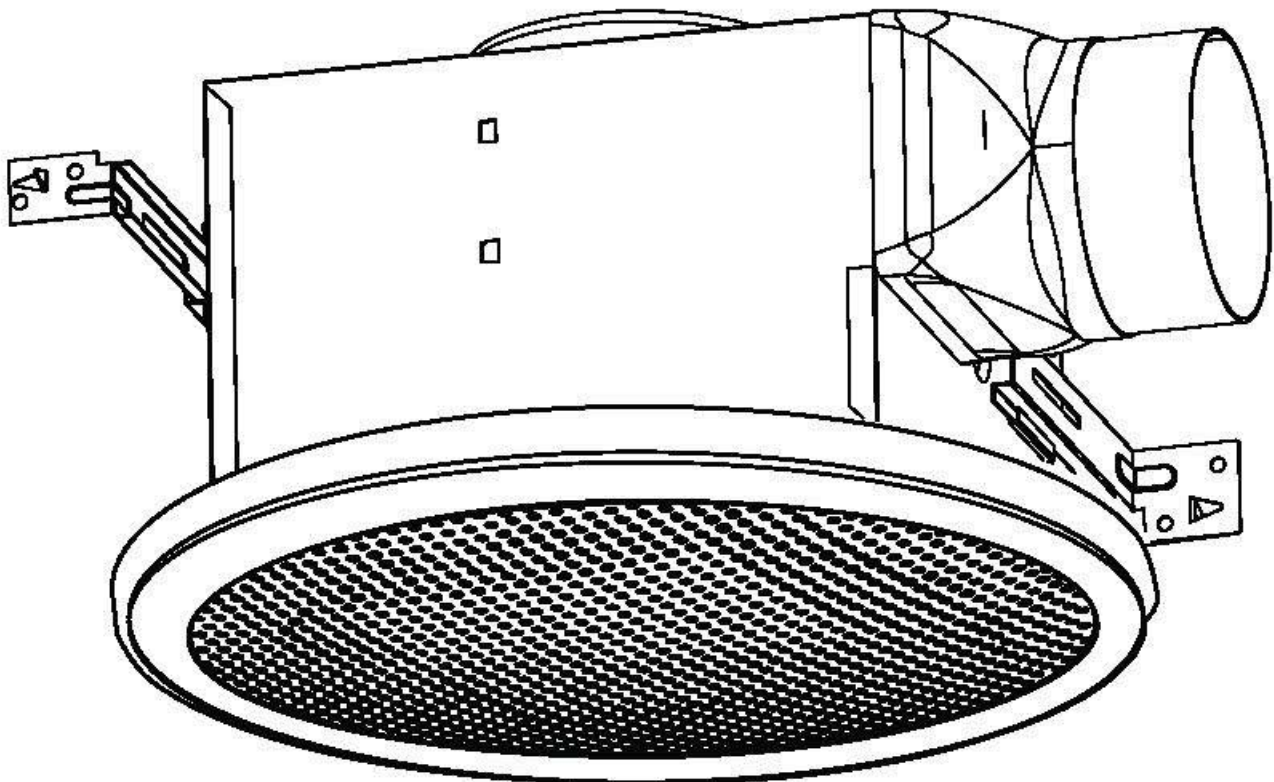
- (1) This device may not cause interference; and*
- (2) This device must accept any interference, including interference that may cause unintended operation of the device.*

*Le présent appareil est conforme aux CNR d'Industrie Canada applicables aux appareils radio exempts de licence. L'opérateur est tenu de respecter les deux conditions suivantes:*

- (1) L'appareil ne doit pas produire de brouillage;*
- (2) L'utilisateur de l'appareil doit accepter tout brouillage radioélectrique subi, même si le brouillage est susceptible d'en compromettre le fonctionnement.*

**VENTILACIÓN DEL  
VENTILADOR DE BAÑO  
CON BLUETOOTH®  
ALTAVOZ**

MODELO #7130-06-BTC



Número de patente de EE.UU. 9,398,357

La marca BLUETOOTH® y sus logotipos son marcas comerciales registradas propiedad de Bluetooth SIG, Inc. y cualquier uso de dicha marca por Homewerks Worldwide es bajo licencia. Otros nombres de marcas y el comercio son de sus respectivos propietarios.



**¿Preguntas, problemas, piezas faltantes? Las preguntas relacionadas con reclamos de la garantía pueden realizarse al 1-877-319-3757, de 8 a. m. a 5 p. m., hora central estándar, de lunes a viernes.**

**LEA Y GUARDE ESTAS INSTRUCCIONES**

## TABLA DE CONTENIDO

Especificaciones del producto.....	15
FCC Conformidad.....	15
Contenido del paquete .....	16
Aditamentos.....	16
Información de seguridad .....	17
Preparación .....	17
Nuevas instrucciones de montaje de la Asamblea.....	19
Instrucciones de montaje existentes de construcción .....	20
BLUETOOTH® Altavoz Ventilador Reja Instalación.....	22
Maridaje Luz Interruptor Con Ventilador.....	23
Sincronización del Dispositivo BLUETOOTH® al Presidente .....	23
Altavoz BLUETOOTH® y el Funcionamiento del Ventilador .....	23
Cuidado y mantenimiento.....	24
Solución de problemas.....	26
Garantía.....	26

## ESPECIFICACIONES DEL PRODUCTO

ESPECIFICACIONES	ESPECIFICACIONES
Flujo de aire: 100 CFM	Consumo eléctrico motor 28.8 W
120V, 60Hz	Velocidad del extractor: 920 RPM
Diámetro del conducto: 10,2 cm	Peso: 5,39 kg
Potencia de sonido: 1.5 sonios	

## FCC CONFORMIDAD

Este equipo cumple con los límites de exposición de radiación RF de la FCC establecidos para un entorno no controlado.

Este dispositivo cumple con la parte 15 de las normas FCC. La operación está sujeta a las siguientes dos condiciones: (1) este dispositivo no puede causar interferencias perjudiciales y (2) este dispositivo debe aceptar cualquier interferencia recibida, incluyendo interferencias que puedan causar un funcionamiento no deseado.

**NOTA:** El fabricante no es responsable de ninguna interferencia de radio o televisión ocasionada por modificaciones o cambios no autorizados a este equipo. Tales modificaciones o cambios podrían anular la autoridad del usuario para operar el equipo.

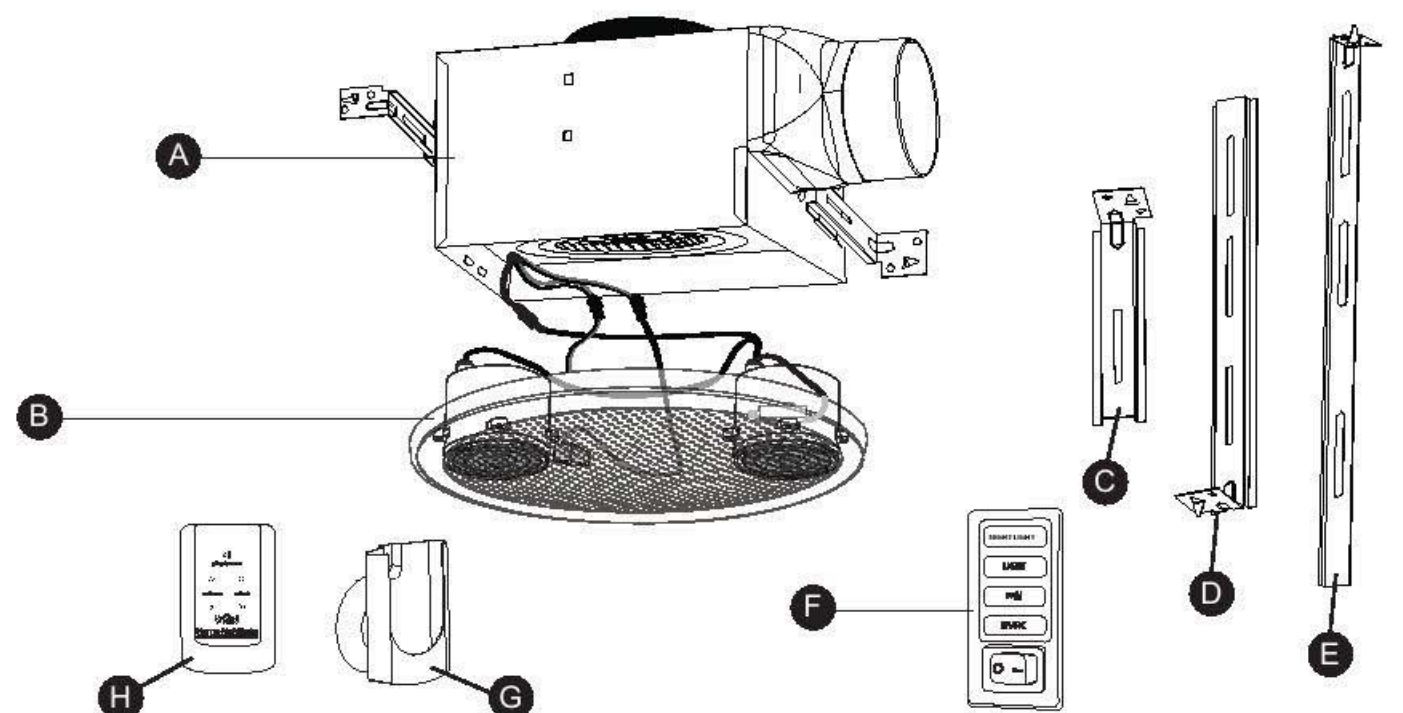
**NOTA:** Este equipo ha sido probado y cumple con los límites para un dispositivo digital de Clase B, según la Parte 15 de la normativa FCC. Estos límites están diseñados para proporcionar una protección razonable contra las interferencias perjudiciales en una instalación residencial. Este equipo genera, utiliza y puede irradiar energía de radiofrecuencia y, si no se instala y utiliza de acuerdo con las instrucciones,

puede causar interferencias perjudiciales en las comunicaciones de radio. Sin embargo, no hay garantía de que no se produzcan interferencias en una instalación en particular. Si este equipo causa interferencias perjudiciales en la recepción de radio o televisión, lo cual puede determinarse apagándolo y encendiéndolo, se recomienda al usuario que intente corregir la interferencia mediante una o más de las siguientes medidas:

- Reorientar o reubicar la antena receptora.
- Aumentar la separación entre el equipo y el receptor.
- Conectar el equipo a un tomacorriente en un circuito diferente de aquel al que está conectado el receptor.
- Consulte al distribuidor o a un técnico de radio/televisión para obtener ayuda.

Los cambios o modificaciones realizados en este equipo sin la aprobación expresa por Homewerks Worldwide, LLC pueden anular la autorización de la FCC para usar este equipo.

## CONTENIDO DEL PAQUETE



PIEZA	DESCRIPCIÓN	CANTIDAD
A	Fan cuerpo	1
B	Rejilla w/altavoces BLUETOOTH® y luz	1
C	Suspensión soporte I	1
D	Suspensión soporte II	1

PIEZA	DESCRIPCIÓN	CANTIDAD
E	Suspensión soporte III	1
F	Interruptor de pared	1
G	Control remoto	1
H	Soporte para control remoto y ventosa	1

## ADITAMENTOS (no es el tamaño real)



M4x30  
Cantidad 8



M4x2  
Cantidad 2



M4x10  
Cantidad 1





## INFORMACIÓN DE SEGURIDAD

---

Lea y comprenda completamente este manual antes de intentar ensamblar, usar o instalar el producto.

1. Desconecte siempre el suministro de electricidad antes de realizar tareas de mantenimiento en el ventilador, el motor o la caja de unión.
2. Se recomienda instalación profesional. El trabajo de instalación debe ser realizada por una persona cualificada (s) de acuerdo con todos los códigos locales y de seguridad, incluyendo las normas de construcción resistente al fuego.
3. Respete todos los códigos locales eléctricos y de seguridad del edificio, además del Código nacional de electricidad (NEC, por sus siglas en inglés) y el de la Administración de Salud y Seguridad Ocupacional (OSHA, por sus siglas en inglés).
4. El suministro de energía eléctrica debe ser de 120 V 60 Hz.
5. Esta unidad debe tener una conexión a tierra adecuada.
6. No doble ni pliegue los conductores de fuerza.
7. Cuando corte o taladre las paredes o el techo, tenga cuidado de no dañar el cableado eléctrico existente.
8. Es necesario un suministro de aire adecuado para que se produzca una combustión apropiada y la extracción de gases a través de chimeneas (tiro) del equipo de combustión para evitar la explosión de flujo de aire en retroceso. Consulte las normas de la Asociación Nacional de Protección contra Incendios (NFPA, por sus siglas en inglés), la Sociedad Americana de Ingenieros para Calefacción, Refrigeración y Aire Acondicionado (ASHRAE, por sus siglas en inglés) y las autoridades del código de construcción local.
9. No use este ventilador con dispositivos de control de estado sólido, por ejemplo, un control remoto, un regulador de intensidad o determinados temporizadores. Los temporizadores mecánicos no son dispositivos de estado sólido.
10. Este ventilador está aprobado para su uso sobre bañeras o duchas cuando se instala con un interruptor de circuitos de falla de conexión a tierra (GFCI, por sus siglas en inglés). No use ventiladores sobre bañeras o duchas que no estén aprobadas ni marcadas para dicha aplicación.
11. No lo instale en áreas de cocina.
12. No lo use para extraer vapores peligrosos o explosivos.
13. Los ventiladores deben contar siempre con una salida al exterior y que cumpla con los códigos locales.
14. No instale en un techo con aislamiento superior a R42.
15. Los componentes para conductos se deben instalar en línea recta, con el mínimo de dobleces.
16. El tamaño de los componentes para conductos debe representar el mismo tamaño de la descarga y no se debe reducir. Puede reducir el tamaño del conducto, pero los tamaños menores pueden incrementar el ruido del ventilador.
17. Antes de realizar tareas de mantenimiento o limpiar la unidad, corte el suministro de electricidad en el panel y bloquéelo a fin de impedir la activación de la alimentación. Si no puede bloquear el panel, márquelo claramente con una etiqueta de advertencia para evitar que otros conecten la alimentación.
18. Use esta unidad solo de la manera prevista por el fabricante. Si tiene preguntas, llame al fabricante (al número del Servicio al Cliente que aparece en la primera página).
19. El ventilador está destinado a ser montado, al menos, 2,1 metros sobre el suelo.

## PREPARACIÓN

---

Antes de comenzar el montaje del producto, asegúrese de que todas las partes estén presentes. Compare las piezas con el paquete de lista de contenido y el contenido de hardware. Si alguna pieza falta o está dañada, no intente ensamblar el producto. Póngase en contacto con el servicio al cliente para las piezas de repuesto al 1-877-319-3757.

## PREPARACIÓN

Herramientas necesarias para el ensamblaje (no incluido): martillo, destornillador de cabeza plana, nueces de alambre, clavos, cinta aislante, Destornillador Phillips, Cuchillo o sierra Drywal

Herramientas útiles (no incluidas): Taladro eléctrico, Brocas

**ADVERTENCIA: Apague la electricidad en la caja de fusibles antes de comenzar la instalación.**

Retire con cuidado la unidad de la caja.

**\*Antes de desconectar su unidad de ventilación de corriente, verifique la caja de interruptores en la pared tiene los cables de alimentación necesaria y suficiente para que esta instalación. Estos cables de suministro de energía son / en blanco y negro y neutro / (véase la parte derecha del diagrama de cableado abajo) en el interruptor. Si no ve estos dos cables, consulte a un electricista autorizado para instalar.**

Revise el área por encima de ubicación de la instalación para asegurarse de que el cableado se puede ejecutar a la ubicación prevista y que los conductos se pueden ejecutar y la zona es suficiente para una ventilación adecuada.

Inspeccione los conductos y el cableado antes de proceder con la instalación.

Antes de la instalación, inspección y proporcionar acceso para el mantenimiento futuro en un lugar que no interfiera con el trabajo de instalación.

Es posible que necesite la ayuda de una segunda persona para instalar este ventilador, una persona en el lado del ático y una en el lado de la habitación.

Nota: Las instalaciones pueden variar dependiendo de cómo el ventilador del baño anterior fue instalado. Suministros necesarios para la instalación de su ventilador del baño no se incluyen, sin embargo, la mayoría están disponibles en su local de mejoras para el hogar o ferretería.

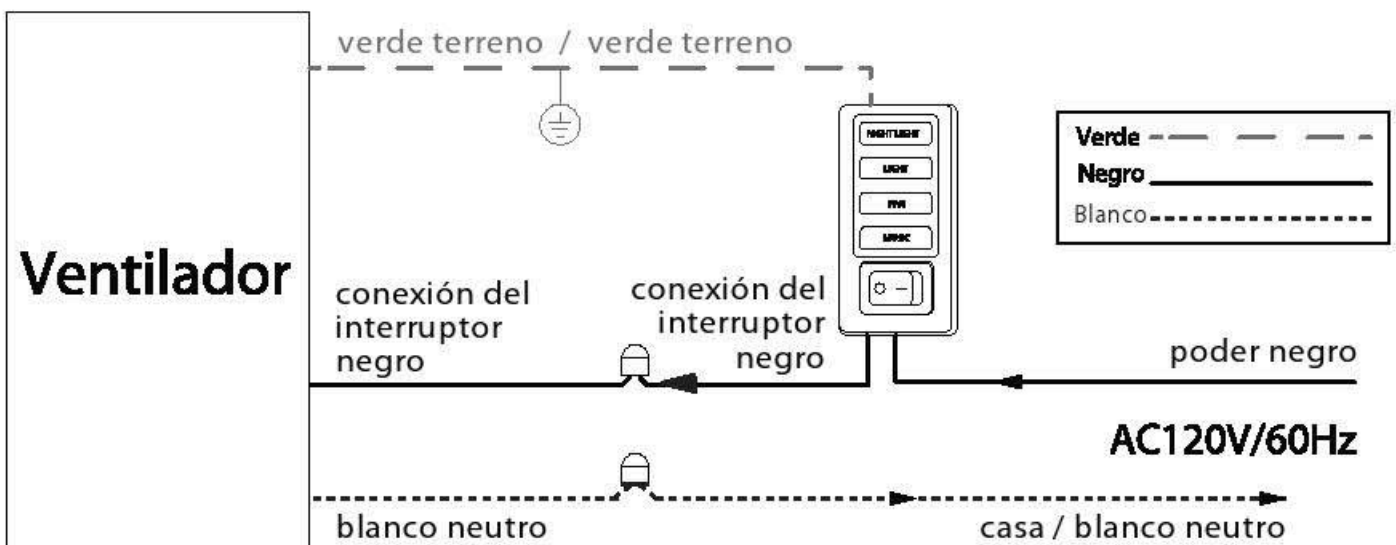
## DIMENSIÓN

Techo Apertura (L)	Techo Apertura (W)	Techo Apertura (H)
23,9 cm	23,9 cm	18,8 cm

Viviendas Dimensión (L)	Viviendas Dimensión (W)	Viviendas Dimensión (H)
23,5 cm	23,5 cm	18,73 cm

## DIAGRAMA DE CABLEADO

Todo el cableado debe estar conectada a la funcionalidad completa. No utilice la placa de pared de metal con el interruptor.

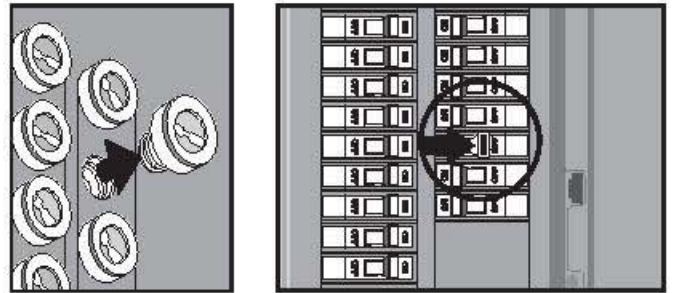


## INSTRUCCIONES DE ENSAMBLAJE

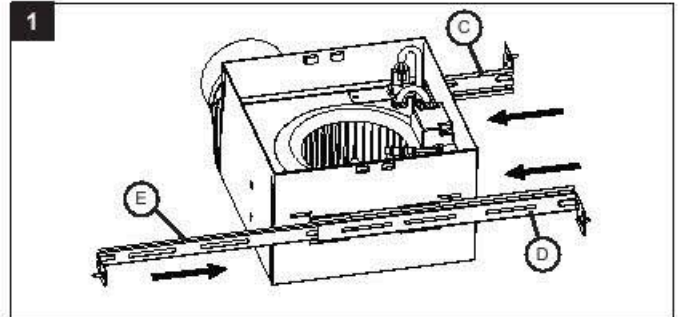
### NUEVA CONSTRUCCIÓN - COLOCACIÓN DE LA VIGA

#### ANTES DE LA INSTALACIÓN

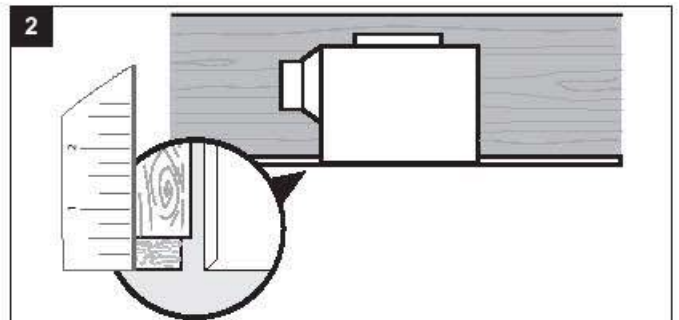
Apague la fuente de poder. Revisar toda la seguridad precauciones.



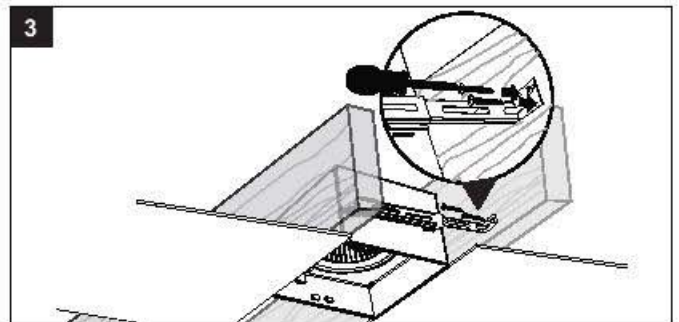
1. Introducir el soporte de suspensión en la cubierta del ventilador con el soporte de suspensión I (C) y II (D). Si el espacio entre las vigas es de 54,6 cm a 59,7 cm adjuntar suspensión III soporte (E).



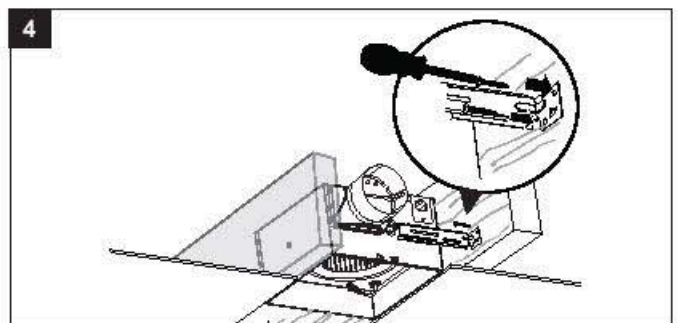
2. Coloque la cubierta de ventilador para ventilador de borde quede al ras con yeso. No echar carcasa de montaje con viga.



3. Fije la caja del ventilador a la viga con soportes de suspensión utilizando tornillos largos para madera (AA) (incluidas). (Espacio entre viguetas de menos de 54 cm)

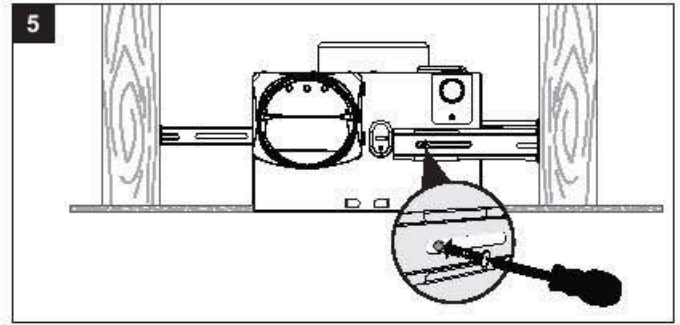


4. Montaje con el espacio de la junta de 54 cm a 59,7 cm.



## INSTRUCCIONES DE ENSAMBLAJE

5. Fije el soporte de suspensión I (C) a la caja del ventilador usando el tornillo de máquina corta (BB) (incluido).

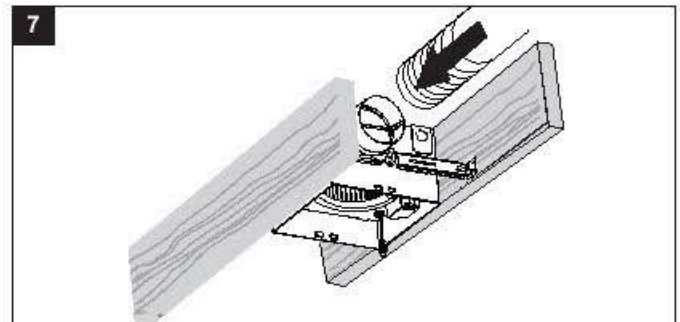
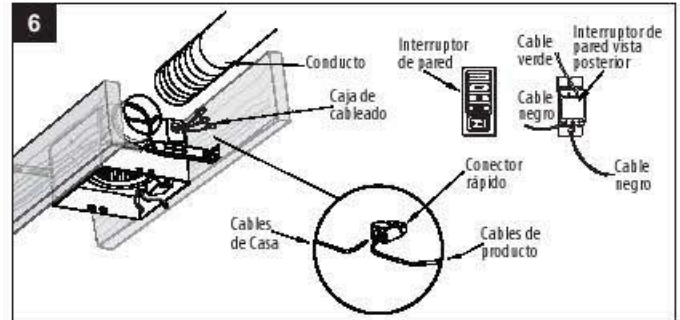


6. Retire la cubierta de la caja de conexiones. Como se muestra en el diagrama de cableado en la página 18, utilizando los puertos de conexión rápida conectan cables de la casa para cambiar y ventilador.

Nota: No utilice la placa de pared de metal con el interruptor, ya que puede causar interferencia con el funcionamiento del ventilador.

7. Conecte un conducto circular de 10,2 cm y ventile hacia el fuera. Asegure con cinta adhesiva o abrazadera.

Encienda la fuente de alimentación. Pruebe el ventilador.

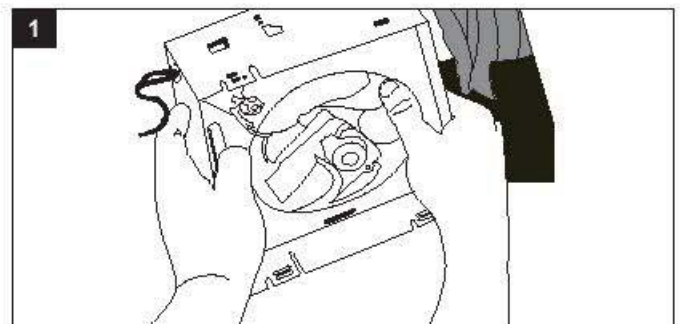
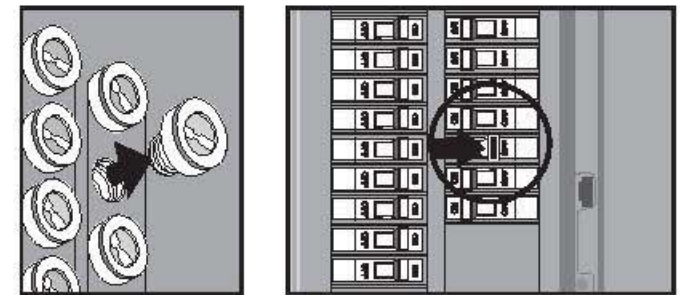


## CONSTRUCCIÓN EXISTENTE - ACCESIBLE DESDE ARRIBA

### ANTES DE LA INSTALACIÓN

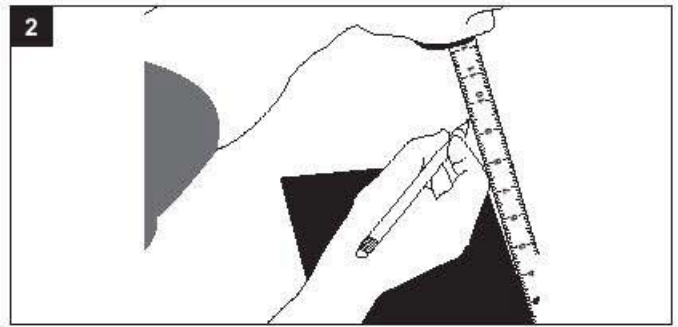
Apague la fuente de poder. Revisar toda la seguridad precauciones.

1. Retire el ventilador existente.

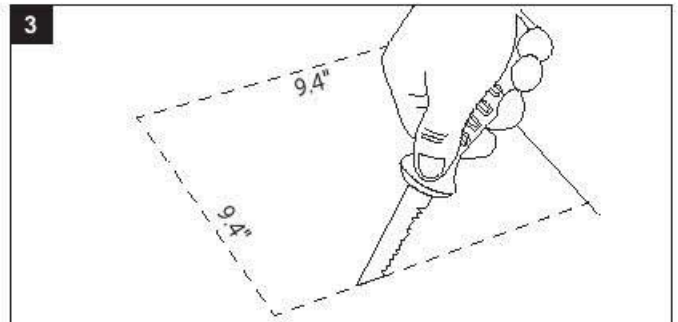


## INSTRUCCIONES DE ENSAMBLAJE

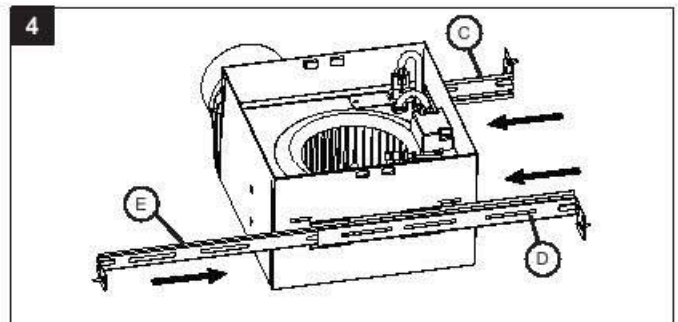
2. Para medir la abertura para asegurar que es suficientemente grande para acomodar el alojamiento del ventilador nuevo (23,9 cm x 23,9 cm).



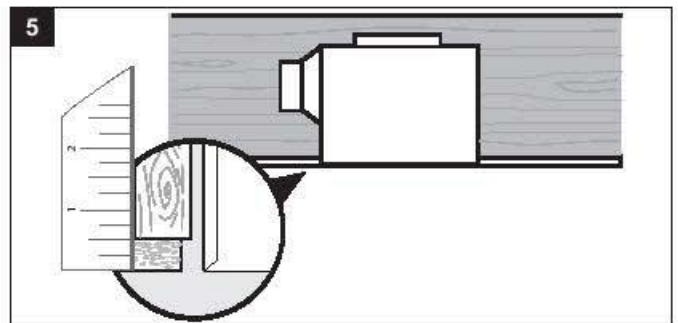
3. Si este ventilador no está reemplazando un viejo ventilador asegúrese de cortar unos 23,9 cm x 23,9 cm apertura de la caja del ventilador.



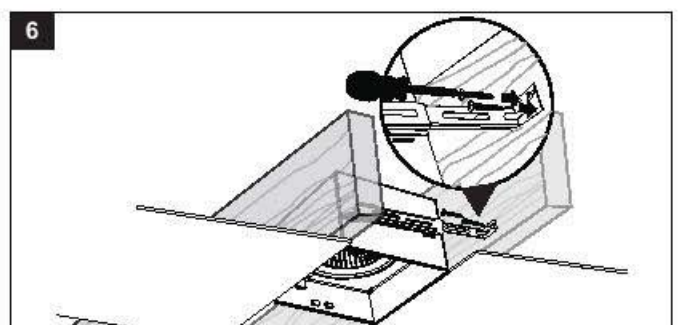
4. Introducir el soporte de suspensión en la cubierta del ventilador con el soporte de suspensión I (C) y II (D). Si el espacio entre las vigas es de 54,6 cm a 59,7 cm adjuntar suspensión III soporte (E).



5. Coloque la cubierta de ventilador para ventilador de borde quede al ras con yeso. No echar carcasa de montaje con viga.

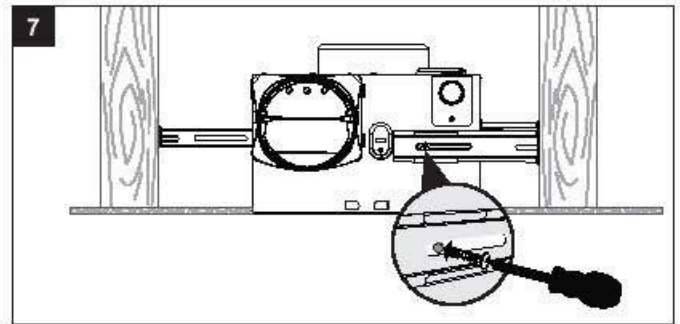


6. Fije la caja del ventilador a la viga con soportes de suspensión utilizando tornillos largos para madera (AA) (incluidas). (Espacio entre viguetas de menos de 54 cm)



## INSTRUCCIONES DE ENSAMBLAJE

7. Fije el soporte de suspensión I (C) a la caja del ventilador usando el tornillo de máquina corta (BB) (incluidas).

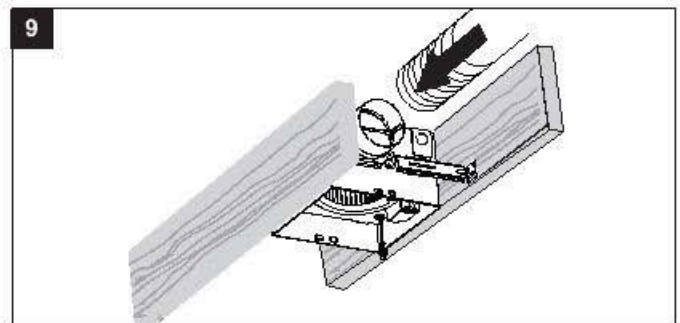
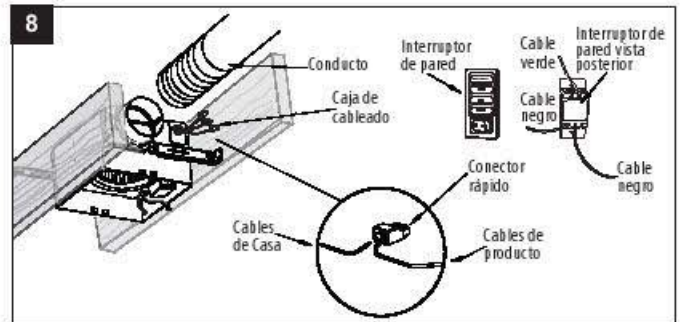


8. Retire la cubierta de la caja de conexiones. Como se muestra en el diagrama de cableado en la página 18, utilizando los puertos de conexión rápida conectan cables de la casa para cambiar y ventilador.

Nota: No utilice la placa de pared de metal con el interruptor, ya que puede causar interferencia con el funcionamiento del ventilador.

9. Conecte un conducto circular de 10,2 cm y ventile hacia el fuera. Asegure con cinta adhesiva o abrazadera.

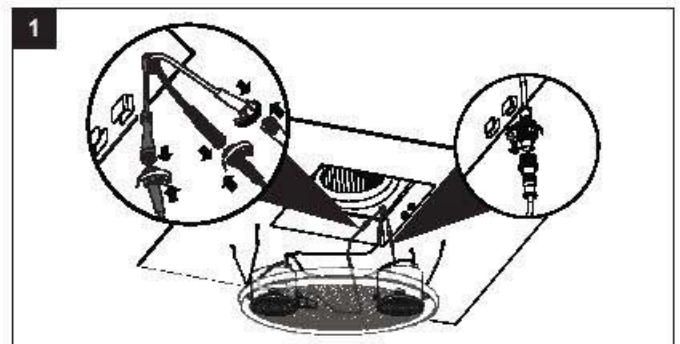
Encienda la fuente de alimentación. Pruebe el ventilador.



## BLUETOOTH® INSTALACIÓN DE ALTAVOCES REJILLA VENTILADOR

La cubierta debe estar instalado a ras con la placa de techo o muelle de la rejilla de montaje no será lo suficientemente largo para insertar en las ranuras del interior de la carcasa del ventilador.

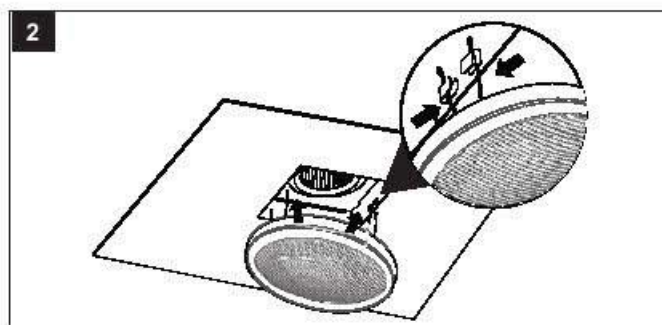
1. Unir los conectores para el BLUETOOTH® altavoz (cables negros), luz (cables blancos) y receptor de RF (cables grises).



## BLUETOOTH® INSTALACIÓN DE ALTAVOCES REJILLA VENTILADOR

2. Coloque la rejilla pellizcando resortes de montaje y se insertan en ranuras rectangulares estrechas en la carcasa del ventilador.

Encienda la fuente de alimentación.



## MARIDAJE LUZ INTERRUPTOR CON VENTILADOR

Se trata de un apareamiento de una sola vez por hacer después de encender la fuente de alimentación.

1. Coloque el interruptor de encendido. La luz LED blanco en el ventilador debe estar encendido.
2. Cicle el interruptor Y FUERA varias veces (una pausa un segundo entre cada ciclo) hasta que el LED azul luz de la noche en el ventilador está parpadeando.
3. Mientras que el indicador LED azul parpadea la noche, pulse LIGHT.
4. La luz azul noche LED dejará de parpadear y aparecerá azul como sólido. El conmutador está sincronizado con el ventilador y los cuatro botones de ajuste en el interruptor de ahora debe ser funcional. Si la luz de la noche azul paradas intermitentes LED y la luz LED blanco está en el emparejamiento tuvo éxito, repita los pasos 2-4.
5. Cualquier combinación de ajustes se puede lograr presionando individualmente cada botón de ajuste, con excepción de luz LED y luz de noche.

EG: luz y el ventilador se encienda el extractor de aire y de luz LED.

EG: luz y la música se encenderá la luz LED y el altavoz Bluetooth.

Si alguna vez perdiese el emparejamiento entre el interruptor y el ventilador, repita los pasos 2-4.

**NOTA: Si la instalación de varias unidades o se están presentando un problema de emparejamiento el interruptor para el ventilador.**

- A. Asegúrese de que todos los interruptores de palanca están en la posición OFF.
- B. Ciclo del primer conmutador ON y OFF varias veces (una pausa un segundo entre cada ciclo) hasta que el LED azul luz de la noche en el ventilador está parpadeando.
- C. Mientras que la luz azul noche LED parpadea, pulse MUSIC. La luz azul de la noche LED deja de parpadear (esto va a preparar su ventilador para reiniciar el proceso de emparejamiento).
- D. Una vez que el emparejamiento es satisfactorio, el emparejamiento se ha completado. Si tiene otro UNIDAD apagar el ventilador y repita los pasos A-C para cualquier fan restantes.

## ACOPLAMIENTO DEL DISPOSITIVO BLUETOOTH® PARA EL ALTAVOZ

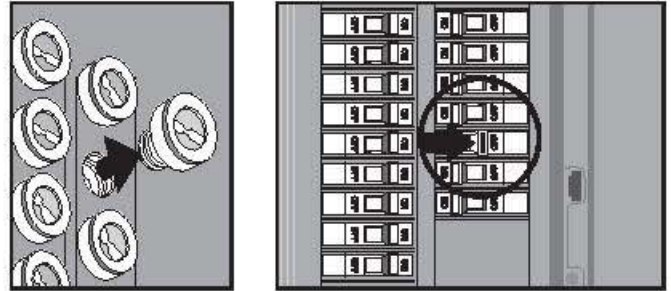
1. Para reproducir los archivos de música personales, se necesita un dispositivo de tecnología inalámbrica BLUETOOTH®.
2. Configurar el dispositivo para un volumen de gama media antes de conectar el altavoz.
3. Siga las instrucciones que vienen con el dispositivo BLUETOOTH®. para que sea reconocible o establecerlo para buscar otros accesorios BLUETOOTH®. Esto puede implicar entrar en una clave de acceso o PIN (Número de identificación personal).
4. En la pantalla Inicio, seleccione Configuración> BLUETOOTH®, el dispositivo busca Homewerks®. altavoces. Nota: Mientras el dispositivo puede mantener varios registros de emparejamiento, sólo puede conectarse a un accesorio a la vez. Esto evita que el dispositivo envíe sus datos al accesorio BLUETOOTH®. equivocado.
5. Elija el Homewerks®. altavoz e introduzca una clave de acceso o PIN (0000) cuando se le solicite.
6. Cuando haya finalizado la sincronización, puede utilizar la conexión BLUETOOTH®. del altavoz para reproducir audio con el dispositivo.
7. Ajuste volumen óptimo para el altavoz BLUETOOTH® es 70% o menos. Ajustes superiores al 70% pueden causar distorsiones en el sonido.

## CUIDADO Y MANTENIMIENTO

Consulte la información de seguridad antes de proceder. El mantenimiento de rutina se debe hacer por lo menos una vez al año.

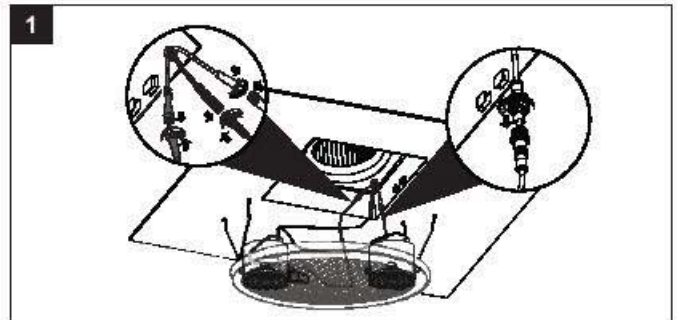
- Nunca utilice solventes, diluyentes o productos químicos agresivos para limpiar el ventilador.
- No permita que el agua entre en el motor.
- No sumerja las piezas de metal en el agua.
- No sumerja las piezas de resina en el agua por encima de 140 grados Fahrenheit.
- No sumerja BLUETOOTH® altavoz en el agua

Apague la fuente de poder. Revisar toda la seguridad precauciones.

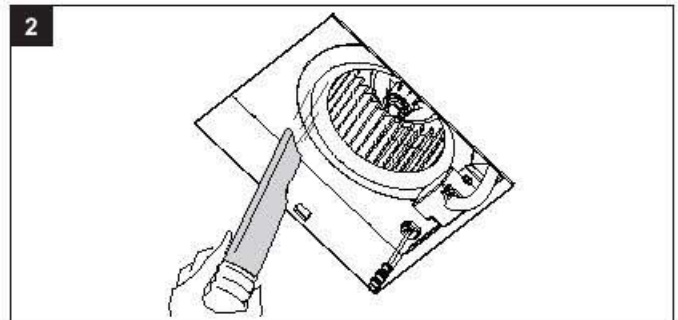


1. Retire la rejilla apretando primavera y tirar hacia abajo. Limpie con un paño húmedo.

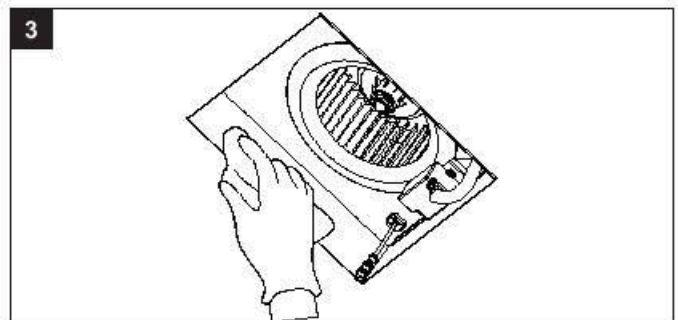
Precaución: No sumerja altavoz en agua.



2. Quitar el polvo y la suciedad de la caja del ventilador con un aspirador.



3. Limpie el alojamiento del ventilador con un paño húmedo. Seco.

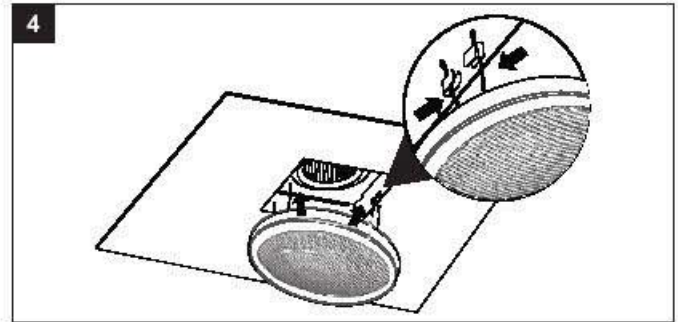




## CUIDADO Y MANTENIMIENTO

4. Vuelva a colocar el altavoz BLUETOOTH® y parrilla.

Encienda la fuente de alimentación.



## SOLUCIÓN DE PROBLEMAS

PROBLEMA	CAUSA POSIBLE	ACCIÓN CORRECTIVA
El ventilador hace más ruido de lo que debería.	CFM demasiado grande	Asegúrese de que la calificación CFM del ventilador coincide con el tamaño de su habitación.
	Amortiguador no funciona correctamente o está dañado	Compruebe amortiguador para asegurarse de que se está abriendo y cerrando correctamente. Si el amortiguador se ha dañado, por favor llame a Servicio al Cliente.
	Doble en el conducto demasiado cerca de descarga del ventilador	Asegúrese de que usted no tiene ningún doblez en cerca del conducto de 18 pulgadas a la descarga del ventilador.
	Descarga del ventilador reducida para que quepa más pequeño conducto	Use el tamaño recomendado conductos para reducir el ruido del ventilador.
	Fan cuerpo no está bien conectado	Asegúrese de que el ventilador está bien conectado a las vigas del techo.
El ventilador no es limpieza de la habitación	La ingesta insuficiente flujo de aire dentro de la sala	Asegúrese de una puerta o ventana está entreabierta o abierta para permitir el flujo de aire. El ventilador no es capaz de extraer el aire de la habitación sin flujo de aire suficiente para aprovechar.
	Insuficiente CFM	Asegúrese de que la calificación CFM del ventilador coincide con los requisitos para el tamaño de su habitación.  NOTA: El uso de un tejido no es un método exacto para determinar si el ventilador está funcionando correctamente. Si el ventilador elimina el vapor de la habitación dentro de unos 15 minutos desde la finalización de la ducha, el ventilador está funcionando correctamente.
Dispositivo no par	Otro dispositivo ya está sincronizado	Asegúrese de que la señal BLUETOOTH® esté desactivada en otros dispositivos

## **FAN – GARANTÍA LIMITADA DE 3 AÑOS**

---

Si este producto falla debido a un defecto en el material o la mano de obra en cualquier momento durante los primeros TRES años de poseerlo, el fabricante lo reemplazará sin cargos y con el franqueo pagado a su discreción. Para obtener información sobre el reemplazo, póngase en contacto con el Servicio al Cliente (1-877-319-3757) o visite nuestro sitio Web, [www.homewerksw.com](http://www.homewerksw.com). Esta garantía no cubre productos que hayan sufrido abusos, modificaciones, daños, uso indebido, cortes o desgaste. Esta garantía no cubre el uso con fines comerciales. Use solo piezas de repuesto genuinas con garantía Homewerks para reparar el ventilador. La utilización de piezas de repuesto no genuinas anulará la garantía. El fabricante RECHAZA todas las demás garantías expresas o implícitas, incluyendo todas las garantías de comerciabilidad e idoneidad para un fin en especial. Debido a que algunos estados no permiten exclusiones o limitaciones en una garantía implícita, las exclusiones y limitaciones anteriores pueden no aplicarse. Esta garantía le otorga derechos legales específicos, pero podría tener también otros derechos que varían según el estado.

Esta garantía se limita solo al reemplazo de piezas defectuosas. Quedan excluidos los cargos y/o daños por mano de obra incurridos durante la instalación, reparación o reemplazo, además de los daños incidentales o resultantes relacionados con estos. Cualquier daño a este producto como resultado de negligencia, uso indebido, accidente, instalación inadecuada o cualquier otro uso distinto al descrito en el presente ANULARÁ ESTA GARANTÍA.

Los costos de envío por cualquier devolución del producto como parte de una reclamación de garantía estarán a cargo del cliente.

Las preguntas relacionadas con reclamos de la garantía pueden realizarse al 1-877-319-3757, de 8 a. m. a 5 p. m., hora central estándar, de lunes a viernes.

## **BLUETOOTH® ALTAVOZ – GARANTÍA LIMITADA DE 1 AÑO**

---

Si el altavoz BLUETOOTH® falla debido a un defecto en materiales o mano de obra en cualquier momento durante el primer año de propiedad, el fabricante lo reemplazará sin cargos y con el franqueo pagado a su discreción. Para obtener información sobre el reemplazo, póngase en contacto con el Servicio al Cliente (1-877-319-3757) o visite nuestro sitio Web, [www.homewerksw.com](http://www.homewerksw.com). Esta garantía no cubre productos que hayan sufrido abusos, modificaciones, daños, uso indebido, cortes o desgaste. Esta garantía no cubre el uso con fines comerciales. Use solo piezas de repuesto genuinas con garantía Homewerks para reparar el ventilador. La utilización de piezas de repuesto no genuinas anulará la garantía. El fabricante RECHAZA todas las demás garantías expresas o implícitas, incluyendo todas las garantías de comerciabilidad e idoneidad para un fin en especial. Debido a que algunos estados no permiten exclusiones o limitaciones en una garantía implícita, las exclusiones y limitaciones anteriores pueden no aplicarse. Esta garantía le otorga derechos legales específicos, pero podría tener también otros derechos que varían según el estado.

Esta garantía se limita solo al reemplazo de piezas defectuosas. Quedan excluidos los cargos y/o daños por mano de obra incurridos durante la instalación, reparación o reemplazo, además de los daños incidentales o resultantes relacionados con estos. Cualquier daño a este producto como resultado de negligencia, uso indebido, accidente, instalación inadecuada o cualquier otro uso distinto al descrito en el presente ANULARÁ ESTA GARANTÍA.

Los costos de envío por cualquier devolución del producto como parte de una reclamación de garantía estarán a cargo del cliente.

Las preguntas relacionadas con reclamos de la garantía pueden realizarse al 1-877-319-3757, de 8 a. m. a 5 p. m., hora central estándar, de lunes a viernes.

IC statement:

This device complies with Industry Canada license-exempt RSS standard(s).

Operation is subject to the following two conditions:

- (1) this device may not cause interference, and
- (2) this device must accept any interference, including interference that may cause undesired operation of the device.

Cet appareil est conforme avec Industrie Canada RSS exemptes de licence standard(s).

Son fonctionnement est soumis aux deux conditions suivantes:

- (1) cet appareil ne peut pas provoquer d'interférences, et
- (2) cet appareil doit accepter toute interférence, y compris celles pouvant causer un mauvais fonctionnement de l'appareil.

This Class B digital apparatus complies with Canadian ICES-003.

Cet appareil numérique de la classe B est conforme à la norme NMB-003 du Canada.